



US00D369182S

United States Patent [19]

Walli, Jr.

[11] Patent Number: **Des. 369,182**

[45] Date of Patent: ****Apr. 23, 1996**

[54] **COMBINED BOOKCOVER AND BINDER THEREFOR**

[76] Inventor: **Charles R. Walli, Jr.**, 918 Meadowlark Ln., Laguna Beach, Calif. 92651

[**] Term: **14 Years**

[21] Appl. No.: **18,846**

[22] Filed: **Feb. 16, 1994**

[52] U.S. Cl. **D19/26**

[58] Field of Search **D19/26, 27, 28, D19/29, 30, 31; 281/21.1, 36; 402/73, 500**

[56] **References Cited**

U.S. PATENT DOCUMENTS

D. 87,734	9/1932	Vredenburg	D19/26
4,508,366	4/1985	Brindle	281/36
4,828,289	5/1989	Körner	281/36 X

FOREIGN PATENT DOCUMENTS

553175	6/1932	Germany	281/36
17579	7/1910	United Kingdom	281/36

Primary Examiner—A. Hugo Word
Assistant Examiner—Pamela Burgess

[57] **CLAIM**

The ornamental design for a combined bookcover and binder therefor, as shown and described.

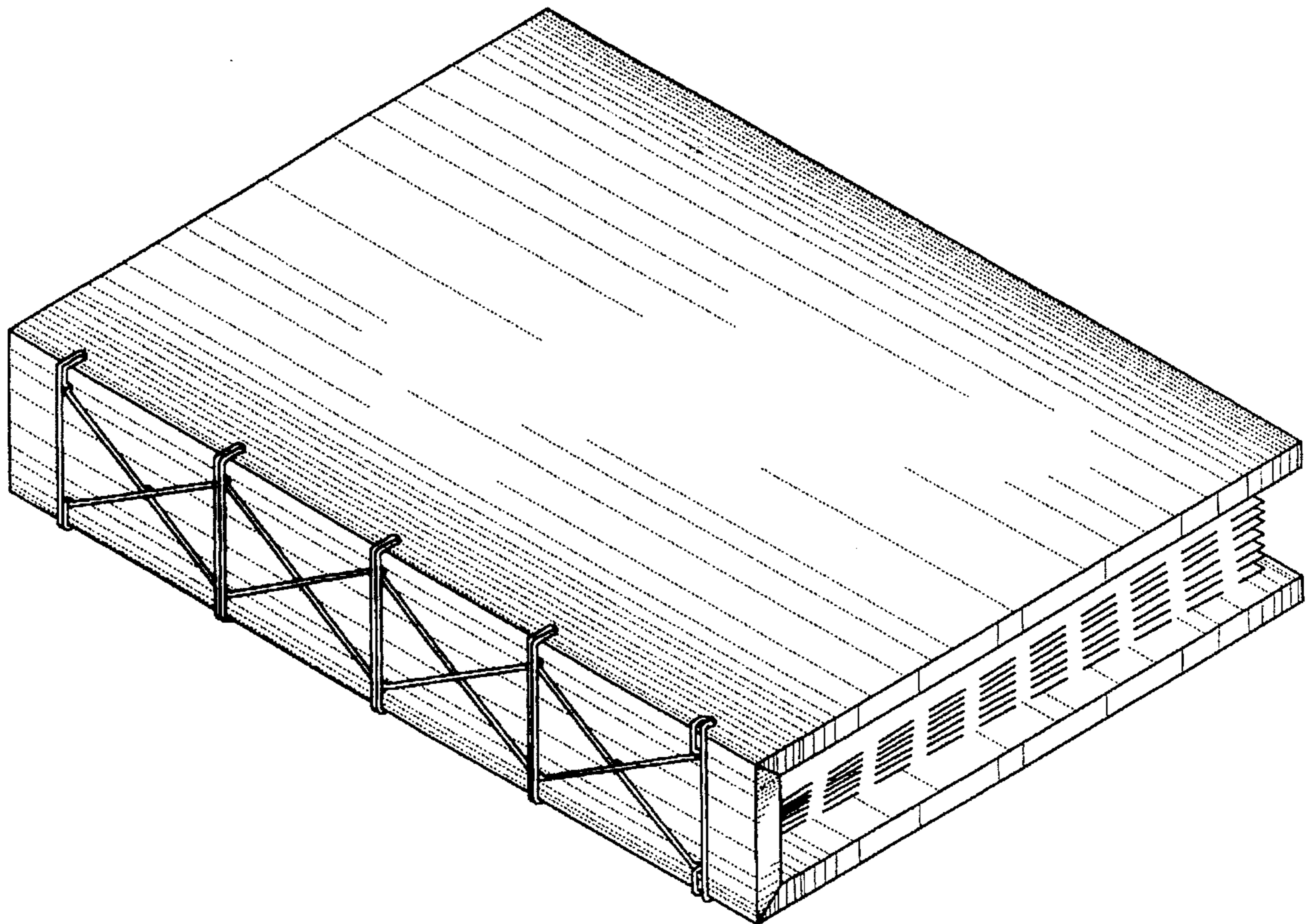
DESCRIPTION

FIG. 1 is a front isometric view of the combined bookcover and binder therefor showing my new design in a closed position; and,

FIG. 2 is a front isometric view thereof, in a fully opened position.

The broken lines shown are for illustrative purposes only and form no part of the claimed design.

1 Claim, 1 Drawing Sheet



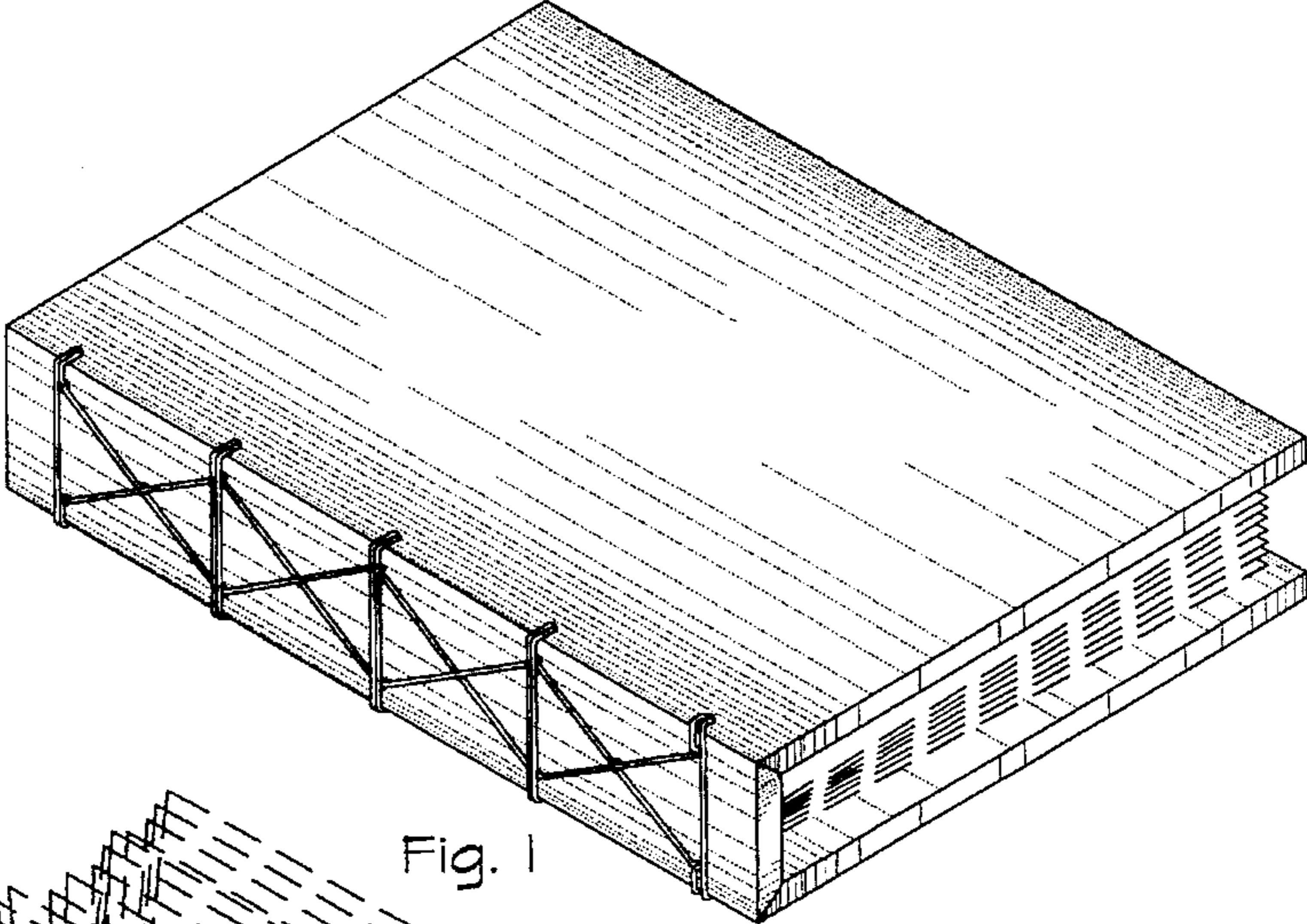


Fig. 1

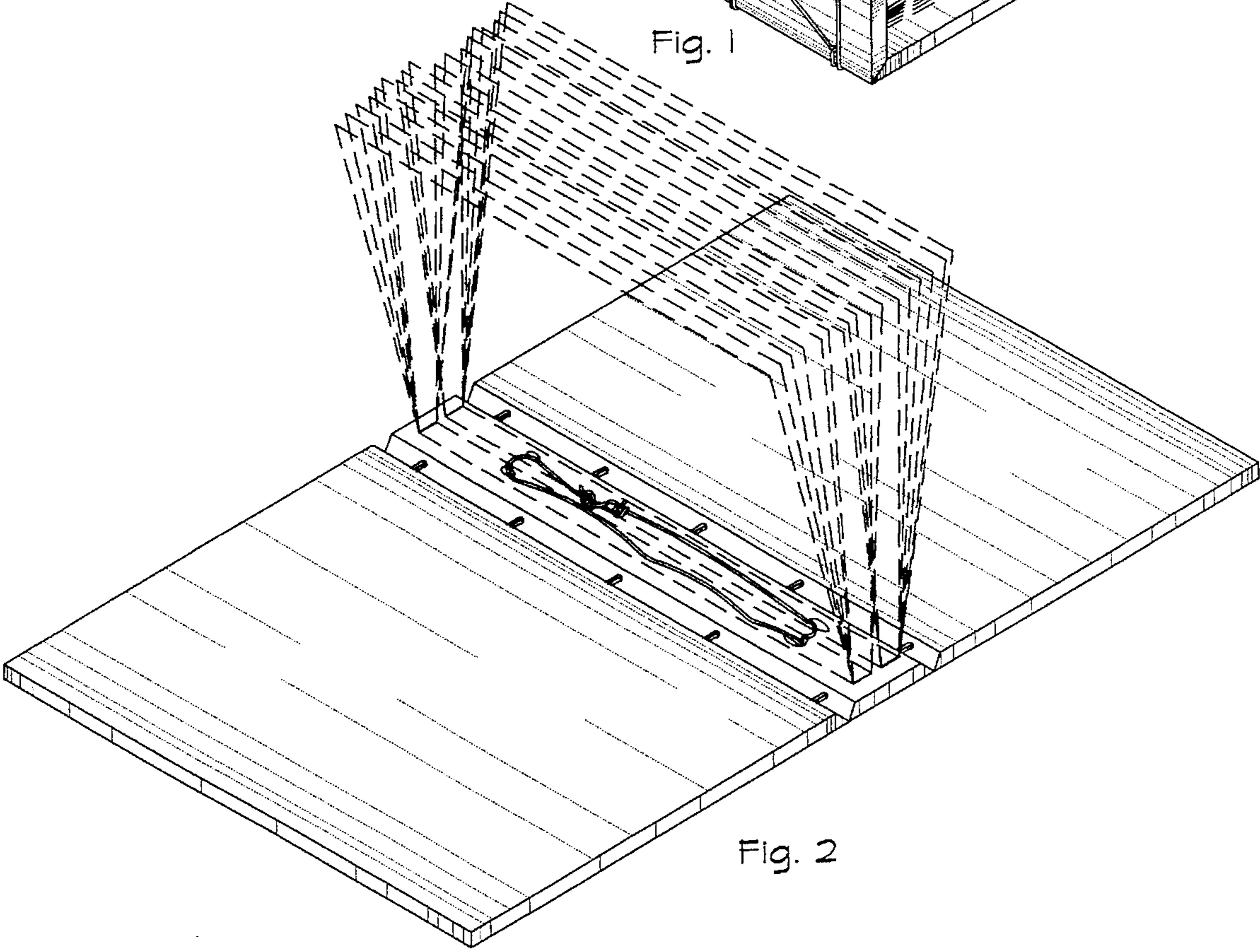


Fig. 2