



US00D369181S

United States Patent [19]
Kobayashi

[11] **Patent Number: Des. 369,181**

[45] **Date of Patent: **Apr. 23, 1996**

[54] **PRINTER FOR ELECTRONIC COMPUTER**

[75] Inventor: **Makoto Kobayashi**, Suwa, Japan

[73] Assignee: **Seiko Epson Corporation**, Tokyo, Japan

[**] Term: **14 Years**

[21] Appl. No.: **23,930**

[22] Filed: **Jun. 3, 1994**

[52] **U.S. Cl.** **D18/55**

[58] **Field of Search** D18/50, 54, 55;
400/691-694, 690.1-690.4, 613, 613.1-613.4

[56] **References Cited**

U.S. PATENT DOCUMENTS

D. 221,084	7/1971	Fossella	D18/54
D. 322,451	12/1991	McClelland et al.	D18/55
D. 322,802	12/1991	Hara	D18/55
D. 324,395	3/1992	Dubson	D18/54
D. 335,894	5/1993	Nishikaze et al.	D18/55
D. 348,899	7/1994	Masujima et al.	D18/55
D. 352,732	11/1994	Dubson et al.	D18/55
D. 354,981	1/1995	Kobayashi et al.	D18/54
D. 356,818	3/1995	Sekine et al.	D18/55

OTHER PUBLICATIONS

OceColor Color PostScript® Printer brochure; @1990.
Washington Post Newspaper Circuit City Supplement;
Epson AP3250 Dot Matrix Printer.
Datamation; Feb. 1975; p. 24; Centronics Printer advertisement.
Laser Master® 1800XL-O Plain-Paper Typesetter brochure.

Primary Examiner—Cathy Anne MacCormac
Attorney, Agent, or Firm—Stroock & Stroock & Lavan

[57] **CLAIM**

The ornamental design for a printer for electronic computer, as shown and described.

DESCRIPTION

FIG. 1 is a perspective view of the printer for electronic computer in accordance with my new design;
FIG. 2 is a front elevational view thereof;
FIG. 3 is a rear elevational view thereof;
FIG. 4 is a left side view thereof;
FIG. 5 is a right side view thereof;
FIG. 6 is a top plan view thereof; and,
FIG. 7 is a bottom plan view thereof.

1 Claim, 3 Drawing Sheets

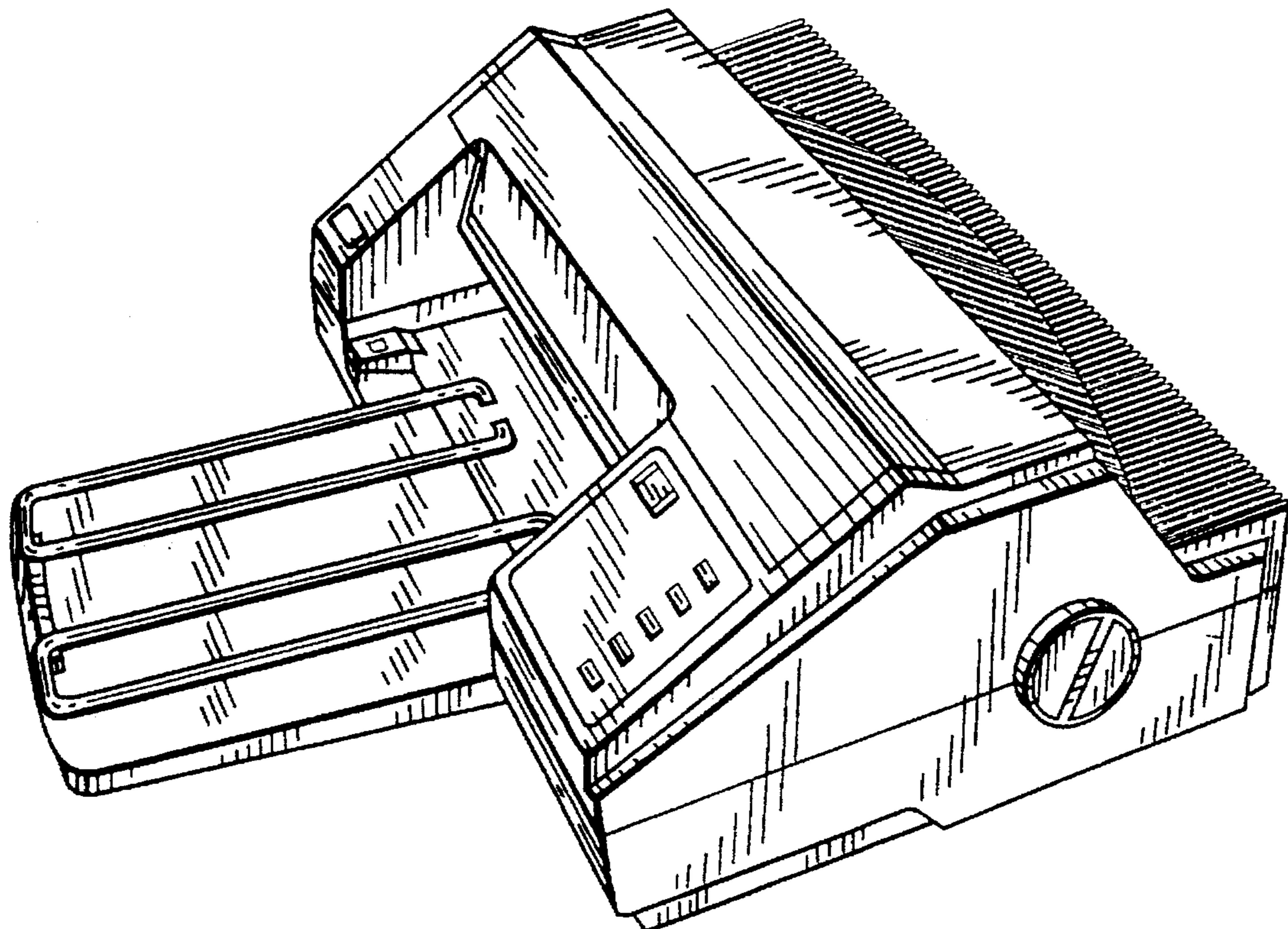


FIG. 1

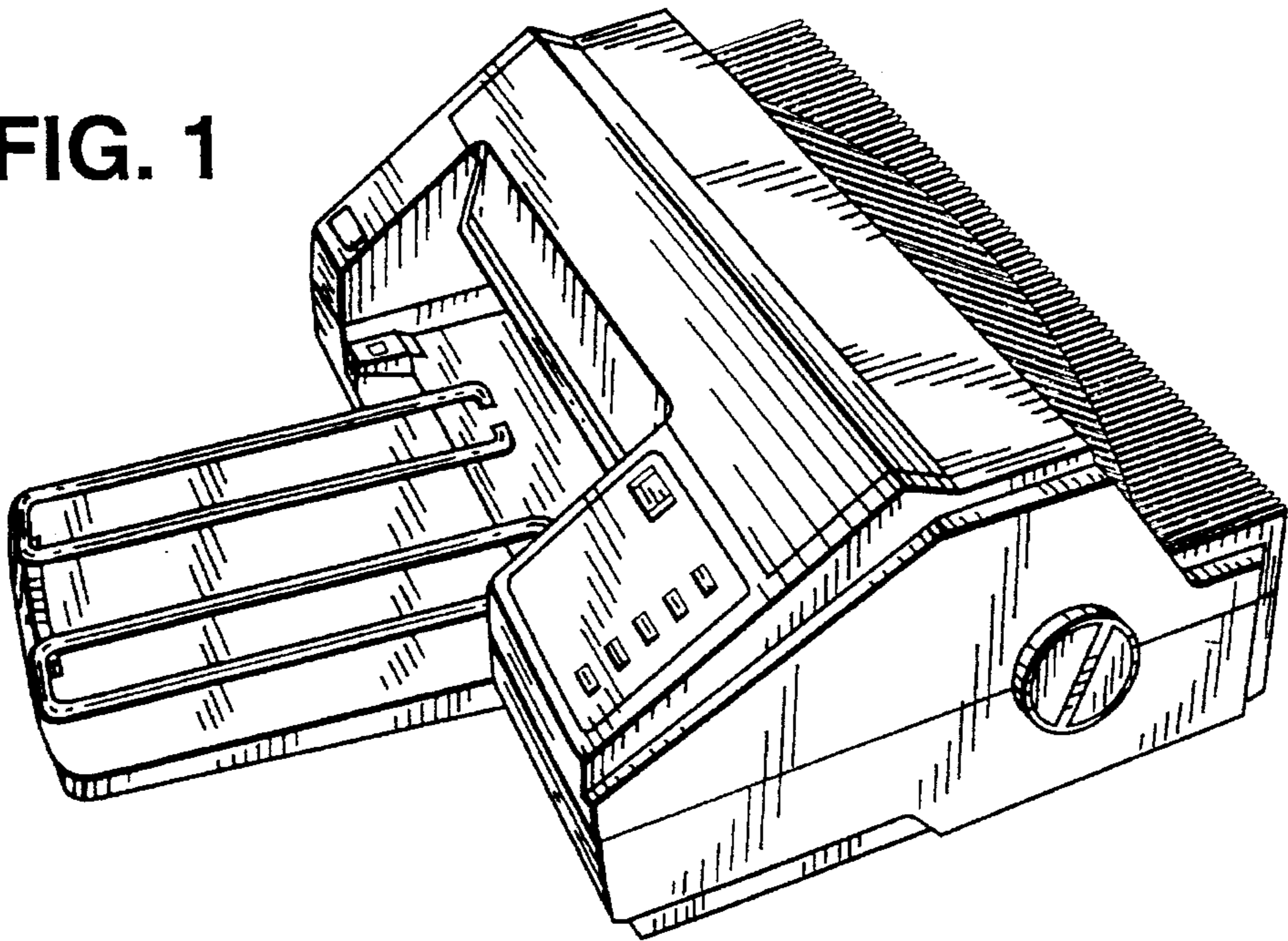


FIG. 2

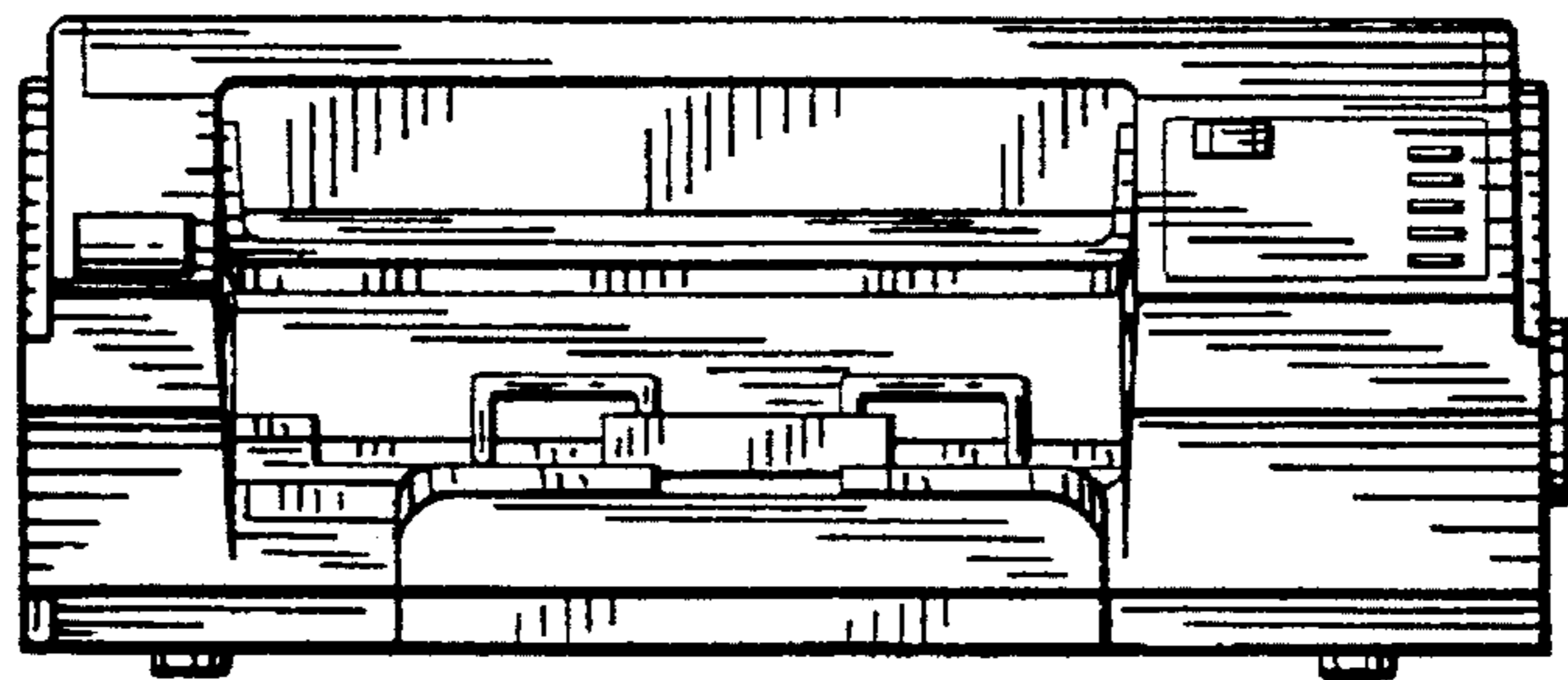


FIG. 3

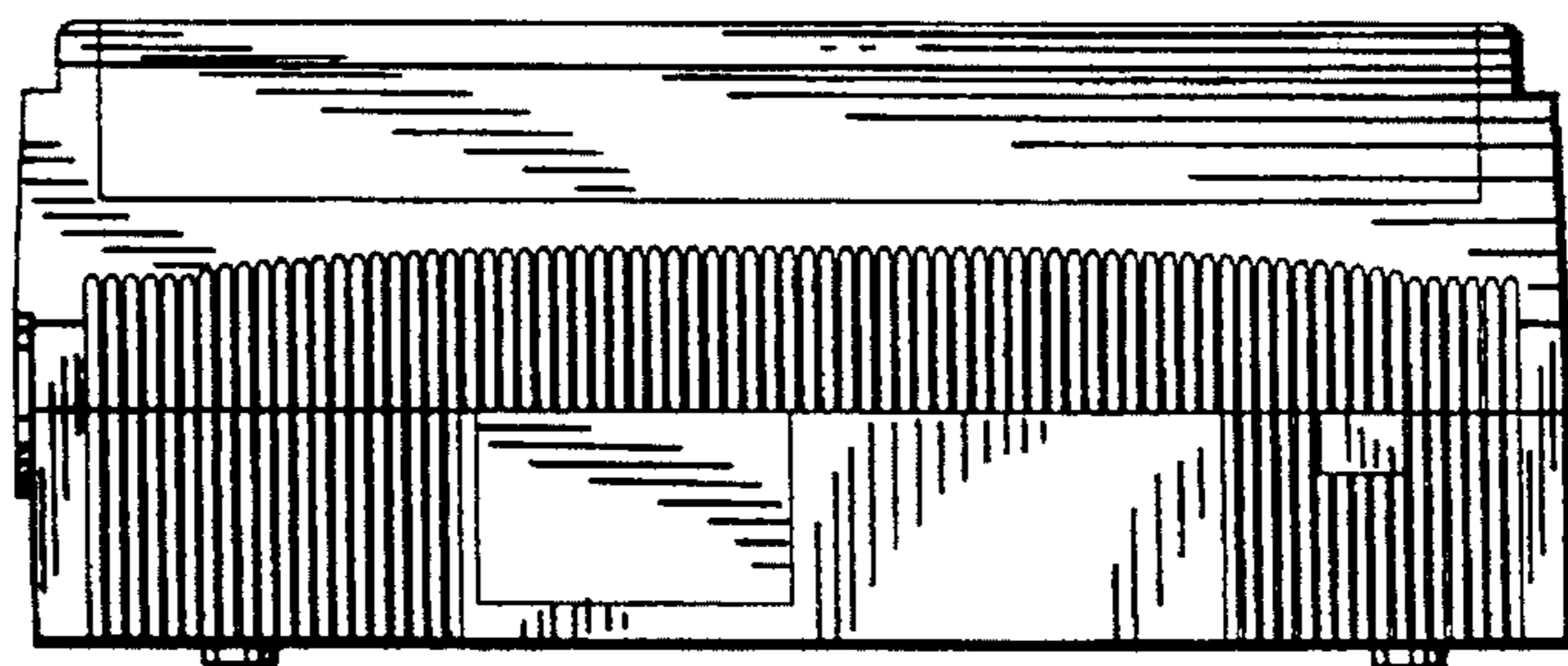


FIG. 4

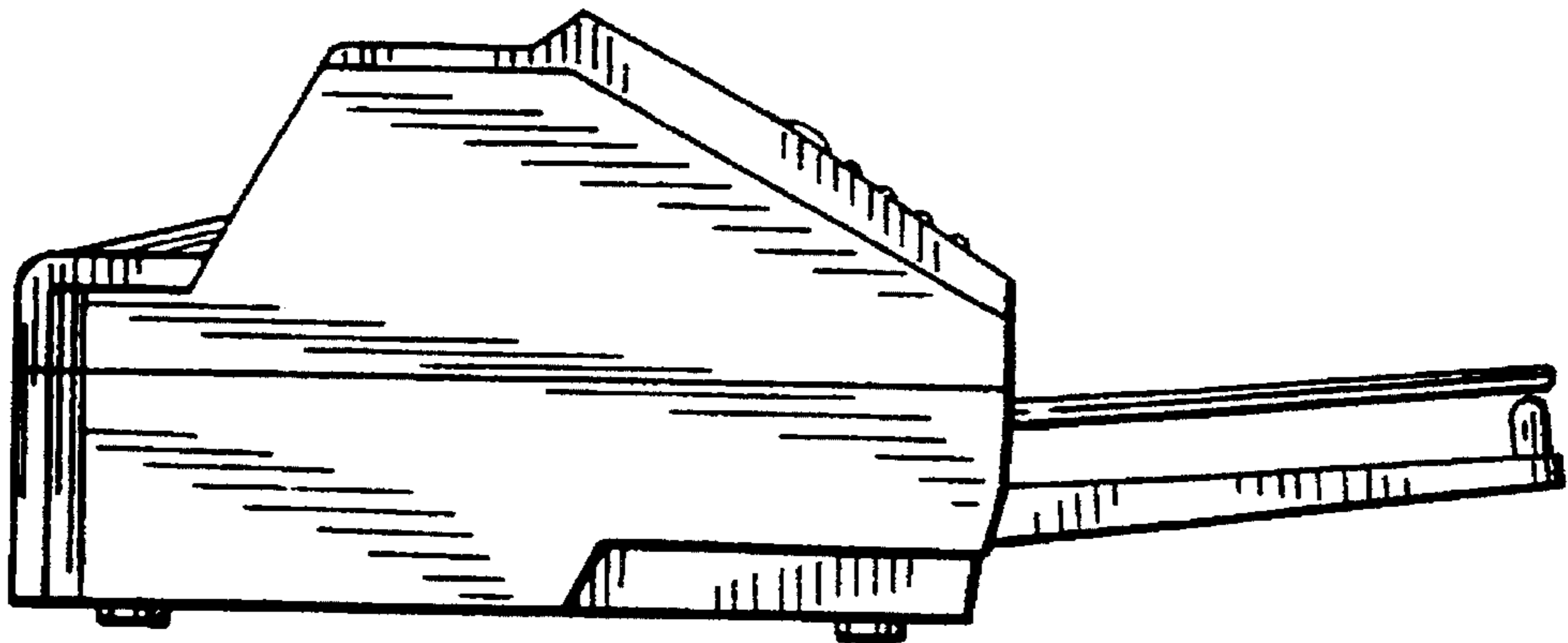


FIG. 5

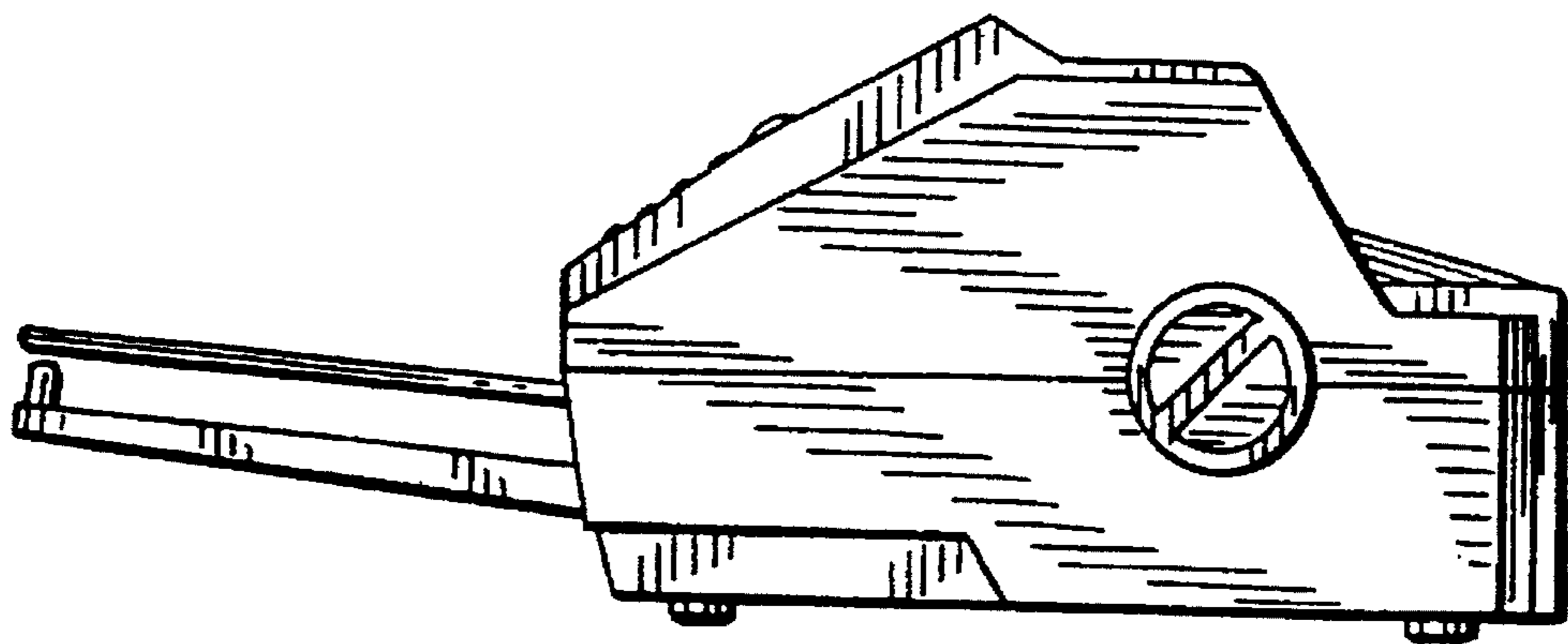


FIG. 6

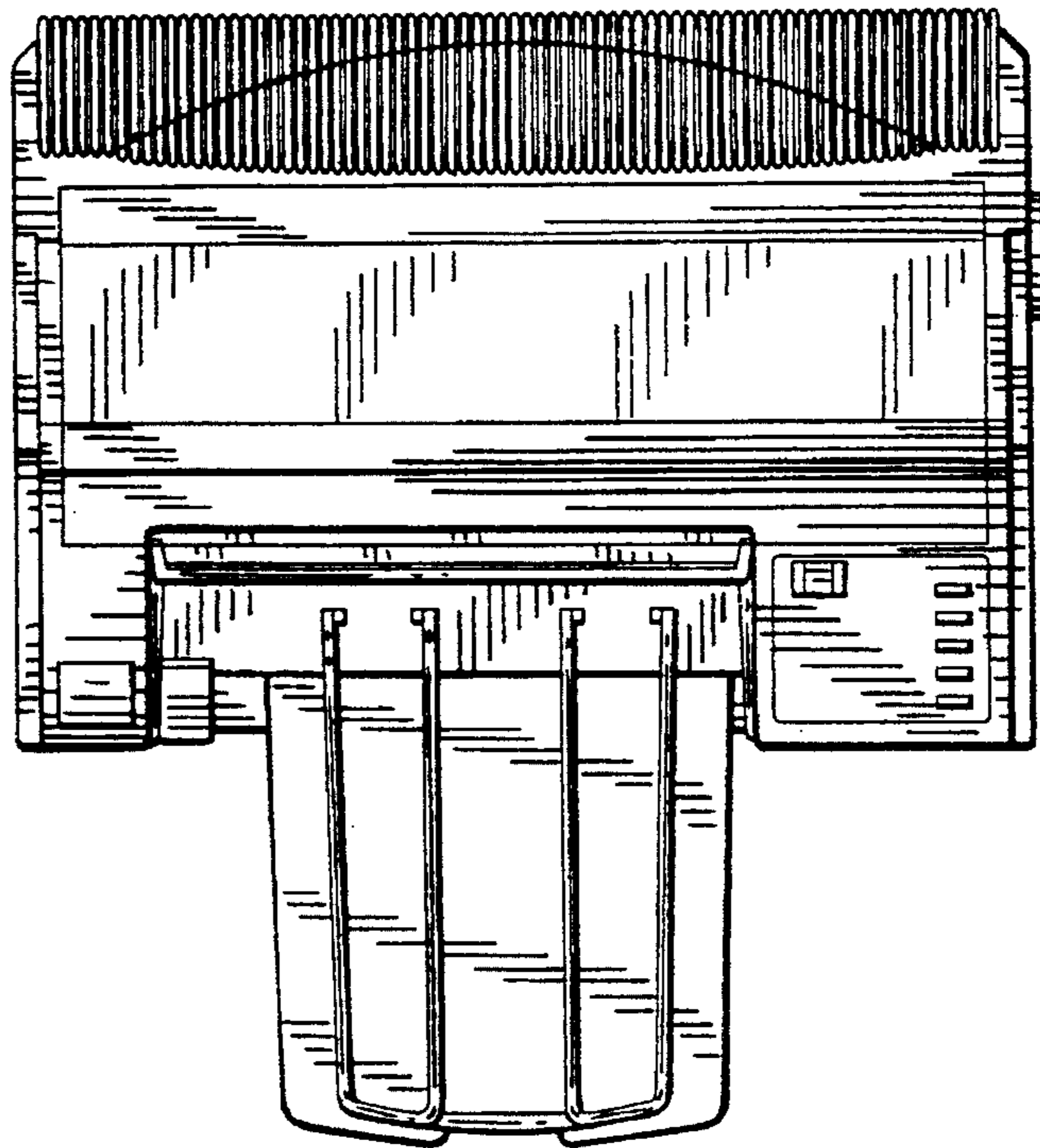


FIG. 7

