



US00D369179S

United States Patent [19]

Botta et al.

[11] Patent Number: **Des. 369,179**

[45] Date of Patent: ****Apr. 23, 1996**

[54] **COMBINED BINDING MACHINE AND PUNCH**

[75] Inventors: **Klaus Botta; Thomas Klüber**, both of Offenbach, Germany

[73] Assignee: **Ibico AG**, Zurich, Switzerland

[**] Term: **14 Years**

[21] Appl. No.: **37,999**

[22] Filed: **Apr. 25, 1995**

[30] Foreign Application Priority Data

Oct. 27, 1994 [CH] Switzerland 121.814

[52] U.S. Cl. **D18/34**

[58] Field of Search D18/34; D15/128; 281/21.1, 27.1, 28; 412/7, 16, 33, 34, 38, 39, 40, 43, 900

[56] References Cited

U.S. PATENT DOCUMENTS

- D. 284,870 7/1986 Terracciano D18/34
- D. 296,115 6/1988 Scharer D18/34
- D. 359,065 6/1995 Cox D18/34

- 3,699,596 10/1972 Lyon .
- 3,967,336 7/1976 Cutter .
- 4,645,399 2/1987 Scharer 412/40 X
- 4,906,157 3/1990 Todaro et al. 412/43
- 5,143,502 9/1992 Kaufmann et al. 412/38 X
- 5,211,522 5/1993 Ho 412/16

Primary Examiner—Martie Thompson
Attorney, Agent, or Firm—Stroock & Stroock & Lavan

[57] CLAIM

The ornamental design for a combined binding machine and punch, as shown and described.

DESCRIPTION

FIG. 1 is a perspective view of a combined binding machine and punch in an open position in accordance with my new design;

FIG. 2 is a top plan view thereof;

FIG. 3 is a front elevational view thereof;

FIG. 4 is a left side elevational view thereof;

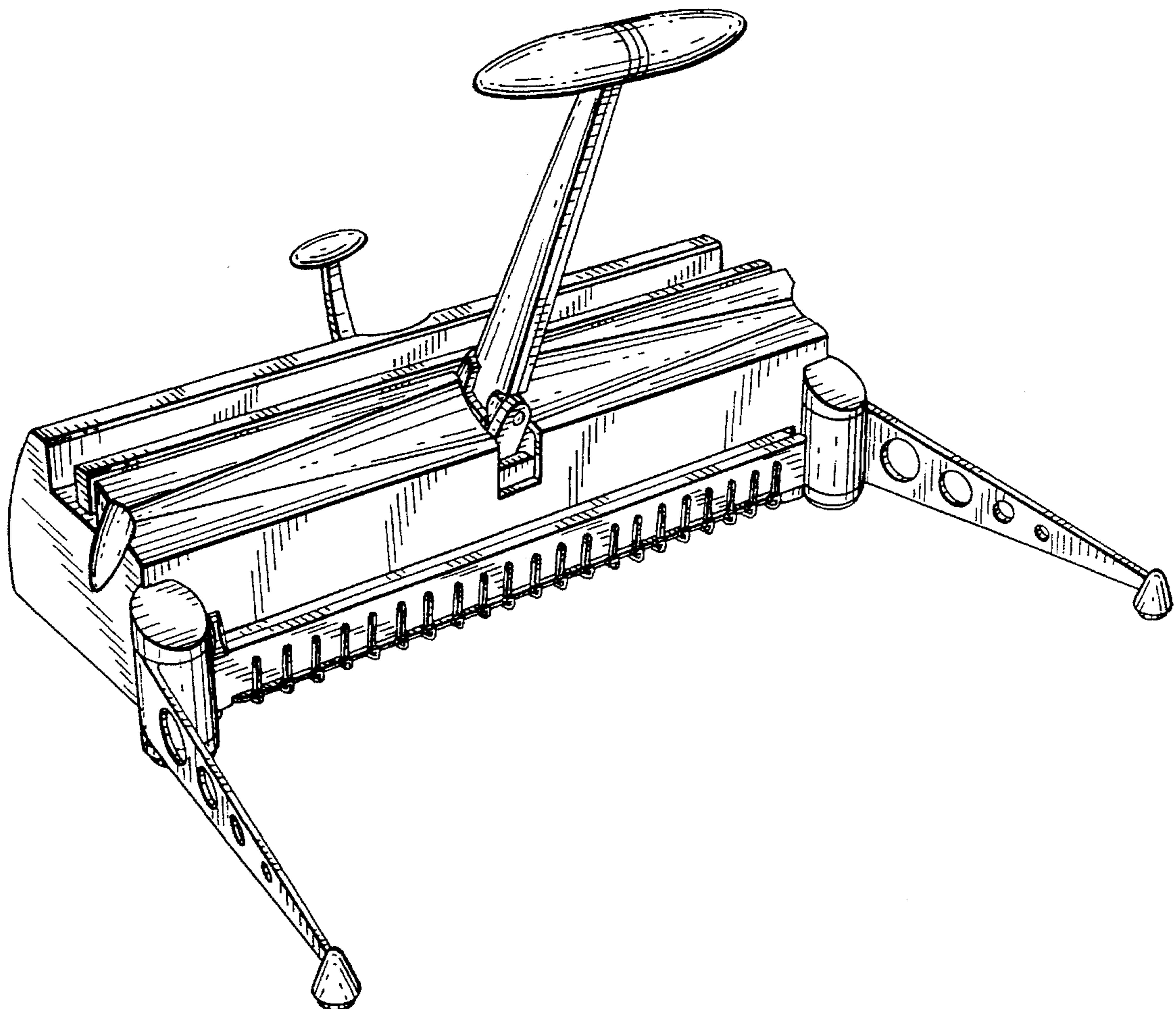
FIG. 5 is a rear elevational view thereof;

FIG. 6 is a right side elevational view thereof;

FIG. 7 is a bottom plan view thereof; and,

FIG. 8 is a perspective view thereof in a closed position.

1 Claim, 5 Drawing Sheets



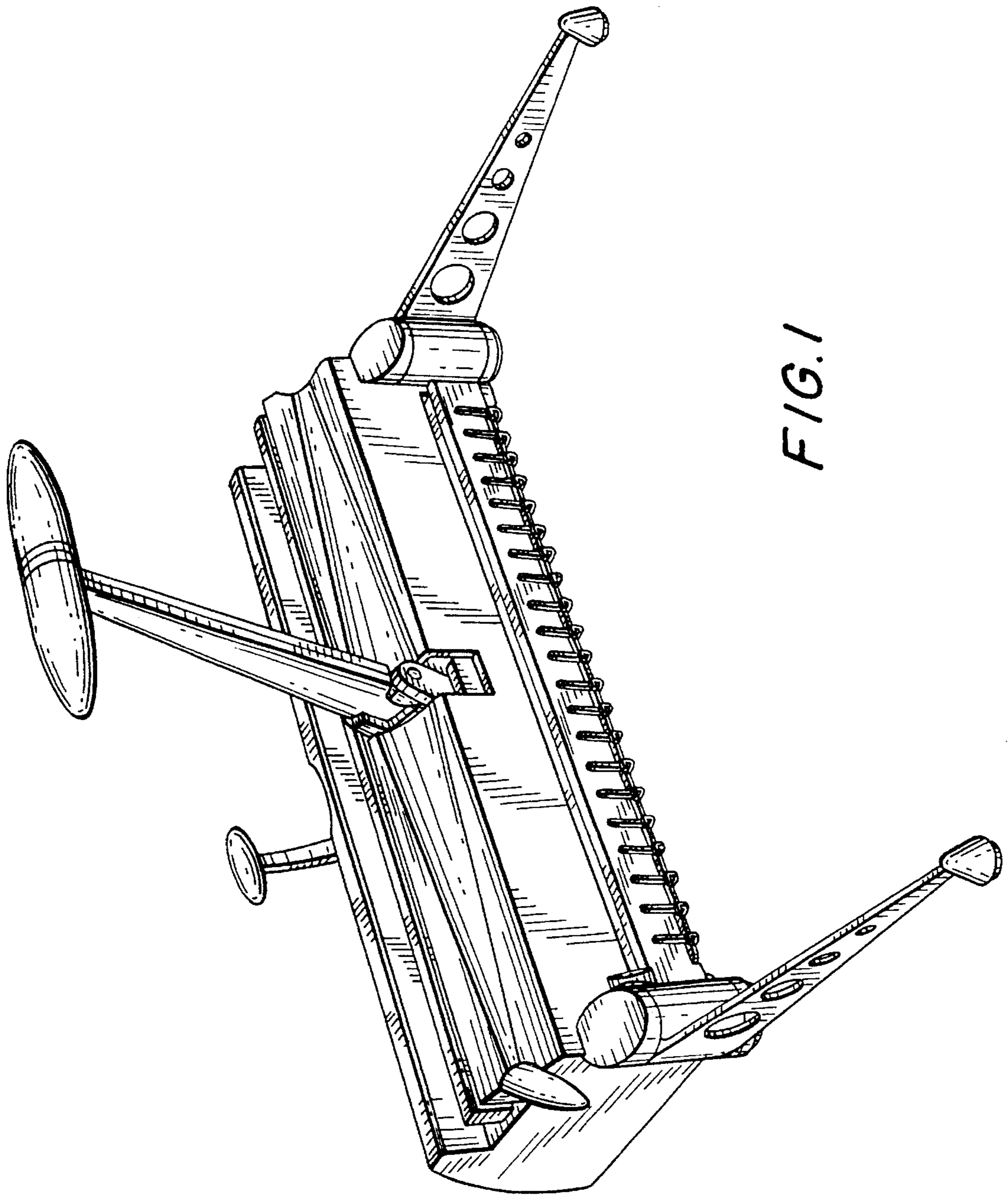


FIG. 1

FIG. 2

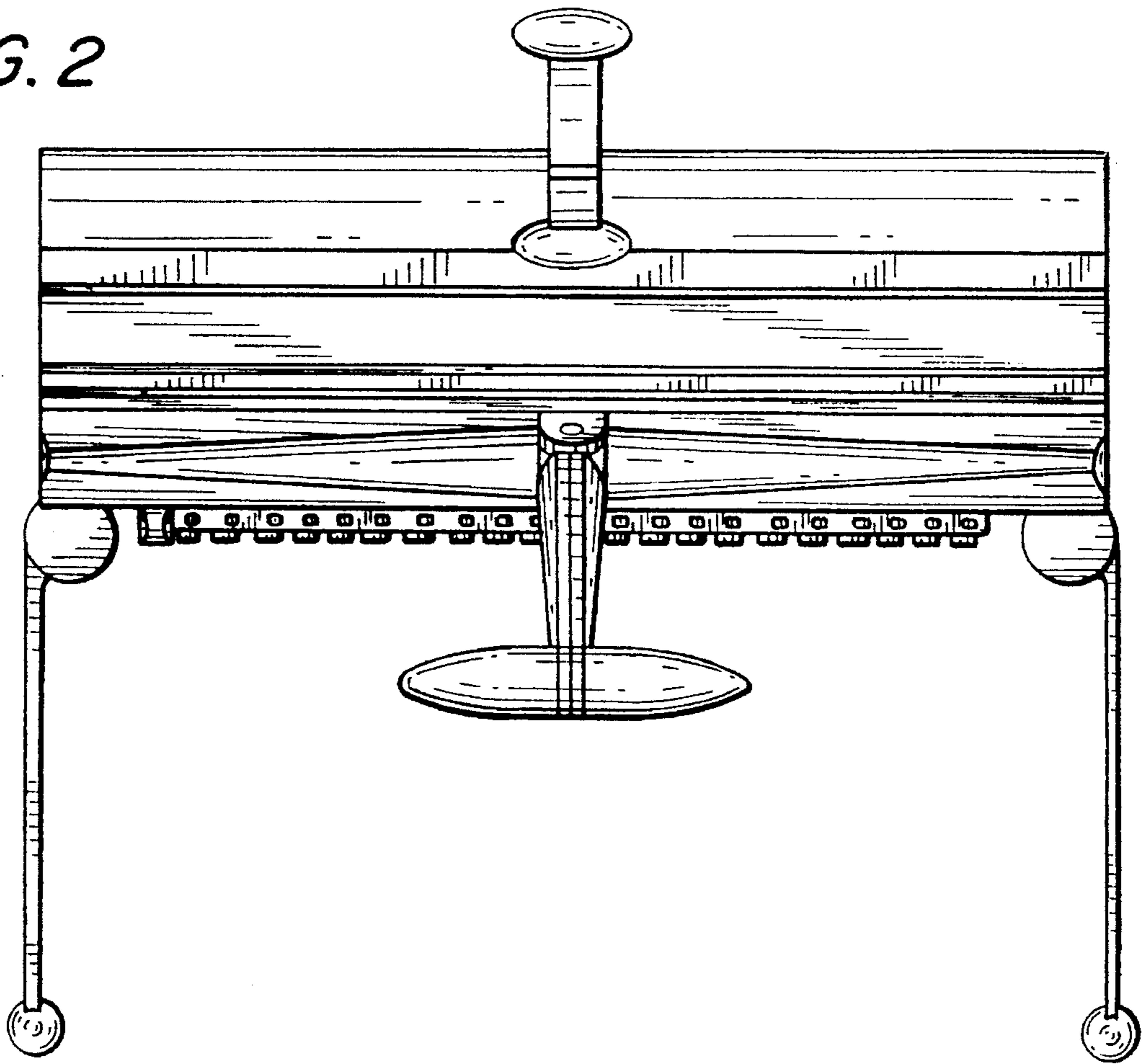


FIG. 3

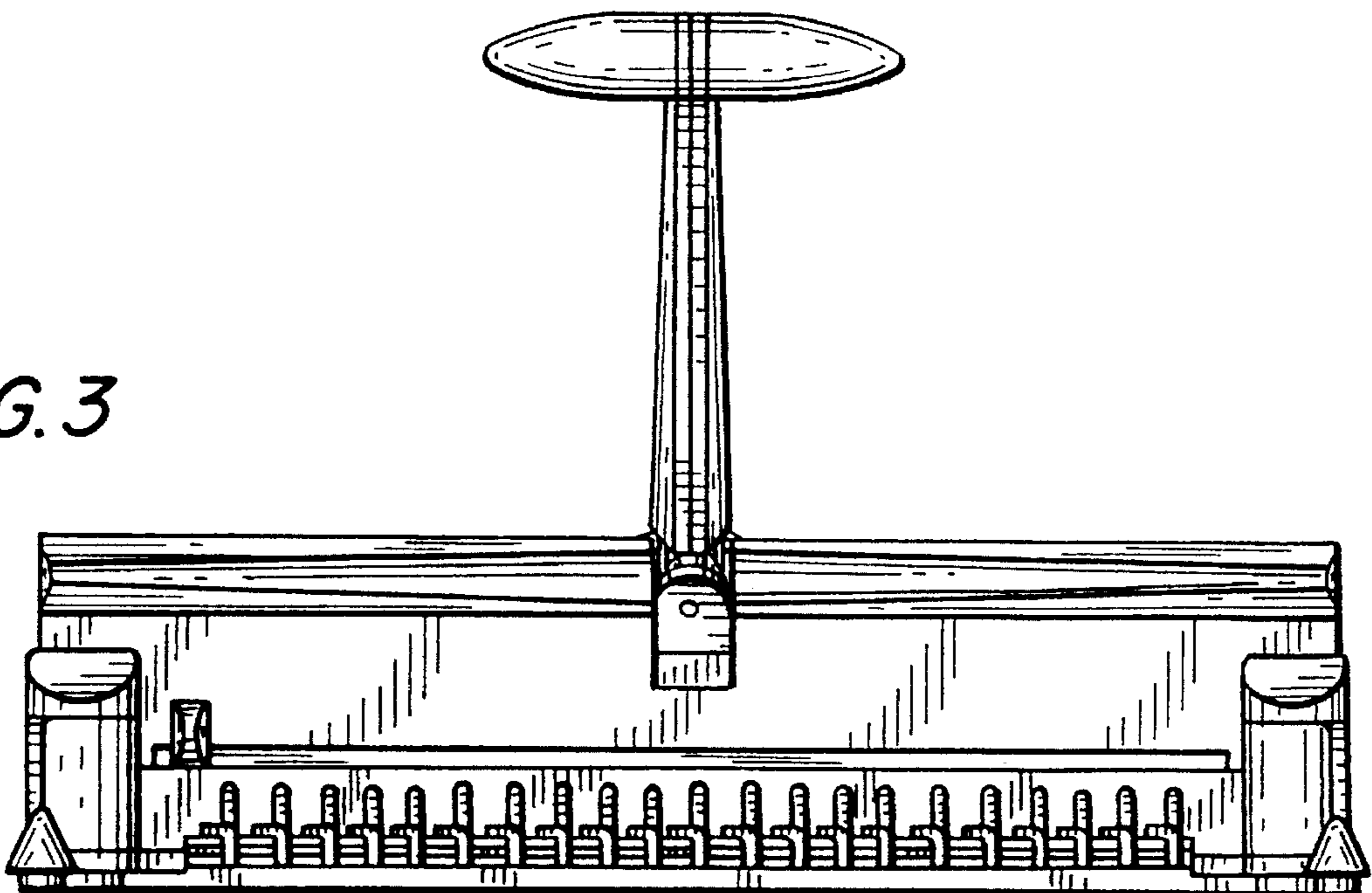


FIG. 4

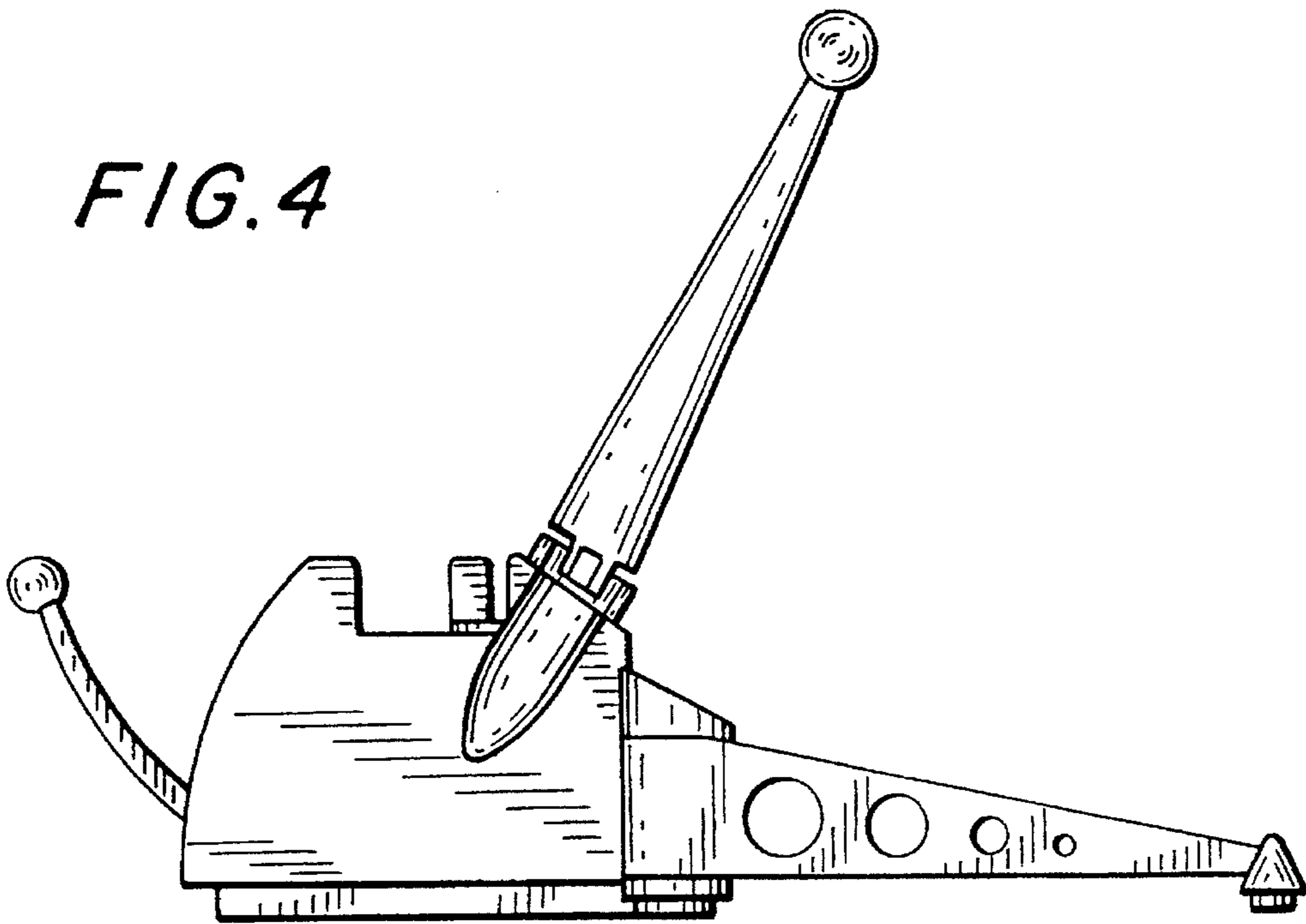


FIG. 5

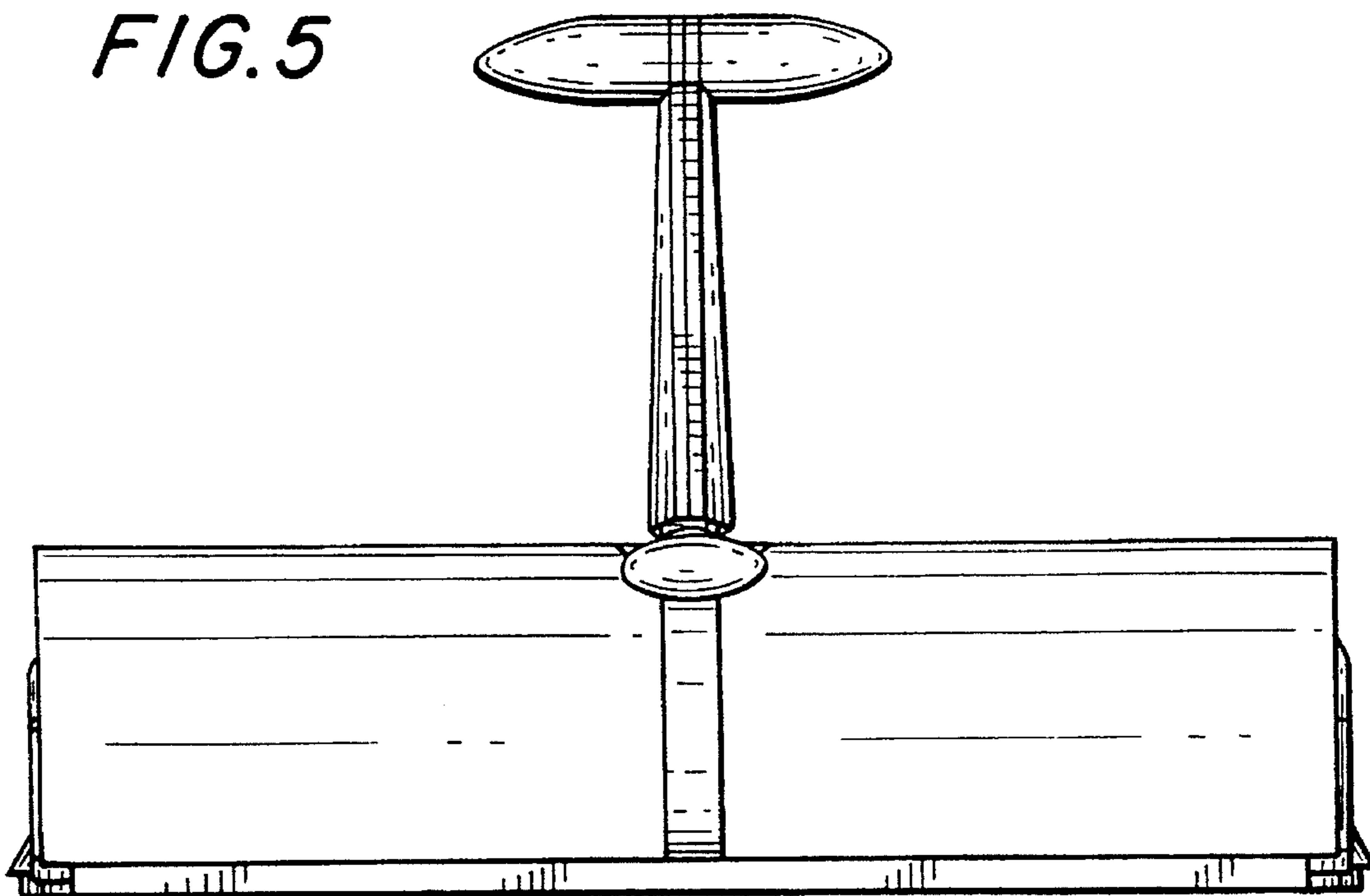


FIG. 6

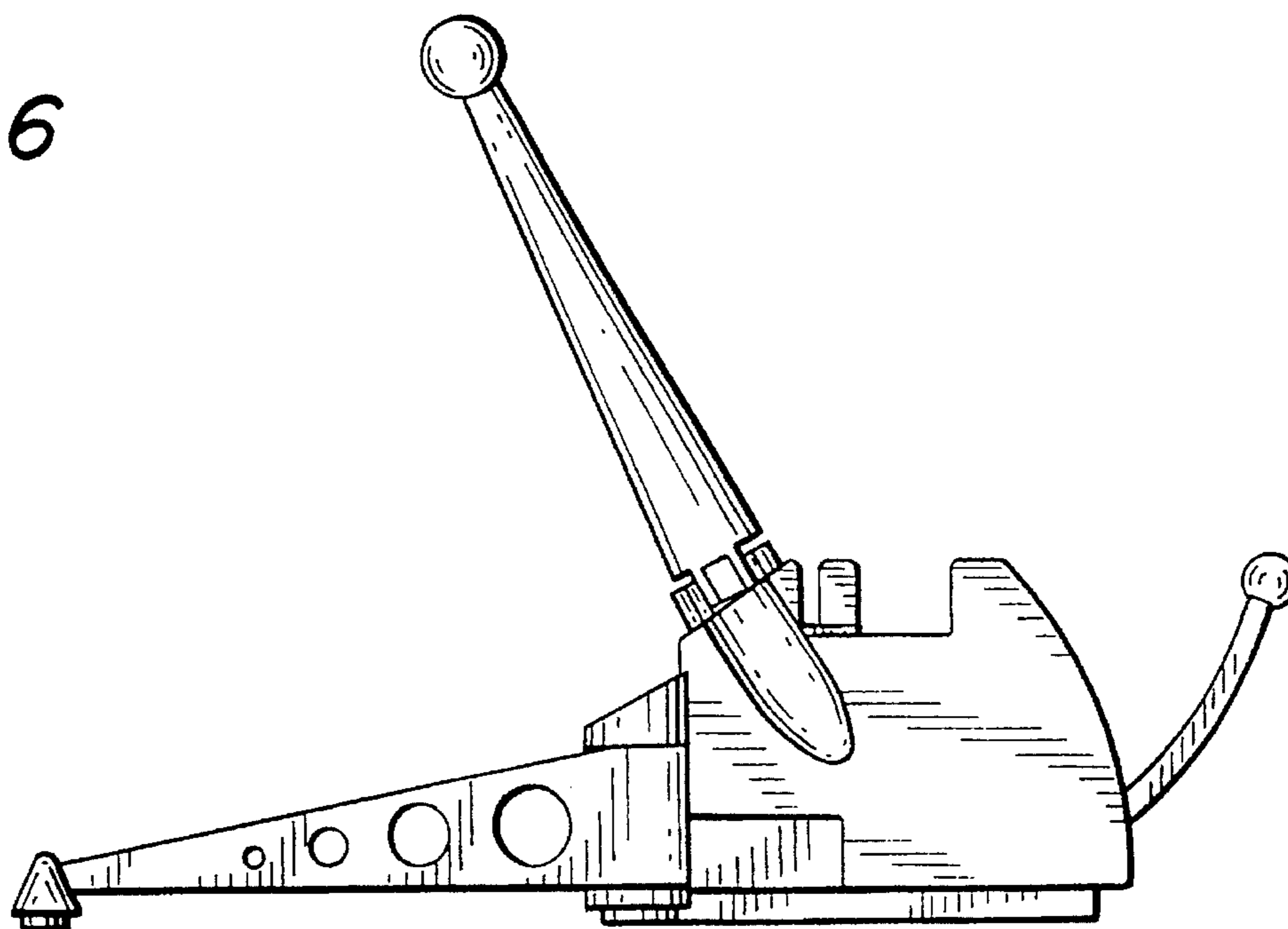
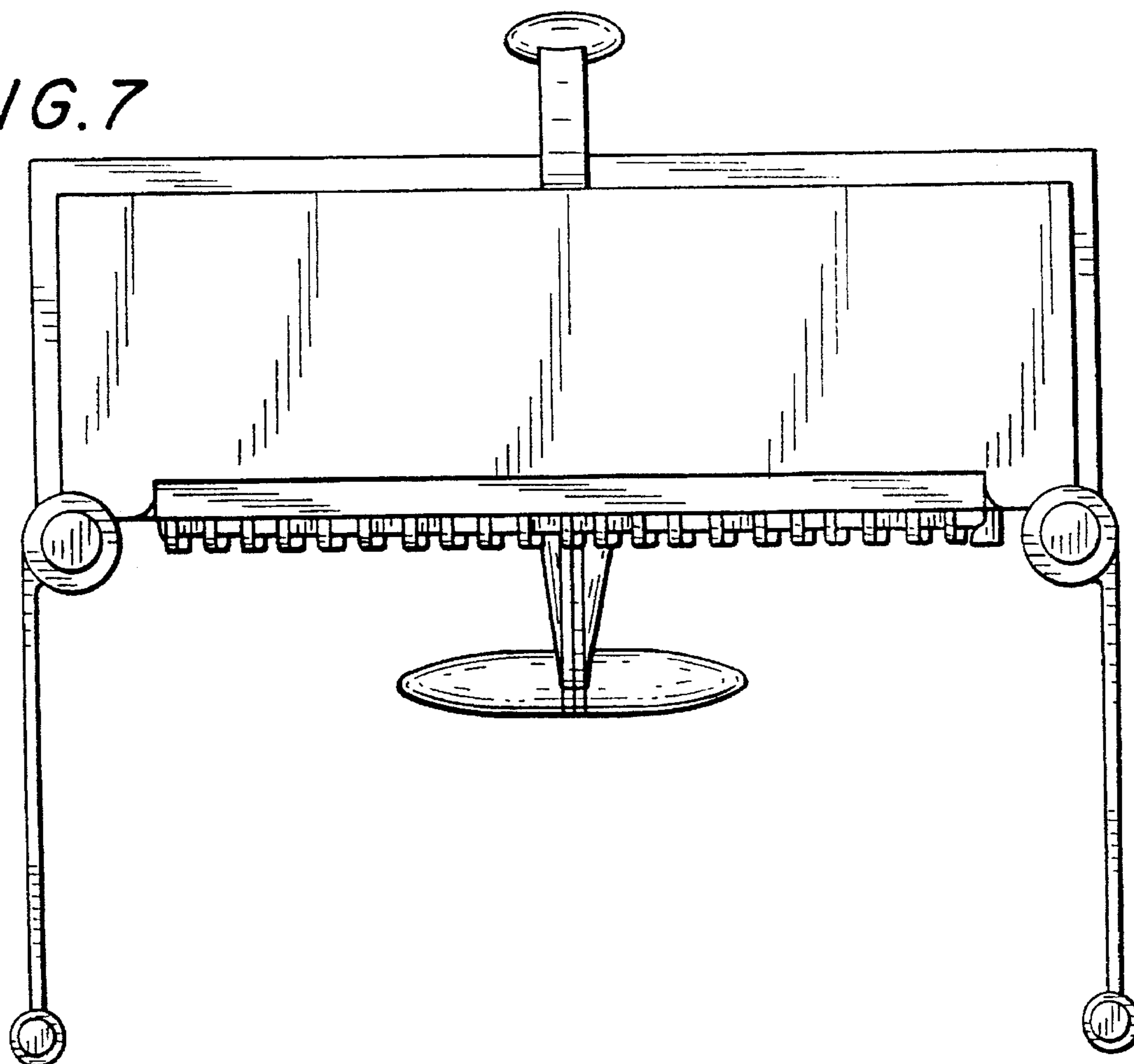


FIG. 7



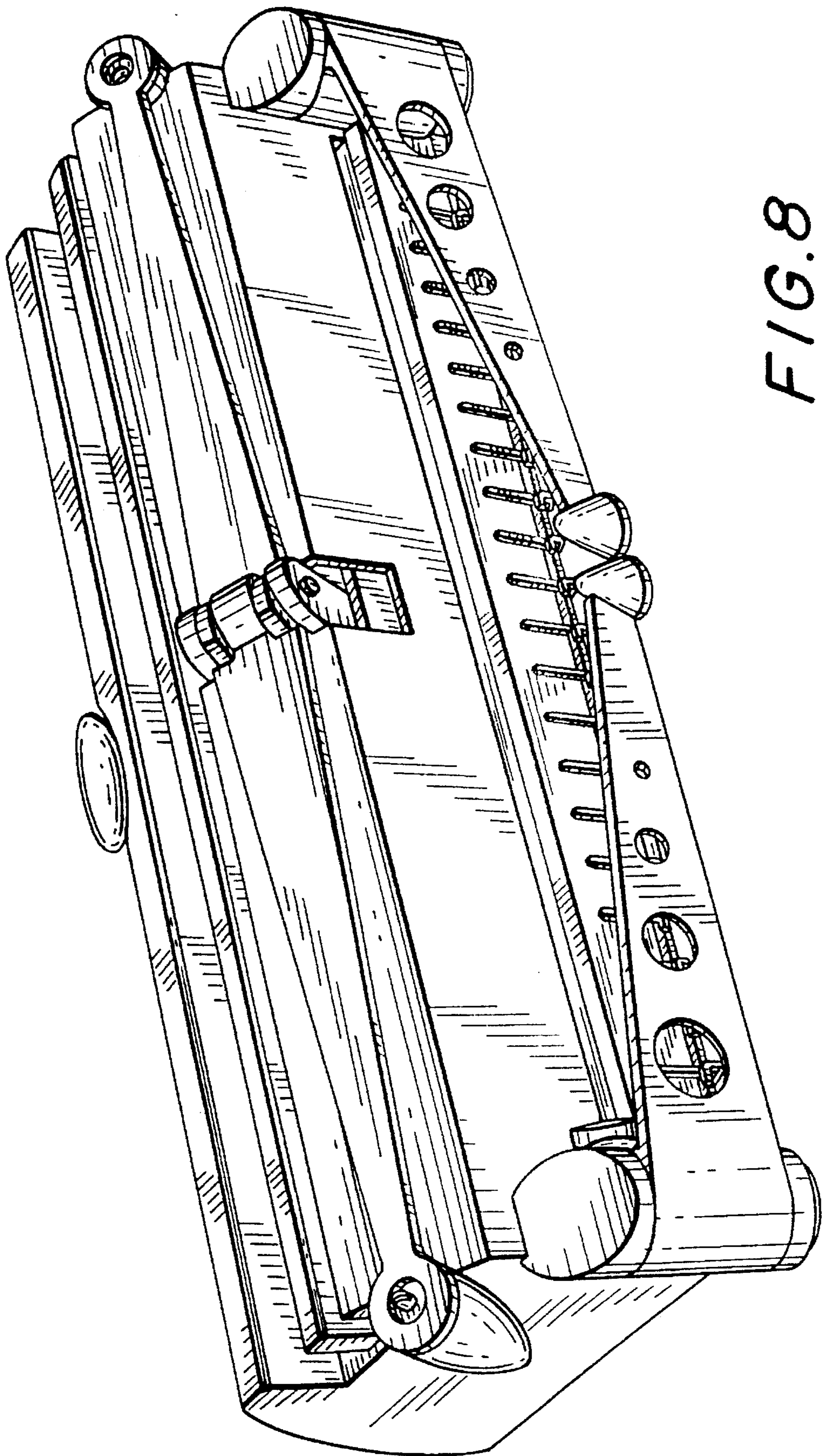


FIG. 8