



US00D369174S

# United States Patent [19]

Cooper et al.

[11] Patent Number: **Des. 369,174**

[45] Date of Patent: **\*\*Apr. 23, 1996**

[54] **PROTECTIVE EYEGLASSES**

[75] Inventors: **James M. Cooper**, Countryside;  
**Donald L. Rohrs**, Overland Park;  
**David D. McCormick**, Prairie Village,  
all of Kans.

[73] Assignee: **Parmelee Industries, Inc.**, Lenexa,  
Kans.

[\*\*] Term: **14 Years**

[21] Appl. No.: **18,347**

[22] Filed: **Feb. 4, 1994**

[52] U.S. Cl. .... **D16/314**

[58] Field of Search ..... D16/306, 310,  
D16/311, 312, 313, 314, 337, 338, 340;  
2/428, 427, 430, 431, 432, 439, 449, 452;  
351/44, 47-48, 57, 59, 66, 80, 124-125,  
158

[56] **References Cited**

**U.S. PATENT DOCUMENTS**

D. 290,964	7/1987	Kalbach	.....	D16/338
D. 293,450	12/1987	Jannard	.....	D16/314
D. 314,391	2/1991	Nussbicki	.	
D. 322,081	12/1991	Longsdorf	.....	D16/314
D. 322,616	12/1991	Wiedner	.....	D16/314
D. 323,335	1/1992	Dalloz	.....	D16/314
D. 331,765	12/1992	Canavan et al.	.....	D16/314
D. 336,097	6/1993	Wiedner	.....	D16/325
D. 337,595	7/1993	Reymondet et al.	.....	D16/312
D. 345,567	3/1994	Deckard et al.	.....	D16/337
D. 347,016	5/1995	Bolle	.....	D16/314
4,017,165	4/1977	Davis	.	
4,153,347	5/1979	Myer	.	
4,391,498	7/1983	Rengstorff	.	
4,688,272	8/1987	Leonardi	.....	2/449

4,964,714 10/1990 Weymouth et al. .  
4,991,952 2/1991 Grau .

**FOREIGN PATENT DOCUMENTS**

146058 4/1952 Australia .

**OTHER PUBLICATIONS**

American Bicyclist & Motorcyclist Mar. 1988, p. 40 Glasses  
in center of page.

Popular Science, May 1987, p. 111 "Sunlites" Glasses.

*Primary Examiner*—Prabhakar G. Deshmukh

*Assistant Examiner*—R. Barkai

*Attorney, Agent, or Firm*—Kokjer, Kircher, Bowman &  
Johnson

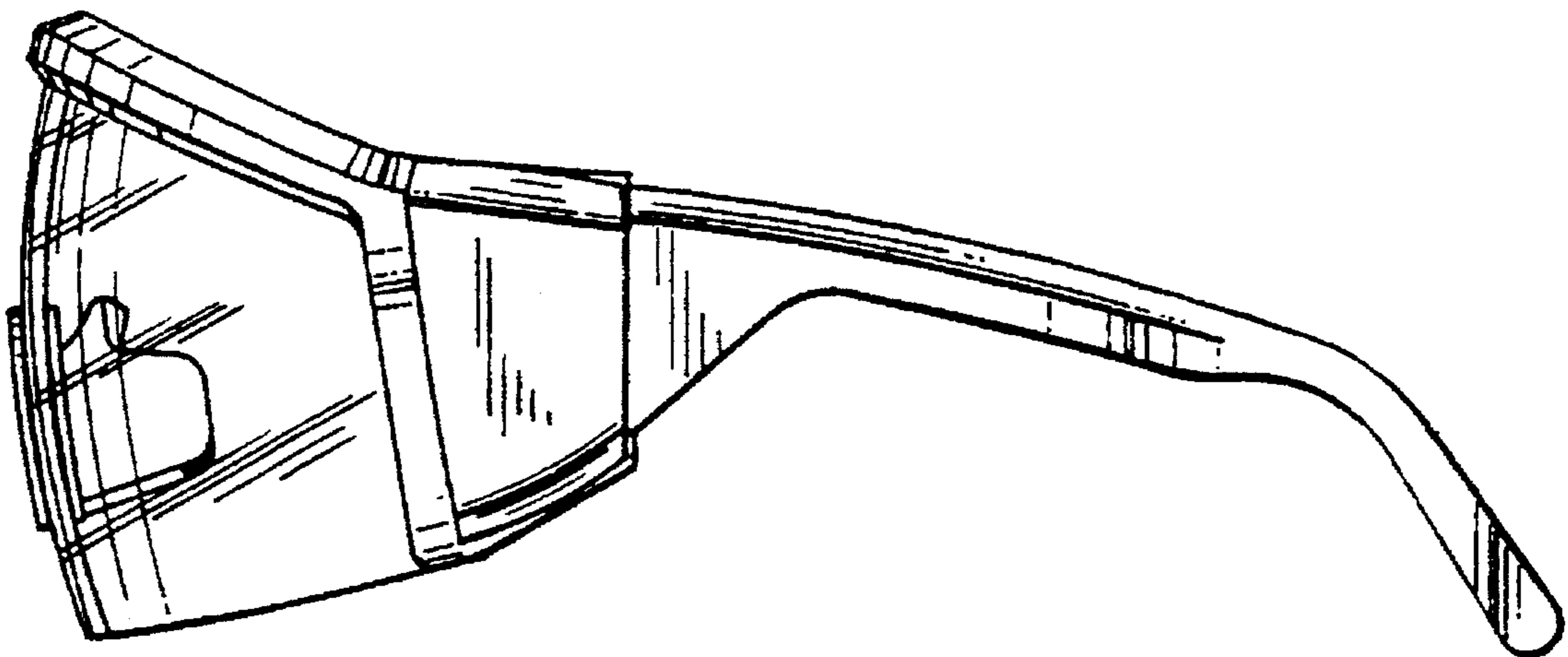
[57] **CLAIM**

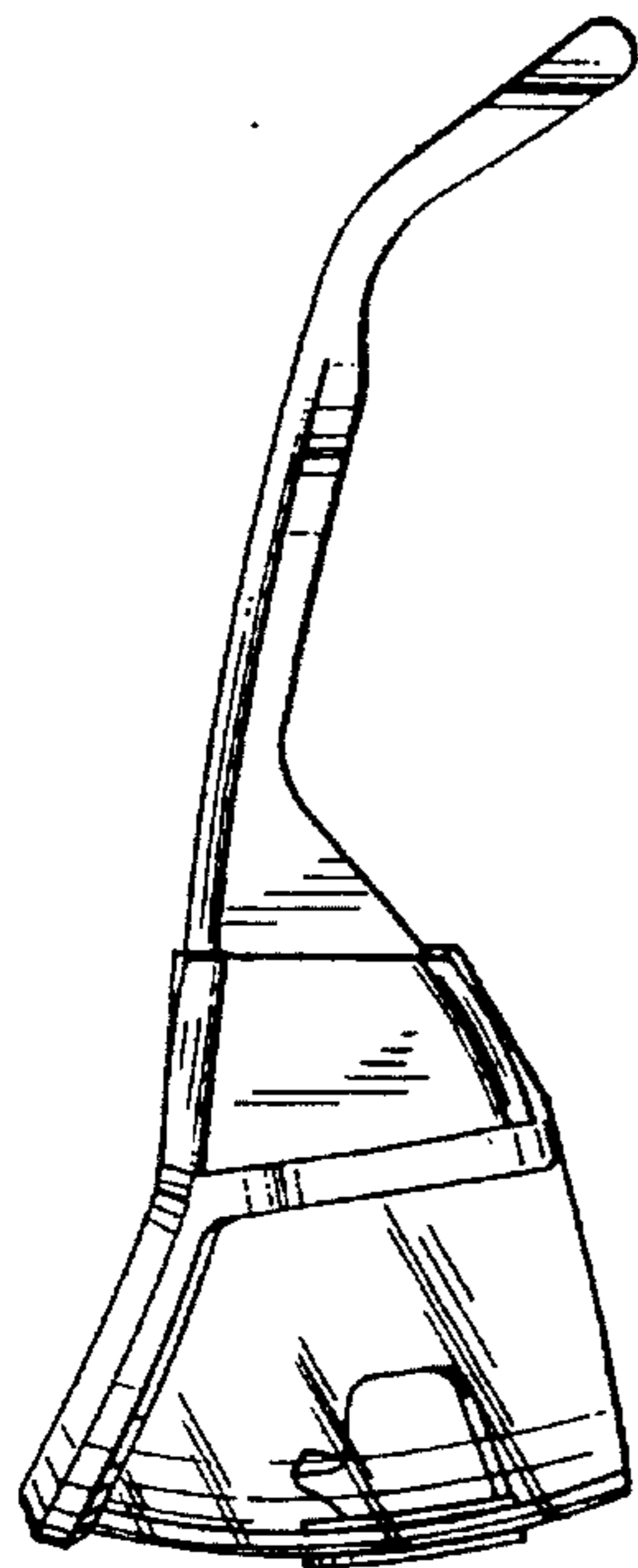
The ornamental design for protective eyeglasses, as shown  
and described.

**DESCRIPTION**

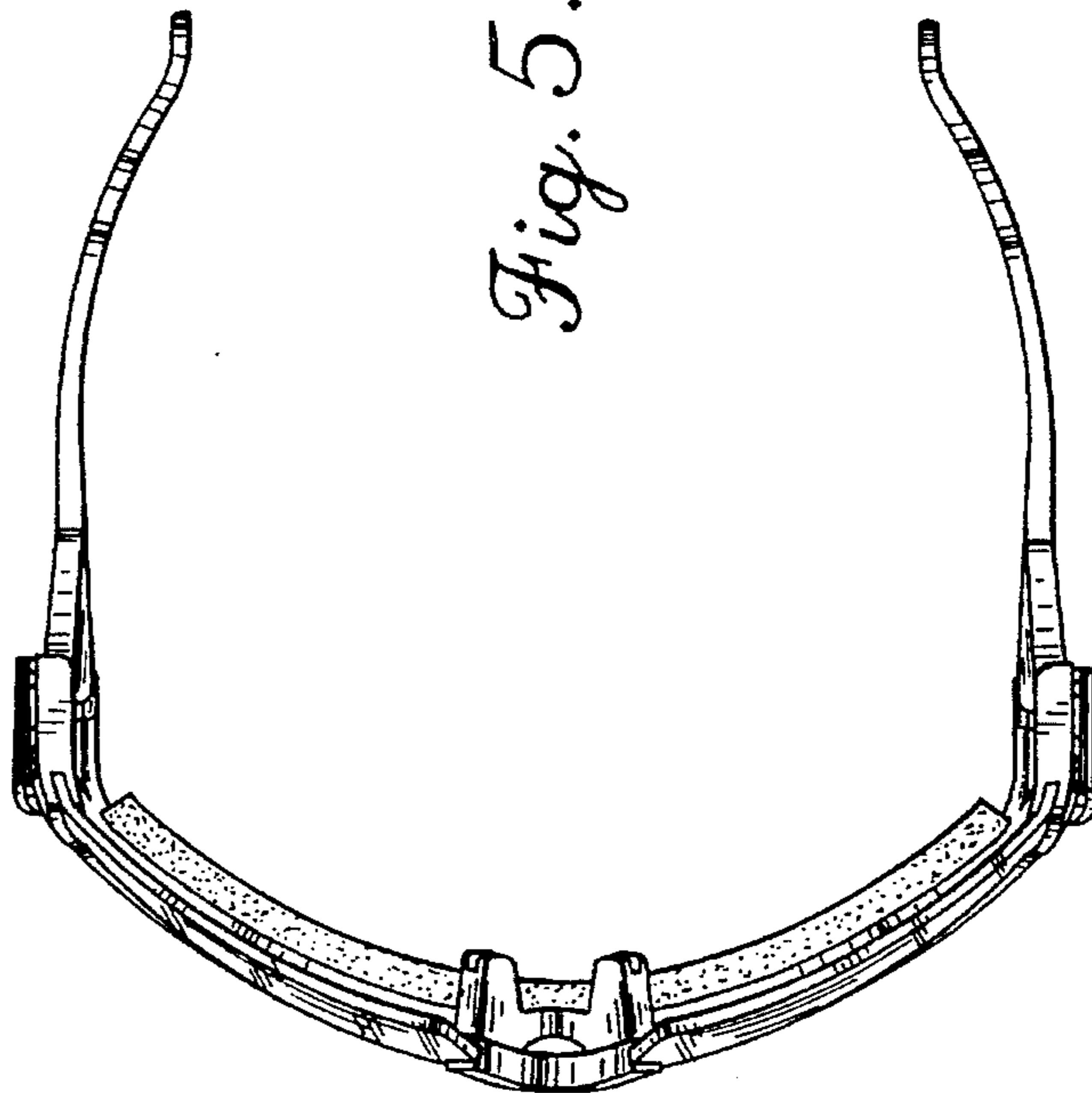
FIG. 1 is a front elevational view of a first embodiment of  
the protective eyeglasses according to the present invention;  
FIG. 2 is a right side elevational view of the first embodi-  
ment, the side opposite being a mirror image;  
FIG. 3 is a rear elevational view of the first embodiment;  
FIG. 4 is a top plan view of the first embodiment;  
FIG. 5 is a bottom plan view of the first embodiment;  
FIG. 6 is a front elevational view of a second embodiment  
of the protective eyeglasses according to the present inven-  
tion;  
FIG. 7 is a right side elevational view of the second  
embodiment, the side opposite being a mirror image;  
FIG. 8 is a rear elevational view of the second embodiment;  
FIG. 9 is a top plan view of the second embodiment; and,  
FIG. 10 is a bottom plan view of the second embodiment.

**1 Claim, 2 Drawing Sheets**

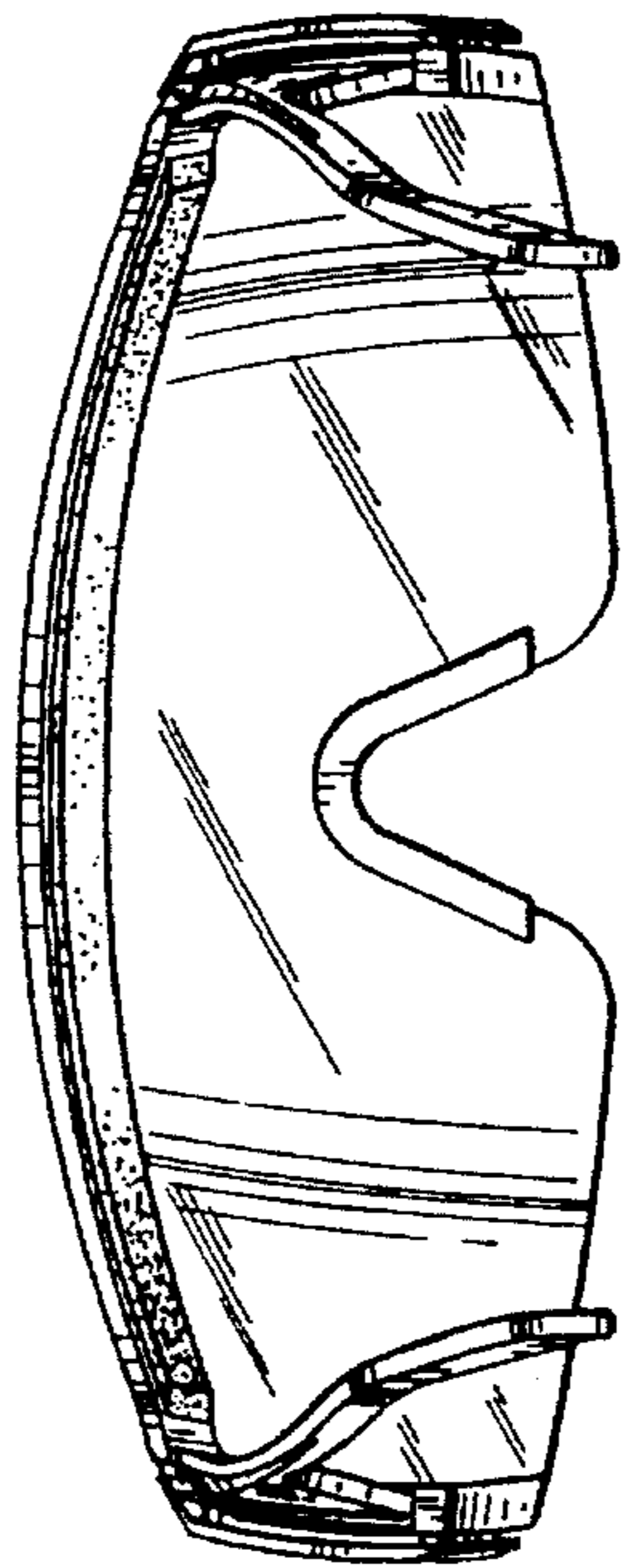




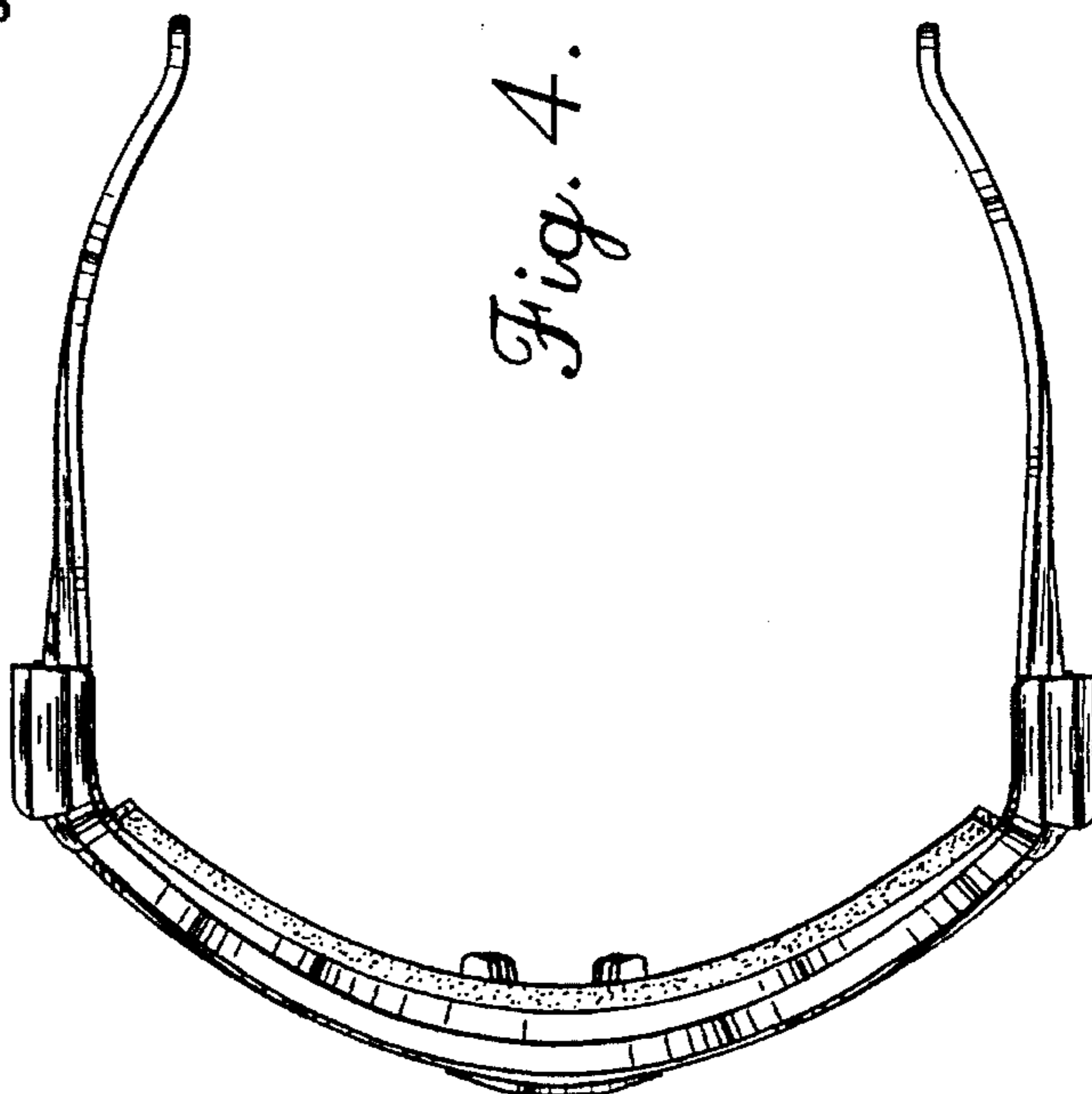
*Fig. 2.*



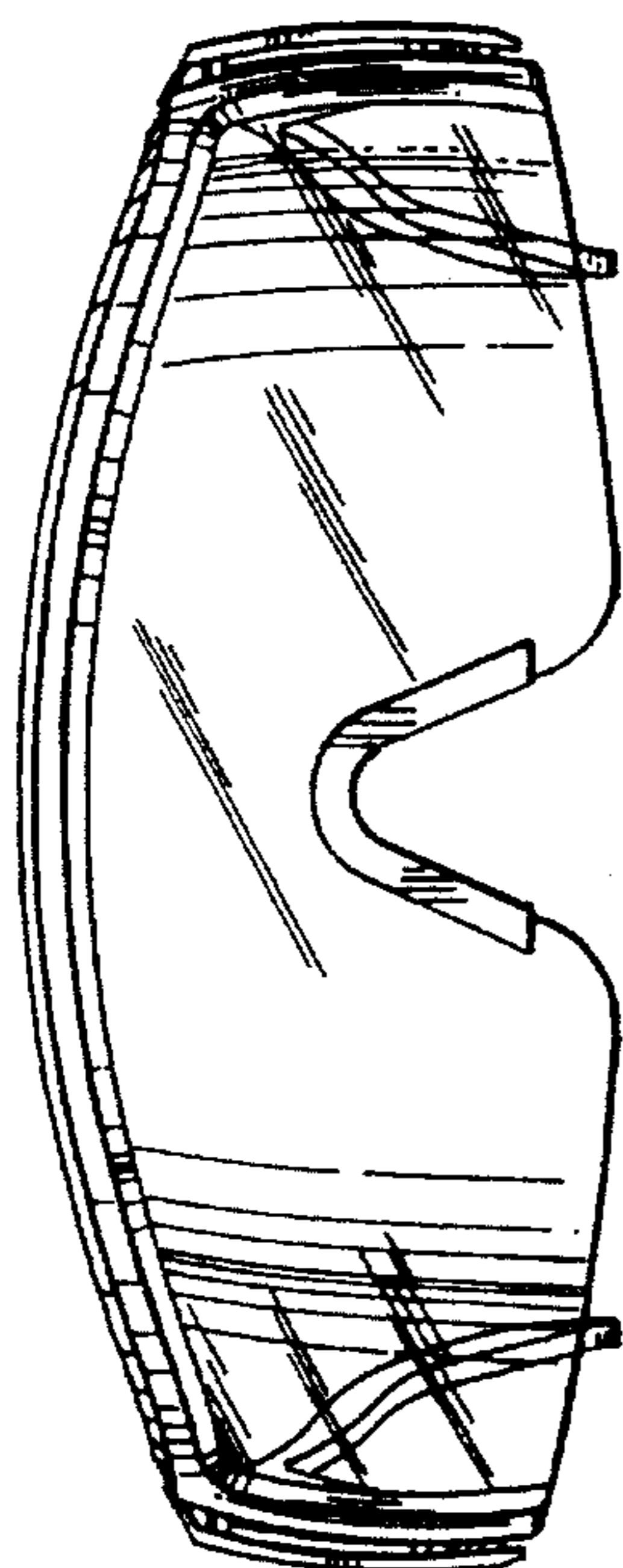
*Fig. 5.*



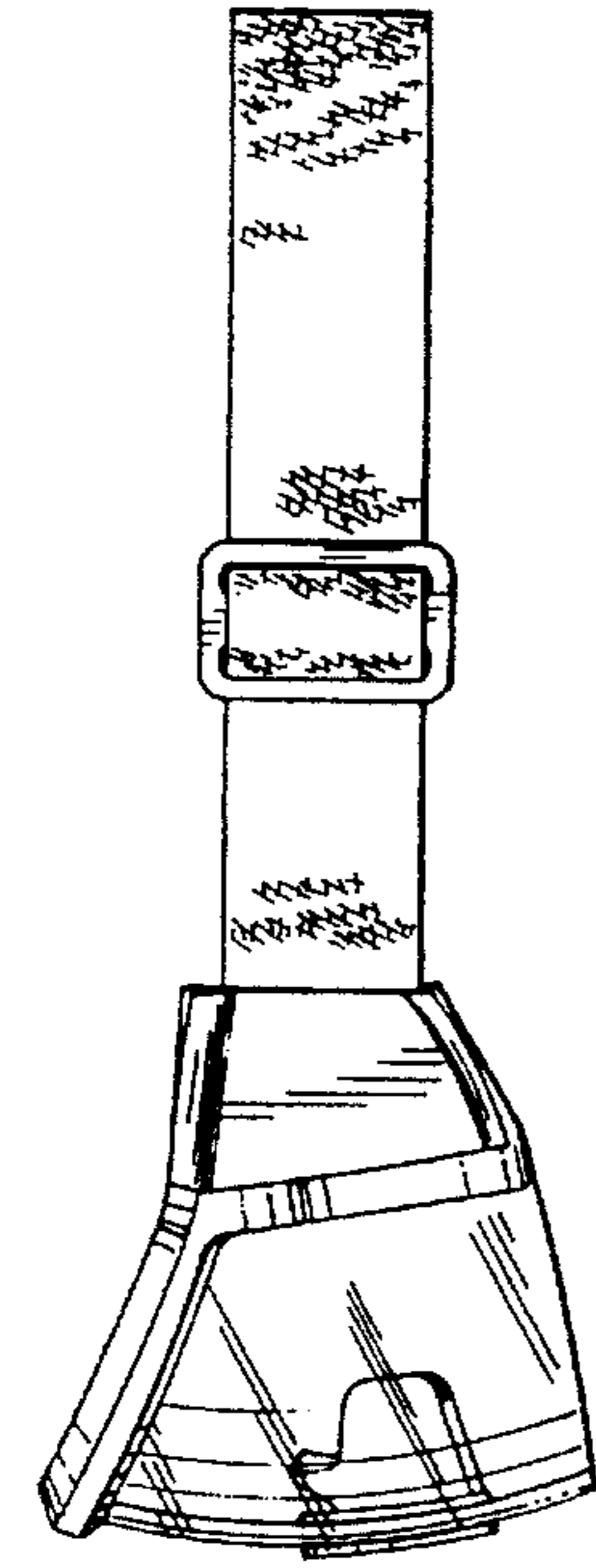
*Fig. 3.*



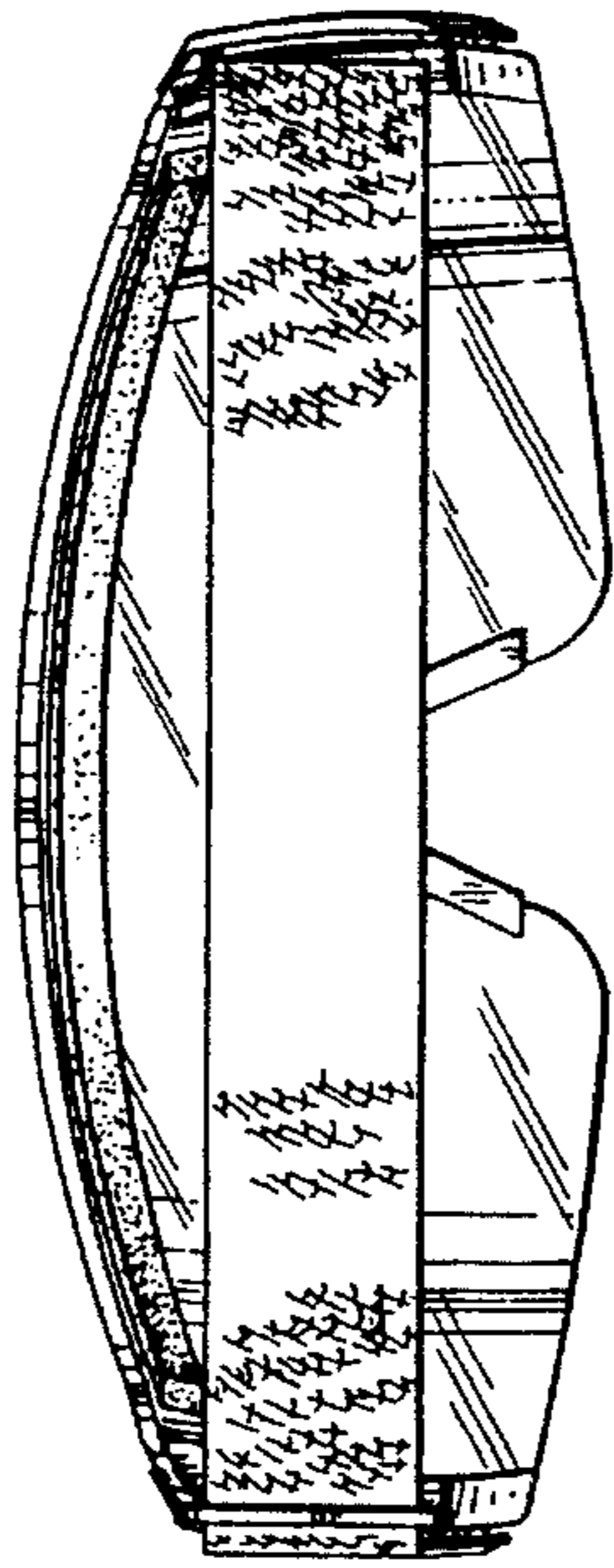
*Fig. 4.*



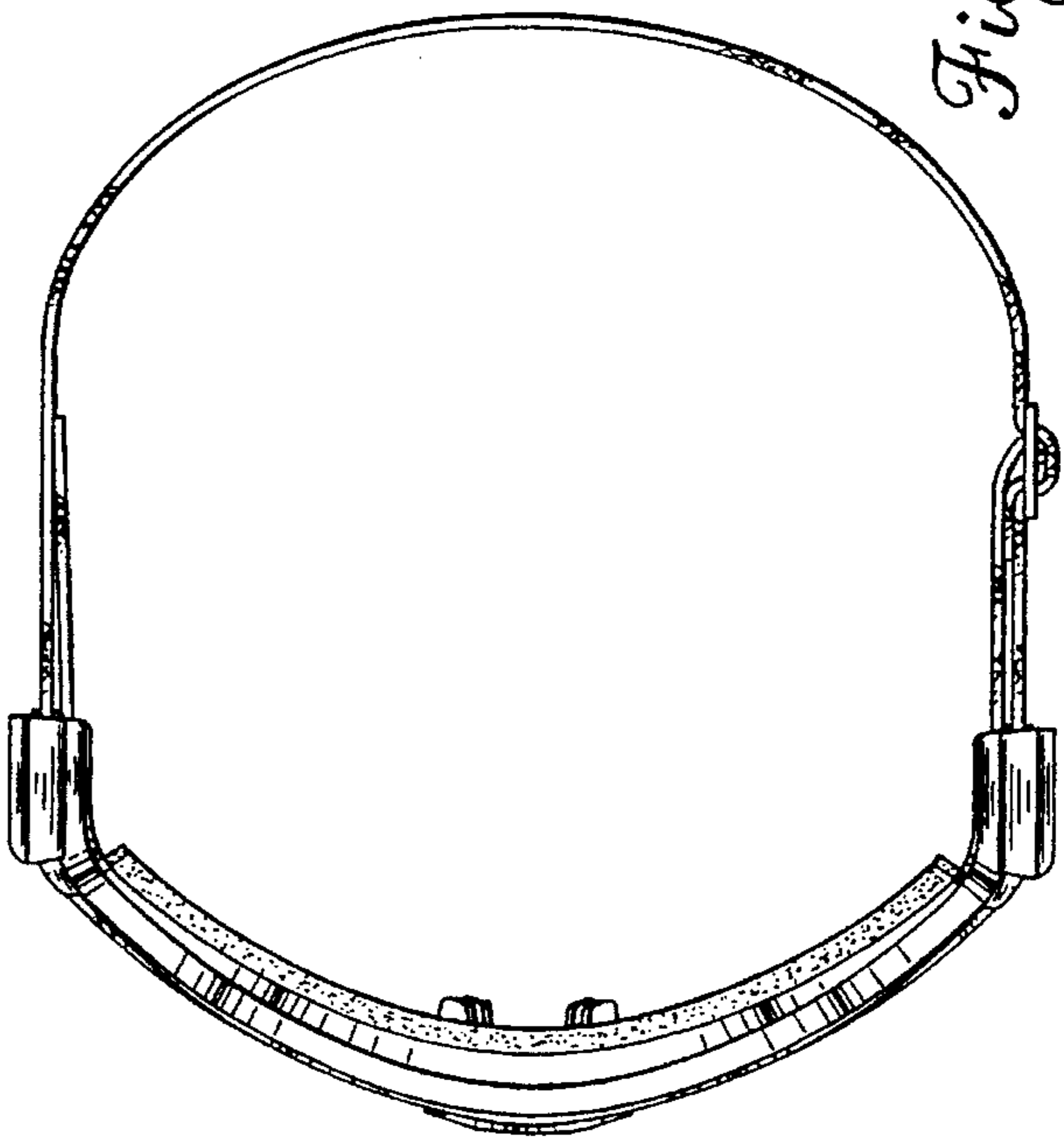
*Fig. 1.*



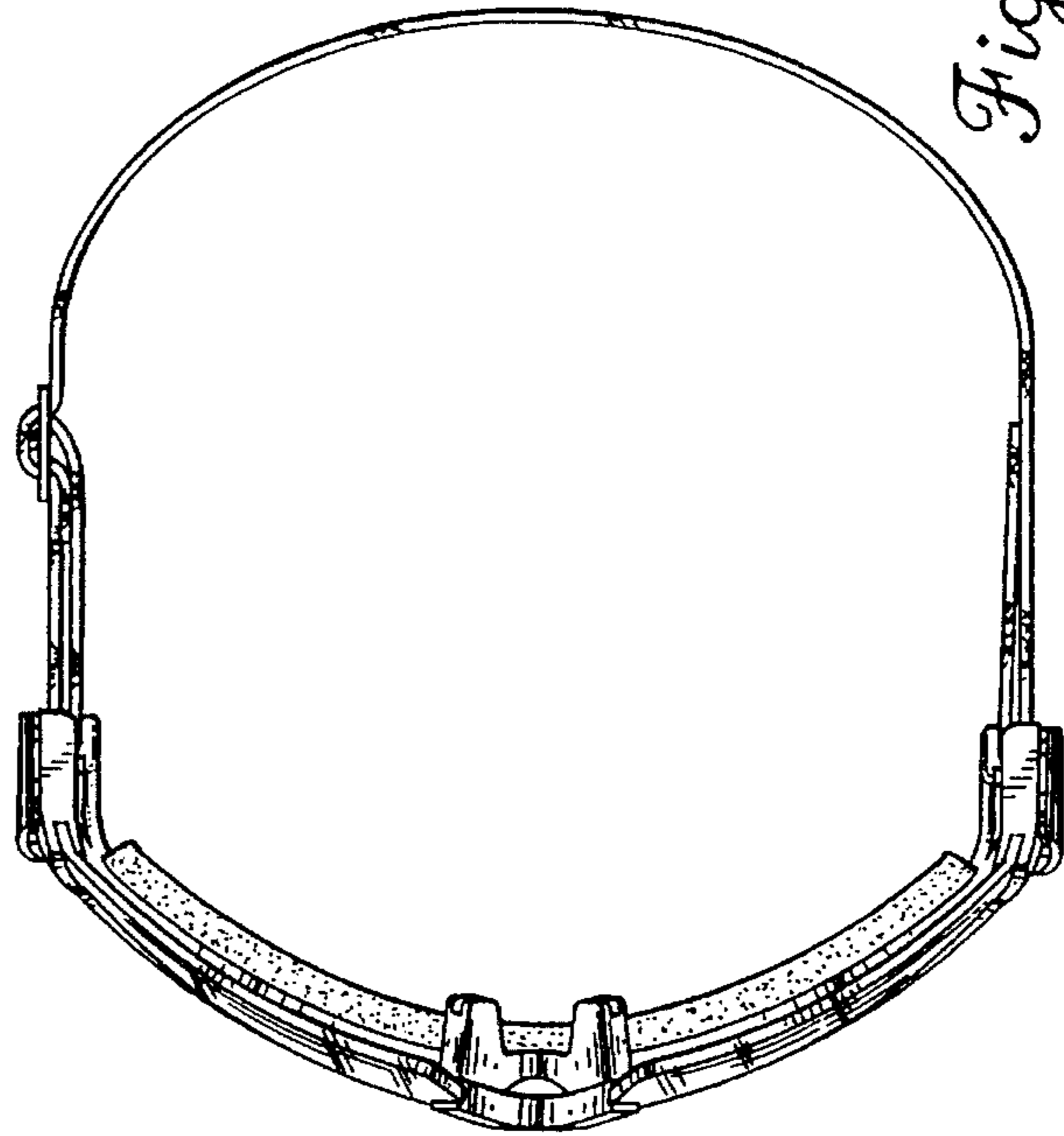
*Fig. 7.*



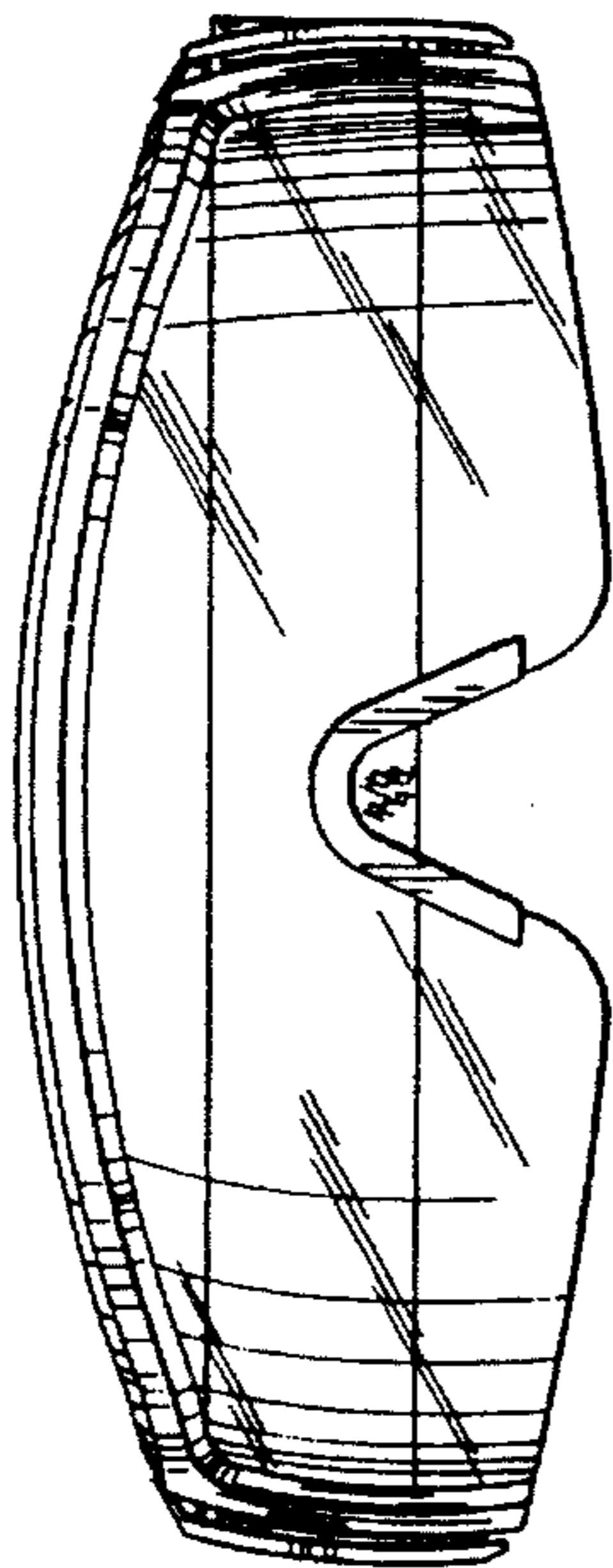
*Fig. 8.*



*Fig. 9.*



*Fig. 10.*



*Fig. 6.*