



US00D369171S

United States Patent [19]
Jönson

[11] **Patent Number: Des. 369,171**
[45] **Date of Patent: **Apr. 23, 1996**

[54] **EMBROIDERING UNIT FOR SEWING MACHINE**

5,167,194 12/1992 Nakagaki 112/121.12
5,277,139 1/1994 Honeycutt 112/121.12
5,323,722 6/1994 Goto et al. 112/121.12

[75] Inventor: **Åke B. Jönson**, Jönköping, Sweden

Primary Examiner—Sandra L. Morris
Attorney, Agent, or Firm—Pearne, Gordon, McCoy & Granger

[73] Assignee: **Aktiebolaget Electrolux**, Stockholm, Sweden

[**] Term: **14 Years**

[57] **CLAIM**

[21] Appl. No.: **29,015**

The ornamental design for an embroidering unit for sewing machine, as shown and described.

[22] Filed: **Sep. 27, 1994**

DESCRIPTION

[30] **Foreign Application Priority Data**

FIG. 1 is a front left perspective view of an embroidering unit for sewing machine, showing my new design;
FIG. 2 is a front right perspective view thereof;
FIG. 3 is a right side elevation thereof;
FIG. 4 is a left side elevation thereof;
FIG. 5 is a rear elevation thereof;
FIG. 6 is a front elevation thereof;
FIG. 7 is a top plan view thereof; and,
FIG. 8 is a bottom plan view thereof.

Apr. 12, 1994 [SE] Sweden 940835

[52] **U.S. Cl.** **D15/72; D15/66**

[58] **Field of Search** **D15/66-72, 76; 112/121.11, 121.12, 217.1-217.4, 258-262.1**

[56] **References Cited**

U.S. PATENT DOCUMENTS

D. 284,578 7/1986 Yoneda D15/72
D. 294,080 2/1988 Golia et al. D15/66

1 Claim, 4 Drawing Sheets

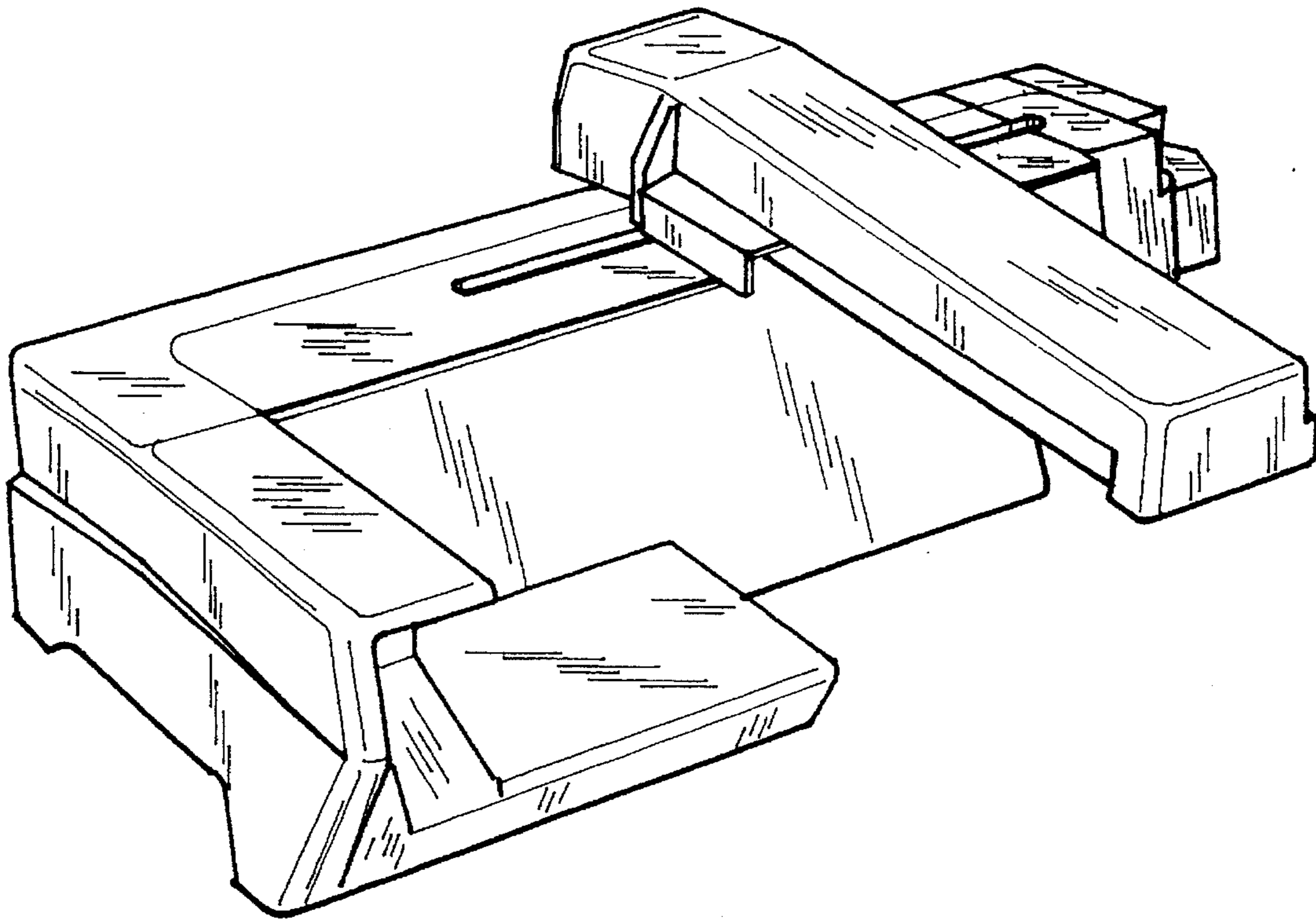


Fig. 1

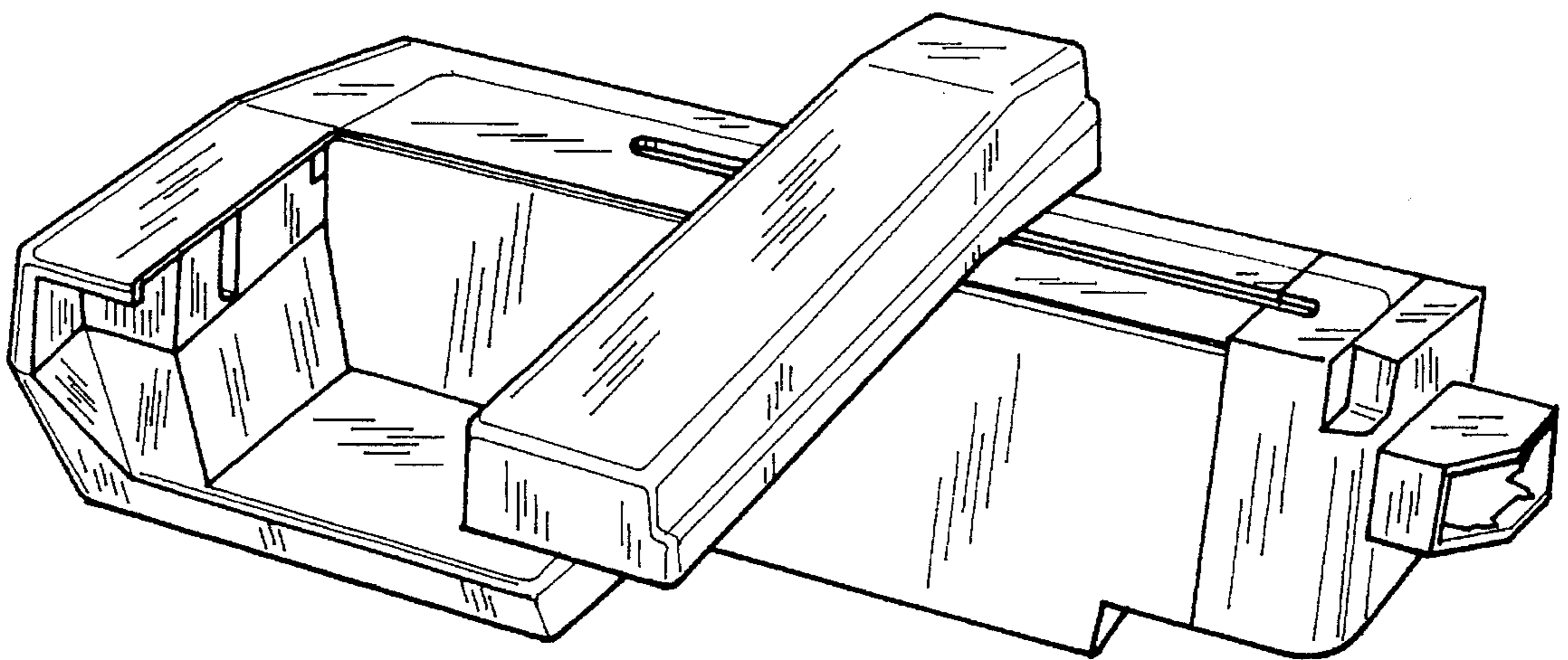
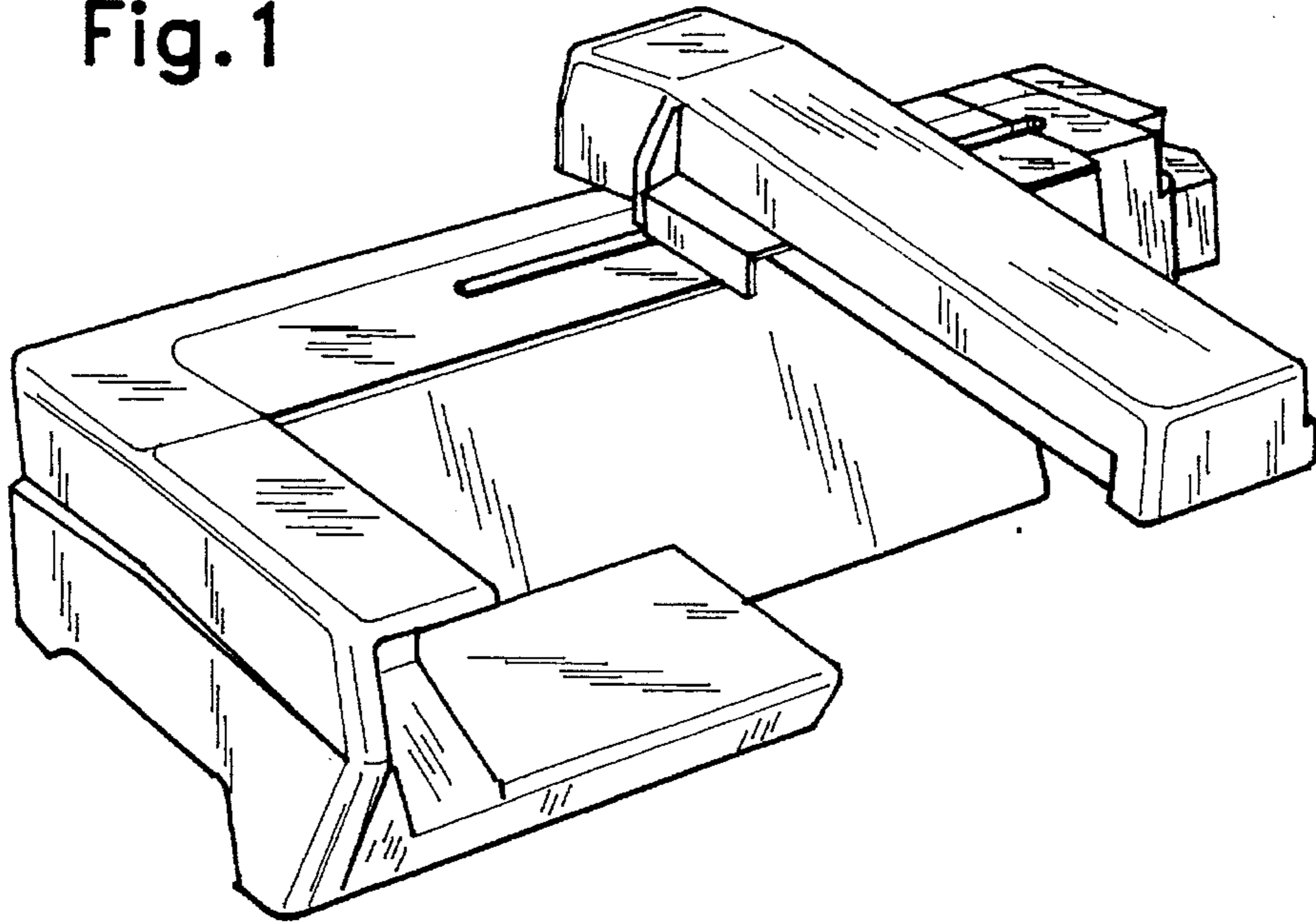


Fig. 2

Fig.3

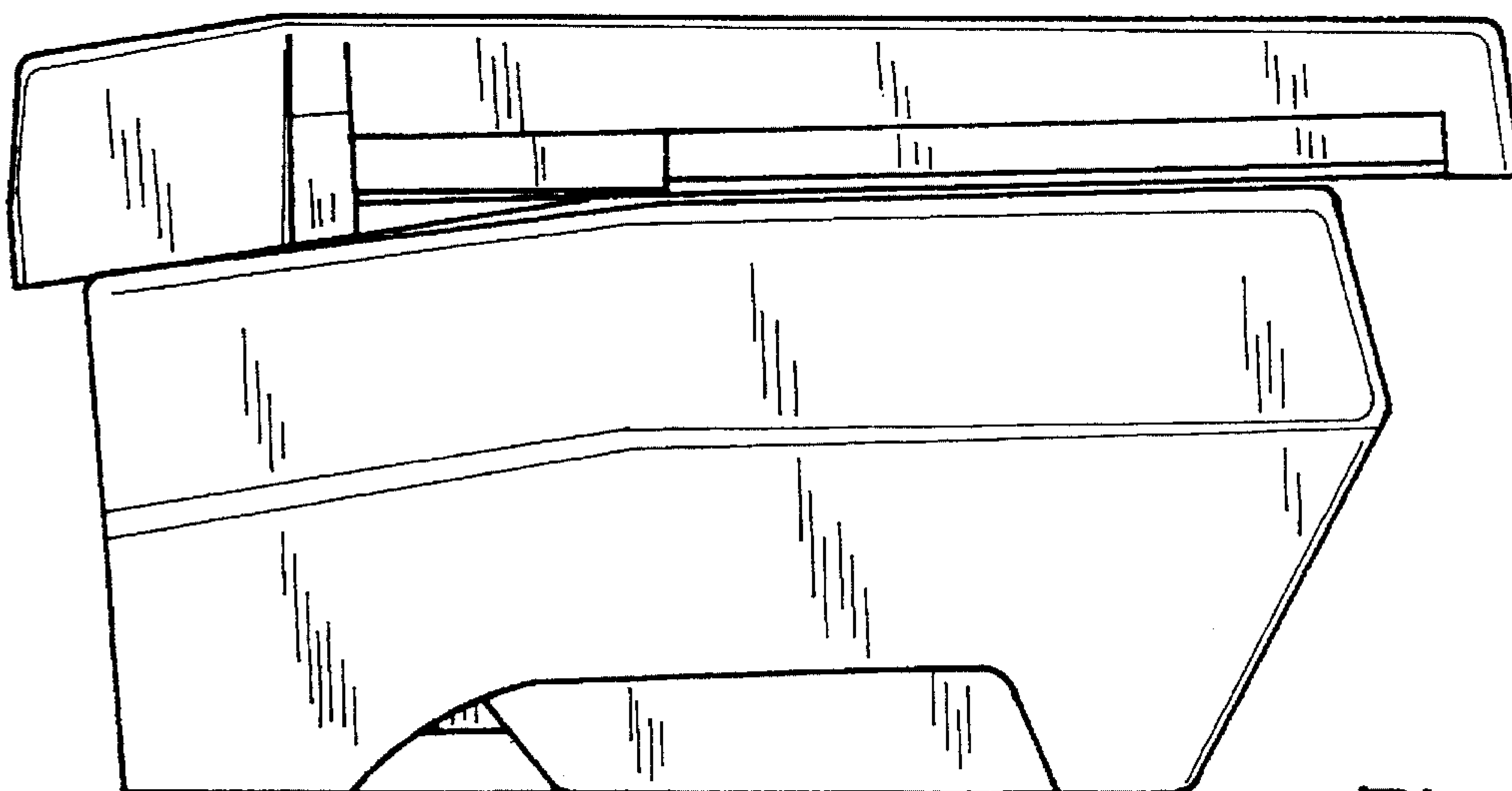
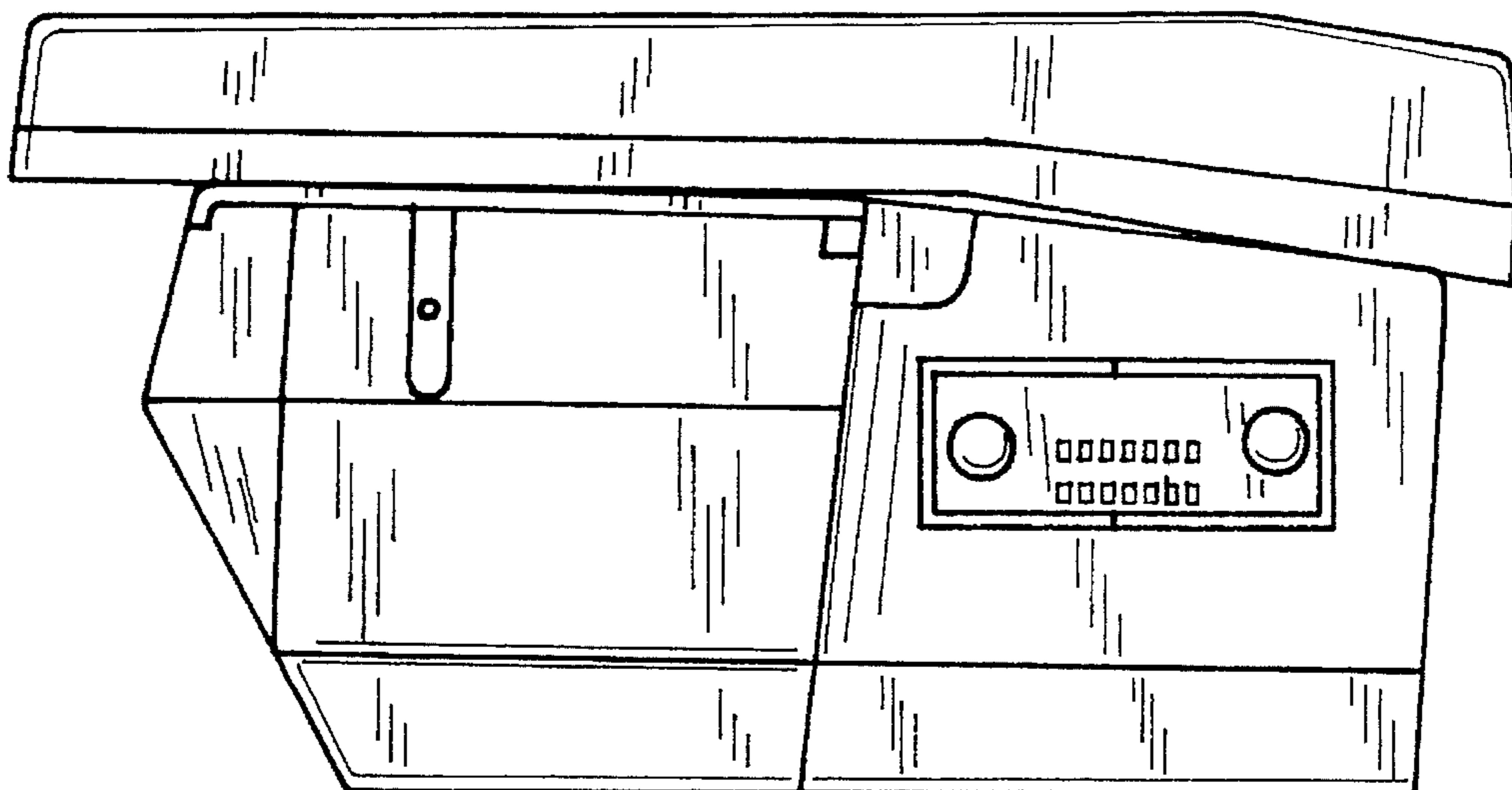


Fig.4

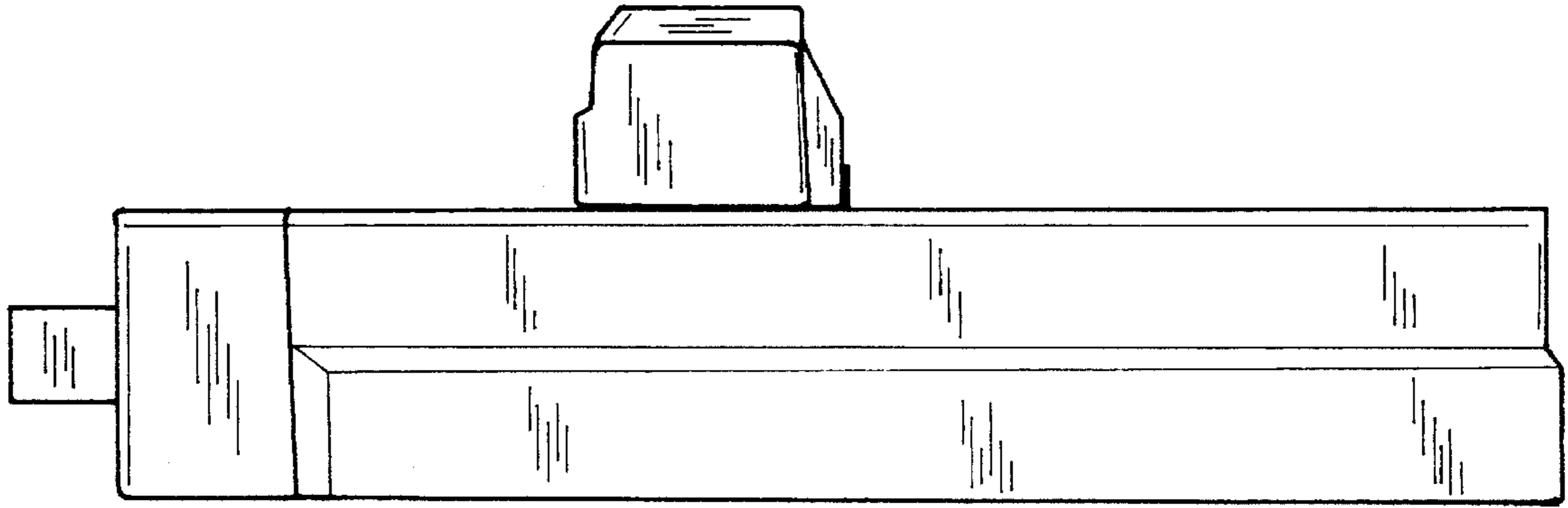


Fig. 5

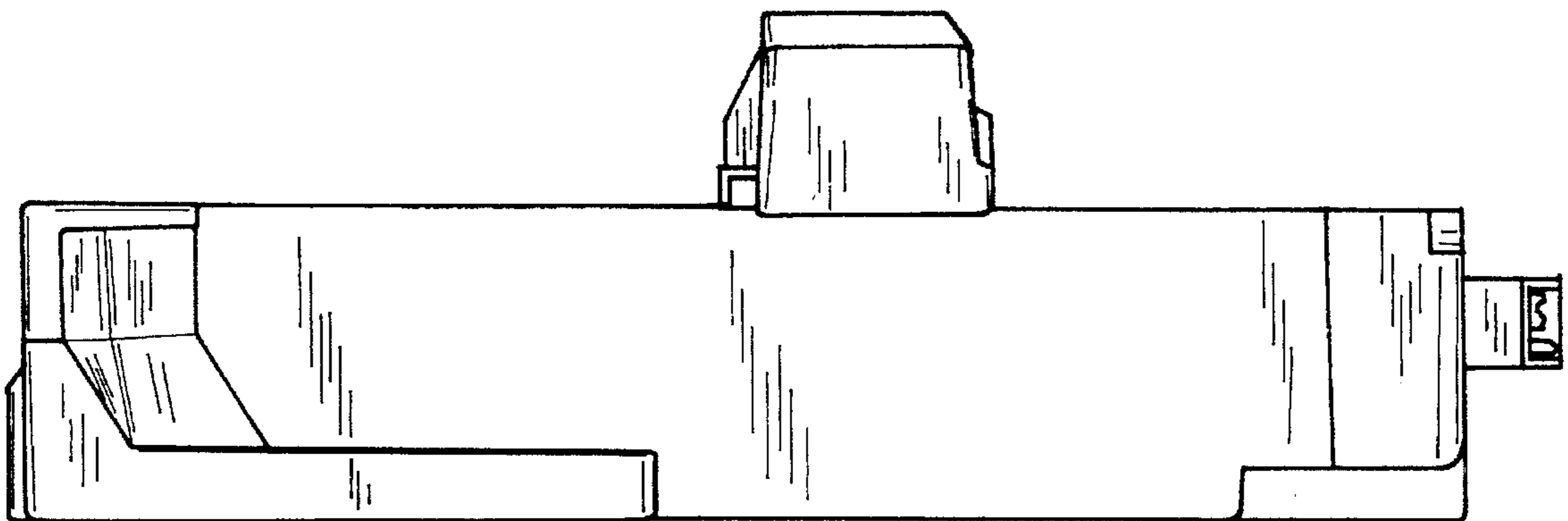


Fig. 6

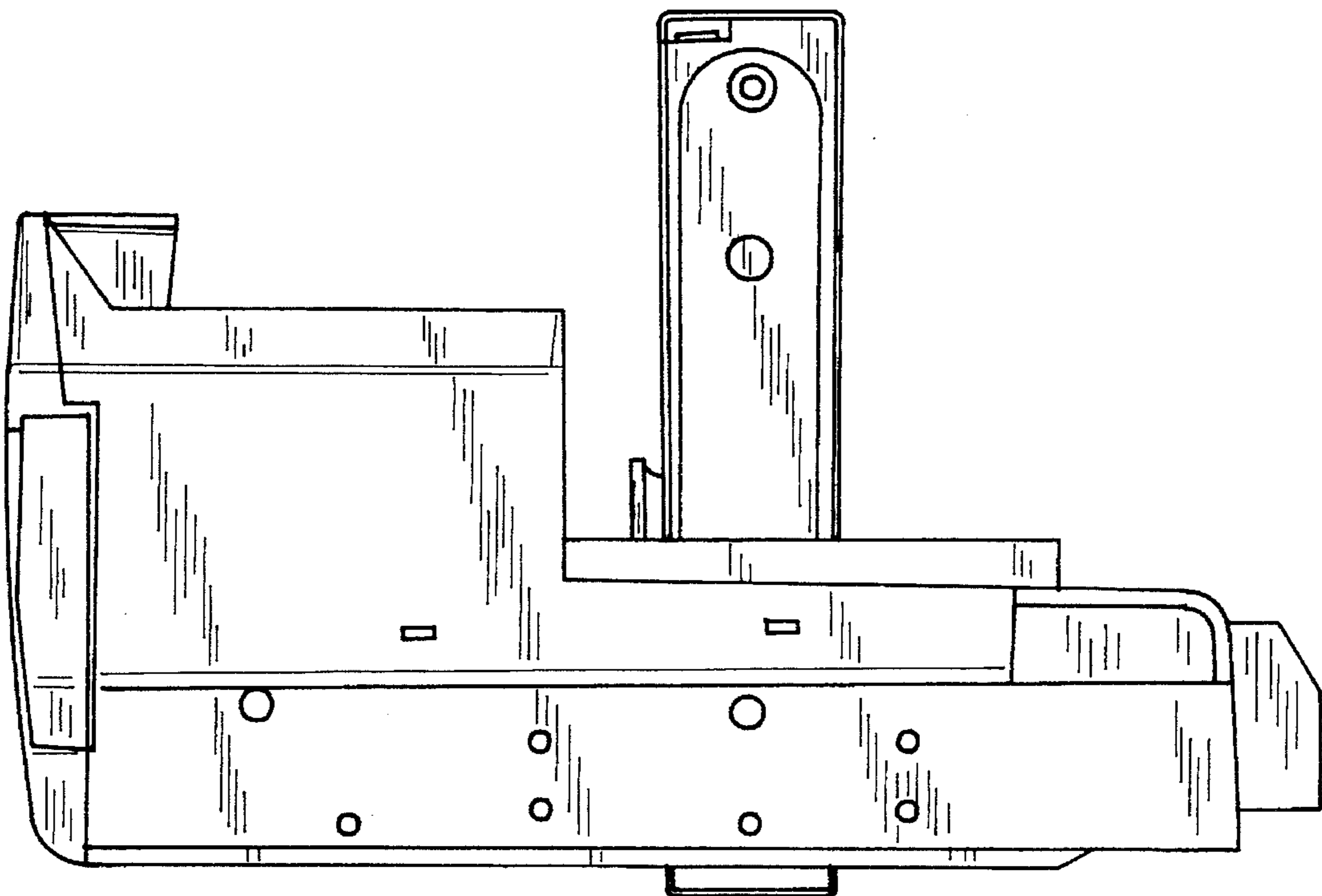
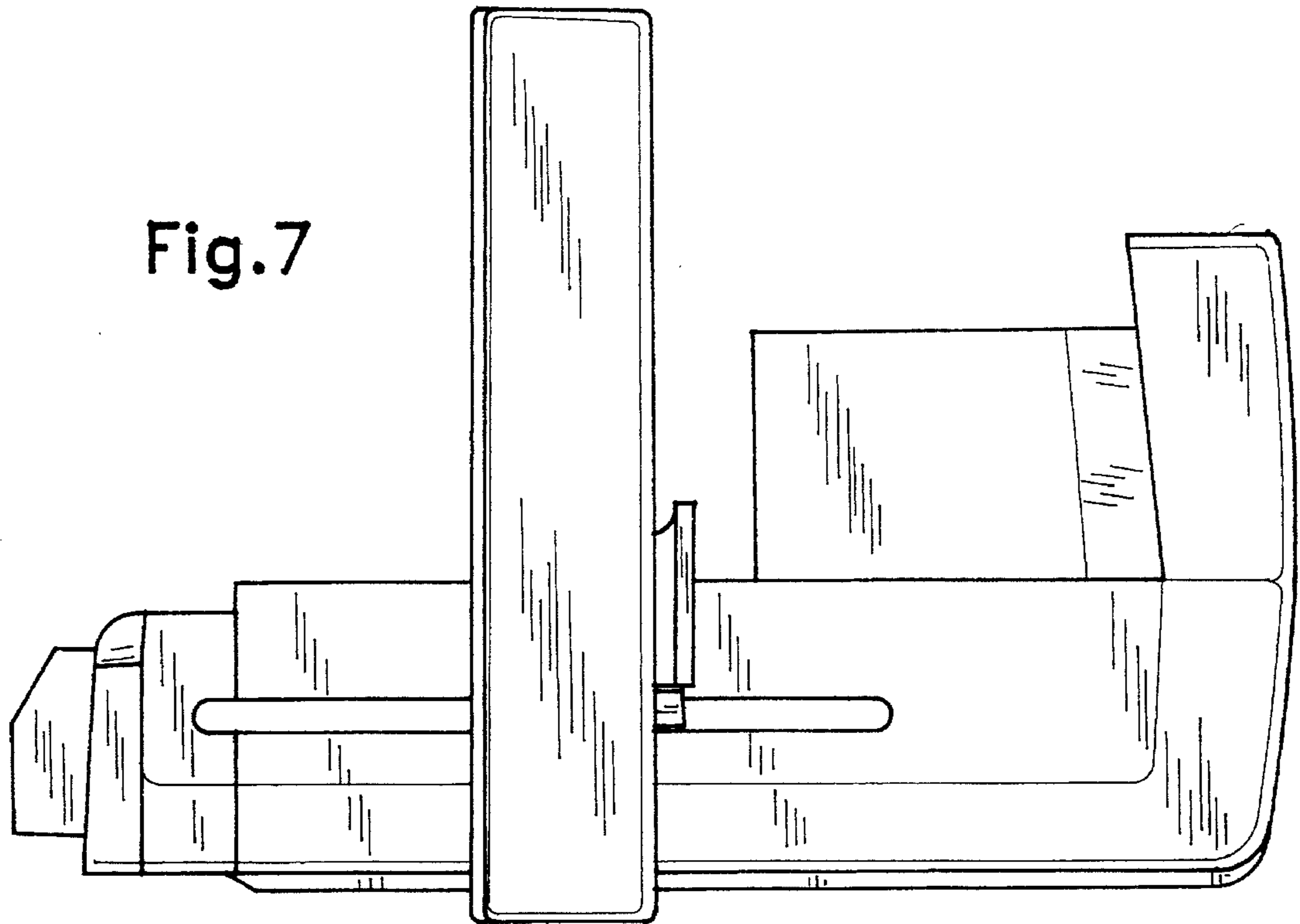


Fig.8

UNITED STATES PATENT AND TRADEMARK OFFICE
CERTIFICATE OF CORRECTION

PATENT NO. : Des. 369,171
DATED : April 23, 1996
INVENTOR(S) : Jonsson

It is certified that error appears in the above-identified patent and that said Letters Patent is hereby corrected as shown below:

Title page, item [75], Inventor: should be--Ake B. Jonsson, Jonkoping, Sweden--.

Signed and Sealed this
Thirtieth Day of July, 1996



BRUCE LEHMAN

Commissioner of Patents and Trademarks

Attest:

Attesting Officer