



US00D369170S

United States Patent [19]

Beaumont et al.

[11] Patent Number: **Des. 369,170**

[45] Date of Patent: ****Apr. 23, 1996**

[54] **HOUSING FOR A CELLULAR BASE UNIT**

[75] Inventors: **Thomas G. Beaumont**, Bedford;
Alfred D. Meyers, Arlington, both of
Tex.

[73] Assignee: **Motorola, Inc.**, Schaumburg, Ill.

[**] Term: **14 Years**

[21] Appl. No.: **30,994**

[22] Filed: **Nov. 14, 1994**

[52] U.S. Cl. **D14/240**; D13/184

[58] Field of Search D14/140, 142,
D14/240, 100, 107, 114; D6/432, 433, 446,
448; 379/399, 412, 413, 442, 440, 419,
420; 361/600, 686, 724-728; D13/162,
164, 184

[56] **References Cited**

U.S. PATENT DOCUMENTS

- D. 281,315 11/1985 Kjod D13/184
- D. 303,664 9/1989 Harden et al. D13/184 X
- D. 314,770 2/1991 Desbarats D14/240

- D. 318,874 8/1991 Pushelberg et al. D13/184 X
- D. 350,339 9/1994 Carroll et al. D14/107
- D. 354,480 1/1995 Agata et al. D14/107
- D. 356,302 3/1995 Studebaker et al. D14/107
- 5,363,440 11/1994 Daoud 379/412 X

Primary Examiner—Jeffrey Asch
Attorney, Agent, or Firm—Richard A. Sonnentag

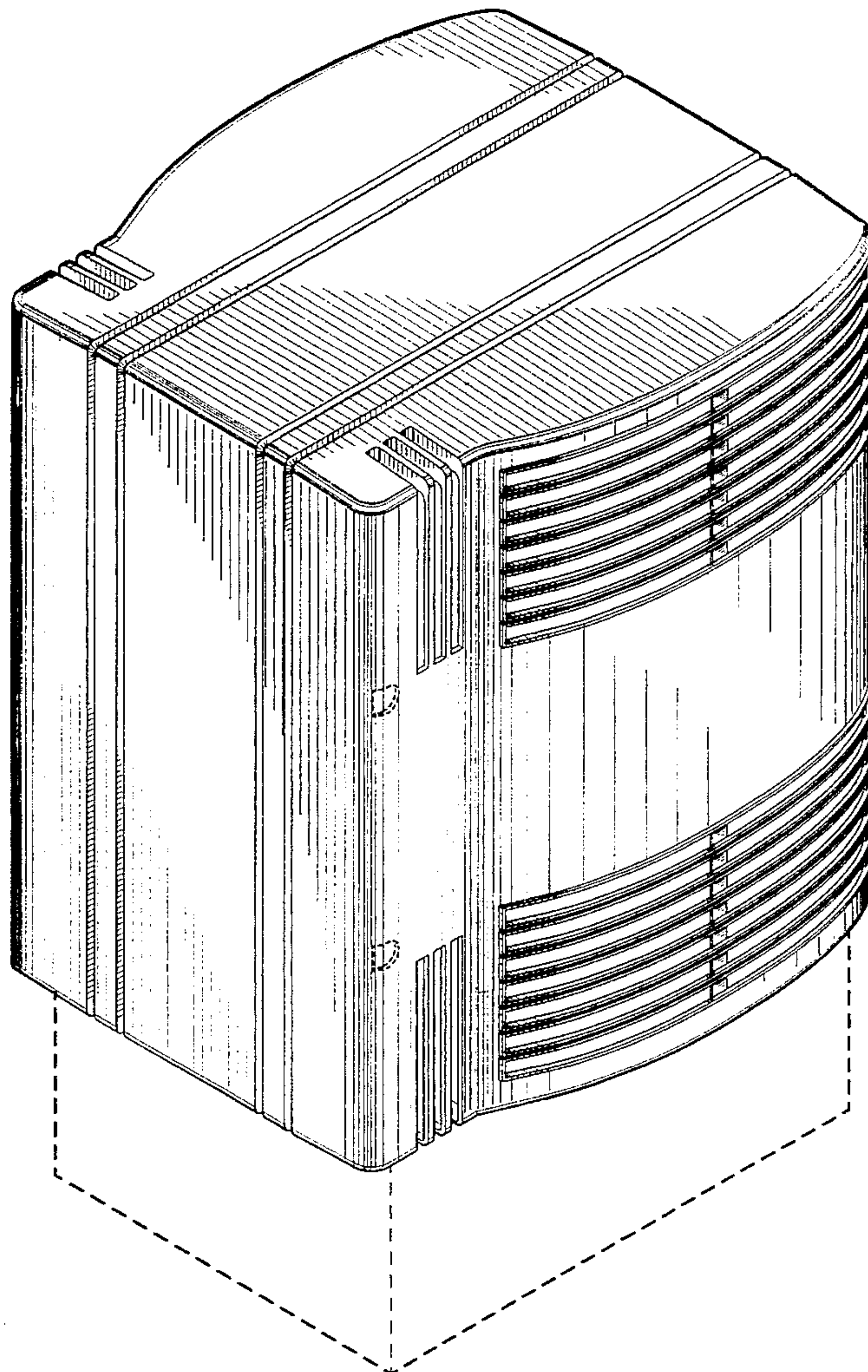
[57] **CLAIM**

The ornamental design for a housing for a cellular base unit, as shown and described.

DESCRIPTION

FIG. 1 is a left rear perspective view of a housing for a cellular base unit in accordance with the present invention; FIG. 2 is a left side elevational view of the housing of FIG. 1, the right side elevational view is a symmetrically opposite view; FIG. 3 is a front elevational view of the housing of FIG. 1; and, FIG. 4 is a top plan view of the housing of FIG. 1. The broken line showings of FIGS. 1-3 are for illustrative purposes only and form no part of the claimed design.

1 Claim, 3 Drawing Sheets



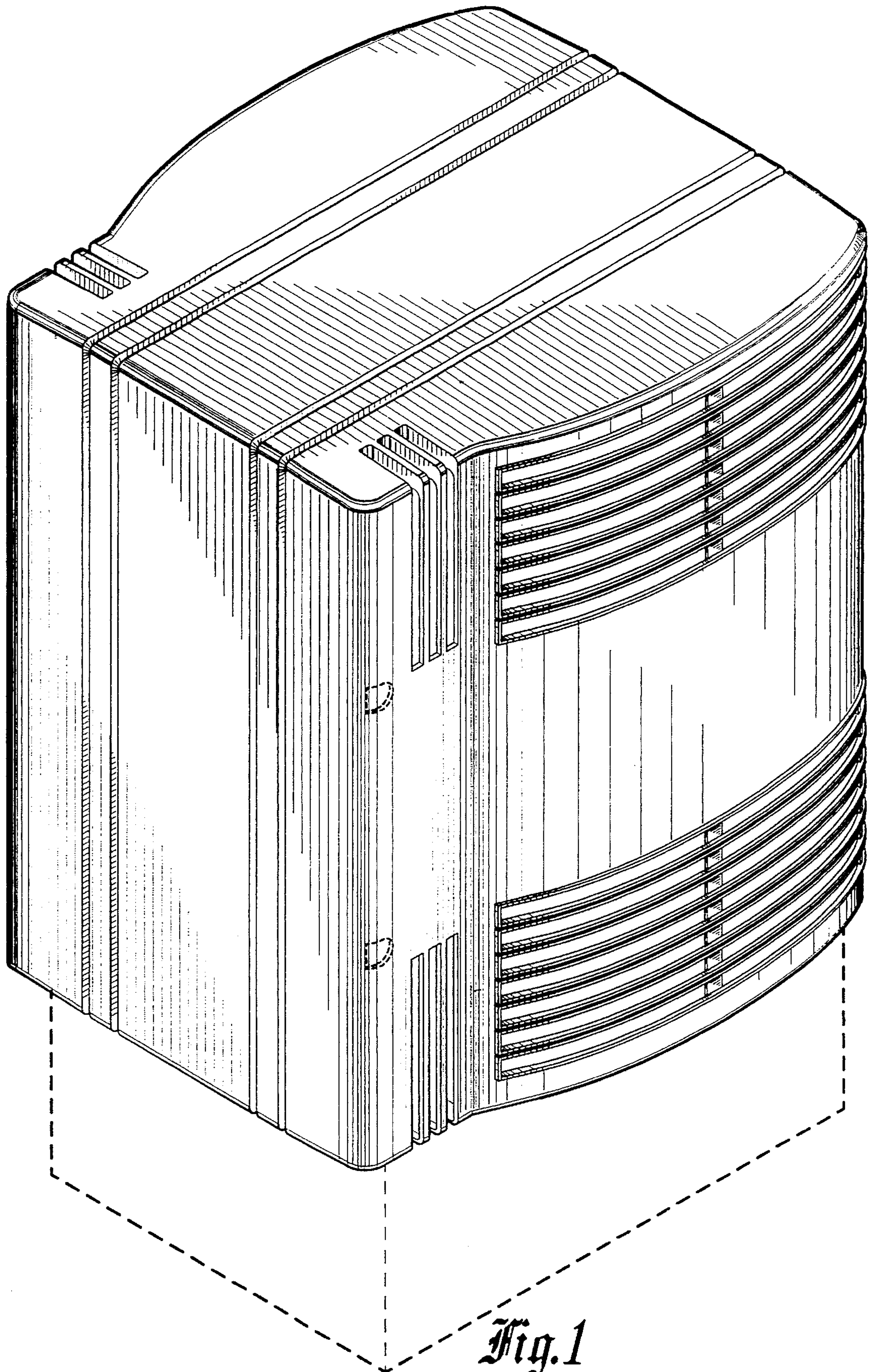


Fig. 1

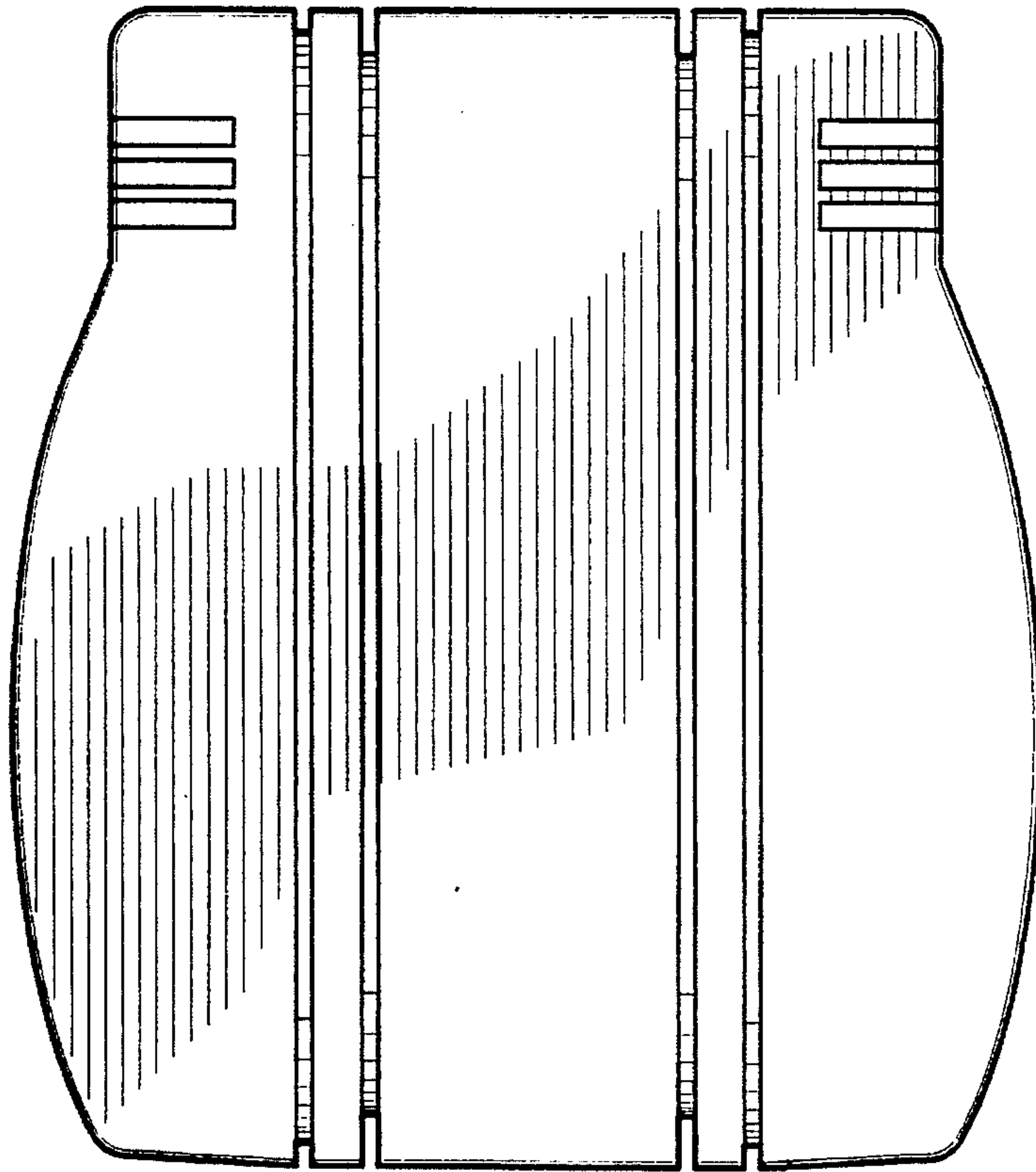


Fig. 4

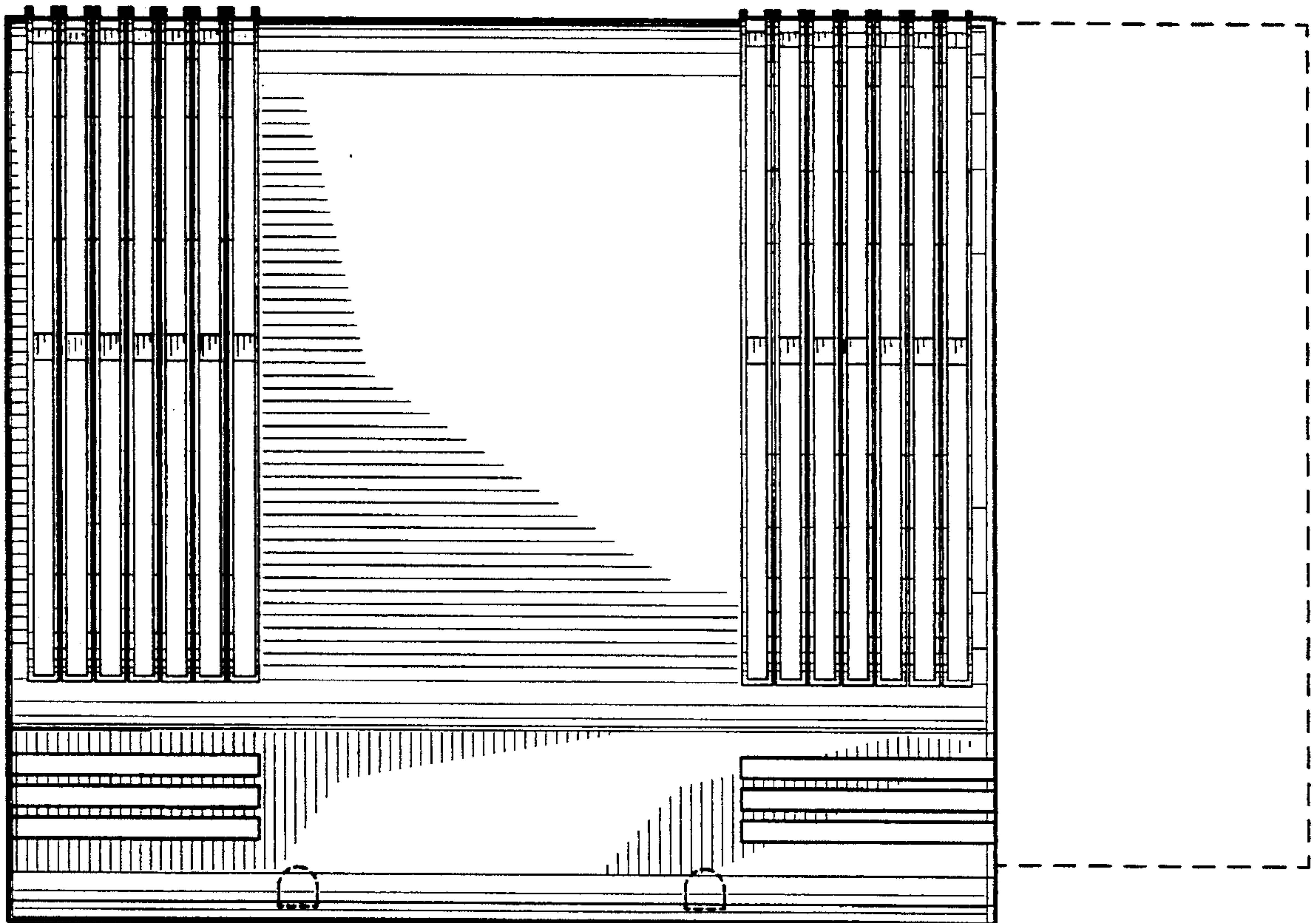


Fig. 2

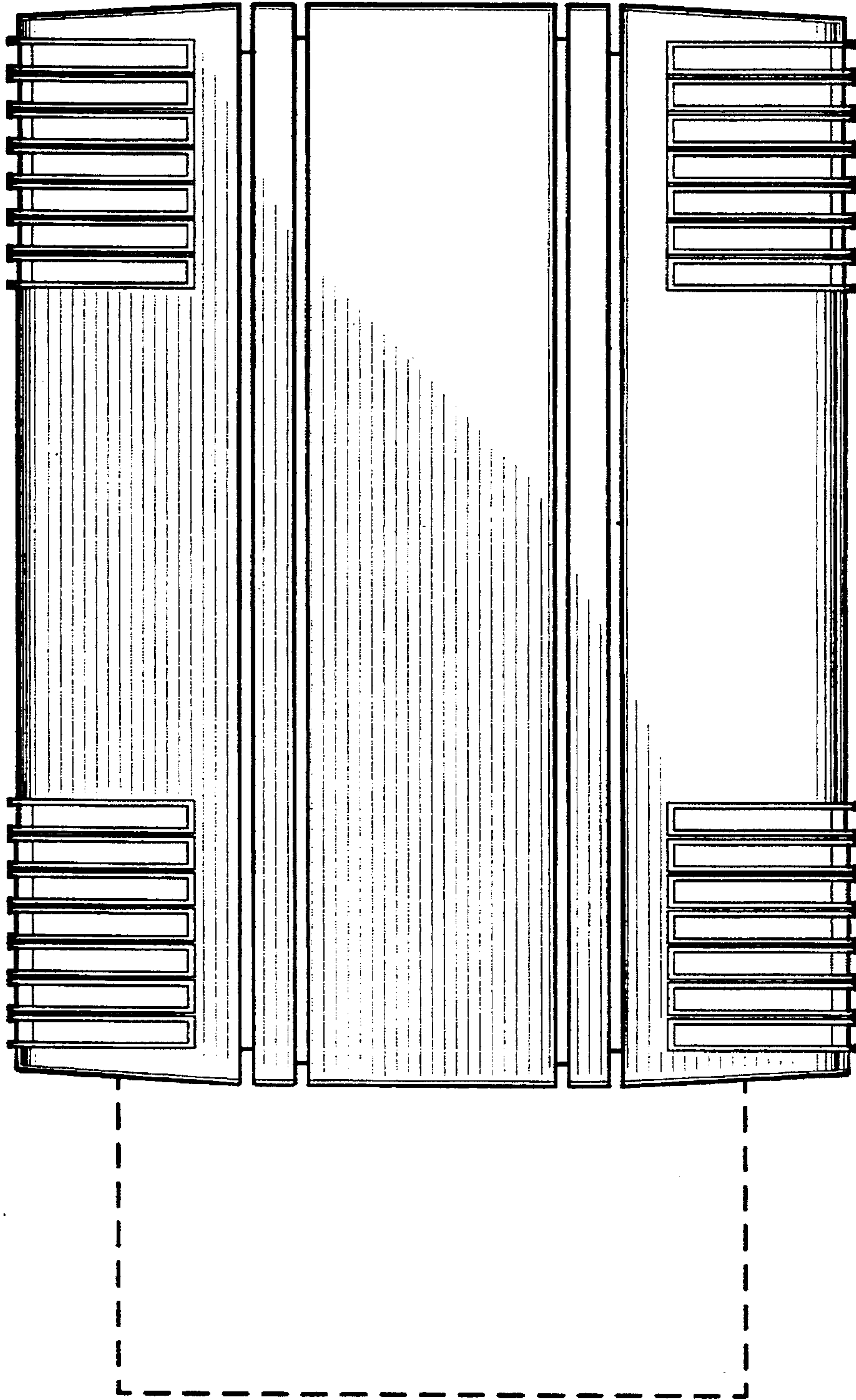


Fig. 3