



US00D369163S

United States Patent [19]

Leung et al.

[11] Patent Number: **Des. 369,163**

[45] Date of Patent: ****Apr. 23, 1996**

[54] TELEPHONE SET

[75] Inventors: **Pak Y. Leung; Daniel C. F. Leung,**
both of Hong Kong, Hong Kong

[73] Assignee: **Victory Concept Industries Ltd.,**
Hong Kong, Hong Kong

[**] Term: **14 Years**

[21] Appl. No.: **40,650**

[22] Filed: **Jun. 23, 1995**

[52] U.S. Cl. **D14/150; D14/148**

[58] Field of Search D14/138, 140,
D14/141, 142, 148, 149, 150, 151, 240,
241, 248, 251, 253; D13/107, 108; 379/420,
368, 428, 433, 434, 436, 454, 455, 432,
419, 421, 440

[56] **References Cited**

U.S. PATENT DOCUMENTS

D. 206,590	1/1967	Haggstrom et al.	D13/108
D. 234,851	4/1975	Tyson et al.	D14/149
D. 245,500	8/1977	Fukushima et al.	D14/148
D. 265,088	6/1982	Janda et al.	D14/149
D. 272,064	1/1984	Coons et al.	D14/147 X
D. 275,392	9/1984	Breger	D14/147
D. 313,221	12/1990	Skully et al.	D13/108
D. 327,060	6/1992	Wachob et al.	D14/138

D. 348,062	6/1994	Iseli et al.	D14/148 X
D. 352,282	11/1994	Toh et al.	D14/148 X
D. 359,283	6/1995	Rudkiewicz	D14/248 X

OTHER PUBLICATIONS

Swisstel Advertisement, ©1991, Telephone Set At Bottom Of Photo.

Primary Examiner—Jeffrey Asch
Attorney, Agent, or Firm—Beveridge, DeGrandi, Weilacher & Young

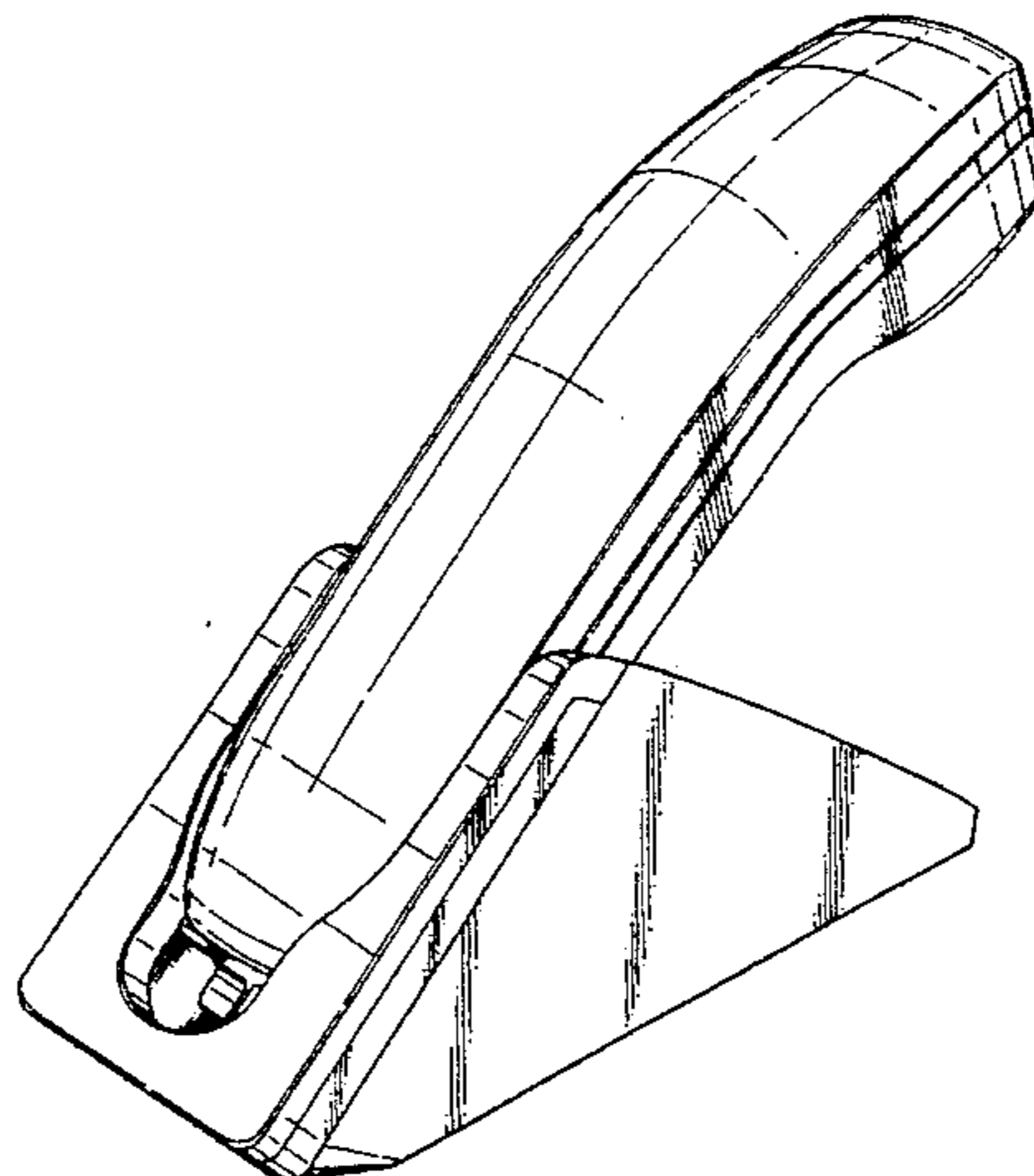
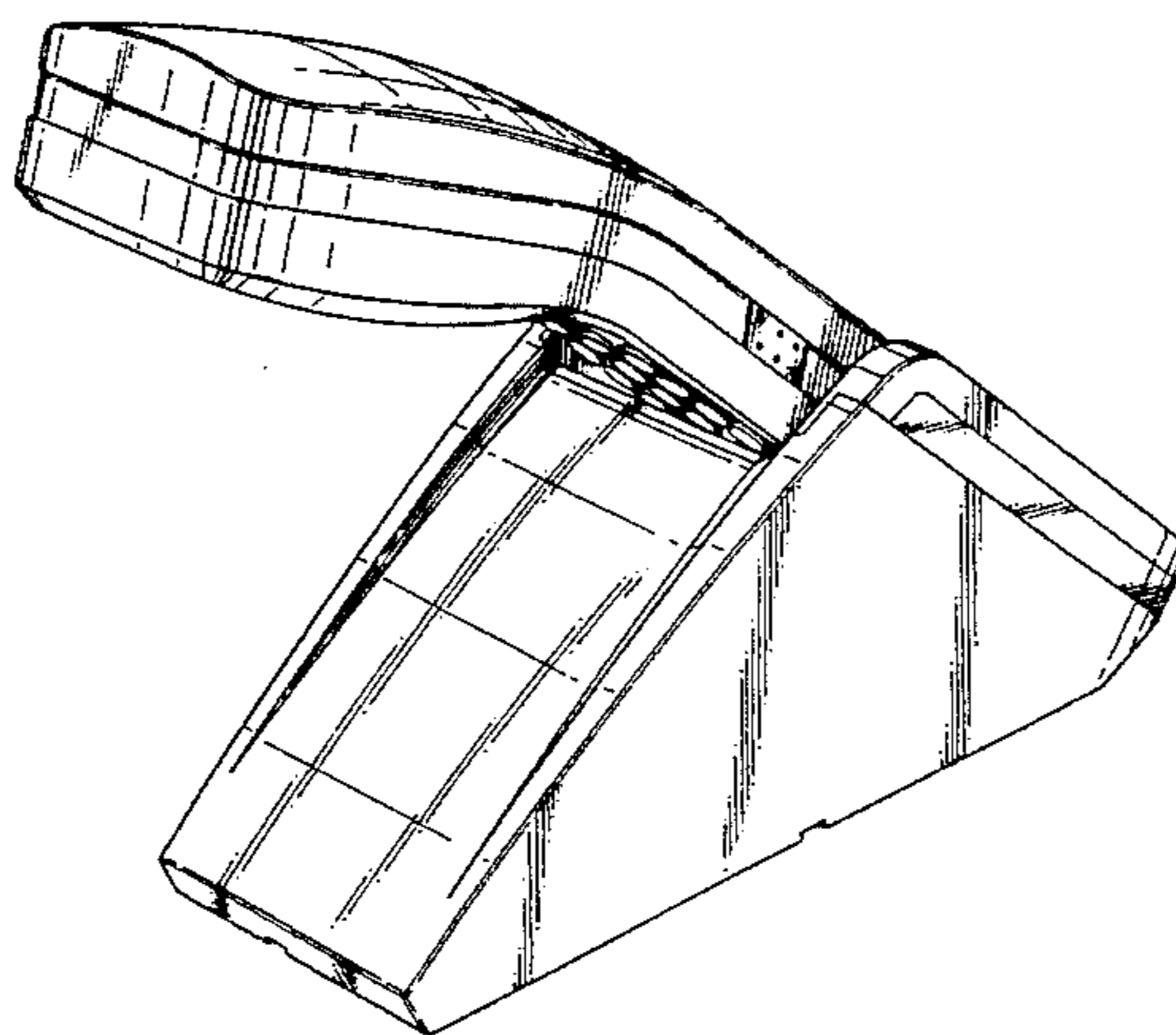
[57] **CLAIM**

The ornamental design for a telephone set, as shown and described.

DESCRIPTION

FIG. 1 is a right perspective view of a telephone set showing my new design;
FIG. 2 is a left perspective view of a telephone set showing my new design;
FIG. 3 is a front view thereof;
FIG. 4 is a rear view thereof;
FIG. 5 is a left side view thereof;
FIG. 6 is a right side view thereof;
FIG. 7 is a top view thereof;
FIG. 8 is a bottom view thereof; and,
FIG. 9 is a top view thereof with handset placed adjacently.

1 Claim, 7 Drawing Sheets



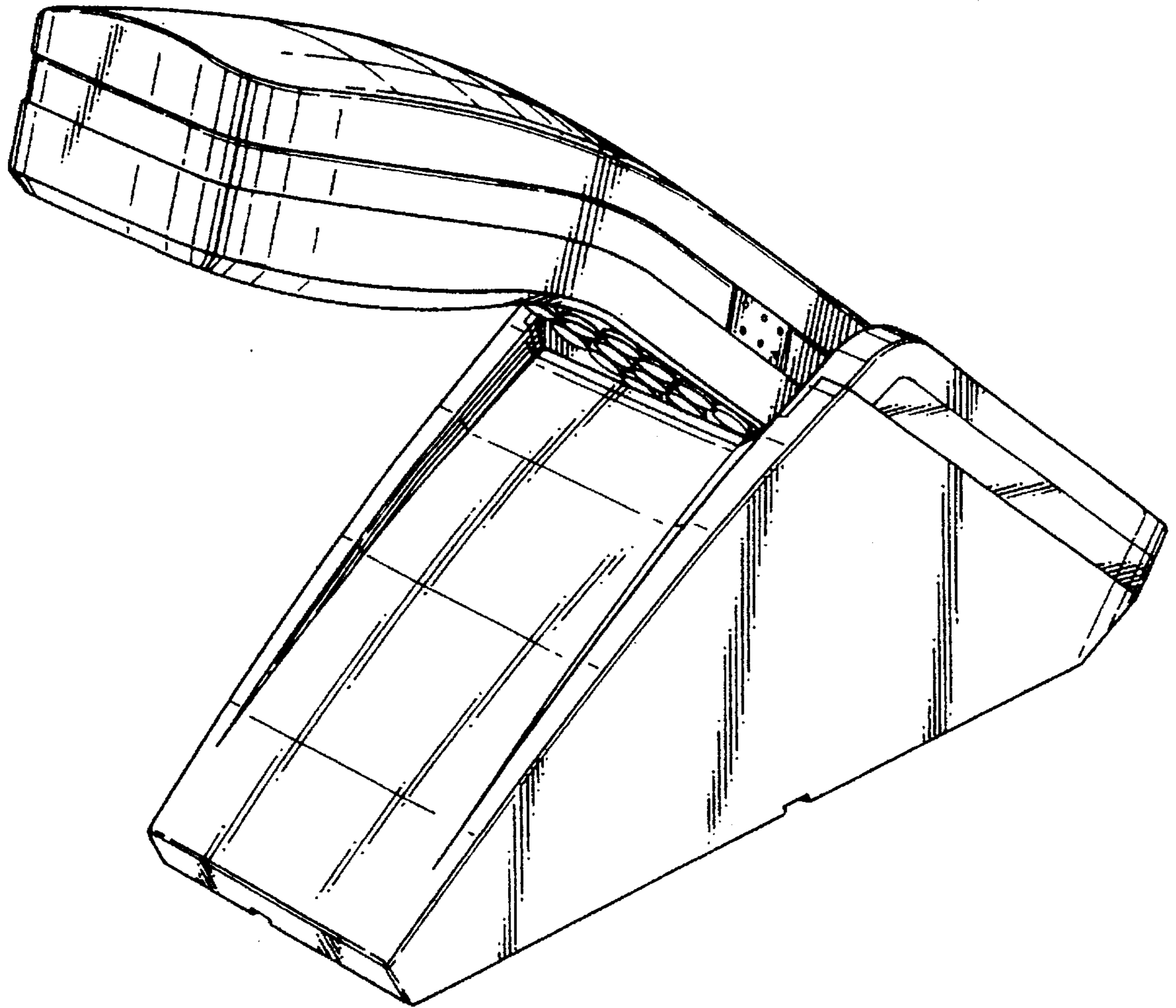


FIG. 1

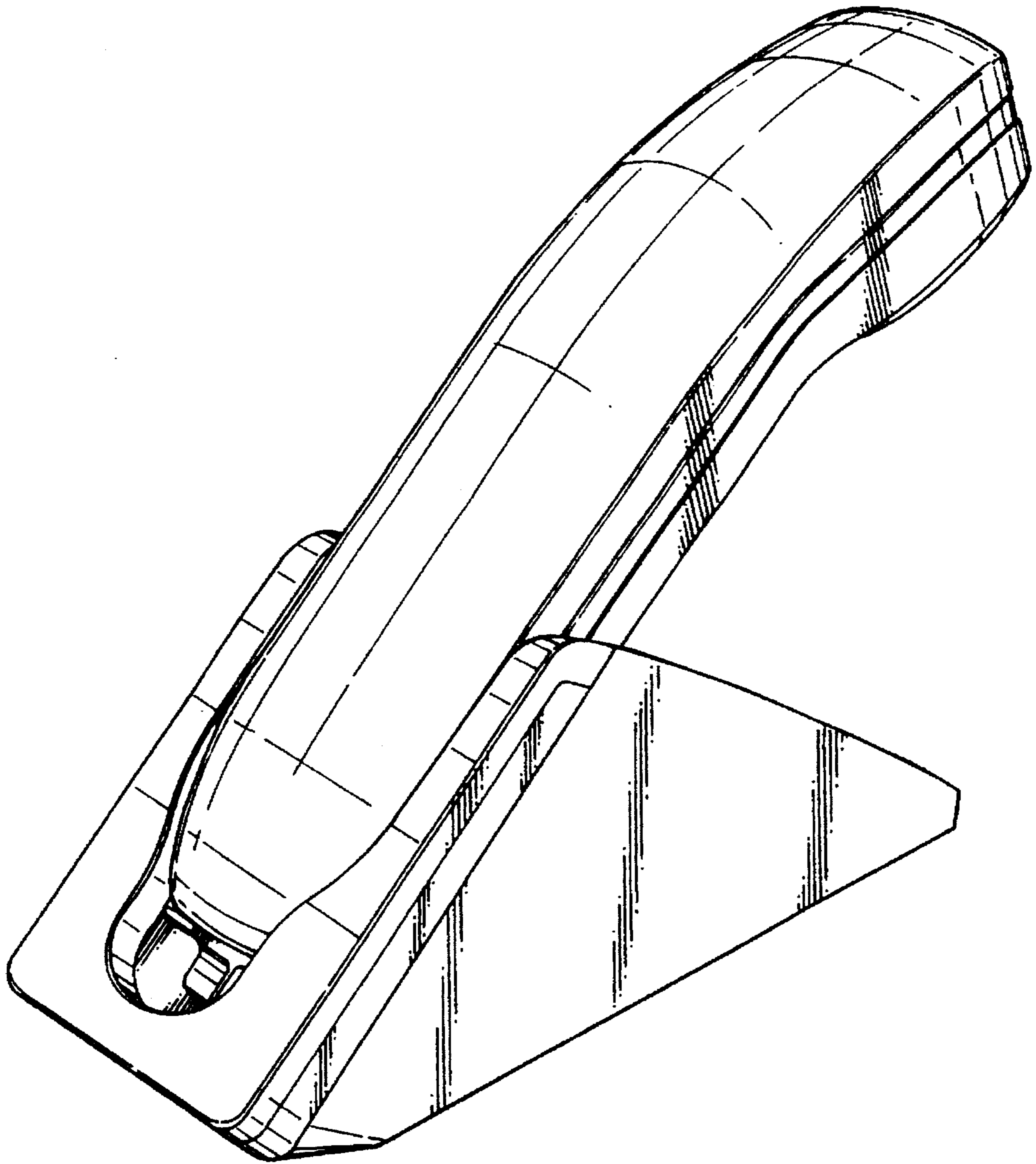


FIG. 2

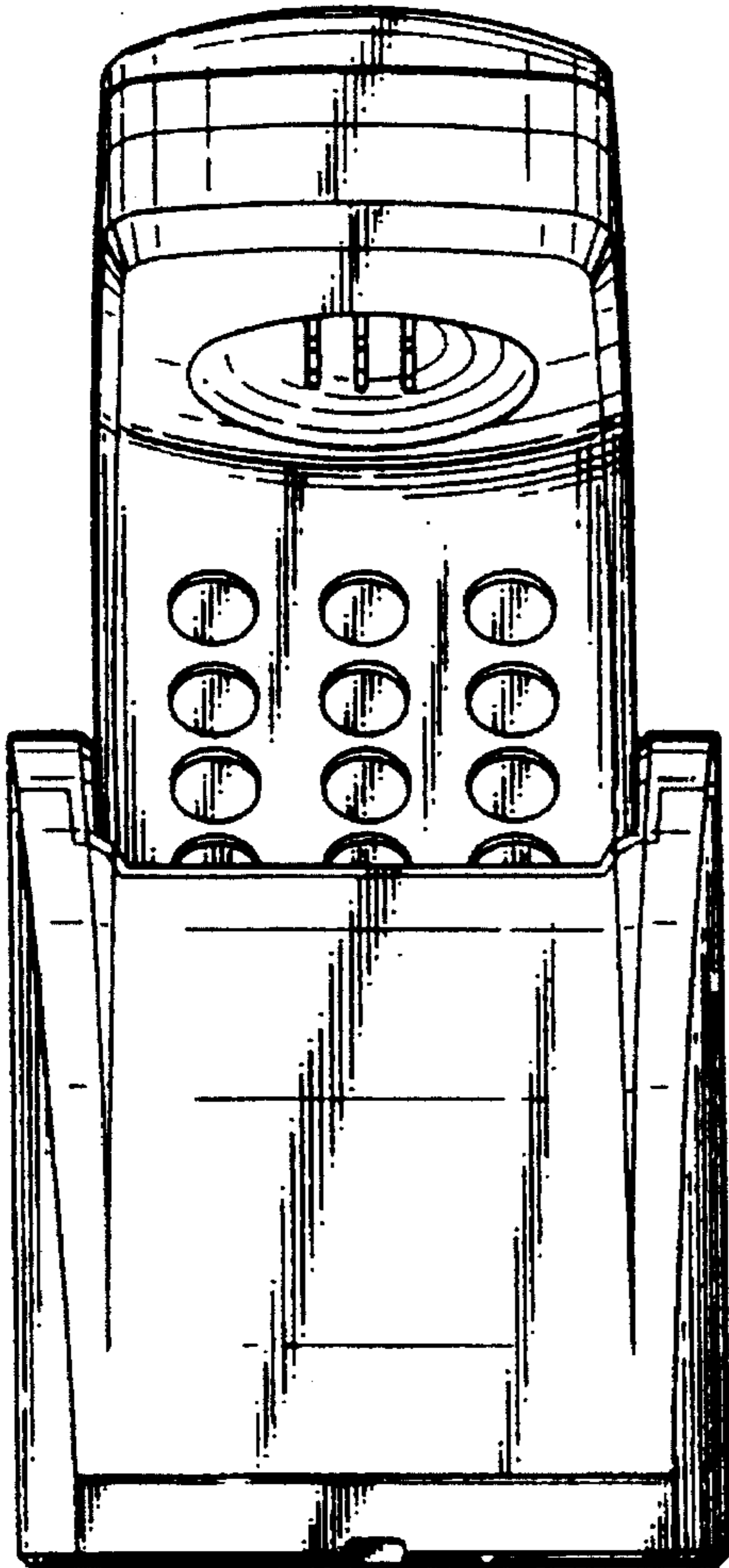


FIG. 3

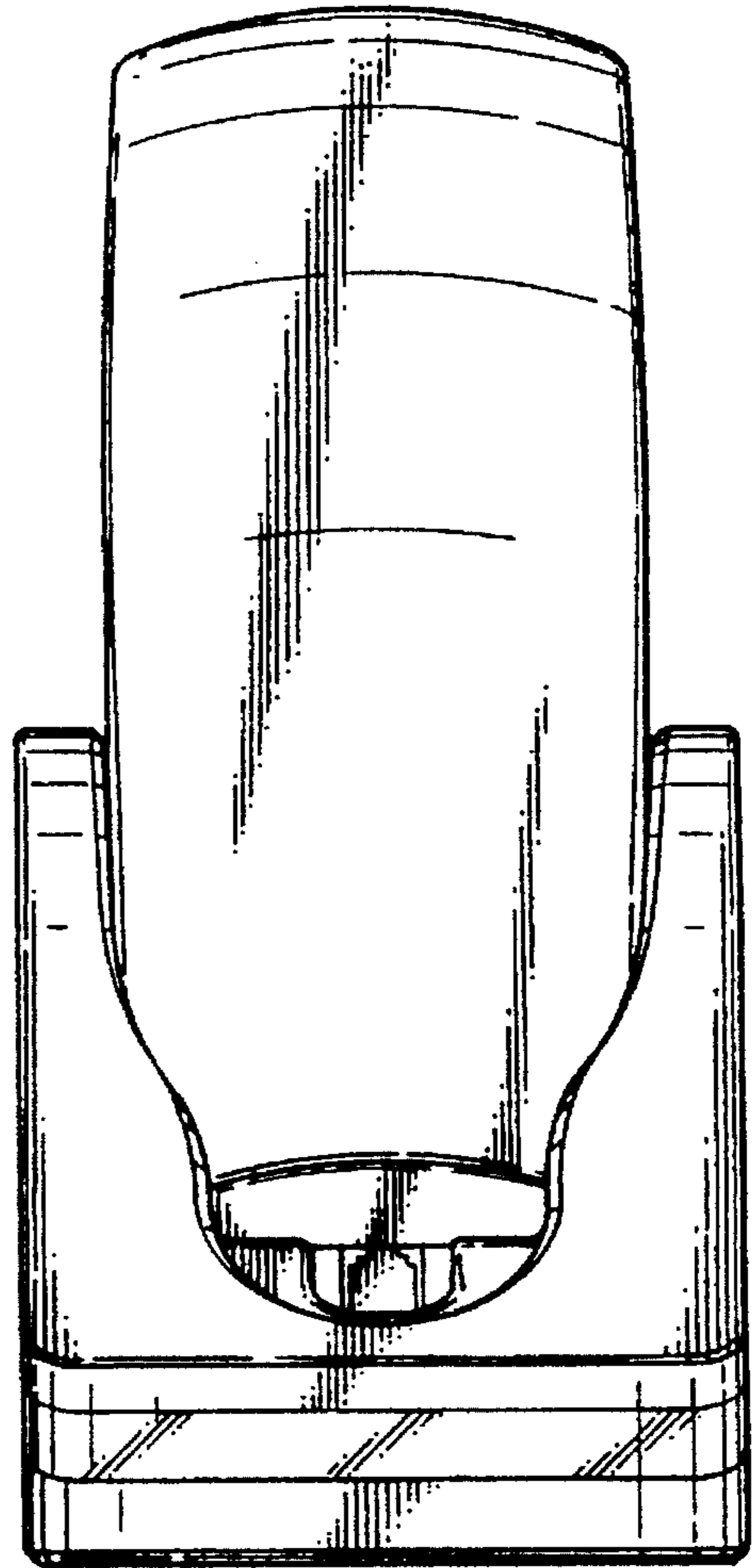


FIG. 4

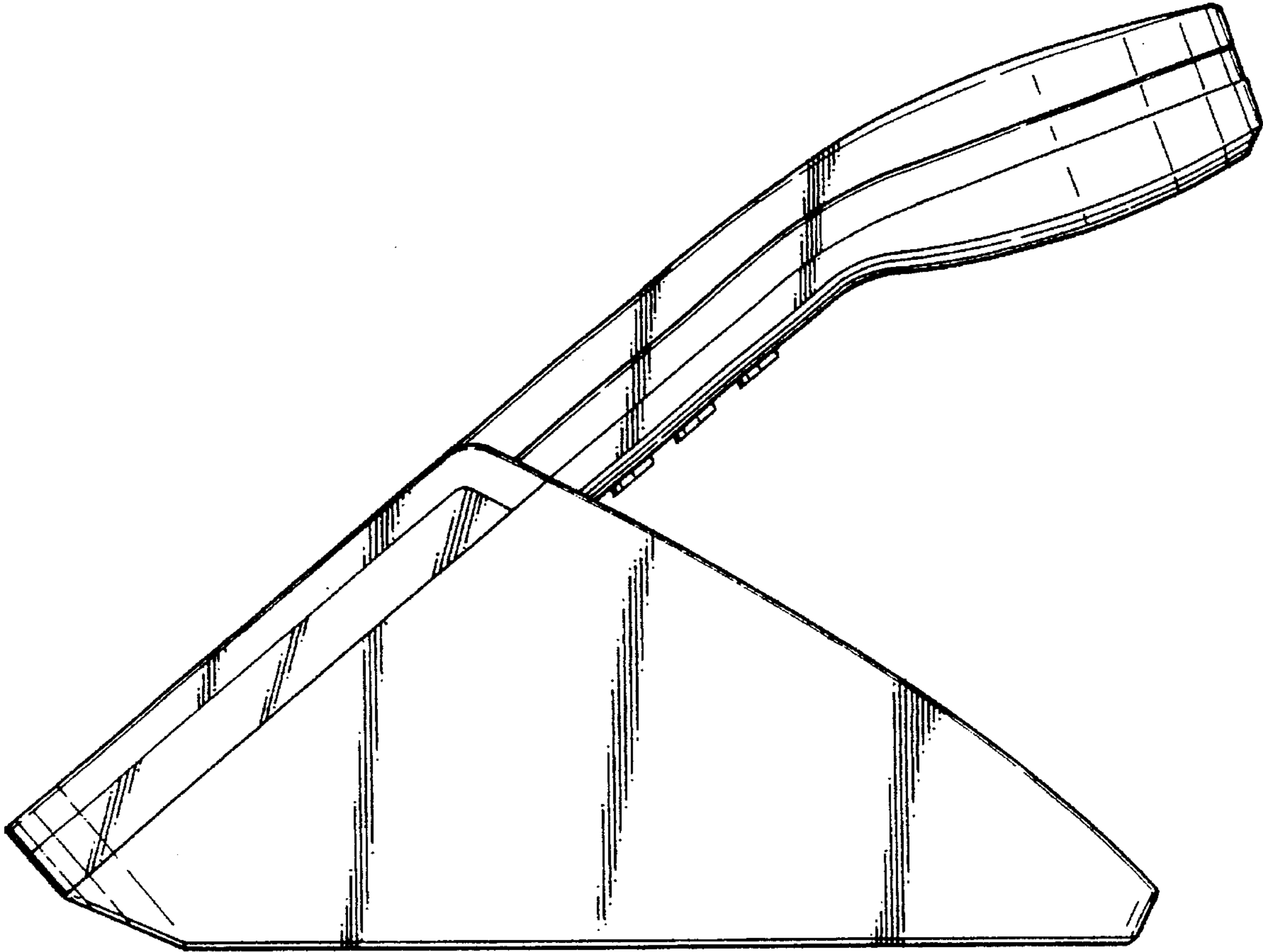


FIG. 5

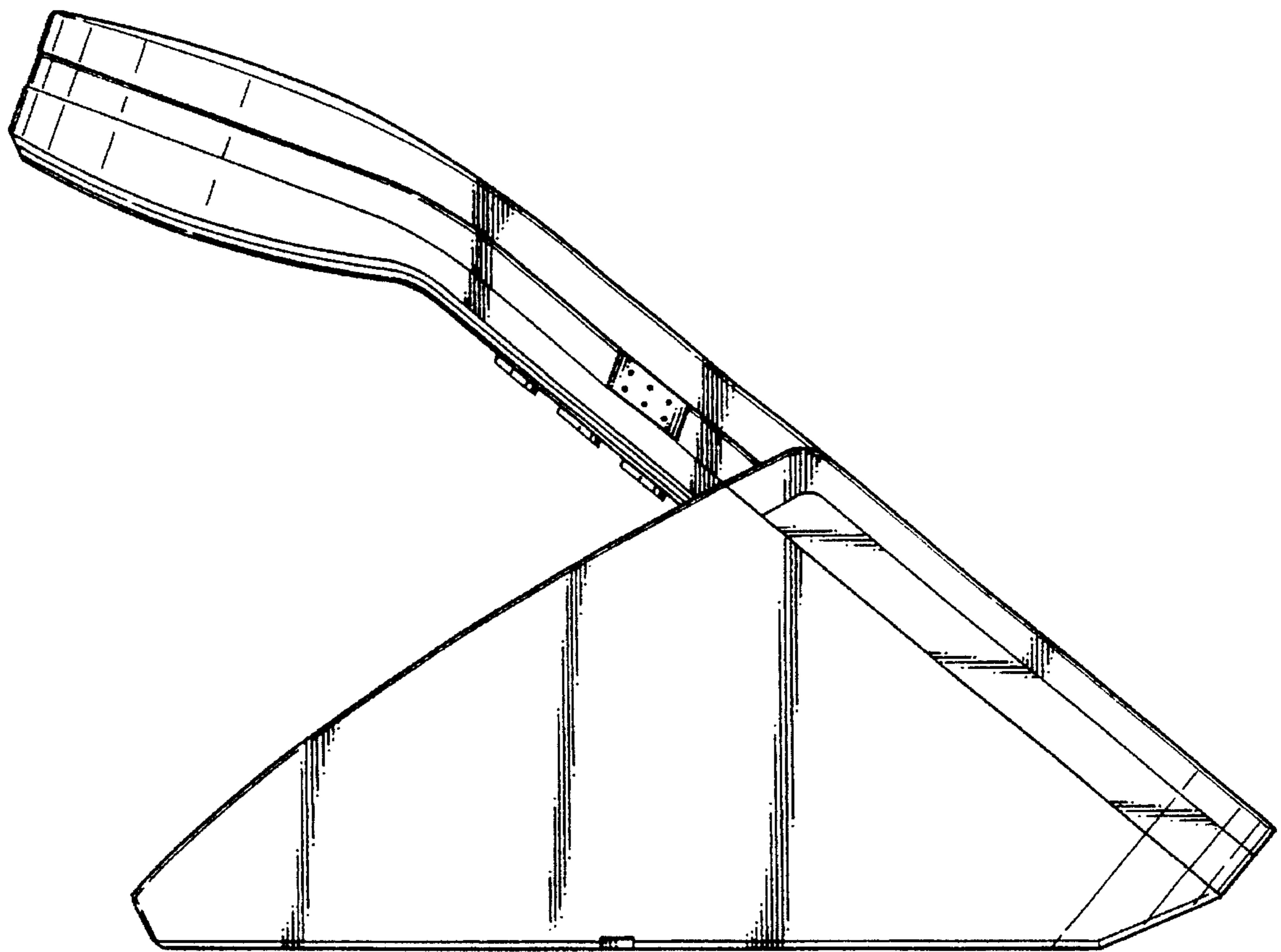


FIG. 6

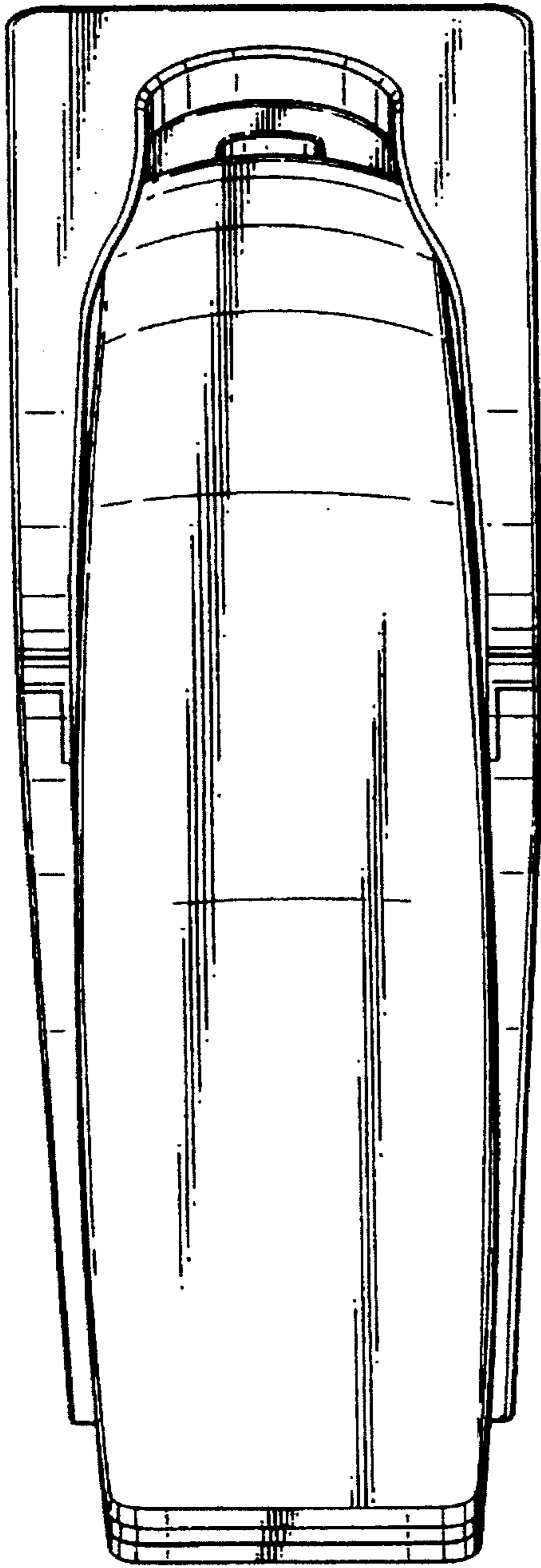


FIG. 7

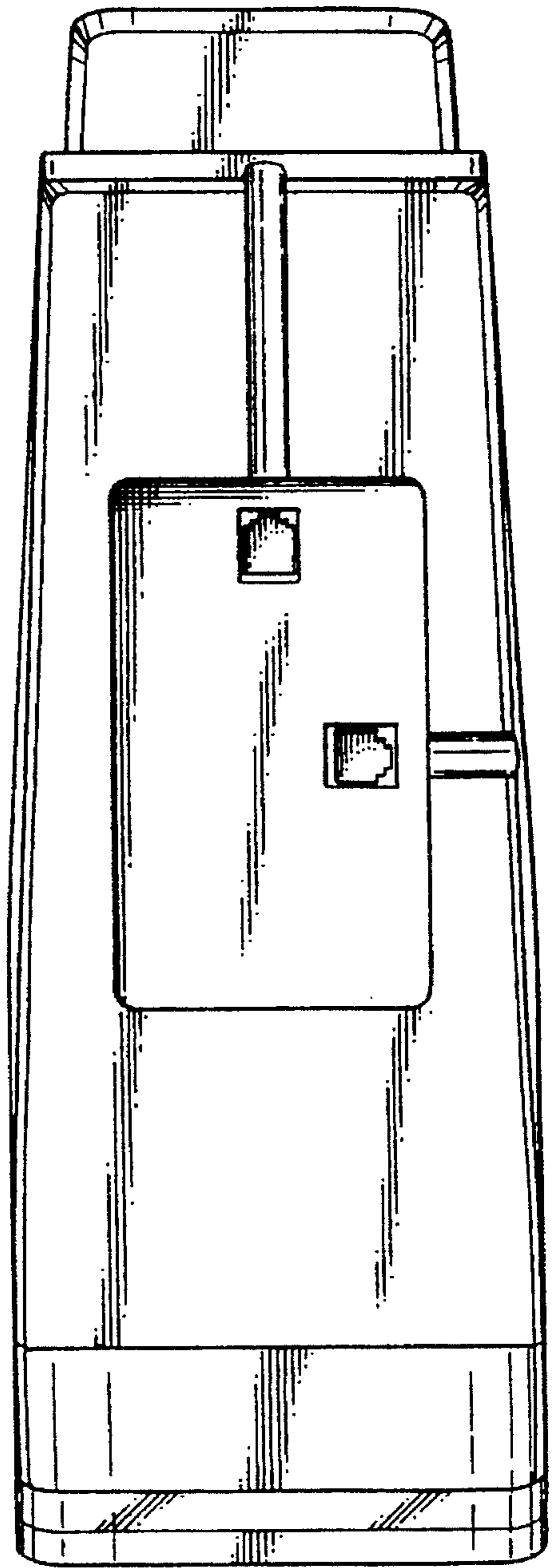


FIG. 8

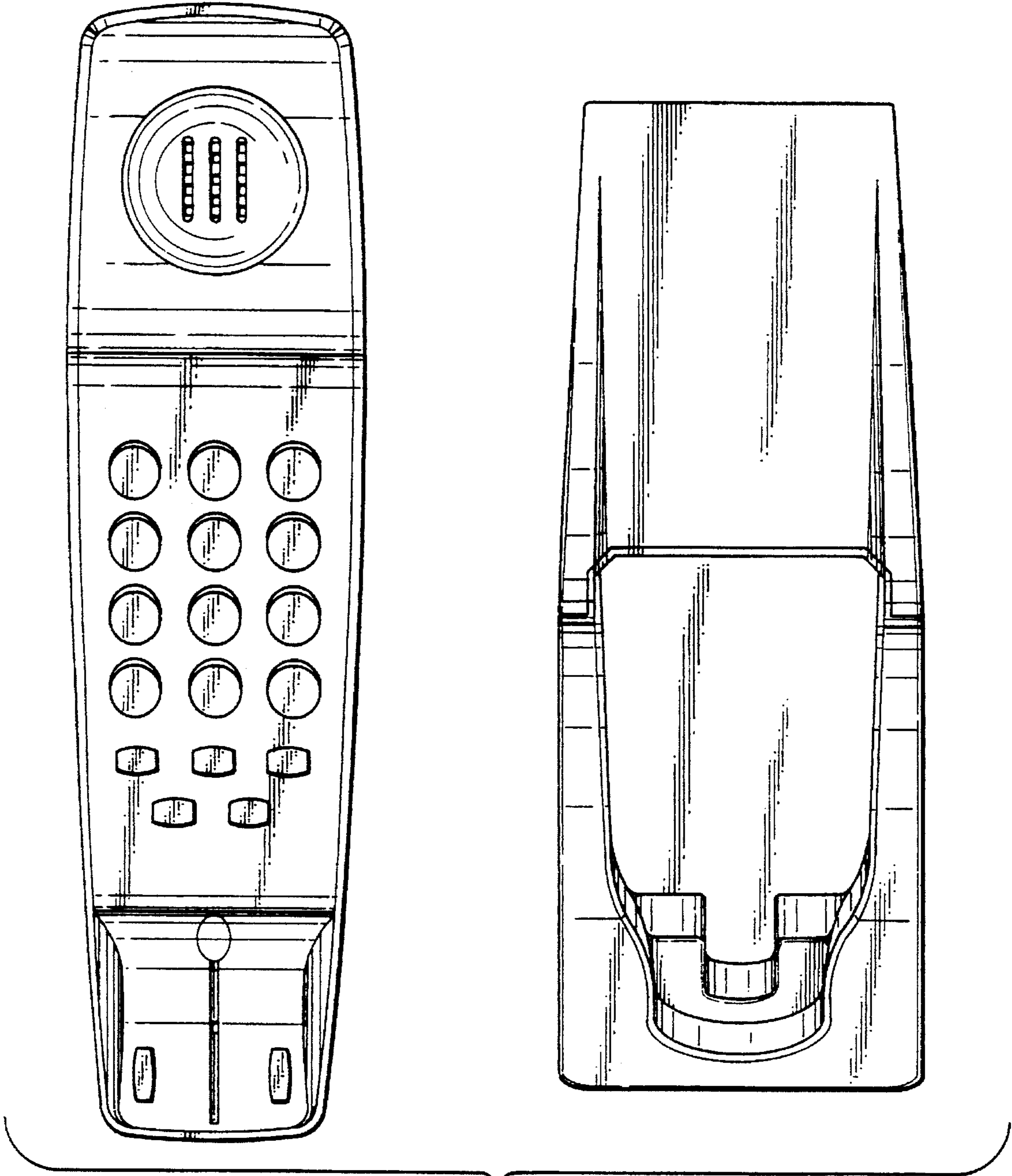


FIG. 9