



US00D369159S

# United States Patent [19]

Ghiaey

[11] Patent Number: **Des. 369,159**

[45] Date of Patent: **\*\*Apr. 23, 1996**

[54] **TAPE CASSETTE PROTECTIVE COVER**

[76] Inventor: **K. Gary Ghiaey**, 1174 Amherst Ave.  
Apt. 207, Brentwood, Calif. 90047

[\*\*] Term: **14 Years**

[21] Appl. No.: **33,318**

[22] Filed: **Jan. 10, 1995**

[52] U.S. Cl. .... **D14/121**

[58] Field of Search ..... D14/114, 120-122,  
D14/299; 242/348, 348.4, 341, 347.1; 360/132,  
133; 273/DIG. 28

[56] **References Cited**

**U.S. PATENT DOCUMENTS**

- D. 285,212 8/1986 Lee ..... D14/121 X
- D. 290,188 6/1987 Watanabe ..... D14/121 X
- D. 340,048 10/1993 Tseng ..... D14/121

- D. 356,307 3/1995 Schoettle et al. .... D14/121
- 4,607,308 8/1986 Tsuruta et al. .... D14/121 X

*Primary Examiner*—Prabhakar G. Deshmukh  
*Attorney, Agent, or Firm*—Roger A. Marrs

[57] **CLAIM**

The ornamental design for tape cassette protective cover, as shown.

**DESCRIPTION**

FIG. 1 is a front perspective view showing my new design for a tape cassette protective cover;  
FIG. 2 is a rear perspective view thereof;  
FIG. 3 is a top plan view thereof with the bottom view being a mirror image;  
FIG. 4 is an end elevational view thereof; and,  
FIG. 5 is a front elevational view thereof.

**1 Claim, 1 Drawing Sheet**

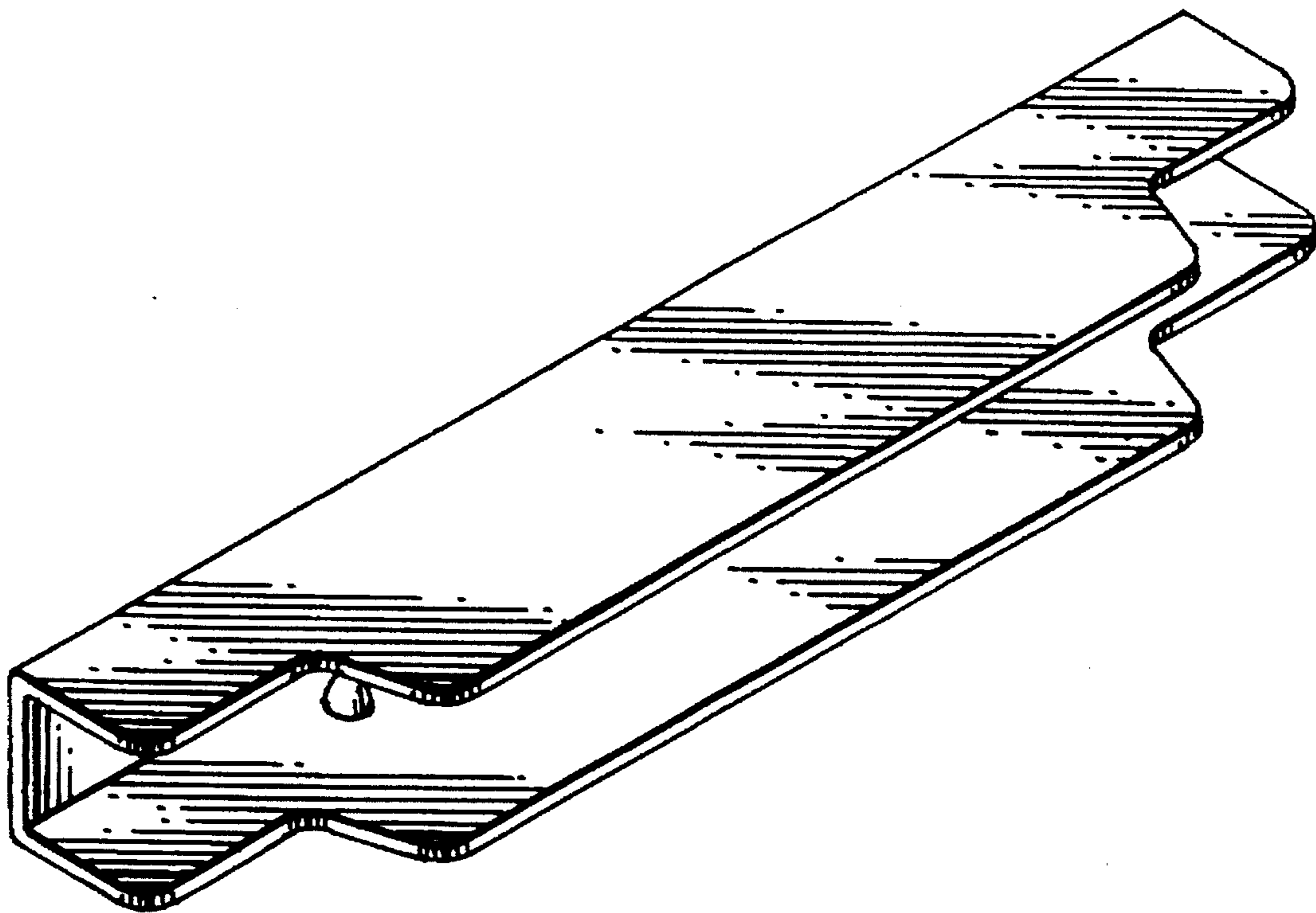


FIG. 1

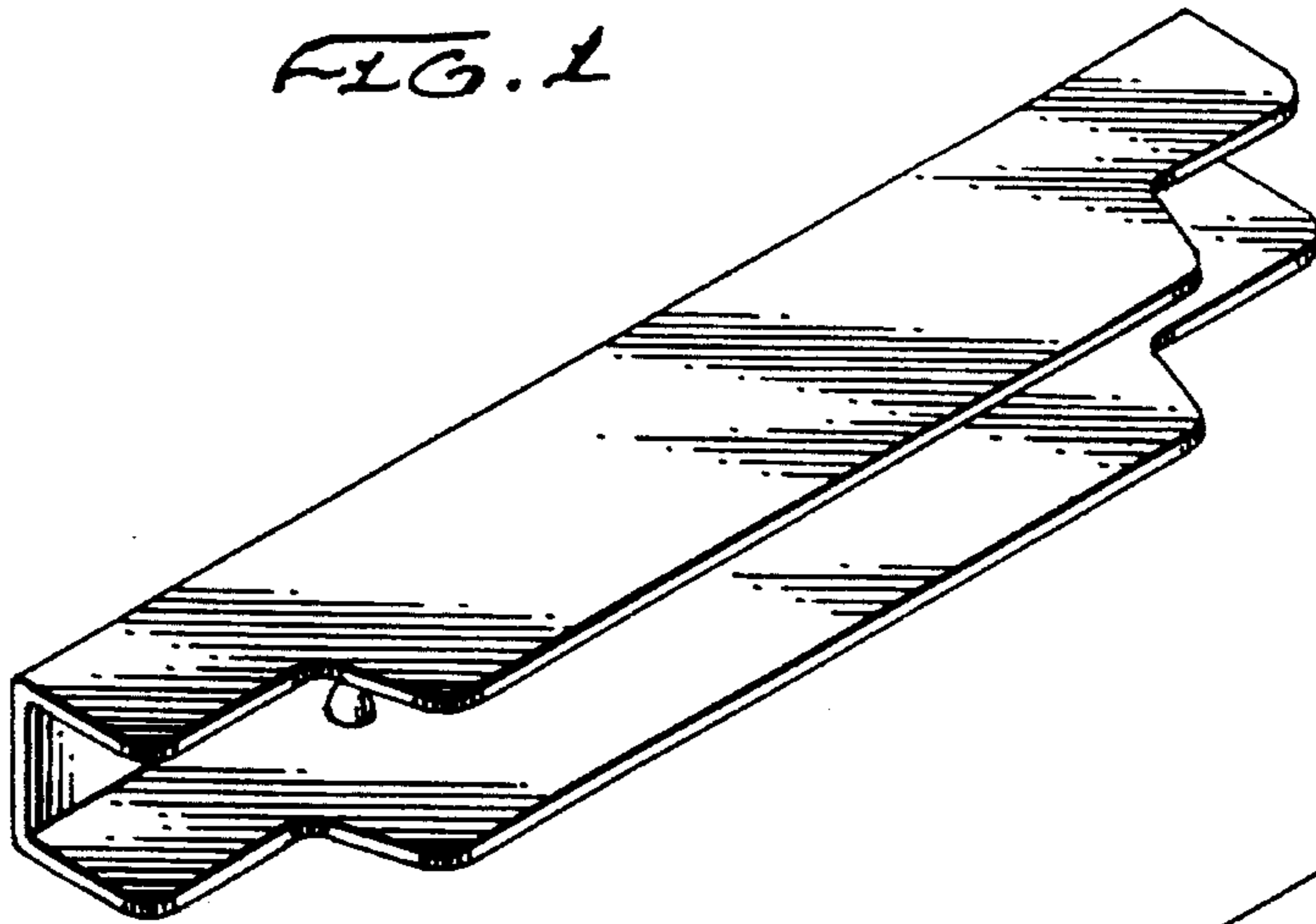


FIG. 2

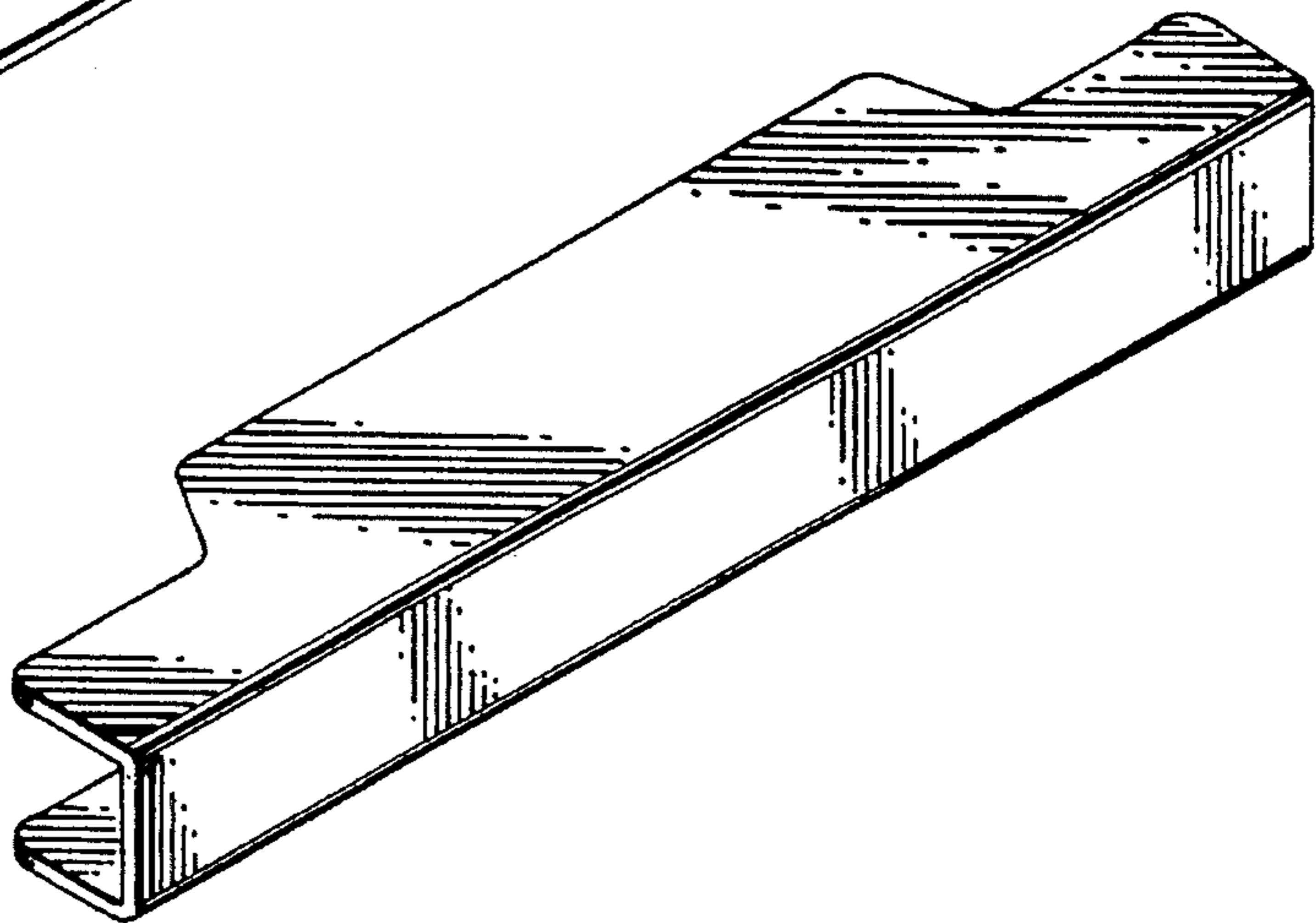


FIG. 3

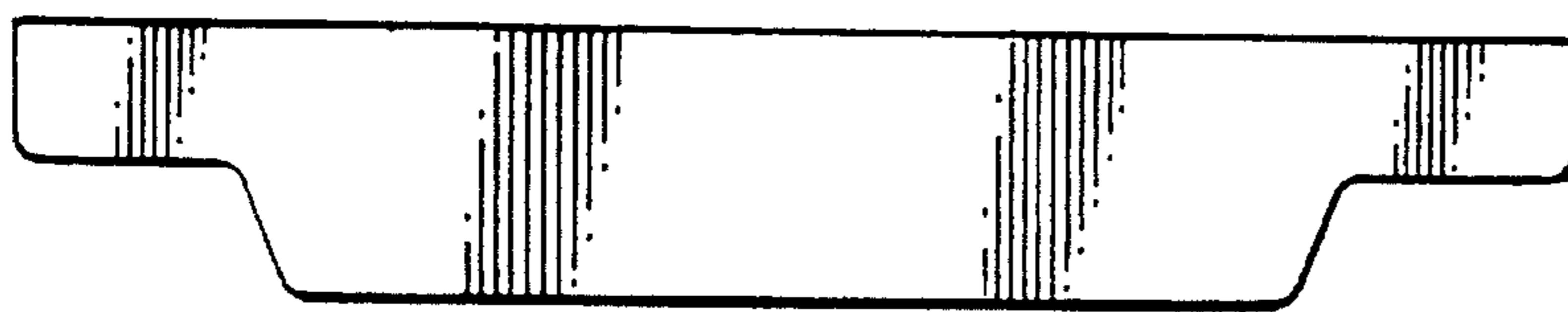


FIG. 4

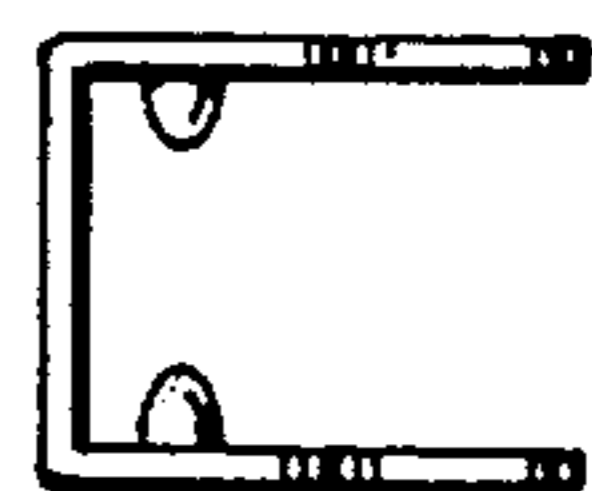


FIG. 5

