



US00D369156S

# United States Patent [19]

Ohmori et al.

[11] Patent Number: **Des. 369,156**

[45] Date of Patent: **\*\*Apr. 23, 1996**

[54] IC CARD

[75] Inventors: **Jun Ohmori, Tokyo; Hiroshi Iwasaki, Yokohama, both of Japan**

[73] Assignee: **Kabushiki Kaisha Toshiba, Kawasaki, Japan**

[\*\*] Term: **14 Years**

[21] Appl. No.: **36,252**

[22] Filed: **Mar. 16, 1995**

### [30] Foreign Application Priority Data

Sep. 20, 1994 [JP] Japan ..... 6-28536

[52] U.S. Cl. .... **D14/117**

[58] Field of Search ..... D14/114, 117; D13/182; 235/441-443, 487-492; 361/392-393, 395, 686, 737; D19/9-10; 283/48.1, 94, 107, 109, 901

### [56] References Cited

#### U.S. PATENT DOCUMENTS

- D. 277,859 3/1985 Saito et al. .... D14/114
- D. 287,597 1/1987 Naoi ..... D14/114
- D. 298,327 11/1988 Kimura ..... D14/114

- D. 350,125 8/1994 Saitoh ..... D14/114
- D. 357,909 5/1995 Gloton ..... D14/114
- D. 358,142 5/1995 Gloton ..... D14/114
- 5,049,728 9/1991 Rovin ..... 235/487 X
- 5,336,871 8/1994 Colgate, Jr. .... 235/487 X
- 5,375,037 12/1994 LeRoux ..... 235/492 X
- 5,410,138 4/1995 Martin ..... 235/487 X

Primary Examiner—M. H. Tung  
Attorney, Agent, or Firm—Oblon, Spivak, McClelland, Maier & Neustadt

### [57] CLAIM

The ornamental design for an IC card, as shown and described.

### DESCRIPTION

FIG. 1 is a front, bottom, right side perspective view of an IC card showing our new design;  
FIG. 2 is a front elevational view thereof;  
FIG. 3 is a left side elevational view thereof;  
FIG. 4 is a right side elevational view thereof;  
FIG. 5 is a top plan view thereof;  
FIG. 6 is a bottom plan view thereof; and,  
FIG. 7 is a rear elevational view thereof.

**1 Claim, 2 Drawing Sheets**

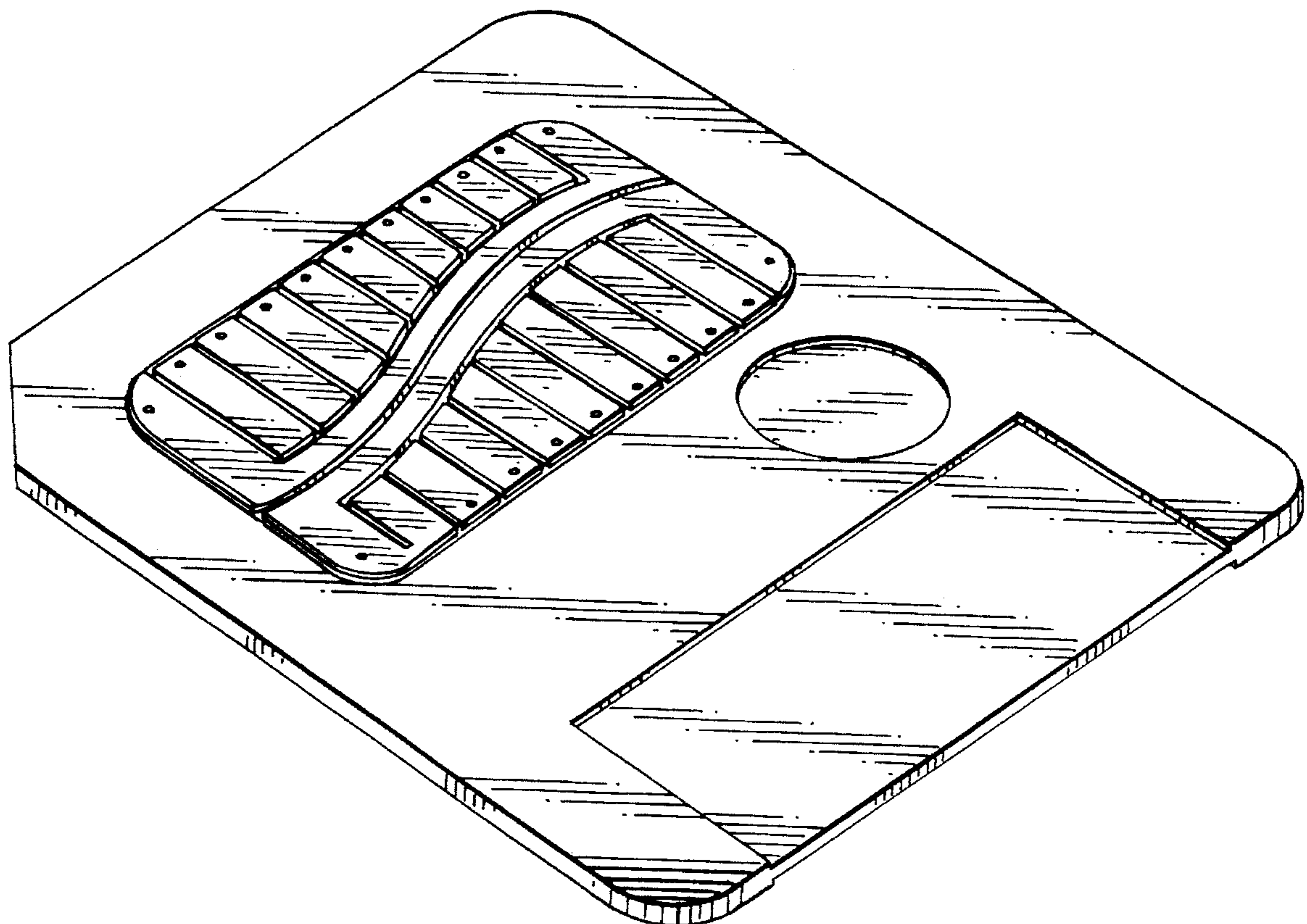


FIG. 1

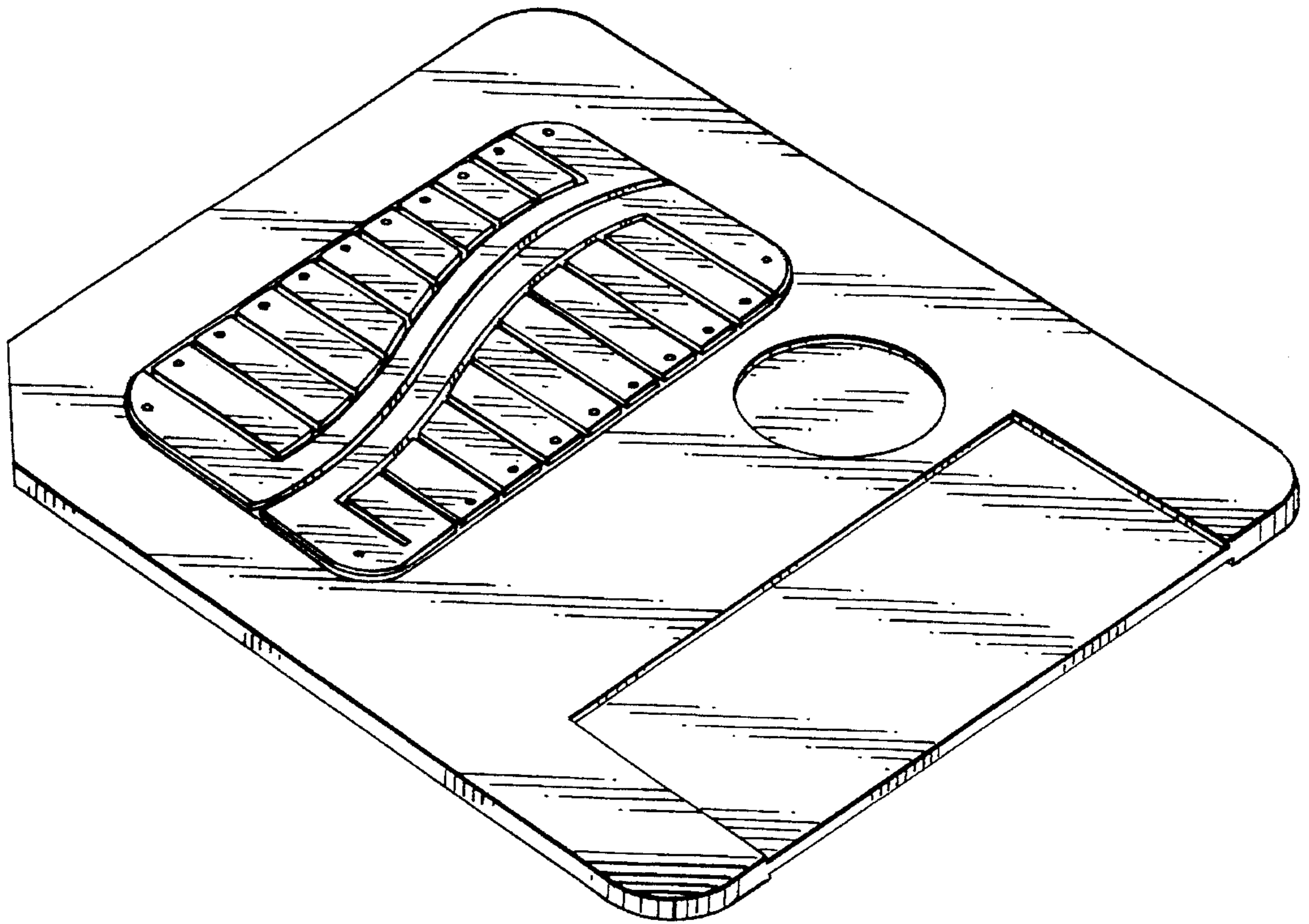


FIG. 3



FIG. 2

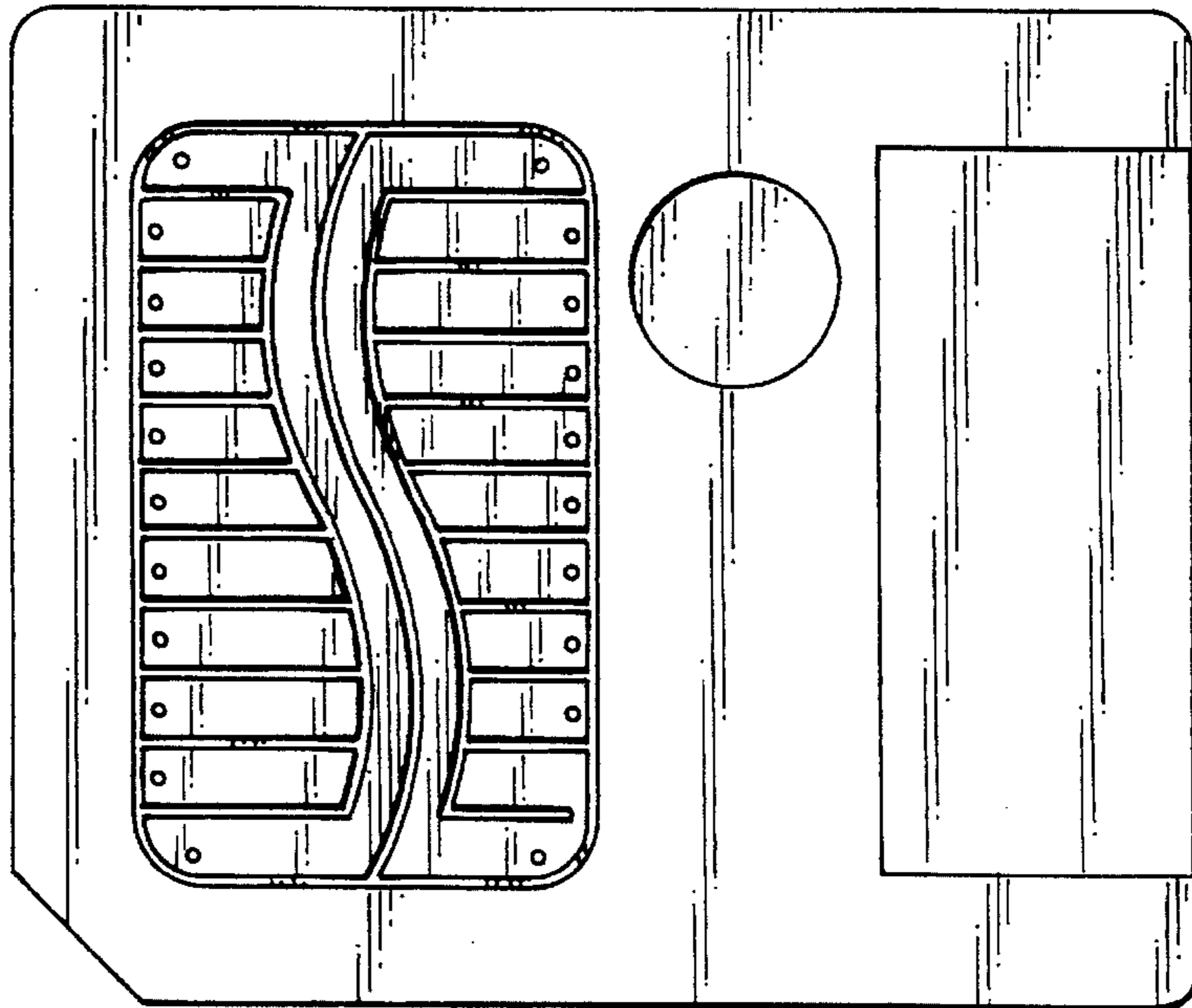


FIG. 4



FIG. 5

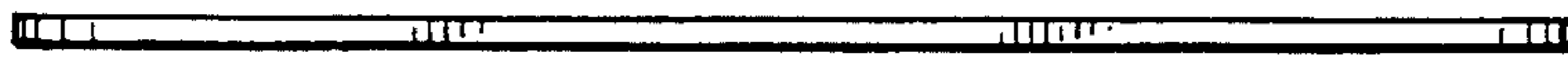


FIG. 6

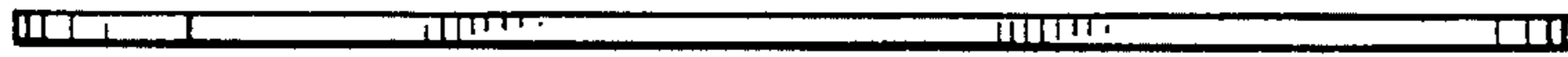


FIG. 7

