



US00D369153S

# United States Patent [19] Fujisawa

[11] **Patent Number: Des. 369,153**  
[45] **Date of Patent: \*\*Apr. 23, 1996**

[54] **OPTICAL DISC CARTRIDGE**  
[75] Inventor: **Hirotohi Fujisawa**, Tokyo, Japan  
[73] Assignee: **Sony Corporation**, Tokyo, Japan  
[\*\*] Term: **14 Years**

4,787,006 11/1988 Lizuka et al. .... 206/444 X  
5,041,923 8/1991 Iwata et al. .... 360/60  
5,150,269 9/1992 Iwaki et al. .... 360/60 X  
5,195,084 3/1993 Shiba et al. .... 206/444 X

[21] Appl. No.: **831,327**  
[22] Filed: **Feb. 6, 1992**

### FOREIGN PATENT DOCUMENTS

2128386 5/1990 Japan ..... 206/444

[30] **Foreign Application Priority Data**  
Sep. 10, 1991 [JP] Japan ..... 3-27325  
[52] **U.S. Cl.** ..... **D14/114**  
[58] **Field of Search** ..... D14/100, 114;  
360/60, 132-133, 135, 97.01-99.12; 260/314,  
444

### OTHER PUBLICATIONS

Inmac Computer Catalog item disk p. 4.

*Primary Examiner*—M. H. Tung  
*Attorney, Agent, or Firm*—Thomas G. Carulli

### [56] **References Cited**

#### U.S. PATENT DOCUMENTS

D. 283,893 5/1986 Fujimoto ..... D14/114  
D. 292,292 10/1987 Saito et al. .... D14/114  
D. 298,251 10/1988 Kato et al. .... D14/114  
D. 307,893 5/1990 Kato et al. .... D14/114  
D. 311,181 10/1990 Miyazawa ..... D14/114  
D. 315,900 4/1991 Iwata ..... D14/114  
D. 316,711 5/1991 Kantrowitz ..... D14/114  
4,627,532 12/1986 Clemens ..... 206/444 X  
4,652,961 3/1987 Dieftenbach ..... 206/444 X

### [57] **CLAIM**

The ornamental design for an optical disc cartridge, as shown and described.

### DESCRIPTION

FIG. 1 is a top plan view showing our new design;  
FIG. 2 is a left-side view thereof;  
FIG. 3 is a front view thereof;  
FIG. 4 is a right-side view thereof;  
FIG. 5 is a backview thereof;  
FIG. 6 is a bottom view thereof;  
FIG. 7 is a backview in its open position thereof; and,  
FIG. 8 is a perspective view thereof.

**1 Claim, 3 Drawing Sheets**

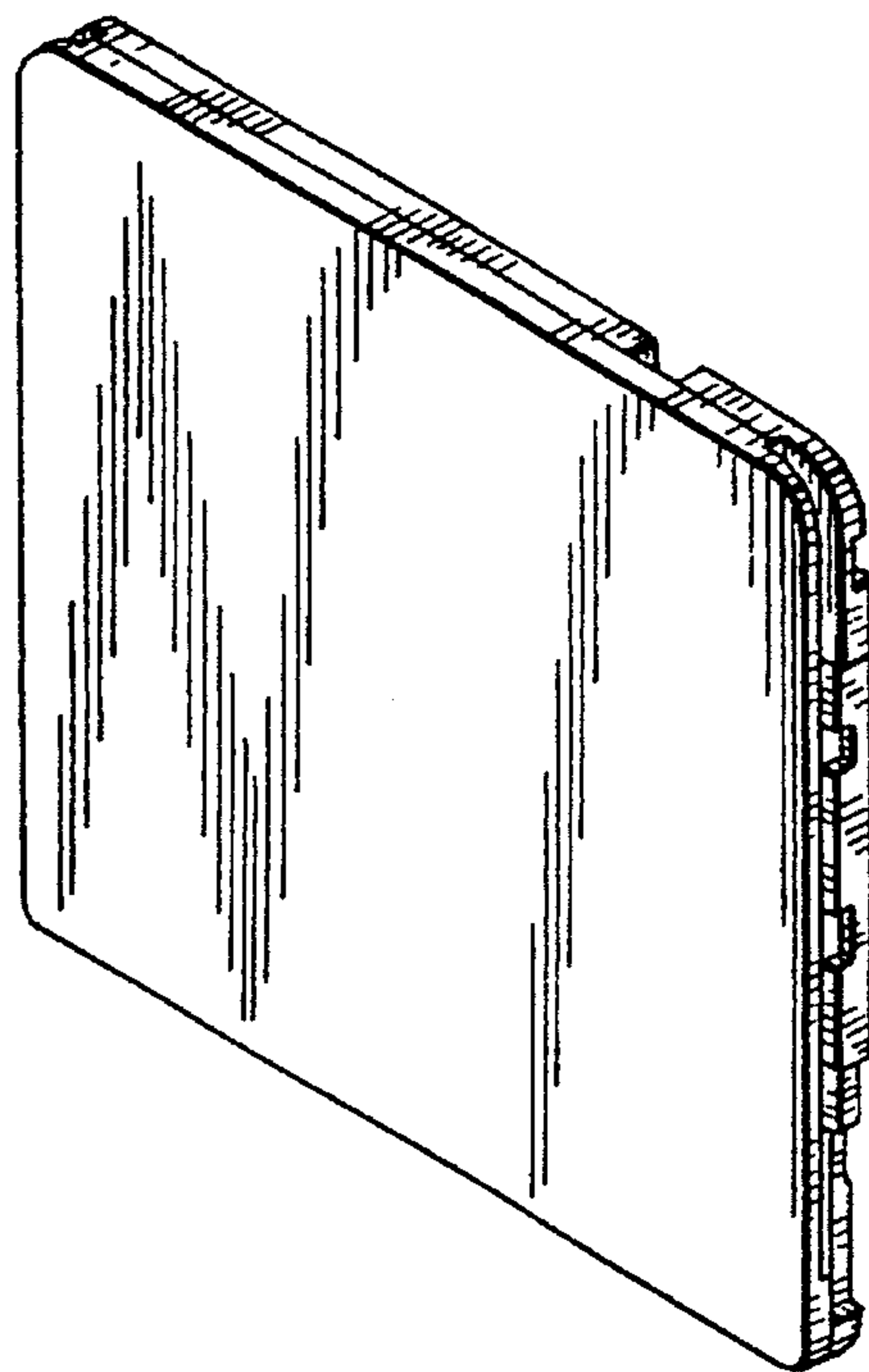
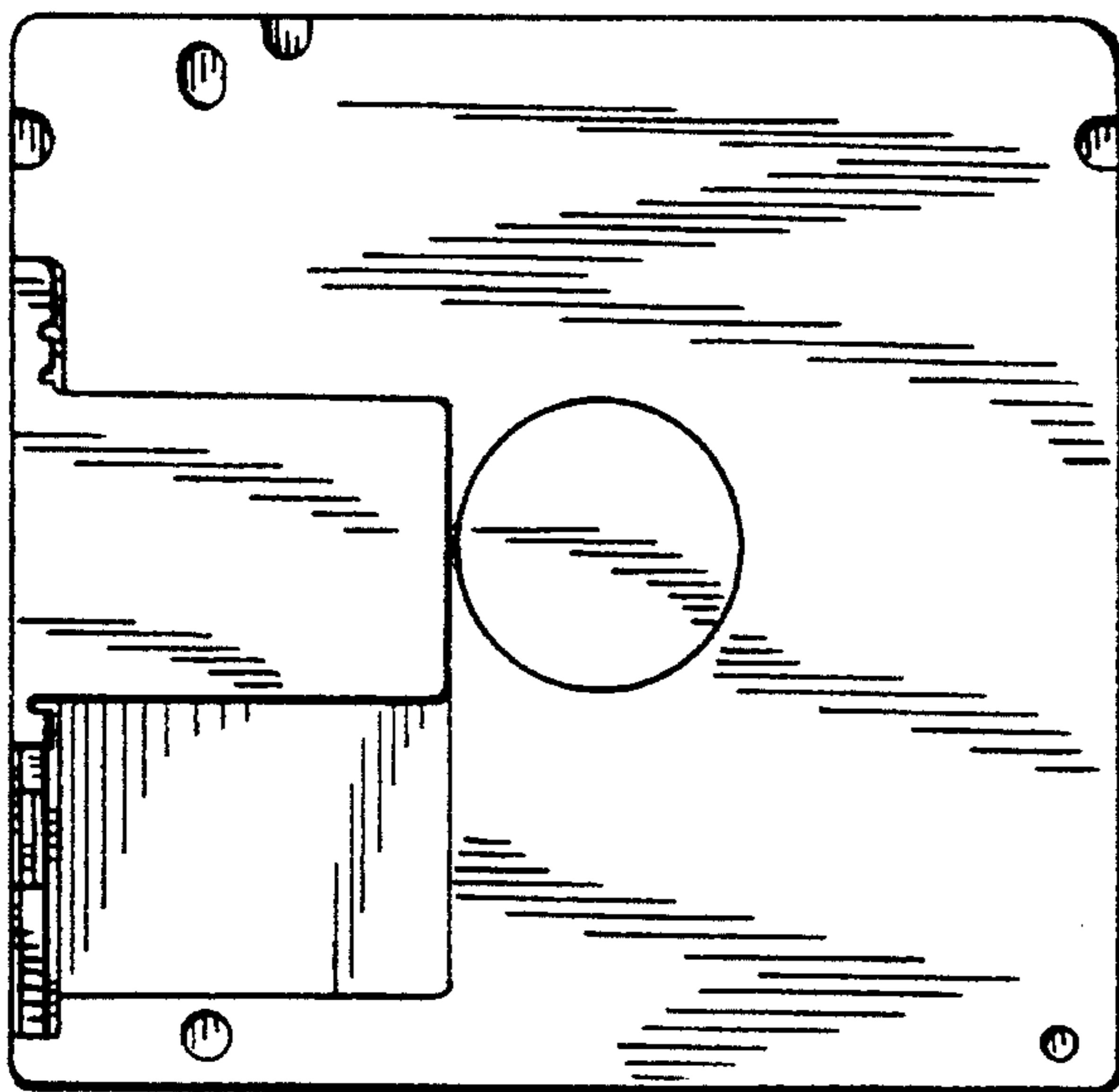


FIG. 1



FIG. 3

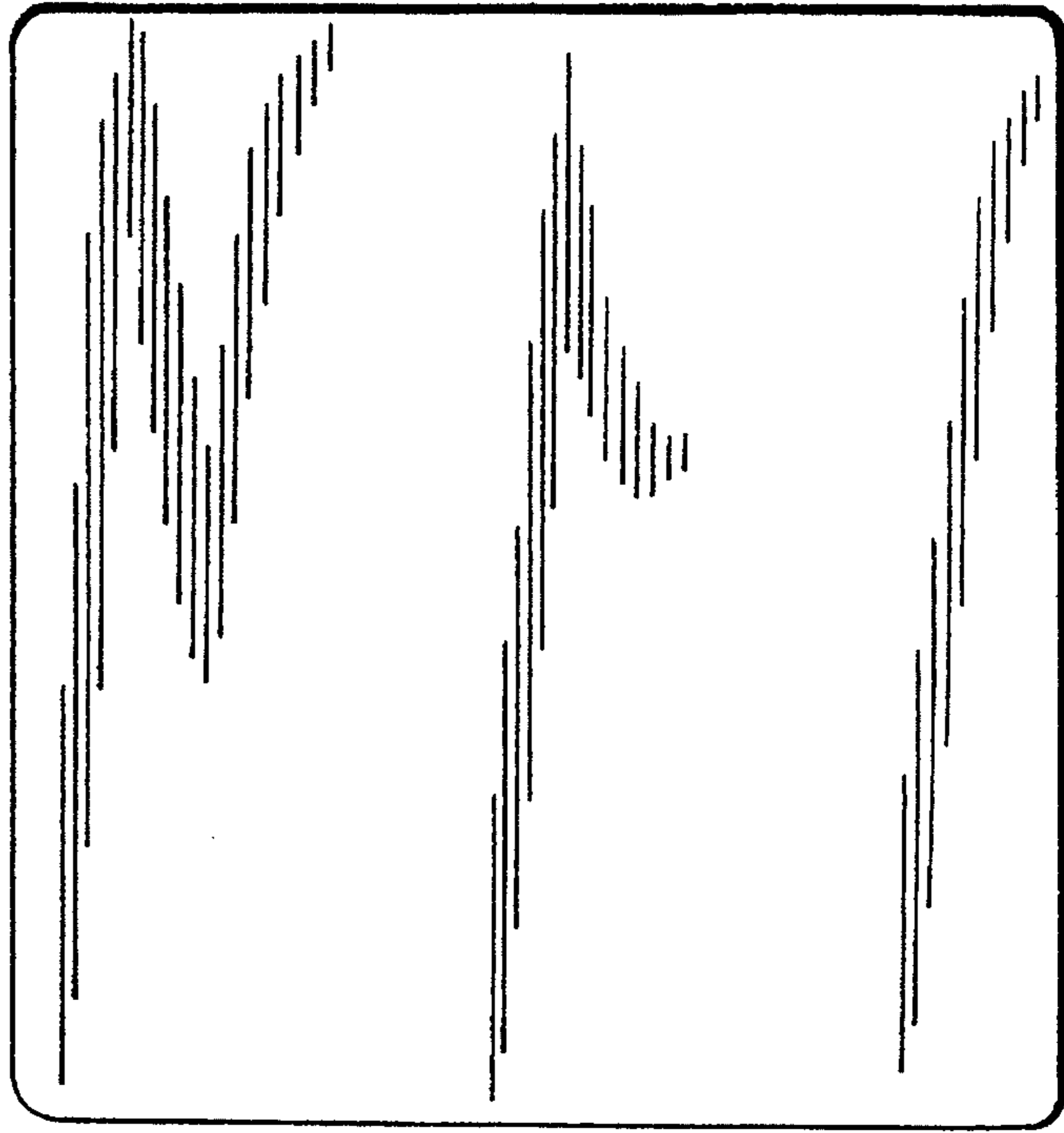


FIG. 2



FIG. 5

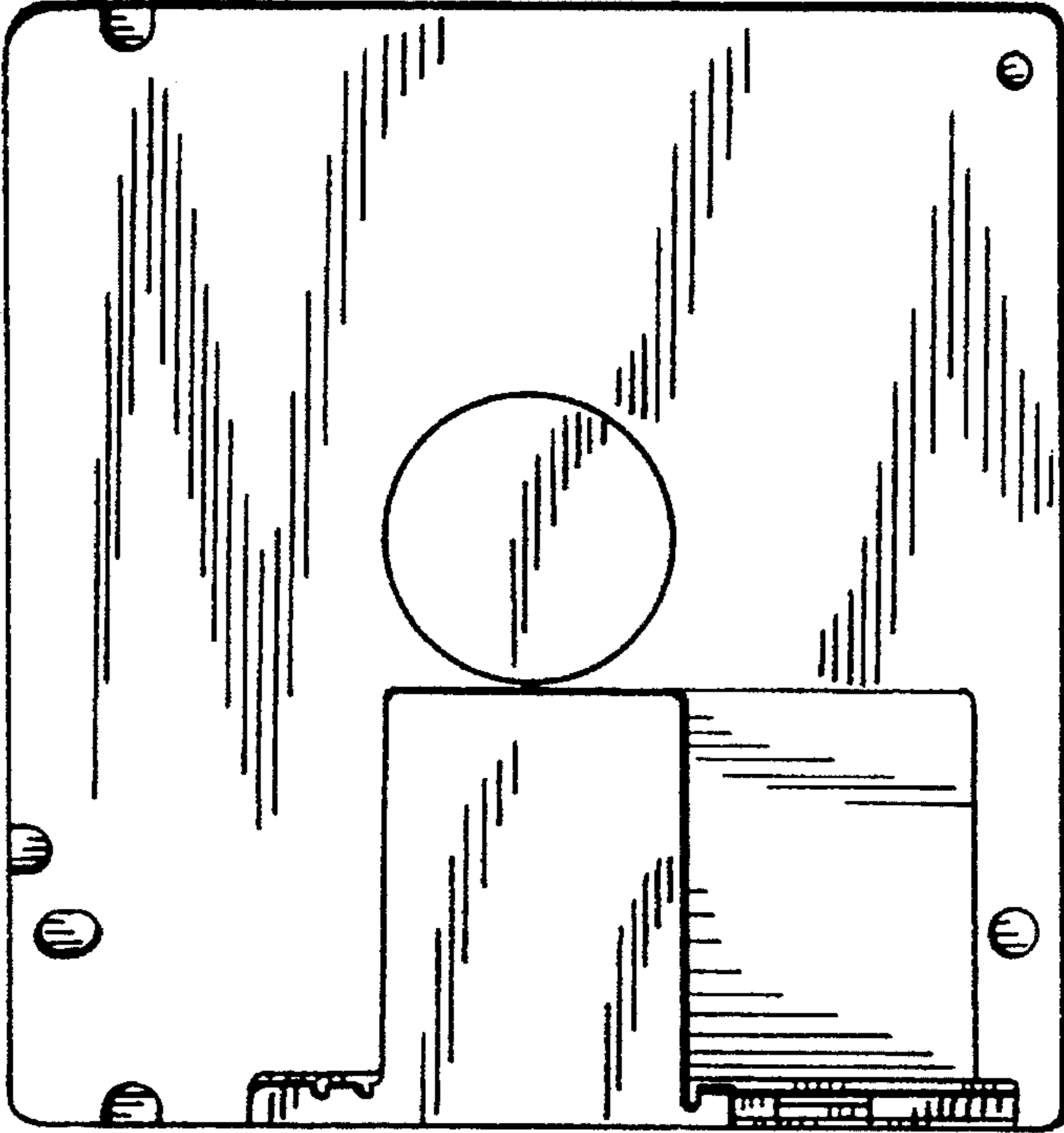


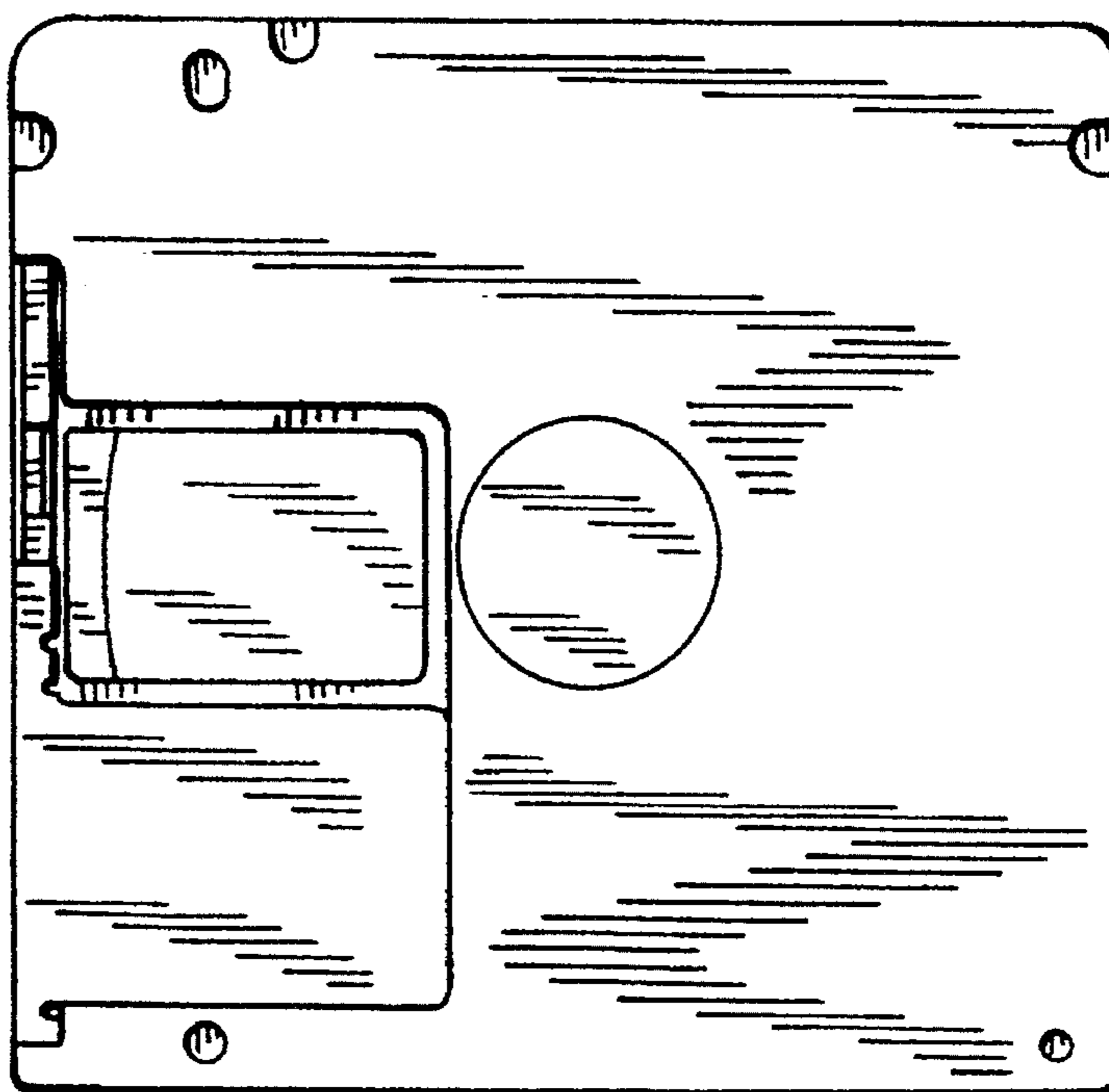
FIG. 4



FIG. 6



*FIG. 7*



*FIG. 8*

