



US00D369150S

United States Patent [19]

Vossoughi

[11] Patent Number: **Des. 369,150**

[45] Date of Patent: ****Apr. 23, 1996**

[54] **MONITOR WITH DETACHABLE SPEAKERS**

[75] Inventor: **Sohrab Vossoughi**, Portland, Oreg.

[73] Assignee: **Taiwan Video & Monitor Corporation**, Taipei, Taiwan

[**] Term: **14 Years**

[21] Appl. No.: **39,672**

[22] Filed: **Jun. 1, 1995**

[52] U.S. Cl. **D14/113**

[58] Field of Search D14/100, 106,
D14/101, 113, 124-129; 248/917-924;
345/104, 133, 156, 168, 87, 173, 901-905;
358/249, 254, 255

[56] **References Cited**

U.S. PATENT DOCUMENTS

D. 324,042	2/1992	Nakahara	D14/126
D. 350,946	9/1994	Stewart et al.	D14/113
D. 354,282	1/1995	Koo et al.	D14/126
D. 355,413	2/1995	Masunari	D14/113

Primary Examiner—Freda Numm
Attorney, Agent, or Firm—Bacon & Thomas

[57] **CLAIM**

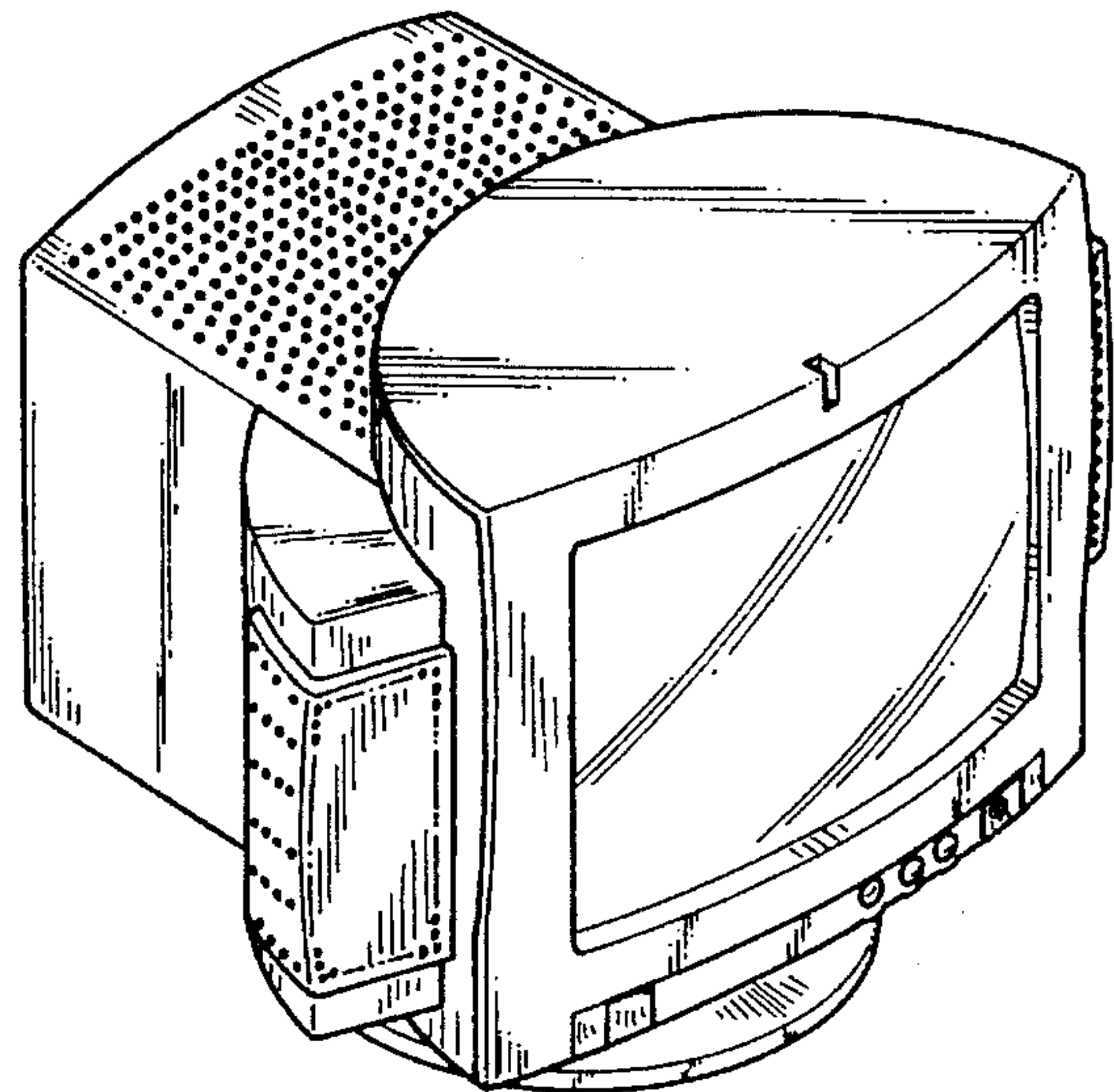
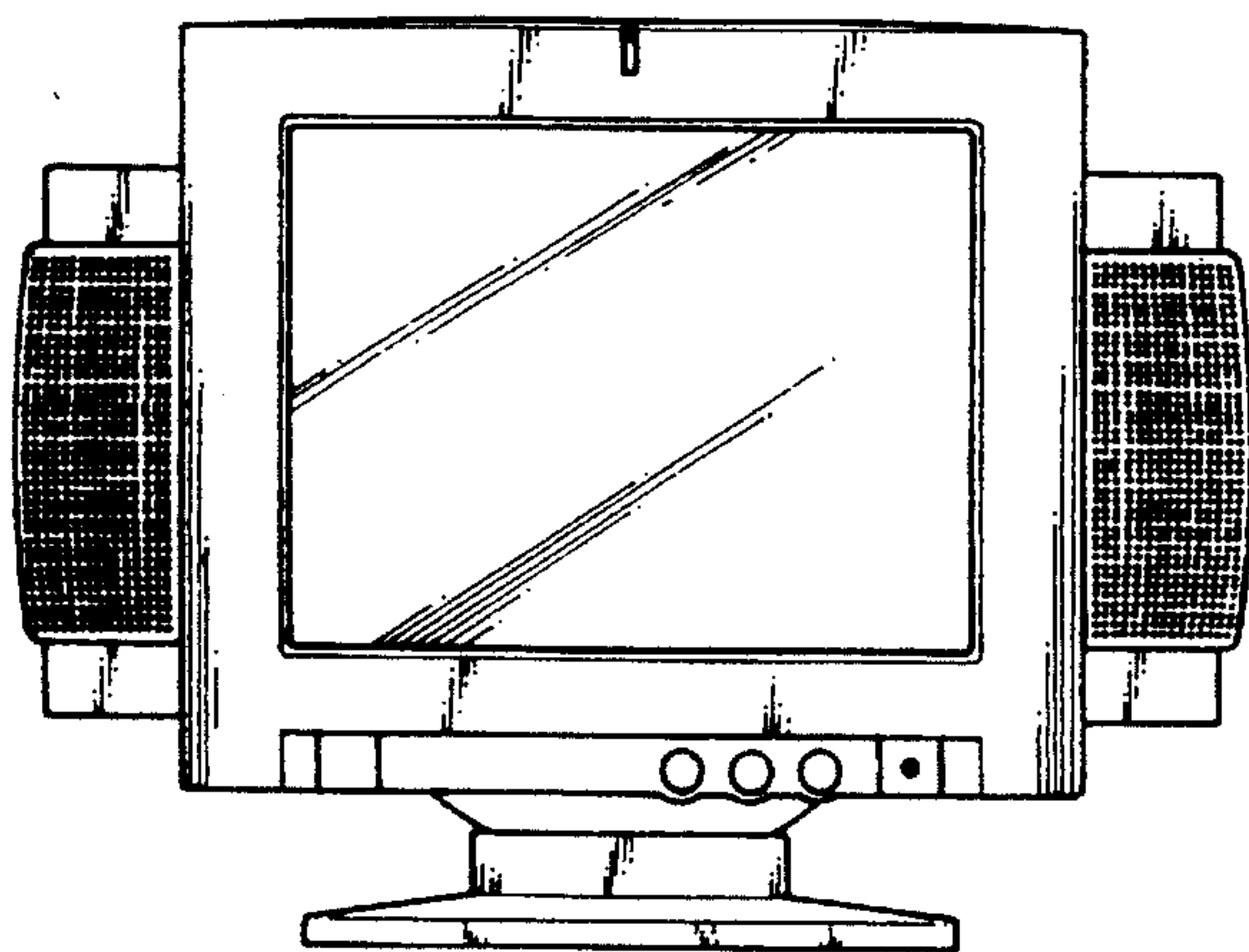
The ornamental design for a monitor with detachable speakers, as shown and described.

DESCRIPTION

FIG. 1 is a front view of a monitor with detachable speakers showing my design;
FIG. 2 is a left side view thereof;
FIG. 3 is a top view thereof;
FIG. 4 is a right side view thereof;
FIG. 5 is a rear view thereof;
FIG. 6 is the bottom view thereof; and,
FIG. 7 is a perspective view thereof shown without the speakers.

The pattern is partially shown in FIG. 7 for ease of illustration and it is understood to continue uniformly across the indicated surface.

1 Claim, 7 Drawing Sheets



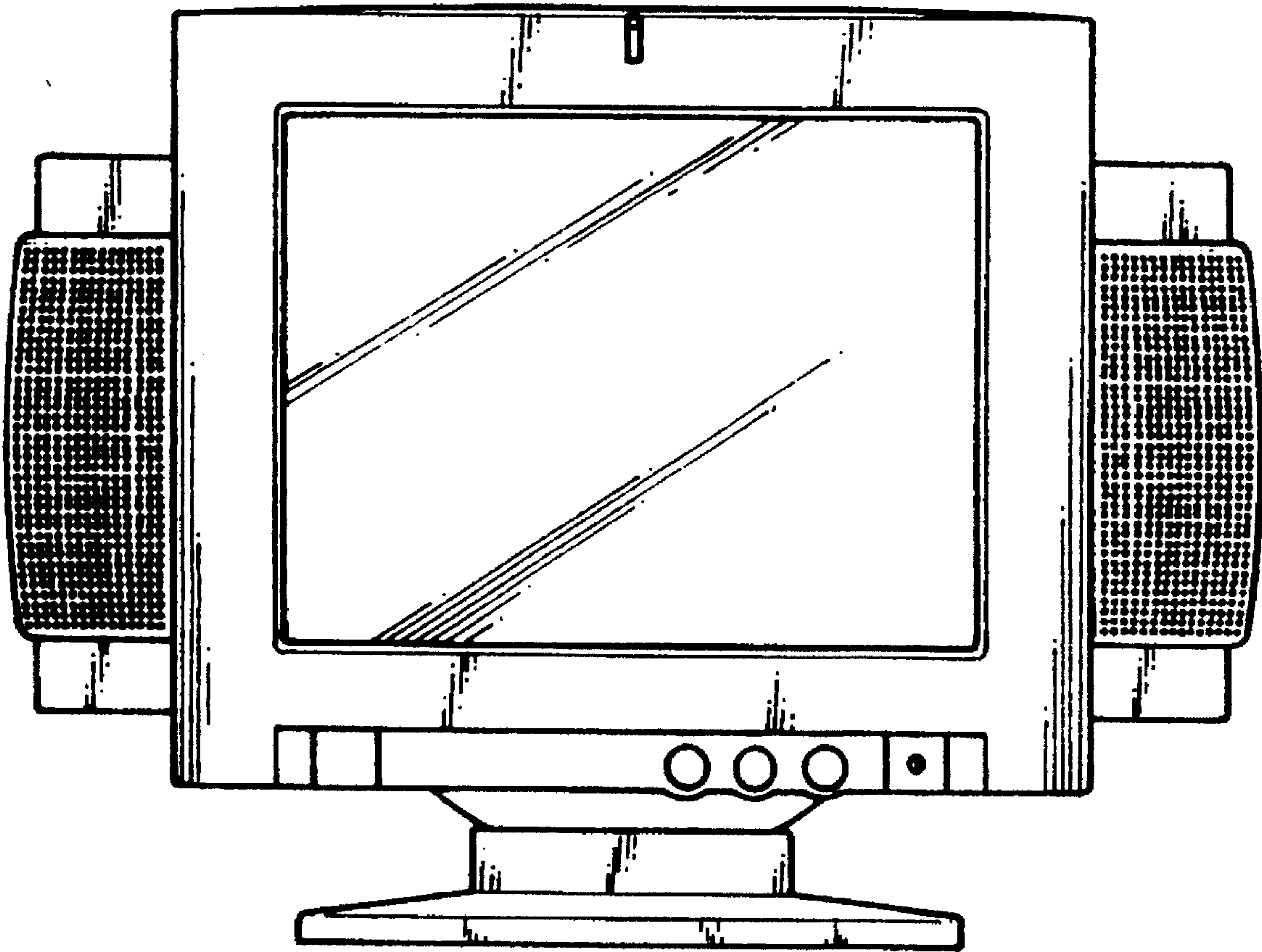


FIG. 1

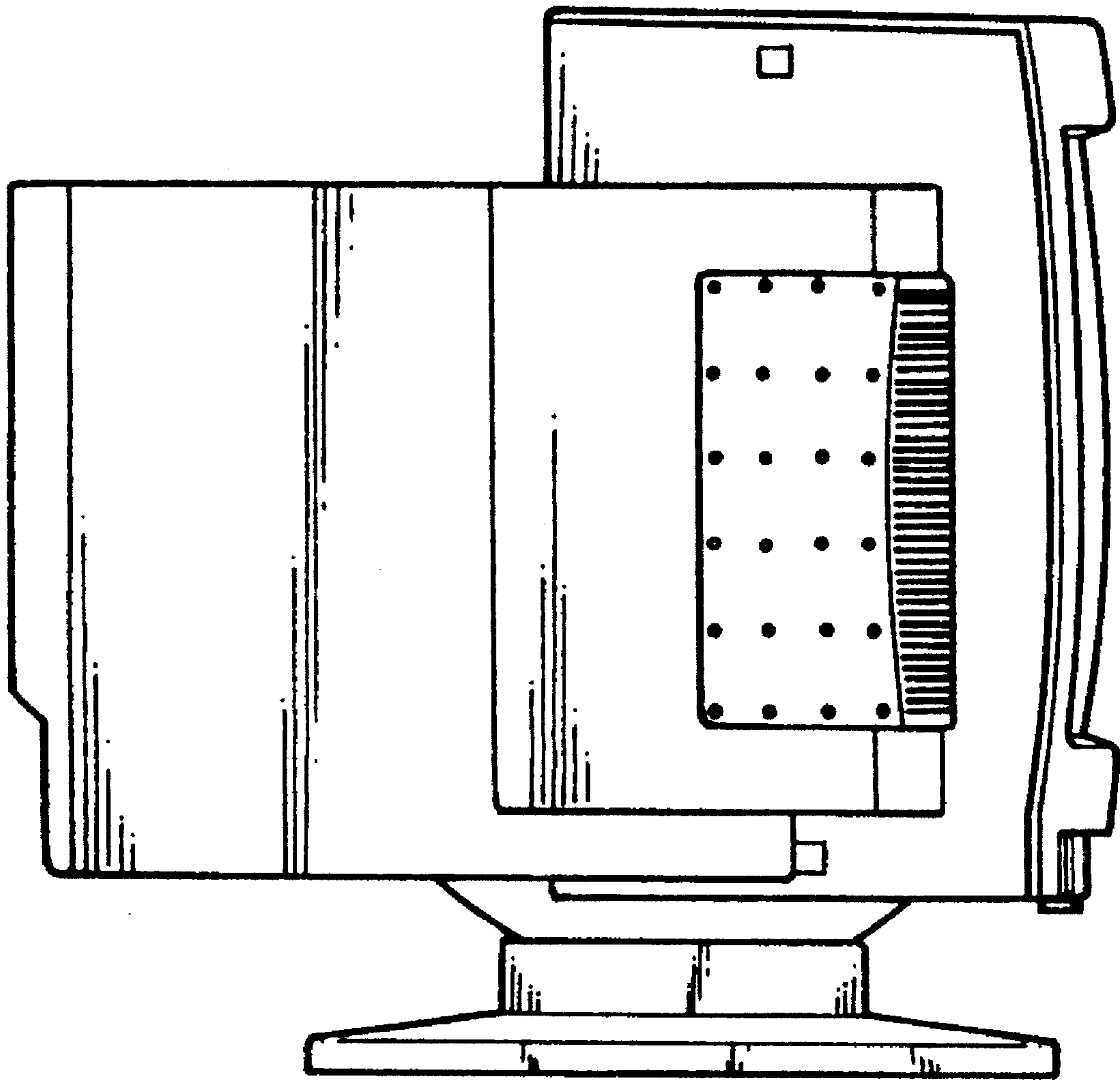


FIG. 2

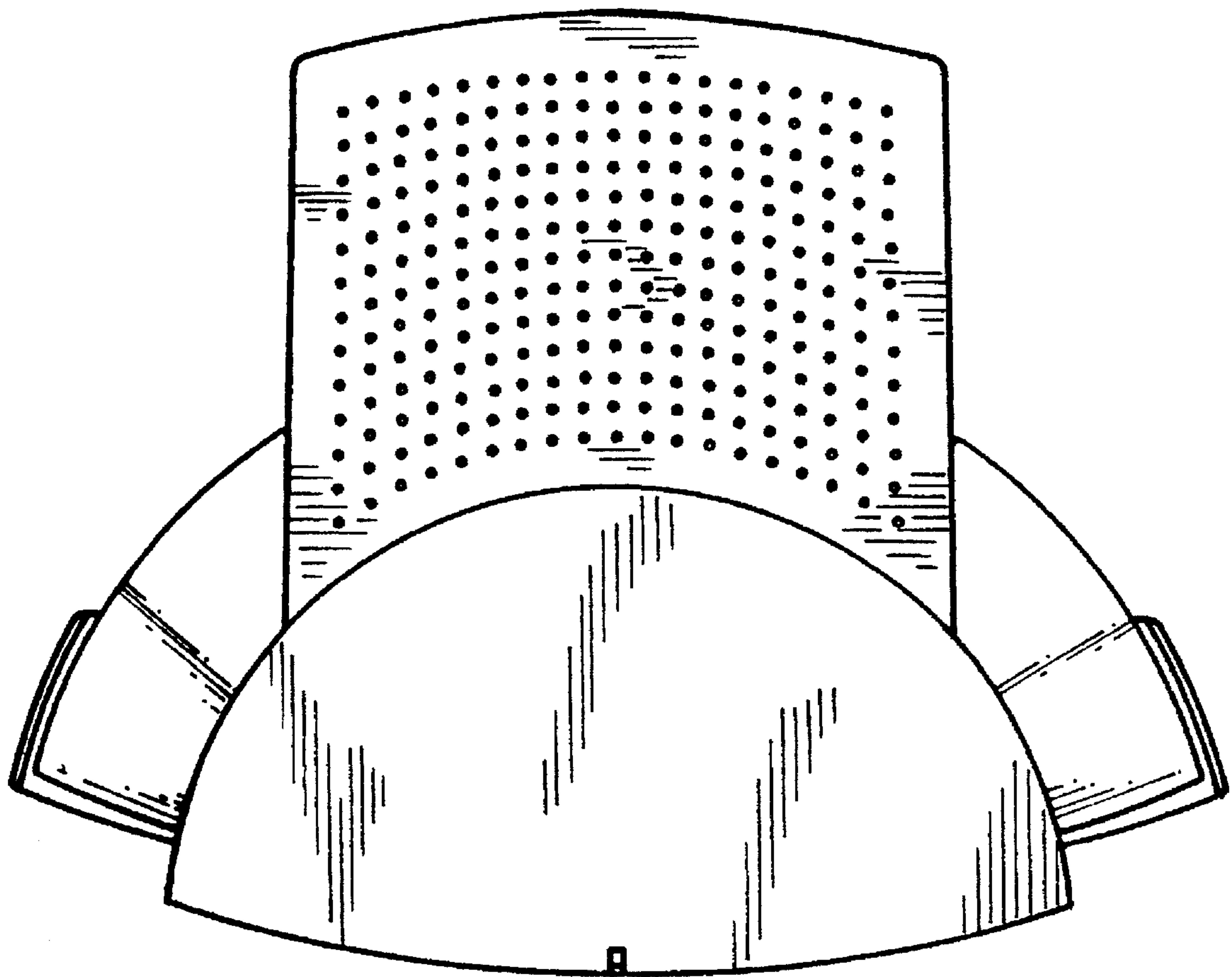


FIG. 3

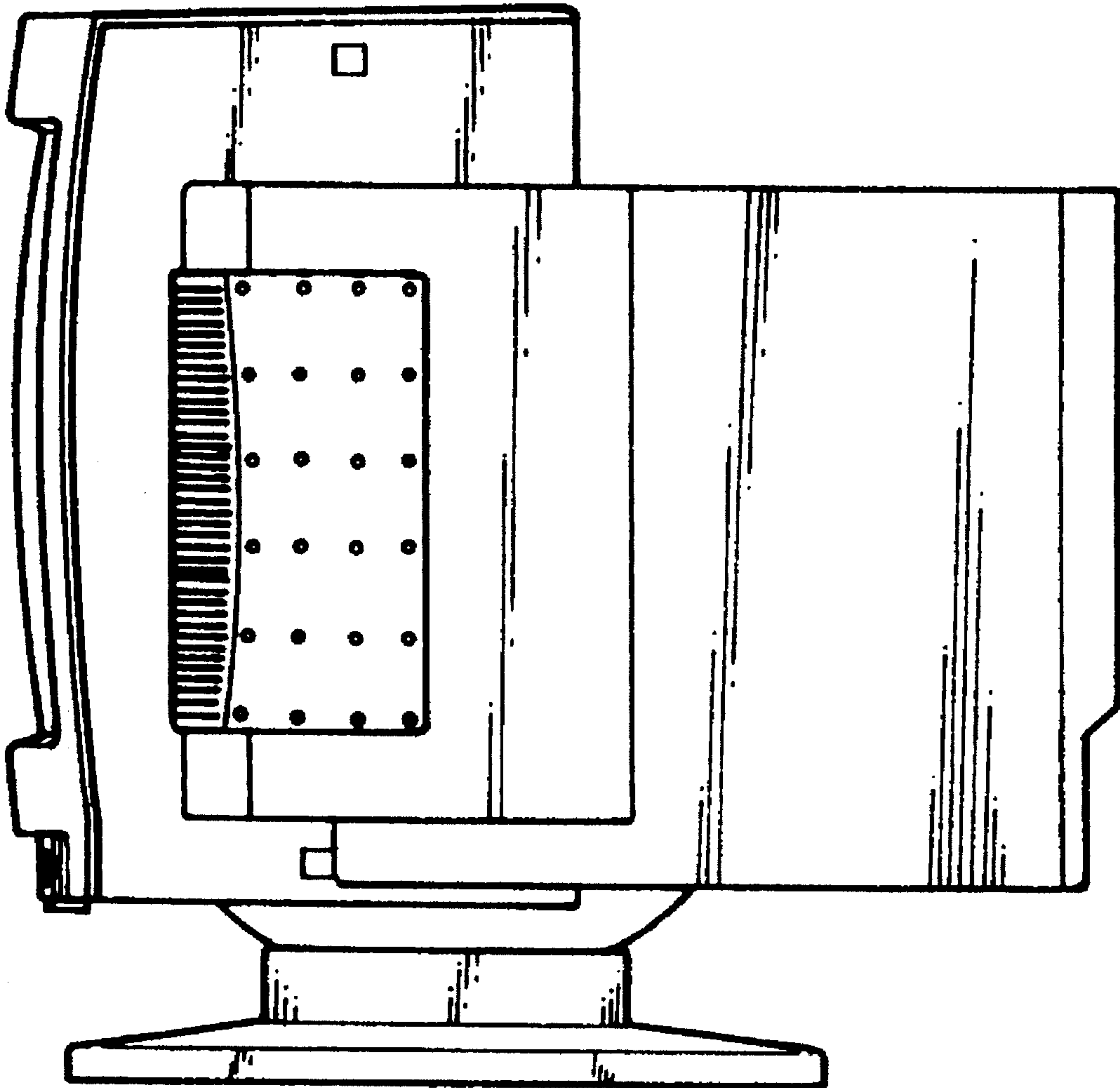


FIG. 4

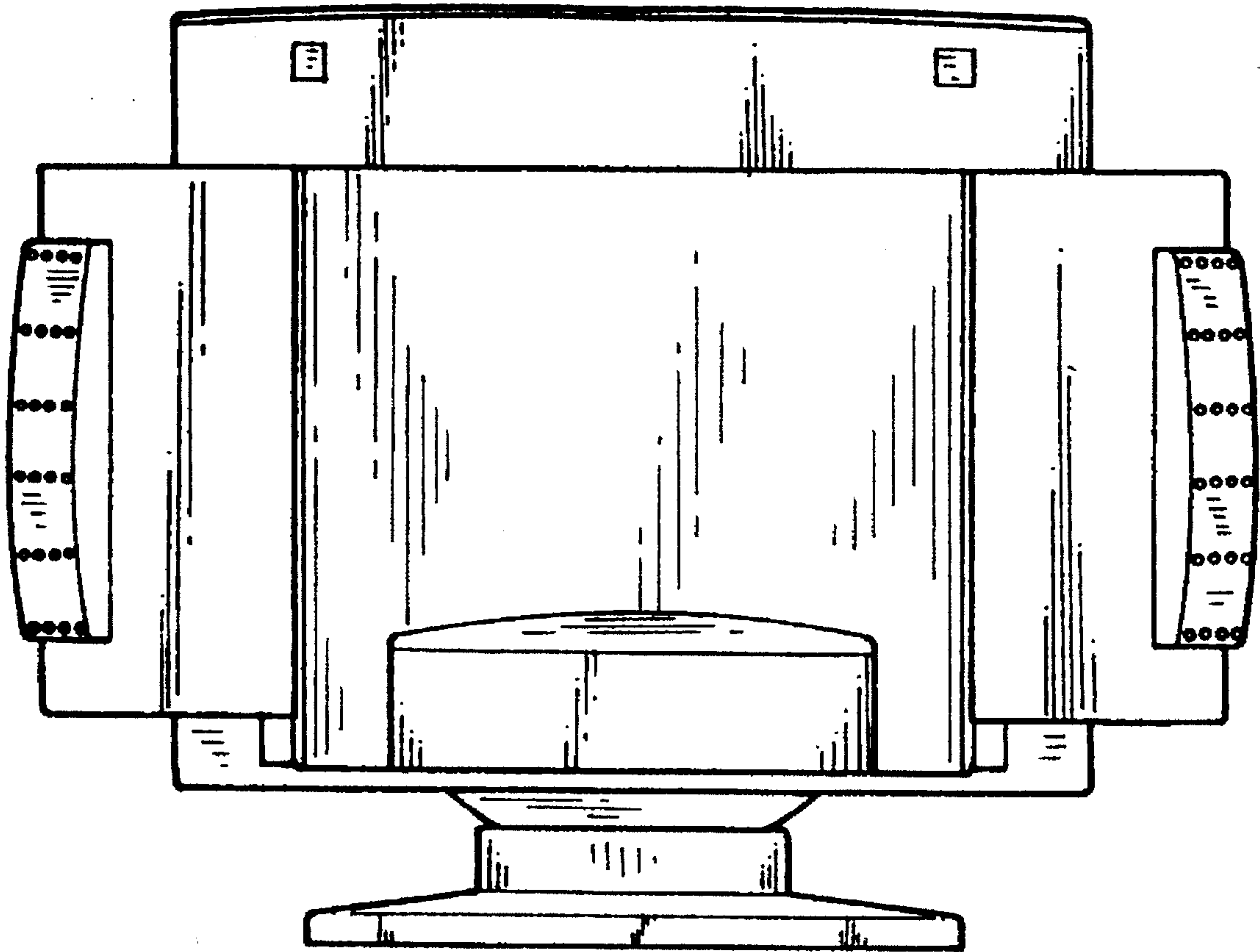


FIG. 5

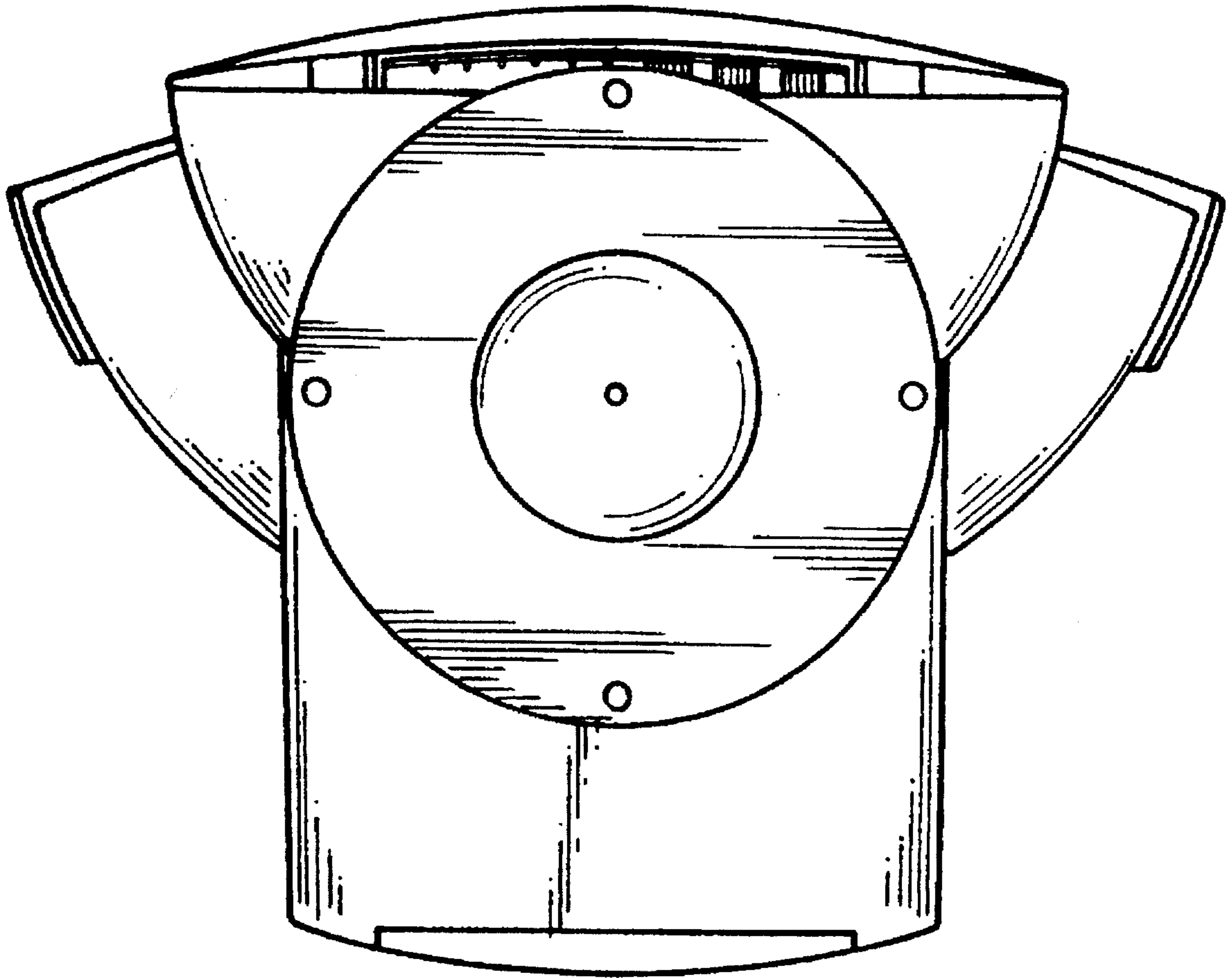


FIG. 6

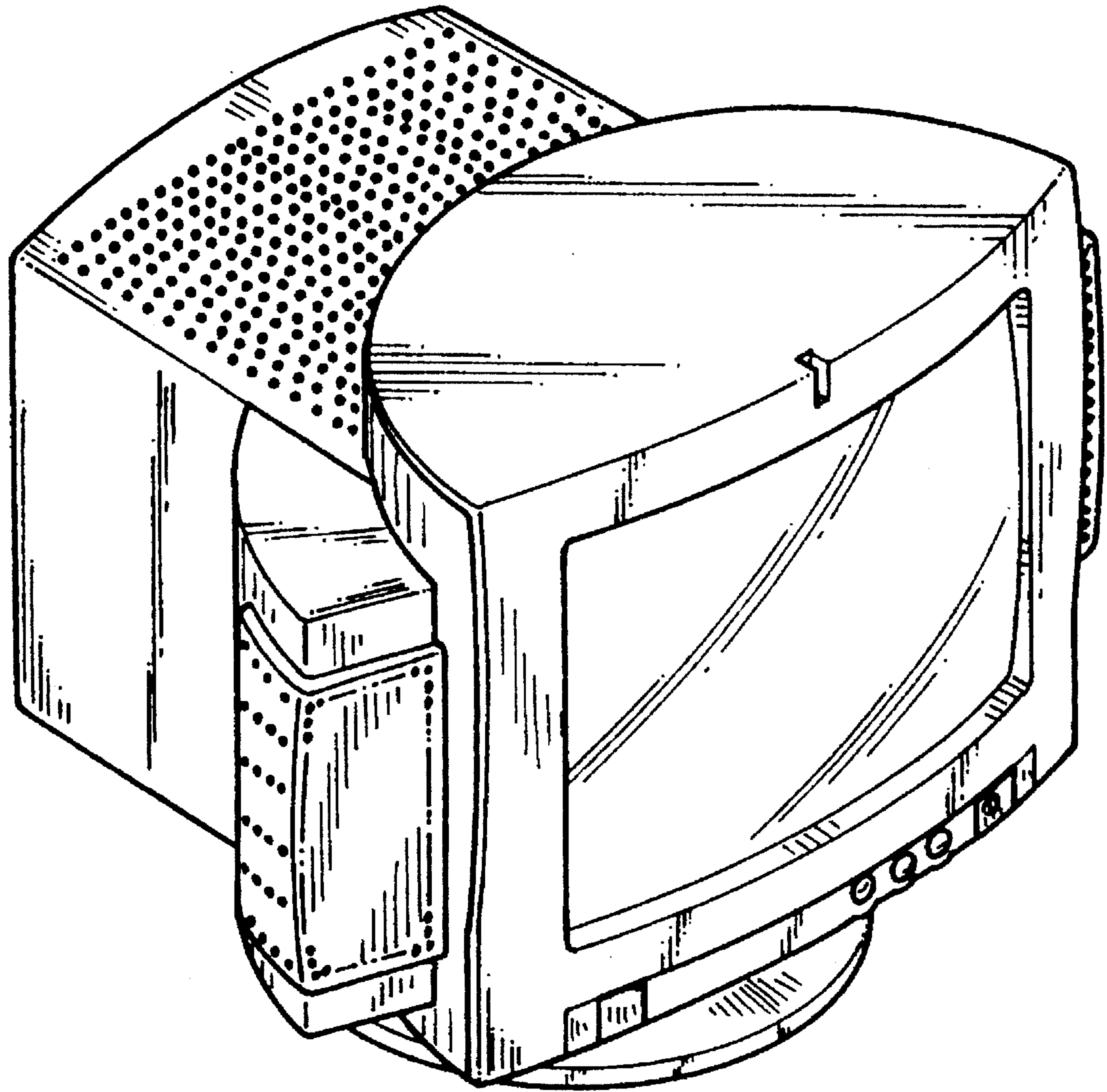


FIG. 7