



US00D369148S

United States Patent [19]

Chen et al.

[11] Patent Number: **Des. 369,148**

[45] Date of Patent: ****Apr. 23, 1996**

[54] **ROLLER TYPE GRAY SCALE SCANNER**

[75] Inventors: **Tony Chen; Thomas Chang**, both of Hsinchu, Taiwan

[73] Assignee: **Umax Data System Inc.**, Hsinchu, Taiwan

[**] Term: **14 Years**

[21] Appl. No.: **38,443**

[22] Filed: **May 5, 1995**

[52] U.S. Cl. **D14/107**

[58] Field of Search D14/100, 105, D14/107, 118; D18/36, 37, 39, 46, 55; 250/566, 568; 355/231, 233; 358/488, 497, 408, 472, 474; 235/454, 462, 470, 380, 382, 382.5, 476, 482, 472, 483, 441

[56] **References Cited**

U.S. PATENT DOCUMENTS

D. 330,200 10/1992 Cheung D14/118

D. 358,835 5/1995 Iwamoto D18/46 X
D. 361,554 8/1995 Mochizuki et al. D18/46 X
4,703,186 10/1987 Nakayama et al. 235/472 X

Primary Examiner—Freda Nunn

Attorney, Agent, or Firm—Shoemaker and Mattare, Ltd.

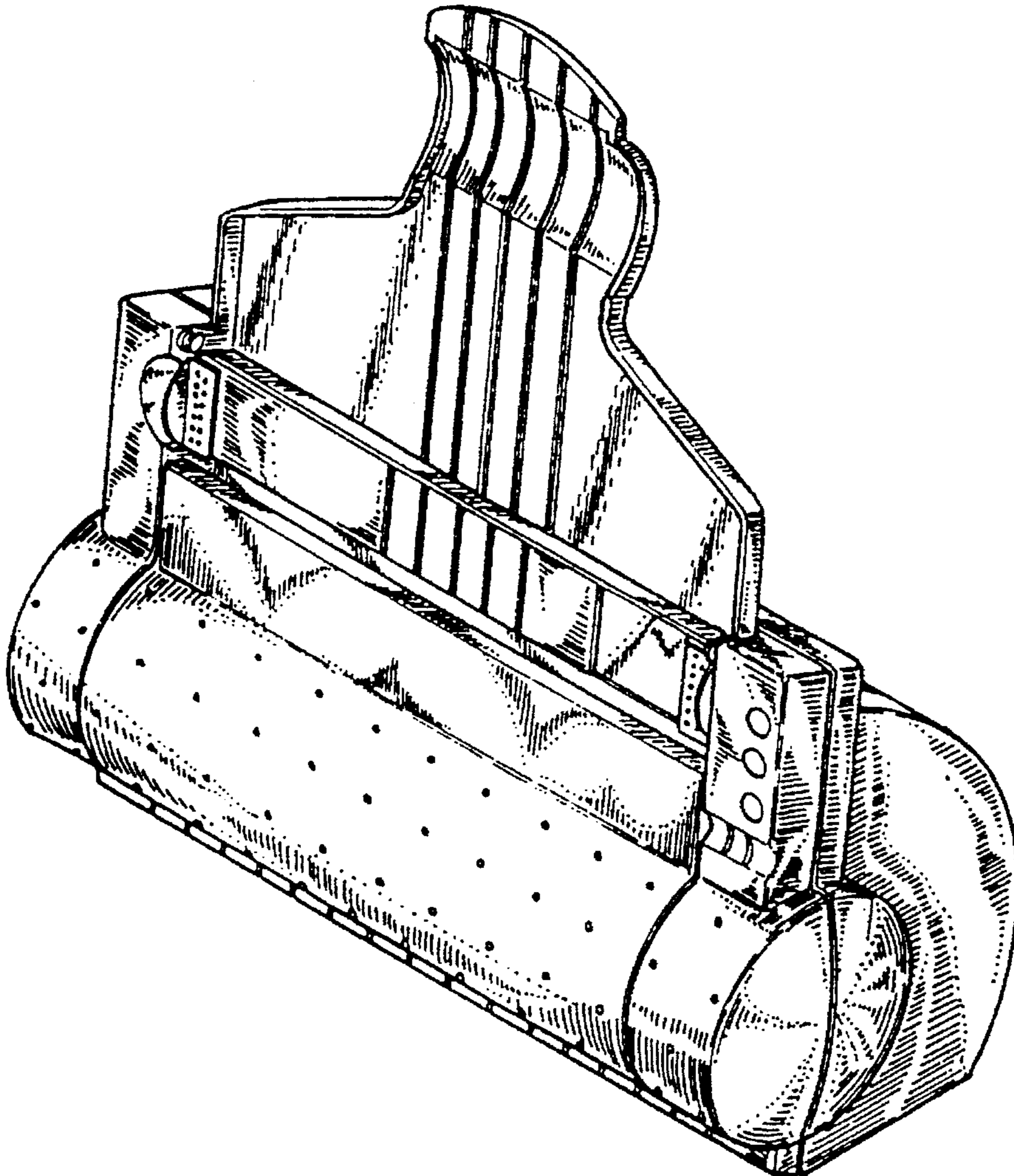
[57] **CLAIM**

The ornamental design for a roller type gray scale scanner, as shown.

DESCRIPTION

FIG. 1 is a front elevational view of a roller type gray scale scanner; FIG. 2 is a rear elevational view; FIG. 3 is a left side elevational view; FIG. 4 is a right side elevational view; FIG. 5 is a top view; FIG. 6 is a bottom view; and, FIG. 7 is a perspective view.

1 Claim, 4 Drawing Sheets



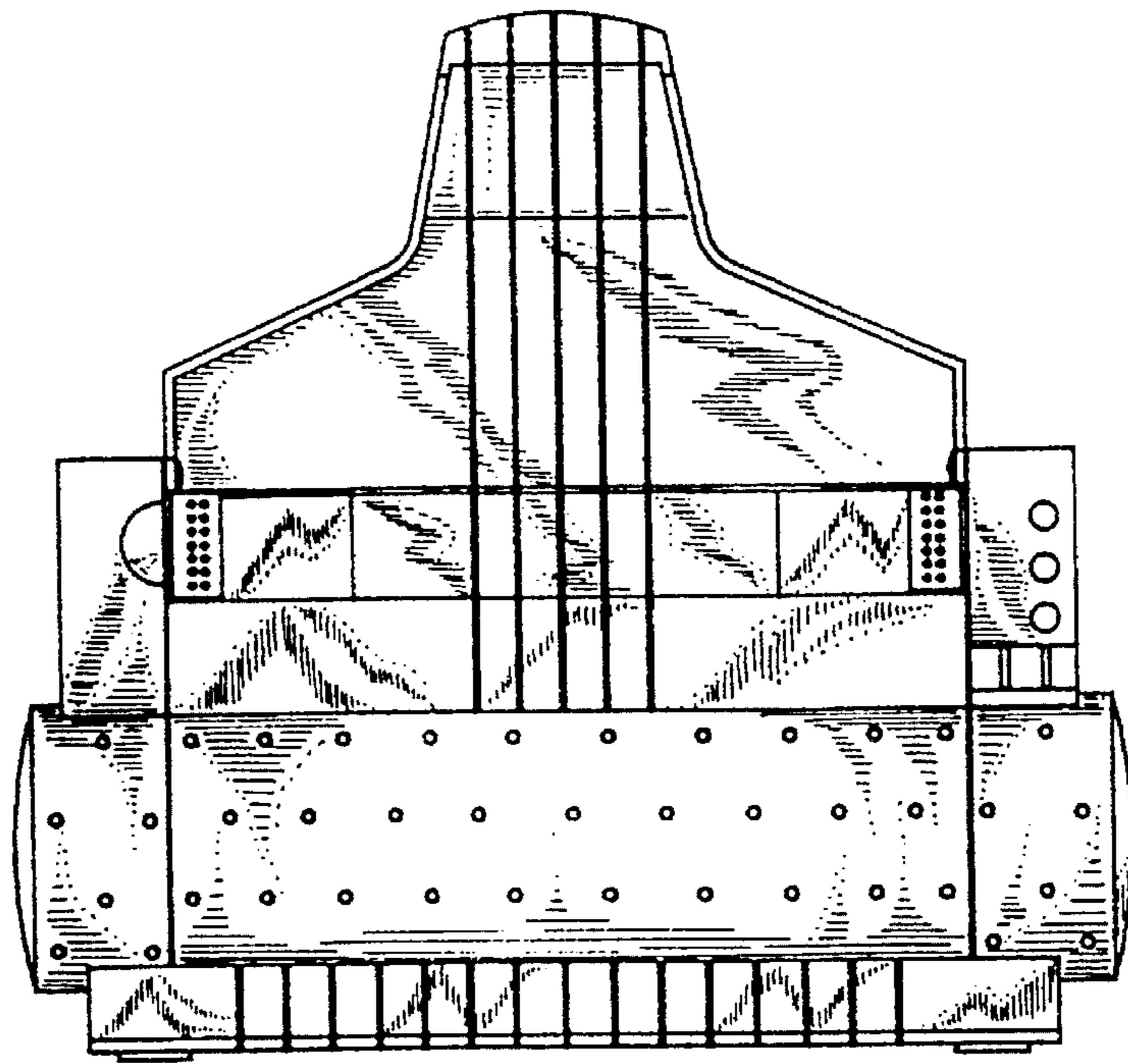


FIG. 1

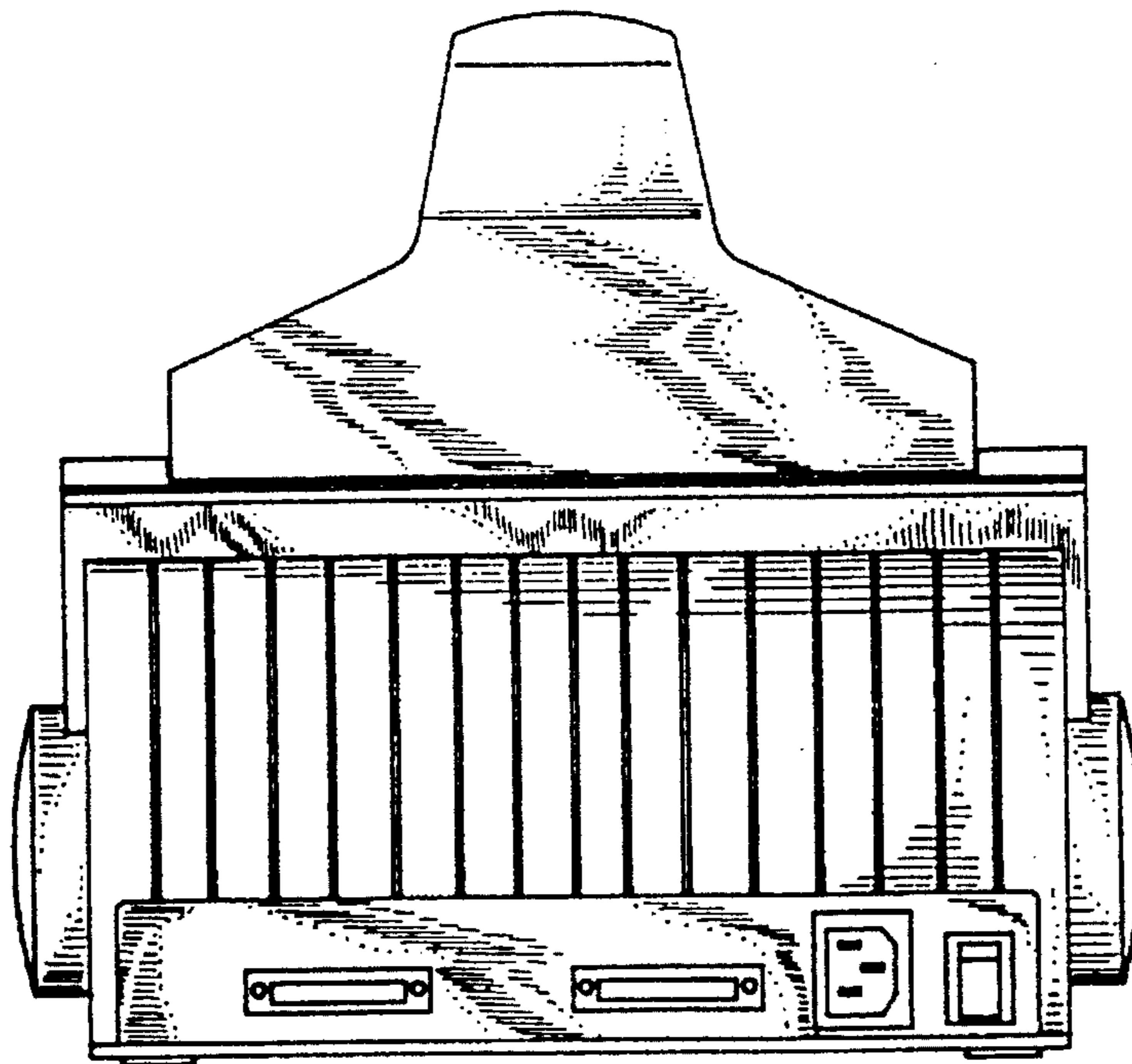


FIG. 2

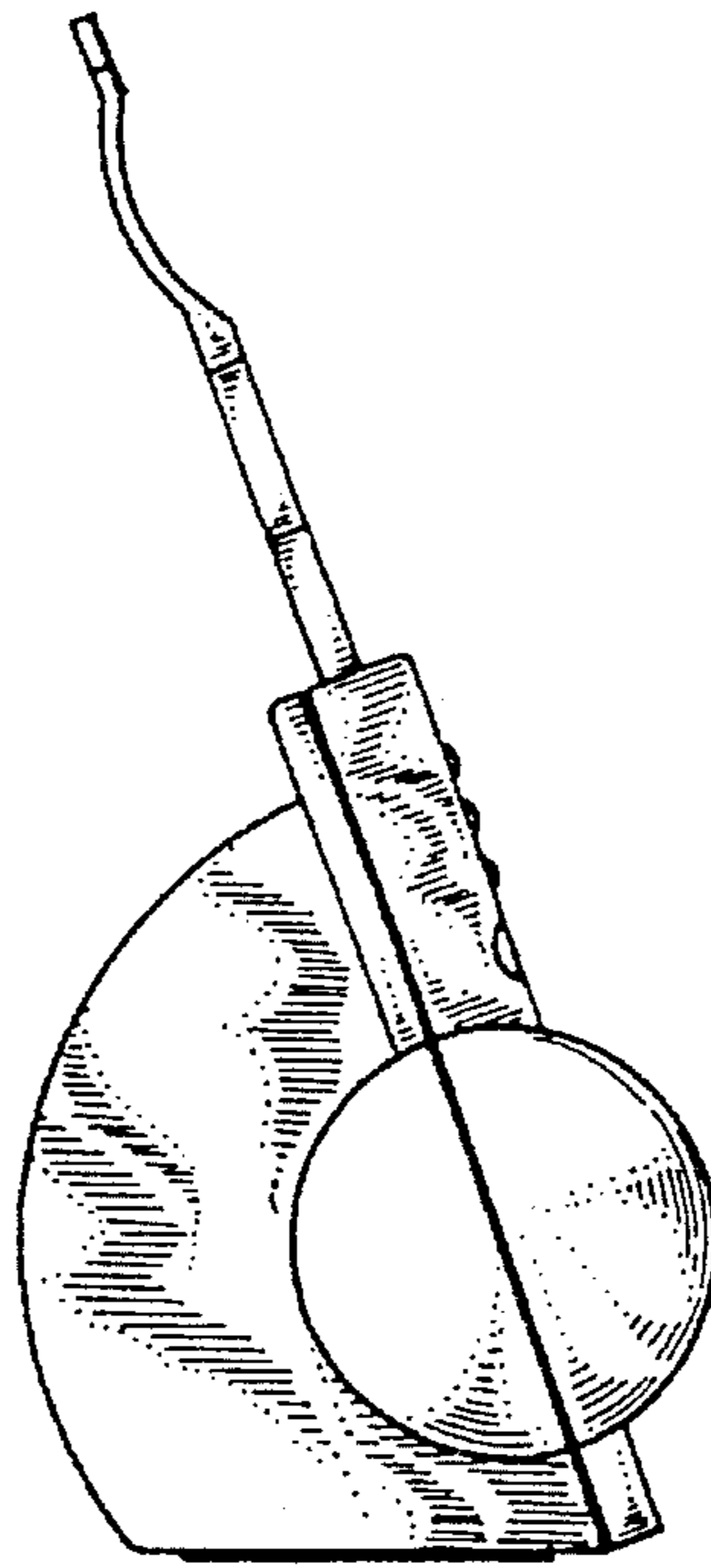


FIG. 3

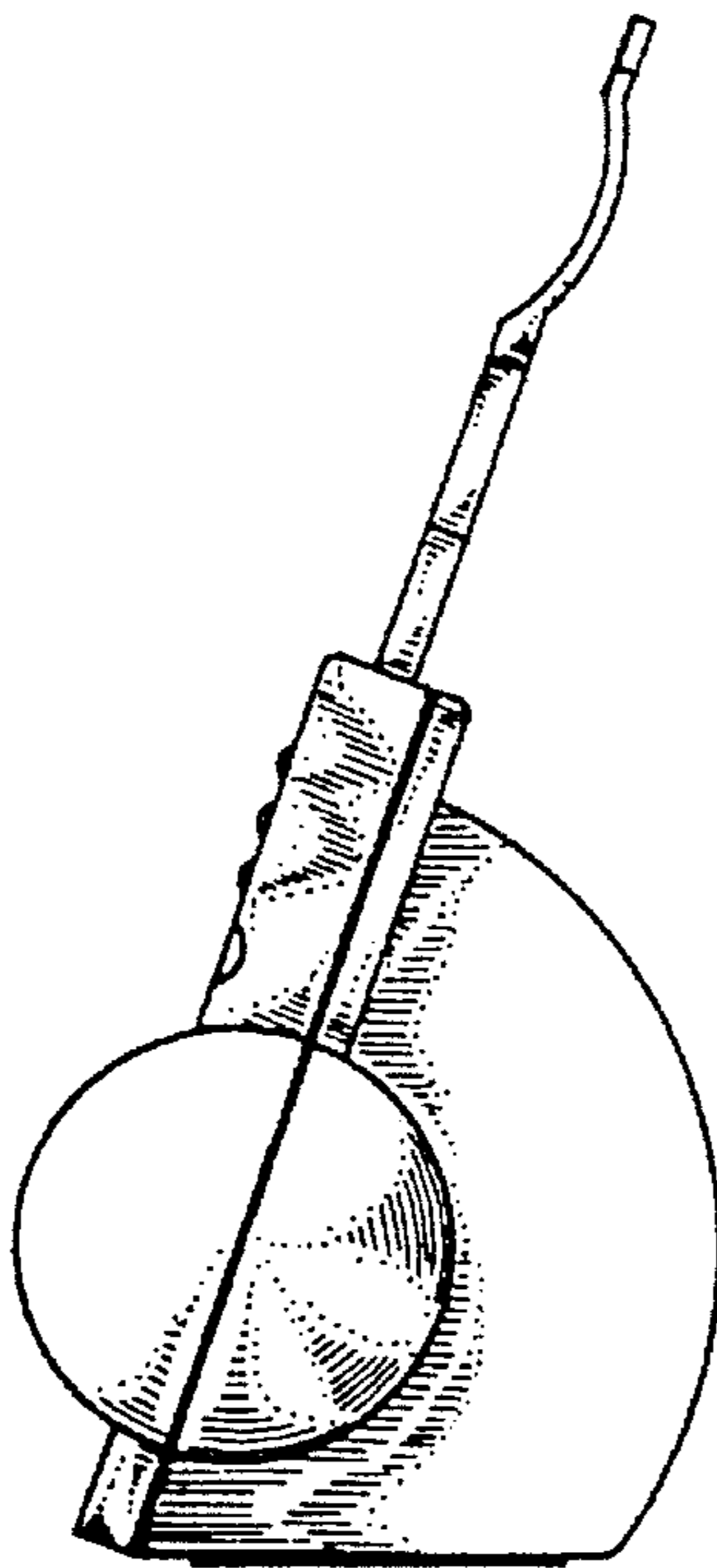


FIG. 4

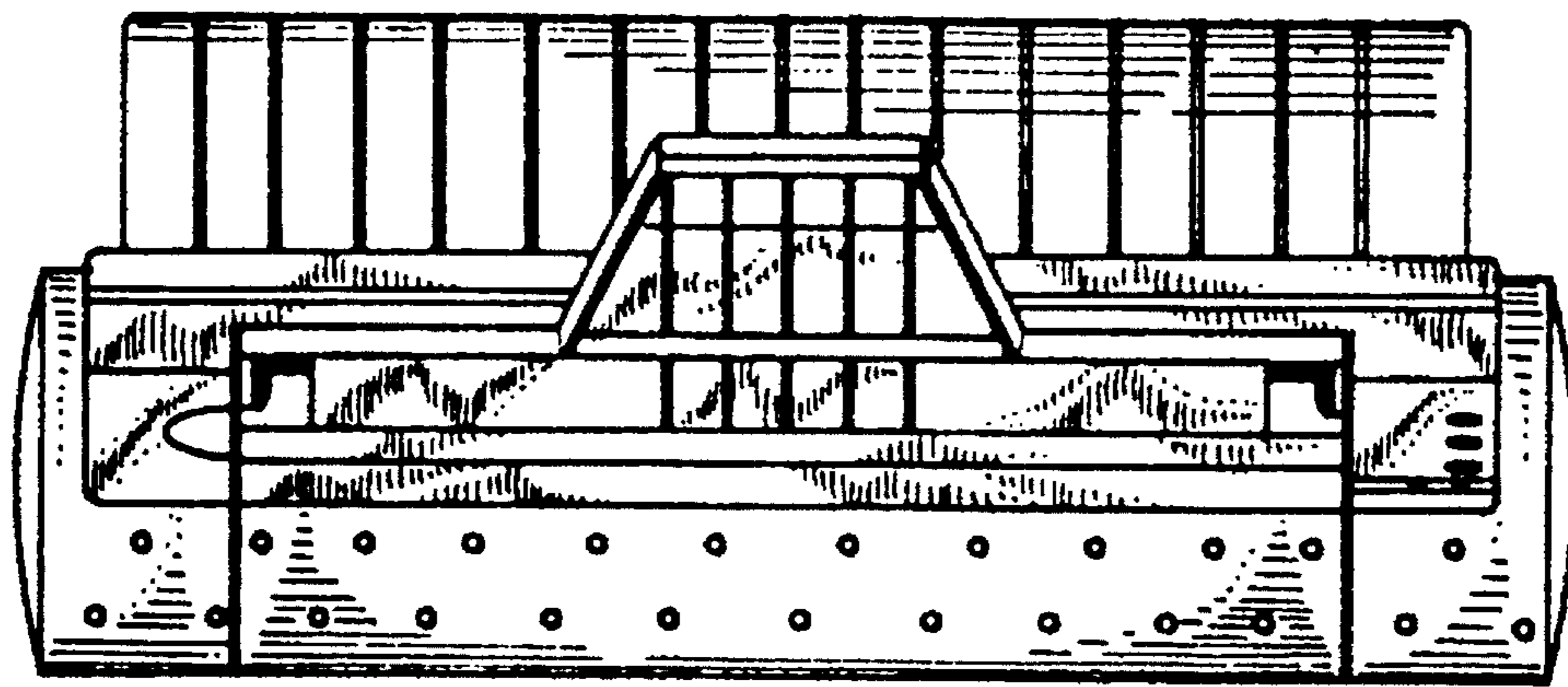


FIG. 5

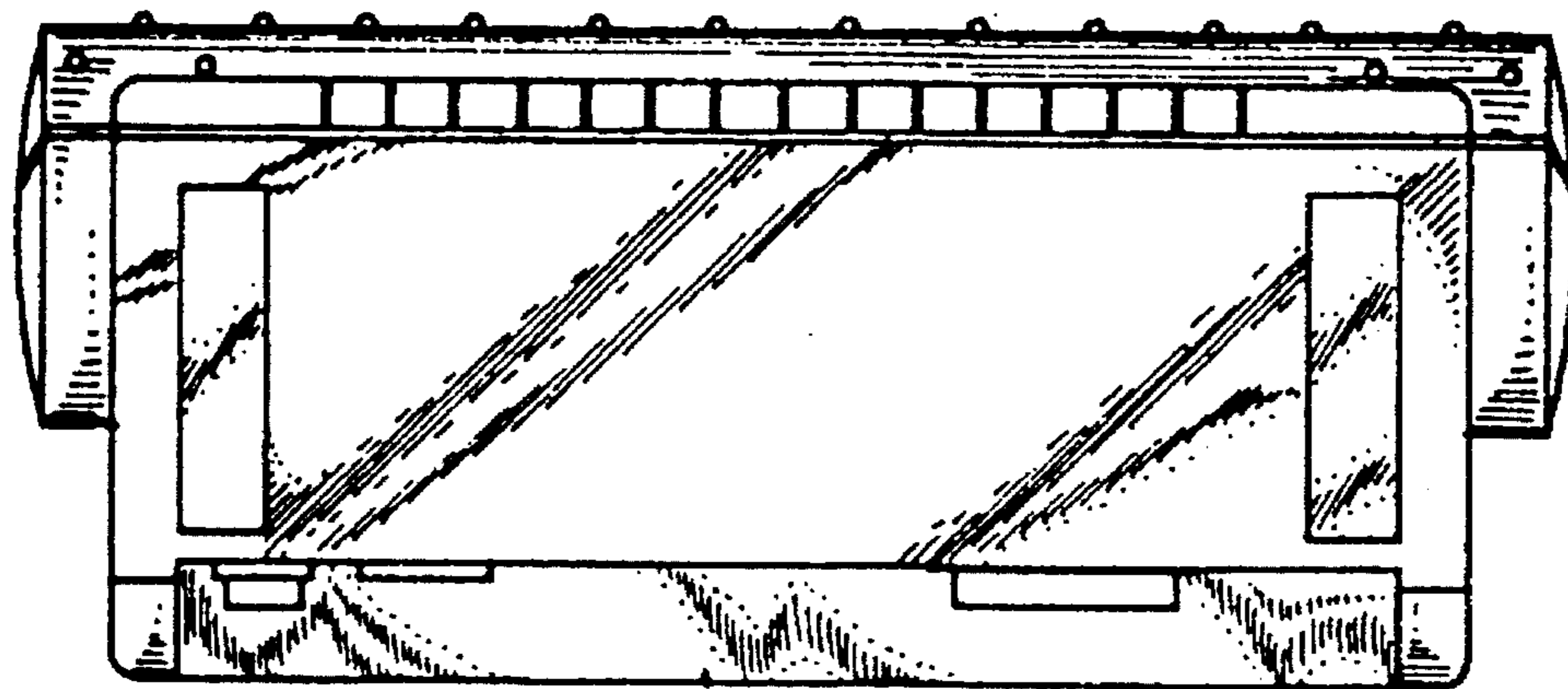


FIG. 6

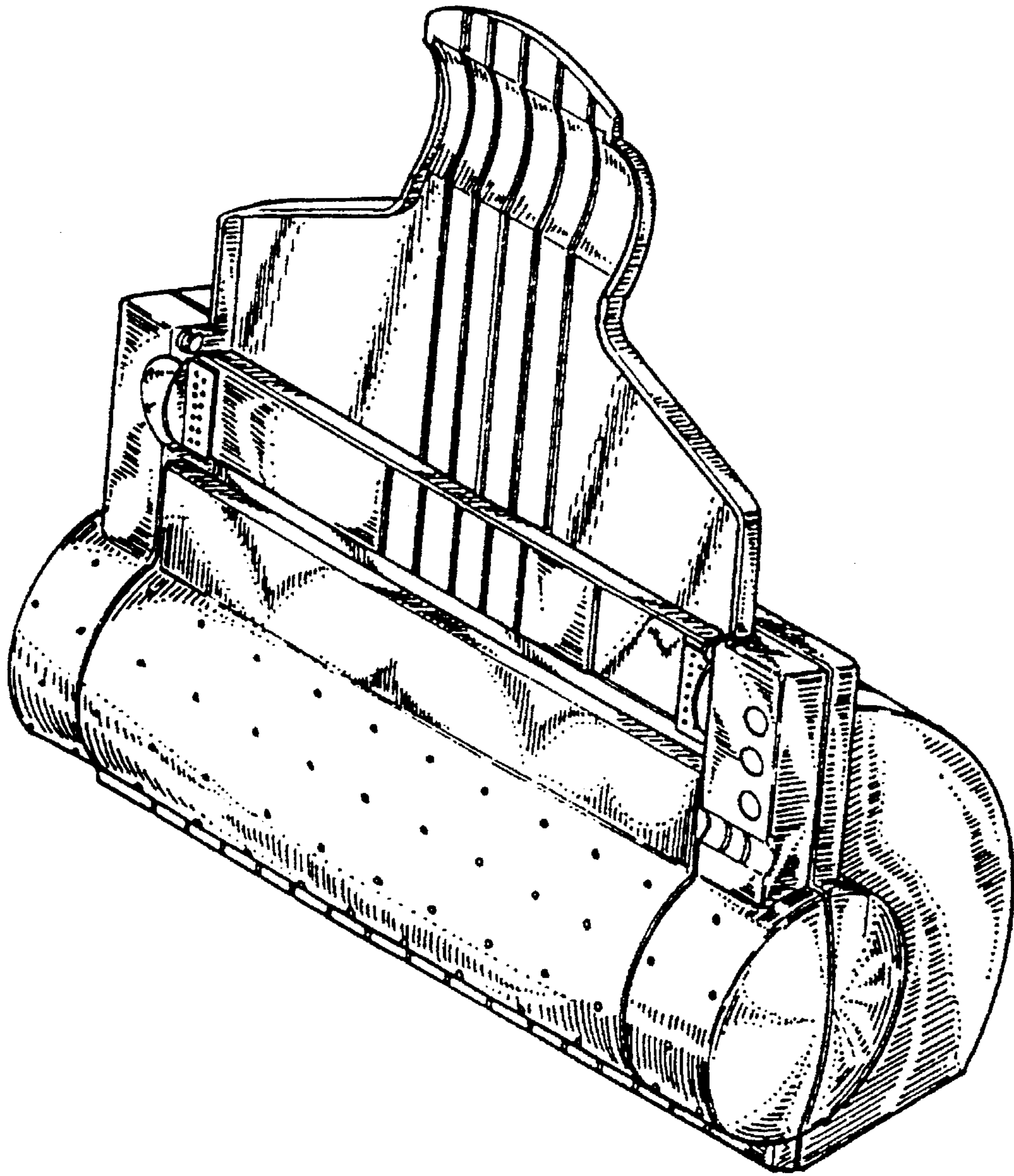


FIG. 7