



US00D369147S

# United States Patent [19]

[11] Patent Number: **Des. 369,147**

Iino et al.

[45] Date of Patent: **\*\*Apr. 23, 1996**

[54] **ELECTRONIC COMPUTER**

[75] Inventors: **Masaaki Iino**, Yokohama; **Tooru Okuyama**, Kanagawa, both of Japan

[73] Assignee: **Kabushiki Kaisha Toshiba**, Kanagawa, Japan

[\*\*] Term: **14 Years**

[21] Appl. No.: **34,011**

[22] Filed: **Jan. 25, 1995**

[30] **Foreign Application Priority Data**

Jul. 25, 1994 [JP] Japan ..... 6-21918

[52] U.S. Cl. .... **D14/106**

[58] Field of Search ..... D14/100, 101, D14/106, 113, 115, 124-129; D18/1, 7; 235/145 A, 145 R; 341/22, 23; 345/104, 156, 168, 173, 901-905, 87; 361/679-686; 364/708.1, 709.04, 709.12; 400/486, 489

[56] **References Cited**

**U.S. PATENT DOCUMENTS**

- D. 308,860 6/1990 Tsukada et al. .... D14/106
- D. 310,213 8/1990 Tsukada et al. .... D14/106
- D. 310,828 9/1990 Grundstrom et al. .... D14/106
- D. 311,527 10/1990 Fujii et al. .... D14/106

(List continued on next page.)

**FOREIGN PATENT DOCUMENTS**

- M8802901 5/1989 Germany .
- M9103696 2/1992 Germany .
- M9103652 2/1992 Germany .

(List continued on next page.)

**OTHER PUBLICATIONS**

Japanese Article, Tandy 200, Mar. 16, 1985.  
 Minttel 5, Portable and Multi-Norm Terminal Developed for the French Post and Telecommunication Administration, Matra Communication, NEC. (1987).  
 Rein, Laptop 300 SLC, AT-Kompatibel, Floppy Disk 1.2 MB, Hard Disk 20 MB, Plasma Display, mit EGA und

CGA-Graphik-Mode (Oct. 29, 1987).  
 MultiSpeed EL Model, The Bright Move, NEC (1988).  
 NoteMaster 386S/16, Nov. 12, 1990, S3710-16 MHz 80386Sx-Based Notebook PC.  
 Ricoh-Magus Feb. 1, 1990 (in Japanese).  
 Mitsubishi Maxy (May 15, 1990) (two pages in Japanese).  
 52 Note (May 15, 1991).  
 Goldstar, GS620 386SX/20 MHz AT-Compatible Notebook 1991.  
 Mobile Office, Contact Management, Top Ten Programs Compared (Jun. 1991).  
 Travel Mate-Texas Instruments (Feb. 5, 1992).  
 if Note, OKI, obtained Feb. 5, 1992.  
 AST Premium Exec 386SX/25 Color 1991.  
 BriteLite IPX-Daisin Electric Nihon Kogyo Shinbun (Feb. 19, 1992).  
 Everex 5.2 Lightweight Champion of the World, Jun. 22, 1989.  
 Sharp, AX286N-H2, May 18, 1990, All in Note.  
 NoteMaster, Samsung, Obtained Sep. 17, 1992.  
 Jun. 22, 1992, Upgradeable 486 Power, The New 400 Series by altima.

*Primary Examiner*—Freda Nunn  
*Attorney, Agent, or Firm*—Banner & Allegretti, Ltd.

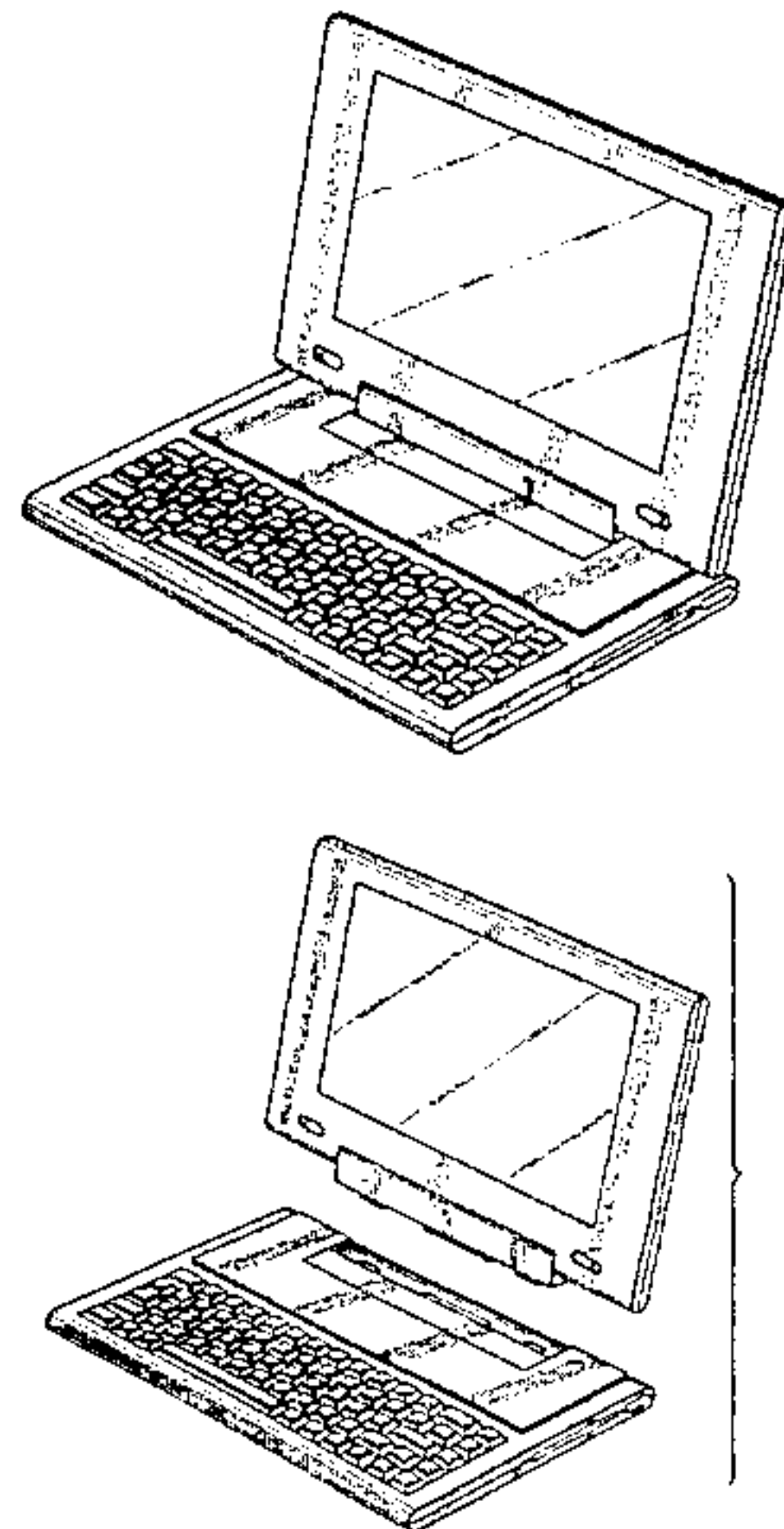
[57] **CLAIM**

The ornamental design for an electronic computer, as shown and described.

**DESCRIPTION**

FIG. 1 is a top, front and right side perspective view of an electronic computer showing my new design;  
 FIG. 2 is a front elevational view thereof;  
 FIG. 3 is a top plan view thereof;  
 FIG. 4 is a right side elevational view thereof;  
 FIG. 5 is a left side elevational view thereof;  
 FIG. 6 is a rear elevational view thereof;  
 FIG. 7 is a bottom plan view thereof;  
 FIG. 8 is a top, front and right side perspective view thereof with the computer being in a closed position; and,  
 FIG. 9 is a top, front and right side perspective view thereof with the display panel being detached from the computer body.

**1 Claim, 5 Drawing Sheets**



## U.S. PATENT DOCUMENTS

|            |         |                      |           |
|------------|---------|----------------------|-----------|
| D. 312,822 | 12/1990 | Watabe et al. ....   | D14/106   |
| D. 317,442 | 6/1991  | Gintz et al. ....    | D14/106   |
| D. 317,444 | 6/1991  | Mizusugi et al. .... | D14/106   |
| D. 319,819 | 9/1991  | Kawaguchi .....      | D14/106   |
| D. 321,176 | 10/1991 | Ma .....             | D14/106   |
| D. 324,674 | 3/1992  | Iino .....           | D14/106   |
| D. 327,473 | 6/1992  | Iino .....           | D14/106   |
| D. 331,919 | 12/1992 | Sekino et al. ....   | D14/106   |
| D. 334,558 | 4/1993  | Iino .....           | D14/106   |
| D. 335,124 | 4/1993  | Mizusugi et al. .... | D14/106   |
| D. 336,076 | 6/1993  | Masaki .....         | D14/106   |
| D. 336,286 | 6/1993  | Iino .....           | D14/106   |
| D. 336,465 | 6/1993  | Kim .....            | D14/106   |
| D. 337,096 | 7/1993  | Iino .....           | D14/106   |
| D. 338,660 | 8/1993  | Youens et al. ....   | D14/106   |
| D. 338,879 | 8/1993  | Iino .....           | D14/106   |
| D. 343,831 | 2/1994  | Spoeth .....         | D14/106   |
| D. 345,550 | 3/1994  | Iino .....           | D14/106   |
| D. 346,369 | 4/1994  | Iino .....           | D14/106   |
| D. 347,829 | 6/1994  | Iino .....           | D14/106   |
| D. 349,106 | 7/1994  | Iino et al. ....     | D14/106   |
| D. 350,121 | 8/1994  | Kaneko .....         | D14/106   |
| D. 358,374 | 5/1995  | Yamazaki et al. .... | D14/106   |
| 5,355,279  | 10/1994 | Lee et al. ....      | D14/106 X |

## FOREIGN PATENT DOCUMENTS

|          |         |                 |
|----------|---------|-----------------|
| M9106060 | 2/1992  | Germany .       |
| M9106802 | 3/1992  | Germany .       |
| M9200936 | 8/1992  | Germany .       |
| 499866   | 4/1979  | Japan .         |
| 639216   | 11/1984 | Japan .         |
| 763838   | 6/1986  | Japan .         |
| 685121   | 8/1986  | Japan .         |
| 686658   | 9/1986  | Japan .         |
| 746985   | 4/1989  | Japan .         |
| 763840   | 6/1989  | Japan .         |
| 763855   | 6/1989  | Japan .         |
| 872105   | 7/1993  | Japan .         |
| 893044   | 3/1994  | Japan .         |
| 893156   | 3/1994  | Japan .         |
| 85-15988 | 2/1987  | Rep. of Korea . |
| 90-10182 | 5/1991  | Rep. of Korea . |
| 90-9679  | 6/1991  | Rep. of Korea . |
| 90-9680  | 6/1991  | Rep. of Korea . |
| 90-10726 | 7/1991  | Rep. of Korea . |
| 90-10185 | 7/1991  | Rep. of Korea . |
| 90-7771  | 7/1991  | Rep. of Korea . |
| 90-17971 | 9/1991  | Rep. of Korea . |
| 90-18478 | 2/1992  | Rep. of Korea . |
| 91-5227  | 5/1992  | Rep. of Korea . |
| 149344   | 1/1991  | Taiwan .        |



FIG. 1

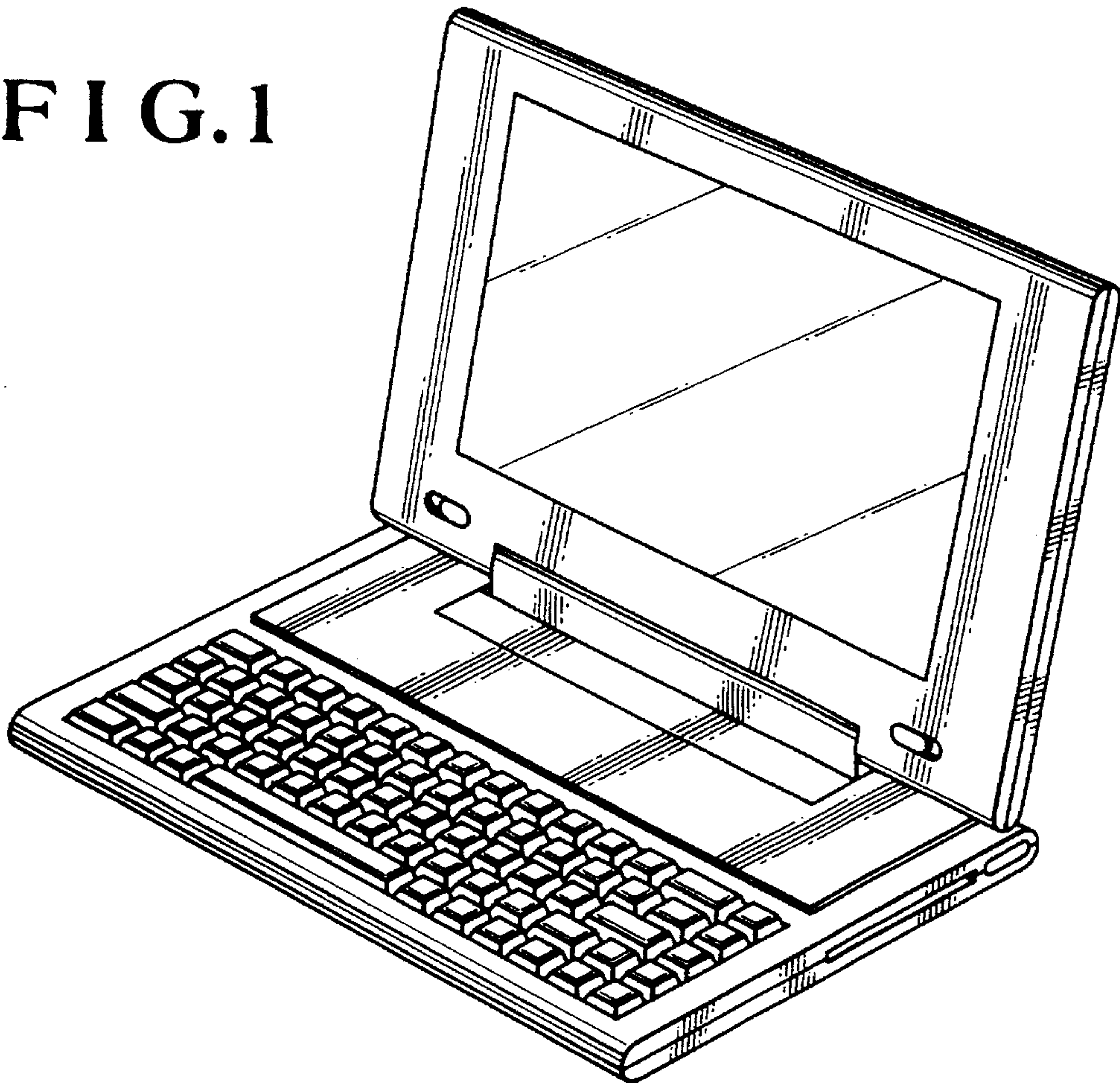


FIG. 2

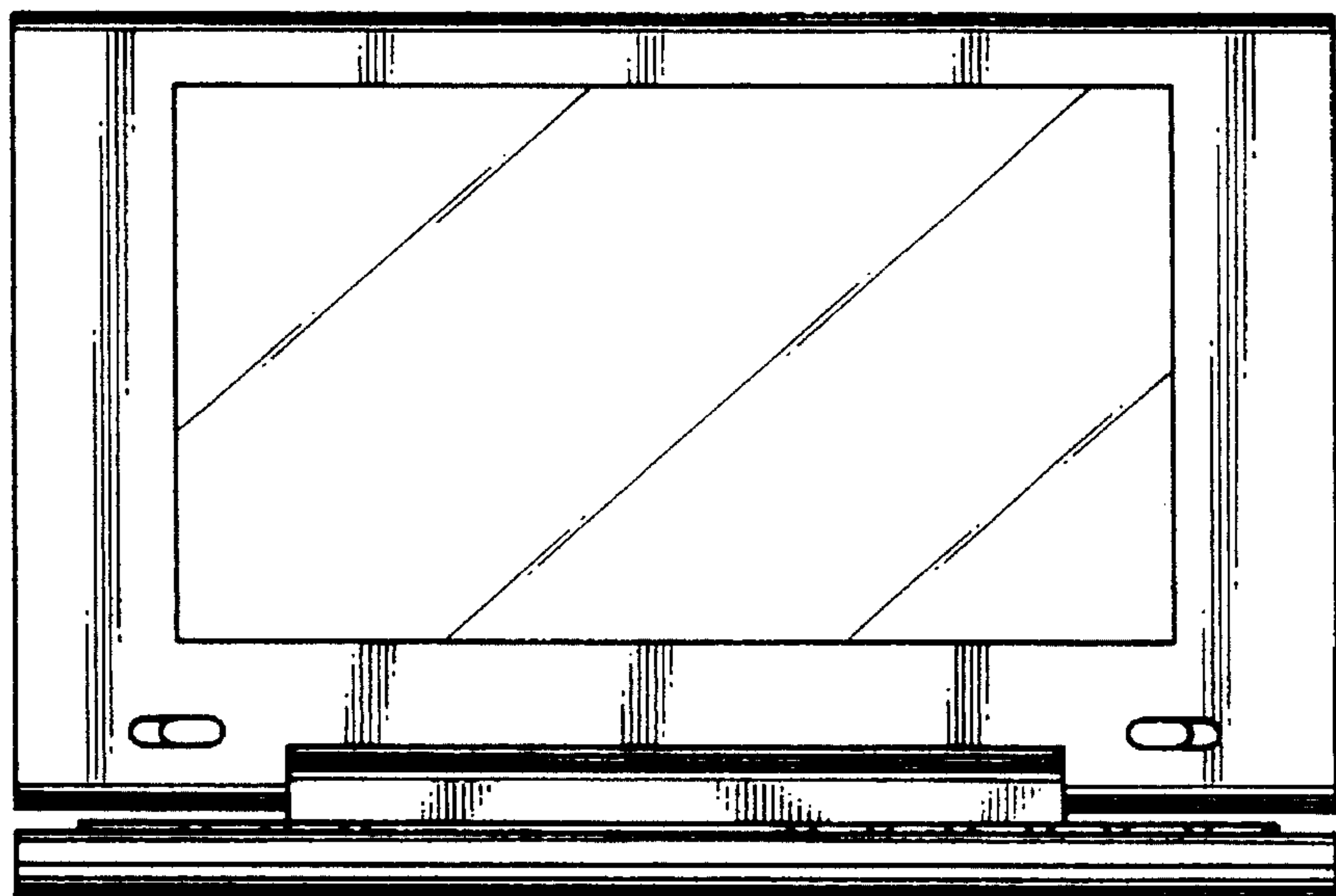


FIG.3

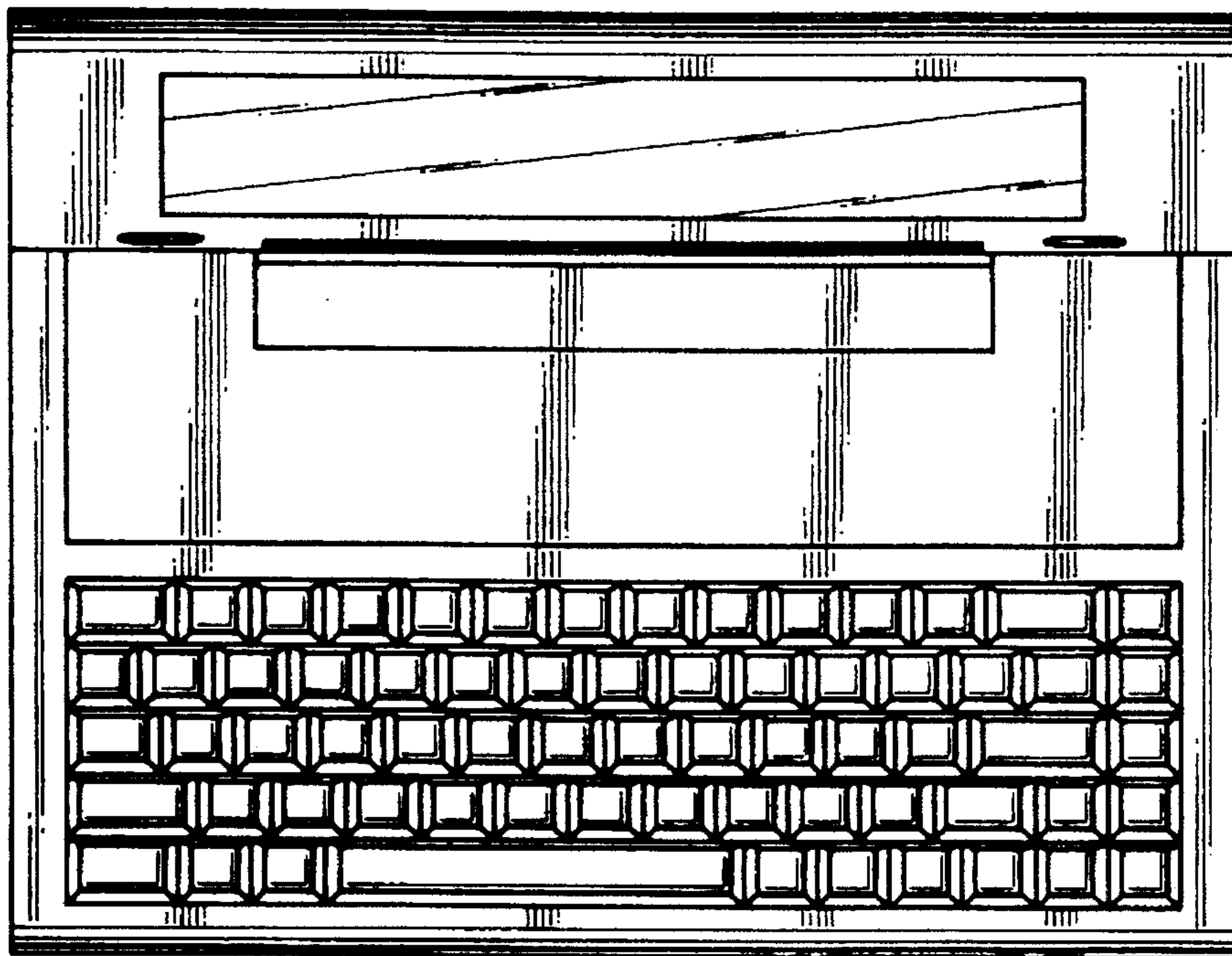


FIG.4

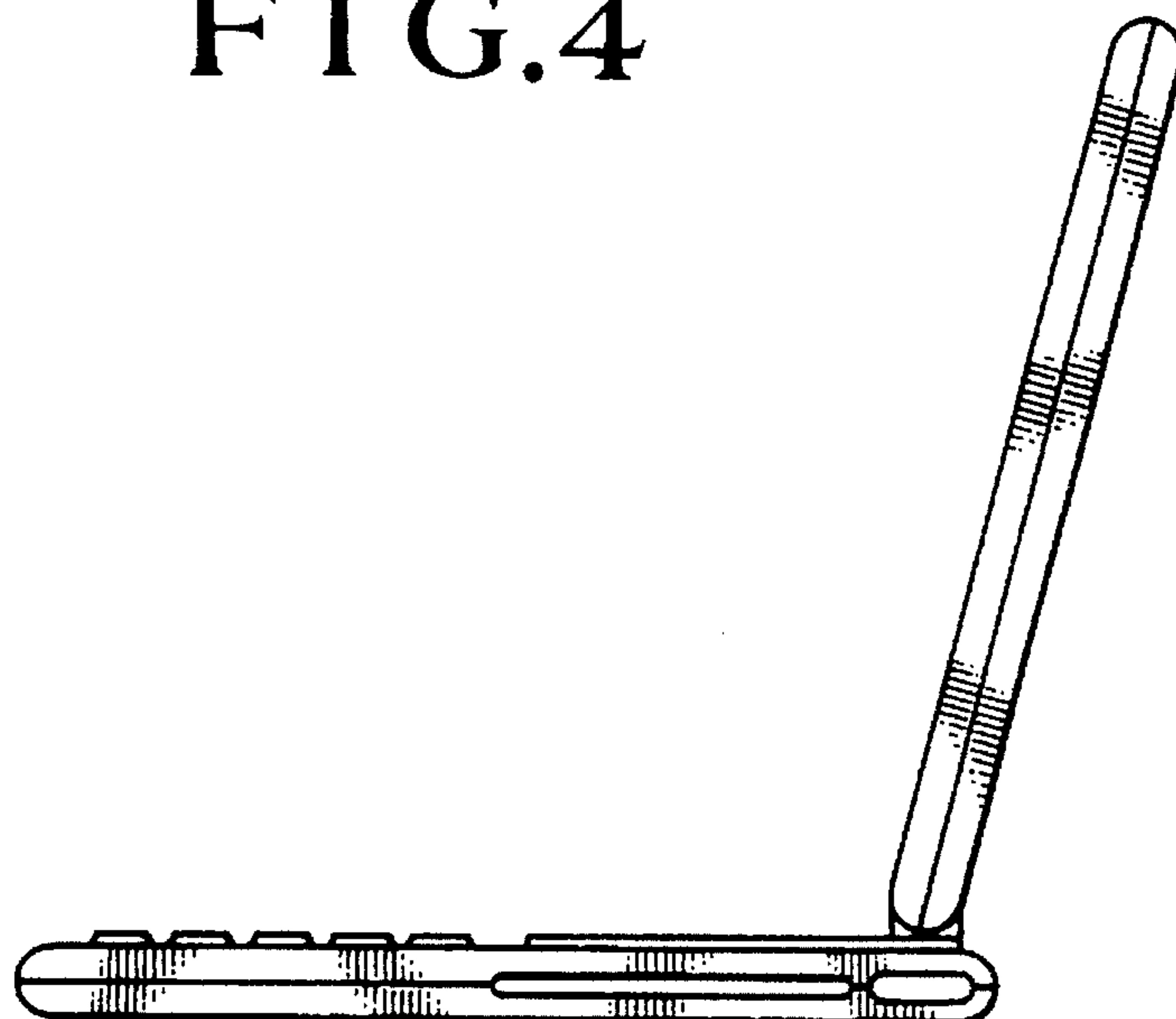


FIG.5

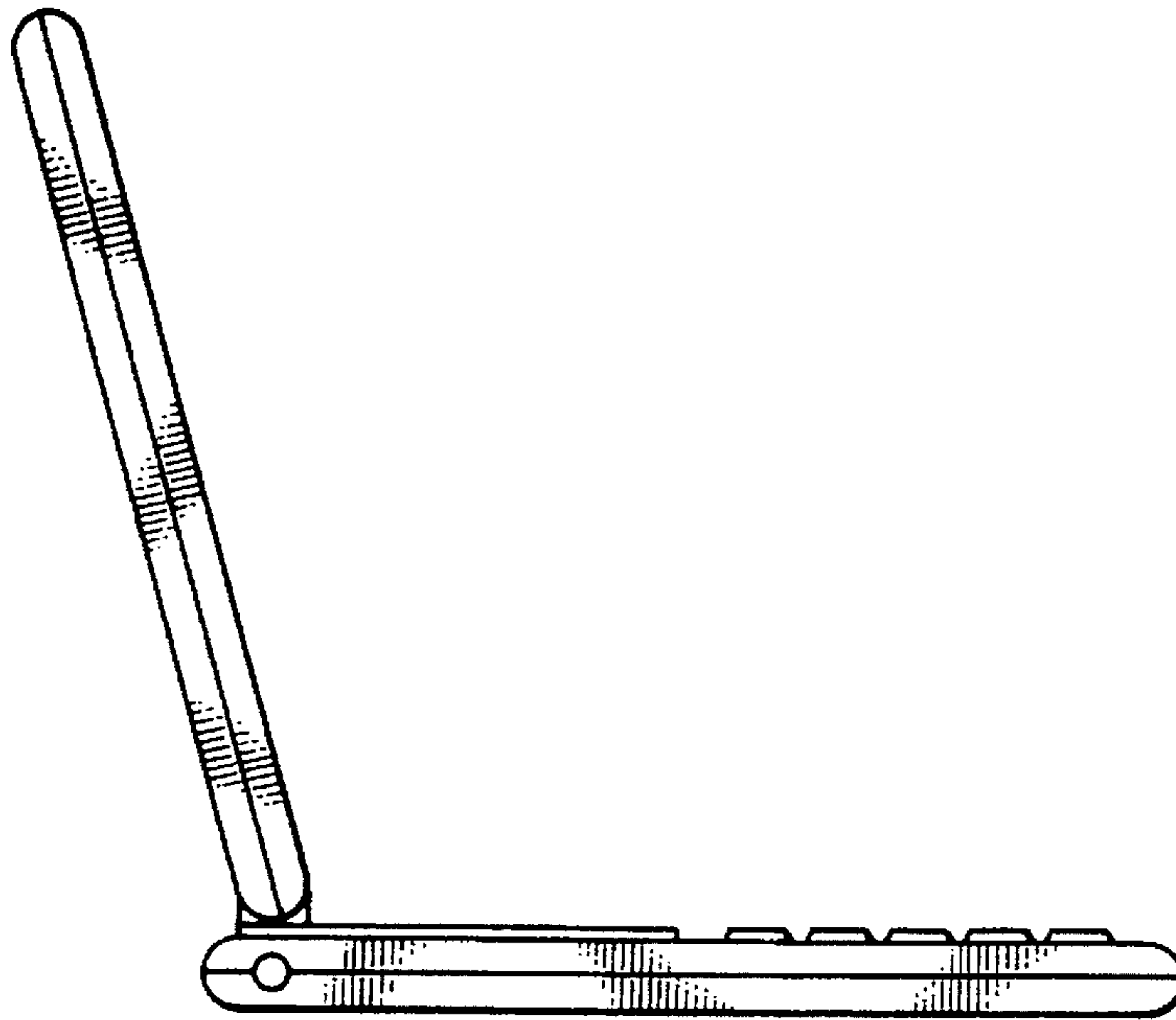


FIG.6

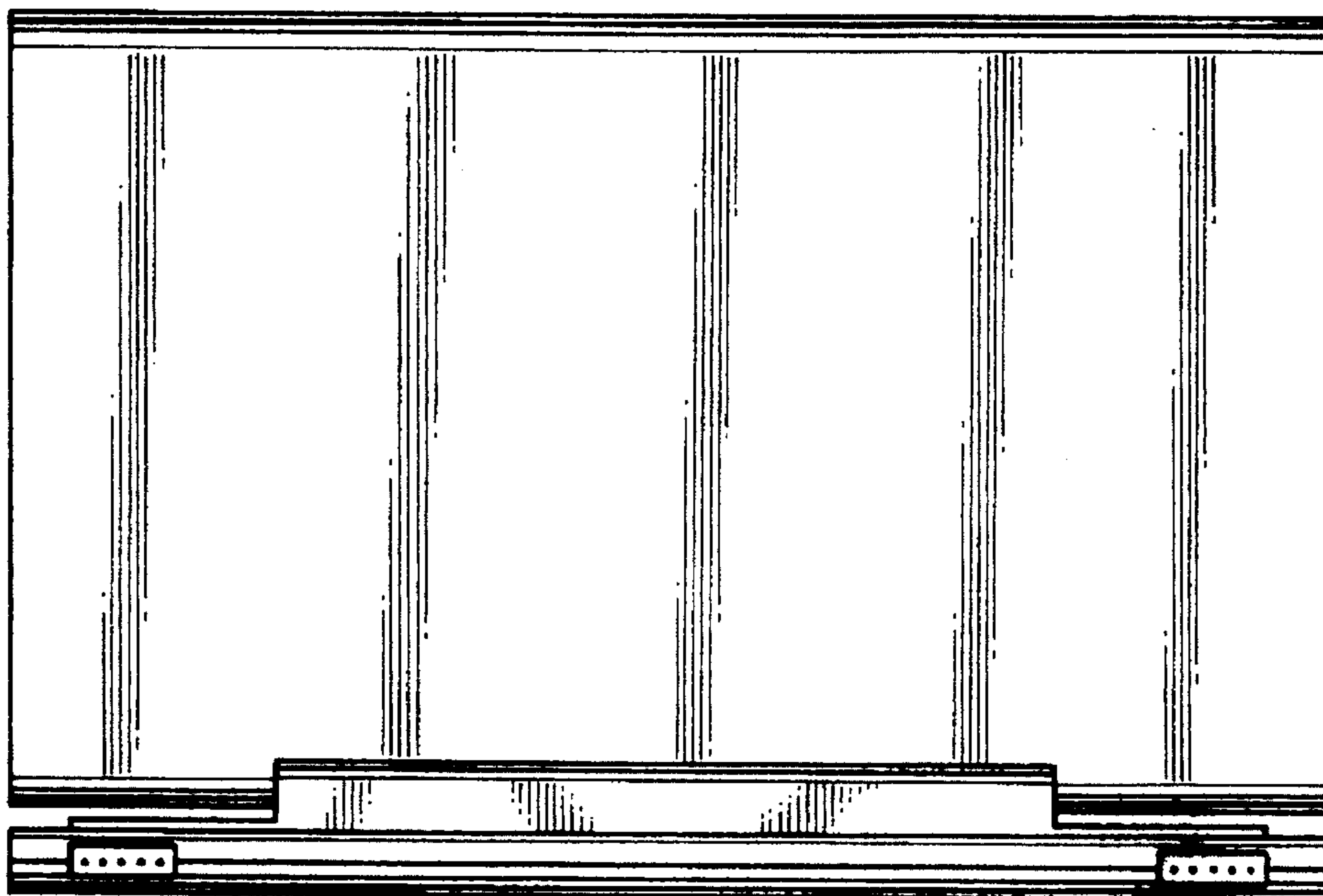


FIG. 7

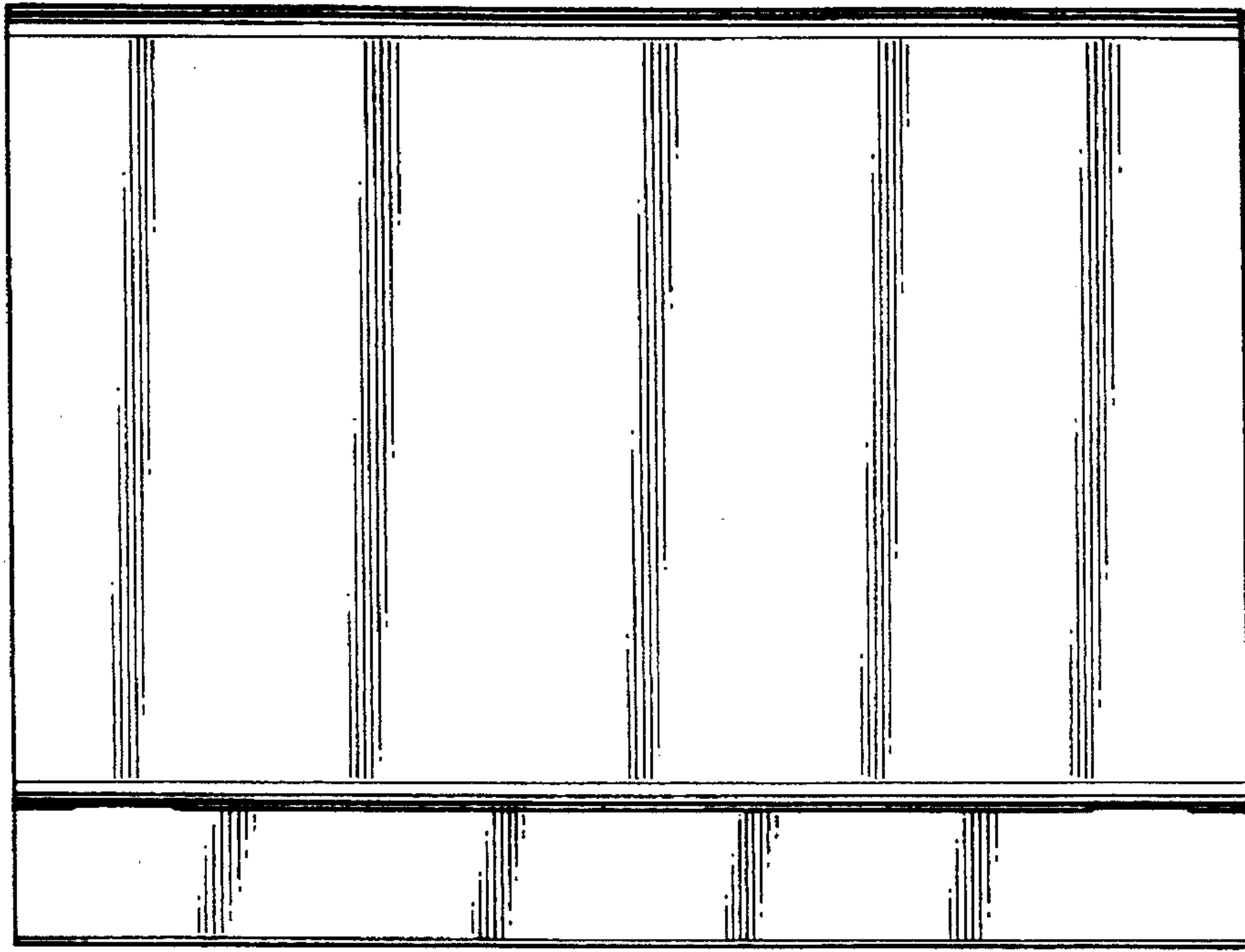


FIG. 8

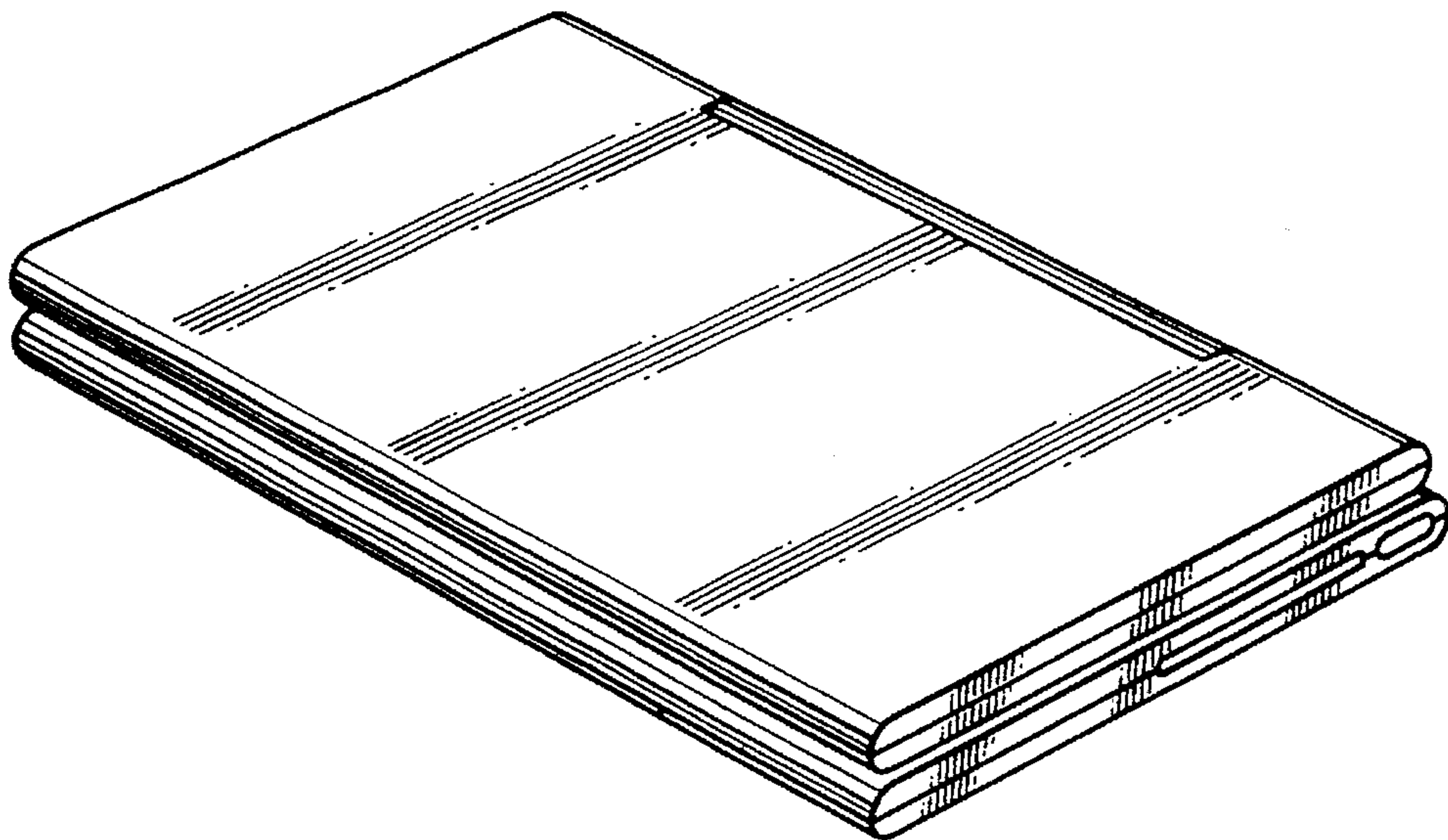




FIG. 9

