



US00D369145S

# United States Patent [19] Tsakanikas

[11] Patent Number: **Des. 369,145**  
[45] Date of Patent: **\*\*Apr. 23, 1996**

[54] **GUN-SHAPED COMPUTER**

[76] Inventor: **Peter J. Tsakanikas**, 3080 N. Course Dr., Bldg. 51, #108 Palm-Aire Country Club of Florida, Pompano Beach, Fla. 33069

[\*\*] Term: **14 Years**

[21] Appl. No.: **37,884**

[22] Filed: **Apr. 24, 1995**

[52] U.S. Cl. .... **D14/100; D21/48**

[58] Field of Search ..... **D14/100, 105, D14/106, 107, 115, 116; D18/2, 7; D21/48; 235/462, 472; 364/708.1**

[56] **References Cited**

**U.S. PATENT DOCUMENTS**

D. 317,950	7/1991	Tse .....	D21/48
D. 350,335	9/1994	Kumar et al. ....	D14/100
5,059,779	10/1991	Krichever et al. ....	235/472 X
5,280,159	1/1994	Schultz et al. ....	235/472 X
5,321,246	6/1994	Shepard et al. ....	235/462 X

**OTHER PUBLICATIONS**

IBM Technical Disclosure Bulletin vol. 5 No. 5 Oct. 1962  
Code Reading Mechanical Scanning Gun.

Primary Examiner—Freda Nunn  
Attorney, Agent, or Firm—Joseph J. Zito

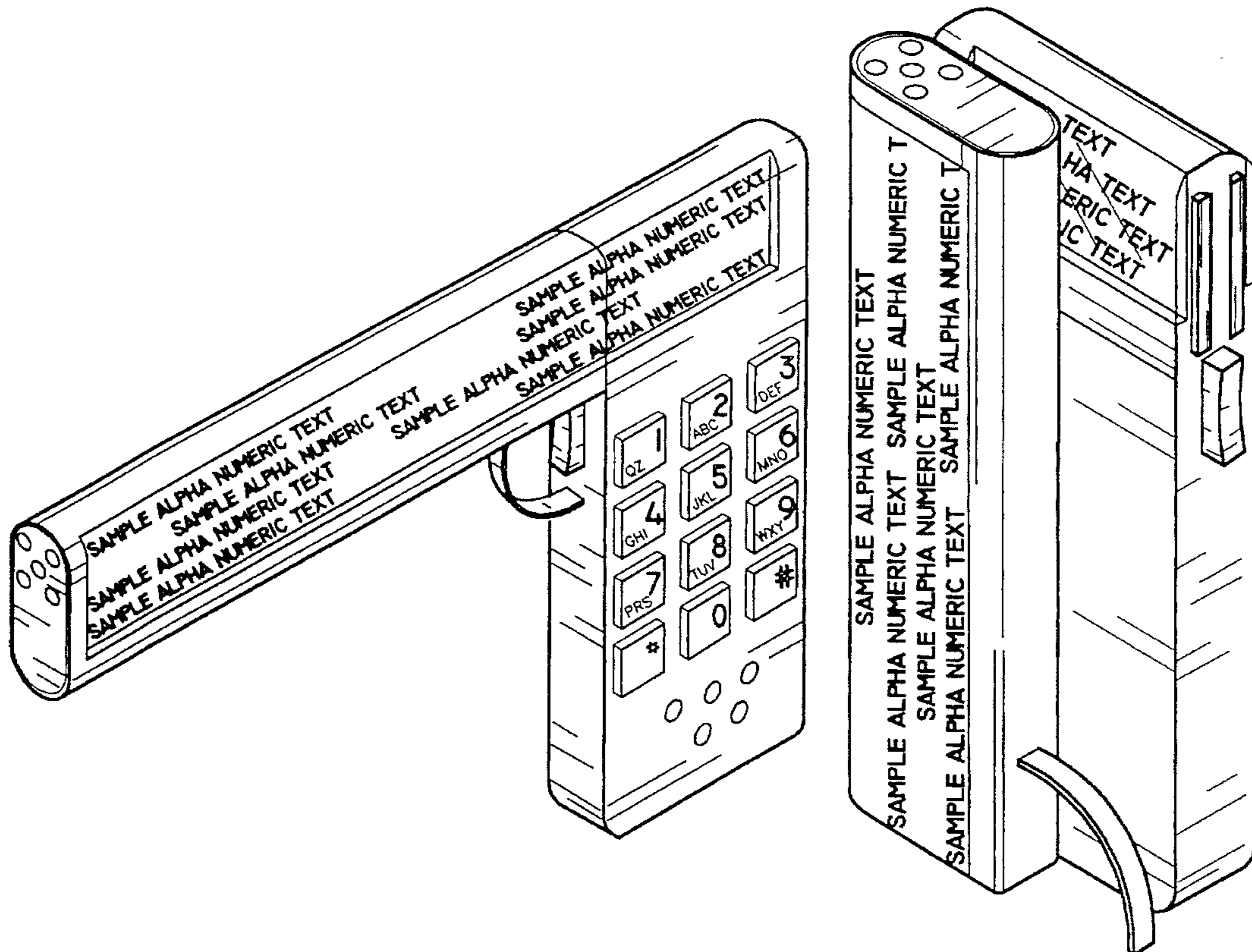
[57] **CLAIM**

The ornamental design for a gun-shaped computer, as shown and described.

**DESCRIPTION**

FIG. 1 is a right side perspective view of a gun-shaped computer in accordance with the present design with a gun barrel and trigger guard connected to a gun handle to form the gun shape;  
 FIG. 2 is a left side perspective view thereof;  
 FIG. 3 is a right side elevational view thereof;  
 FIG. 4 is a left side elevational view thereof;  
 FIG. 5 is a front end elevational view thereof;  
 FIG. 6 is a rear end elevational view thereof;  
 FIG. 7 is a top plan view thereof;  
 FIG. 8 is a bottom plan view thereof;  
 FIG. 9 is a right side perspective view of the gun handle shown separately for clarity of illustration only;  
 FIG. 10 is a left side perspective view of the gun handle;  
 FIG. 11 is a left side perspective view of the gun barrel and trigger guard shown separately for clarity of illustration only;  
 FIG. 12 is a right side perspective view of the gun barrel and trigger guard;  
 FIG. 13 is a right side perspective view of the gun barrel and trigger guard connected to the gun handle without forming the gun shape; and,  
 FIG. 14 is a left side perspective view of the gun barrel and trigger guard connected to the gun handle without forming the gun shape.

1 Claim, 4 Drawing Sheets



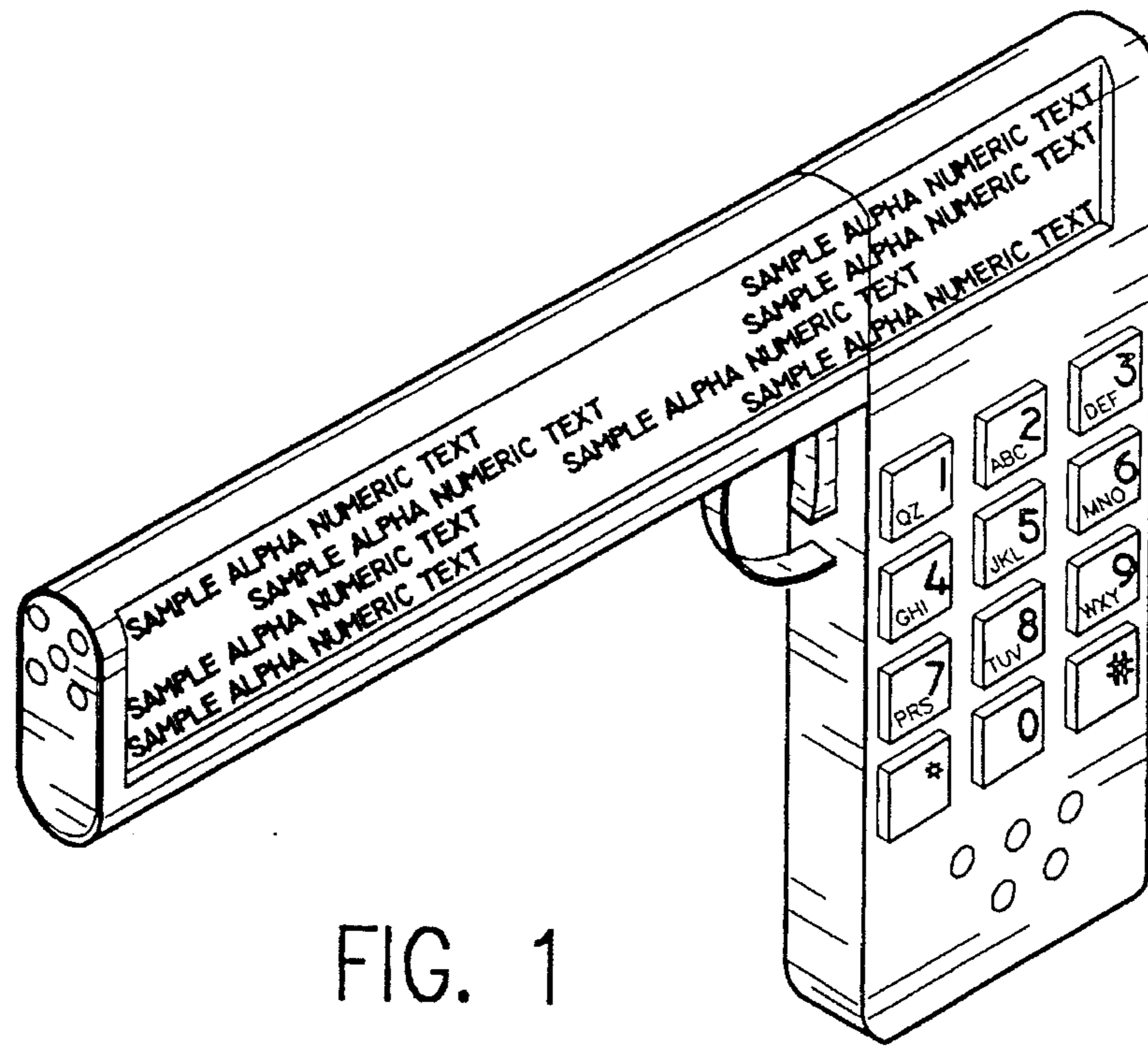


FIG. 1

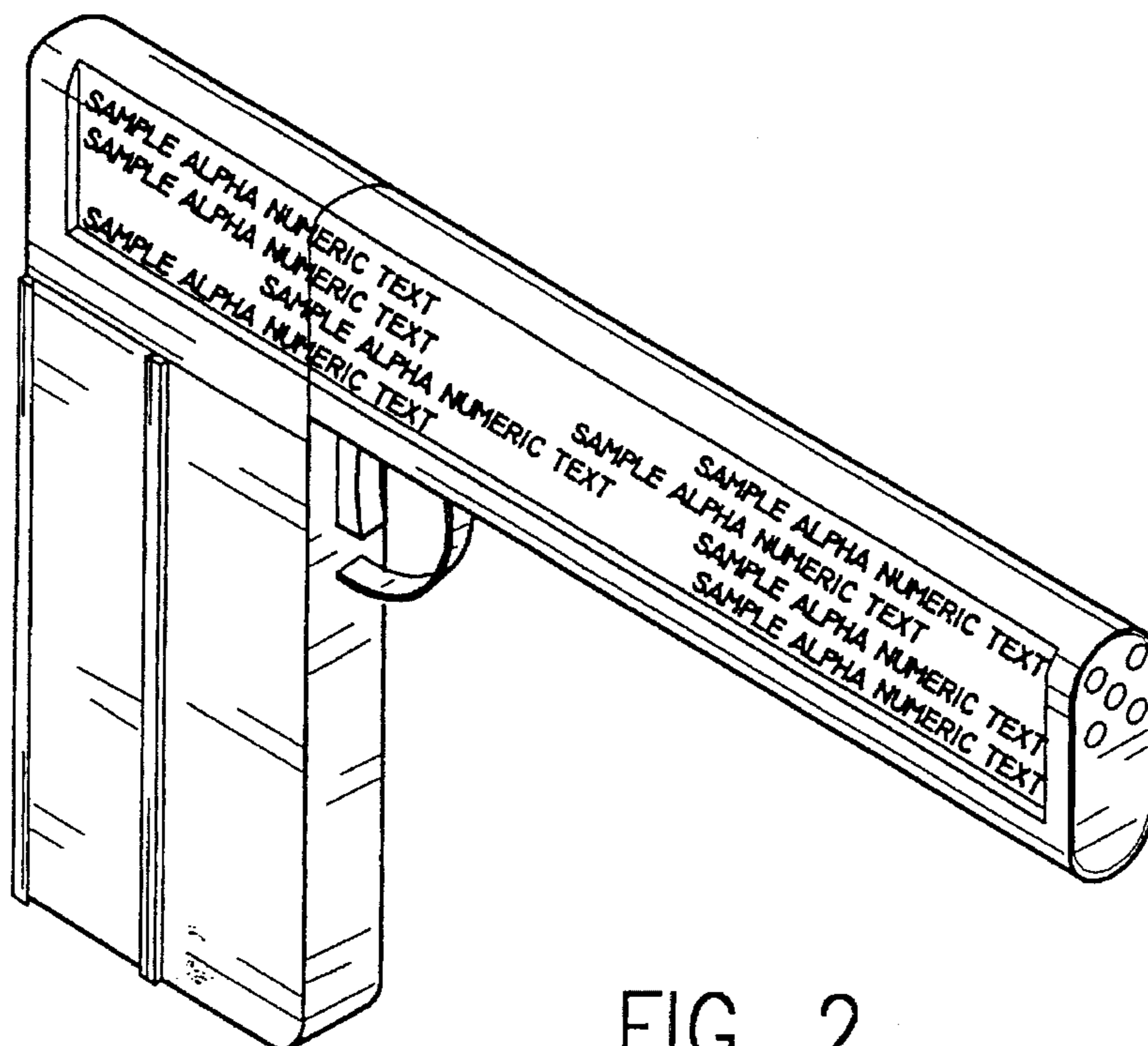


FIG. 2

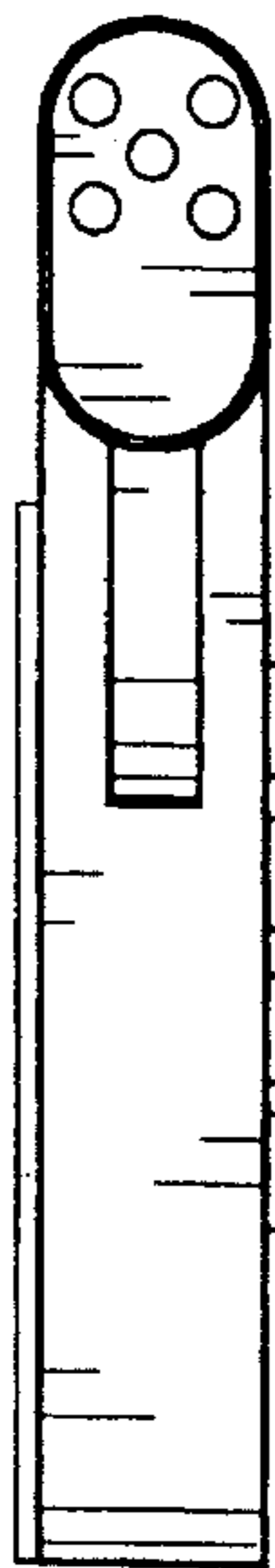


FIG. 5

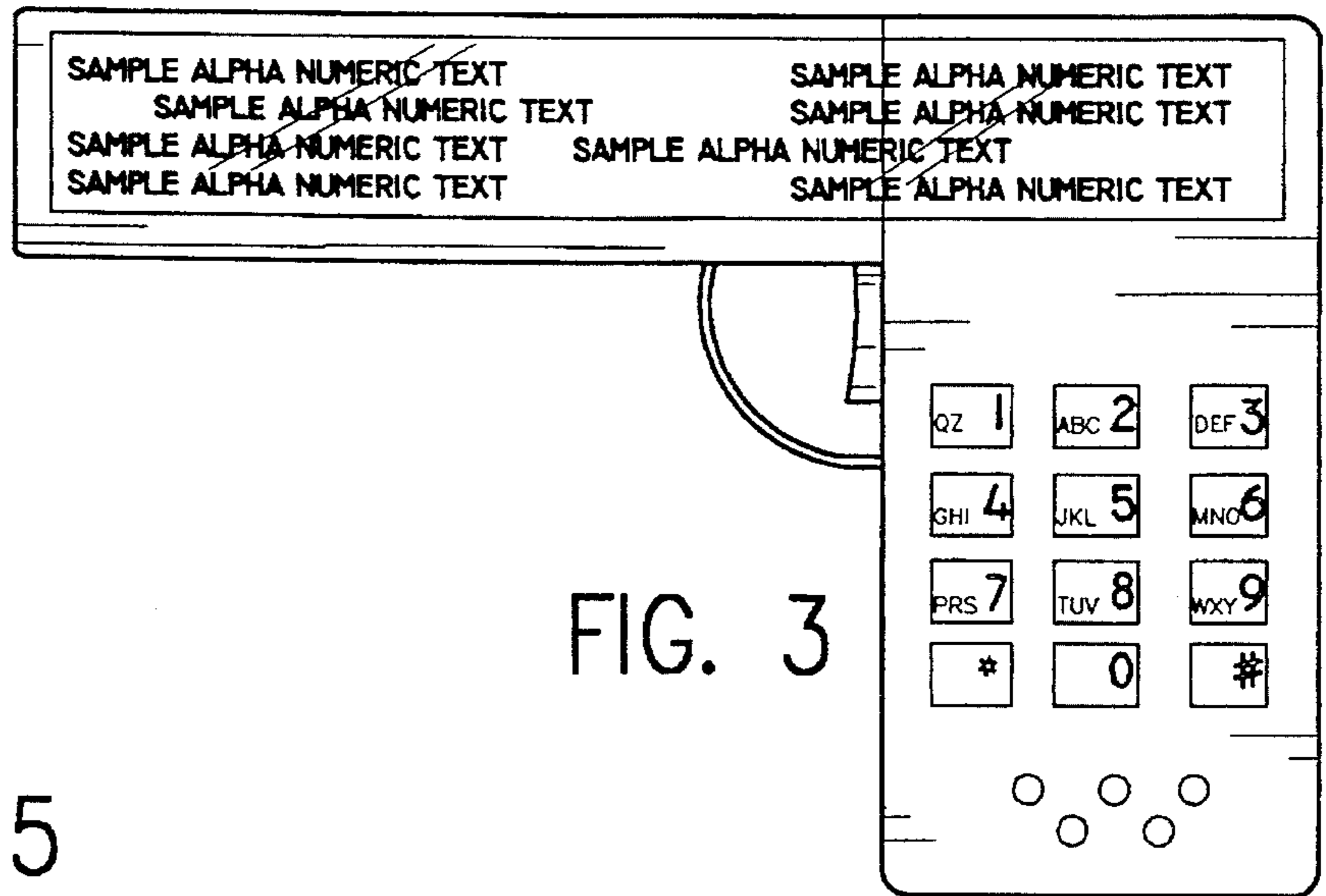


FIG. 3

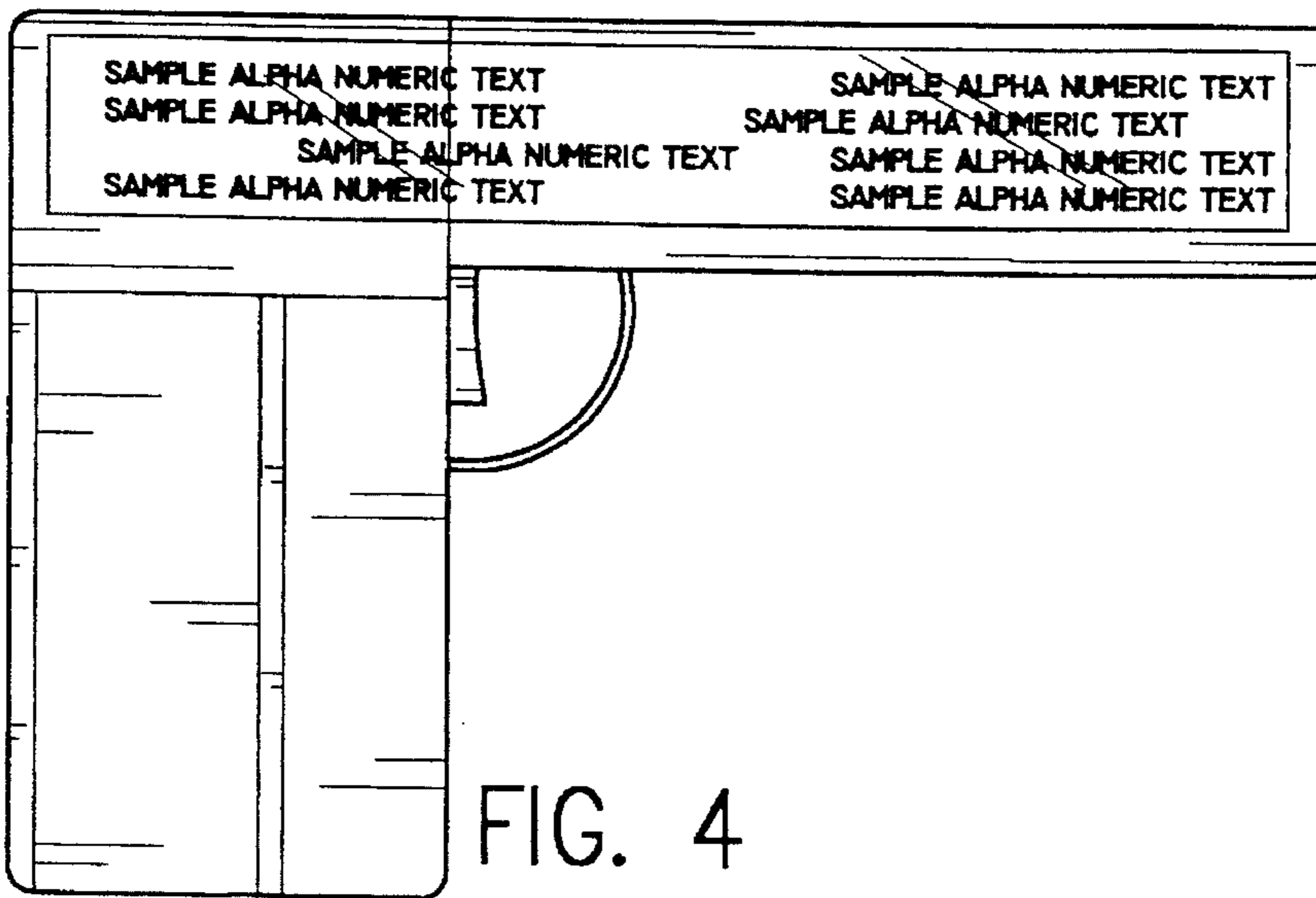


FIG. 4

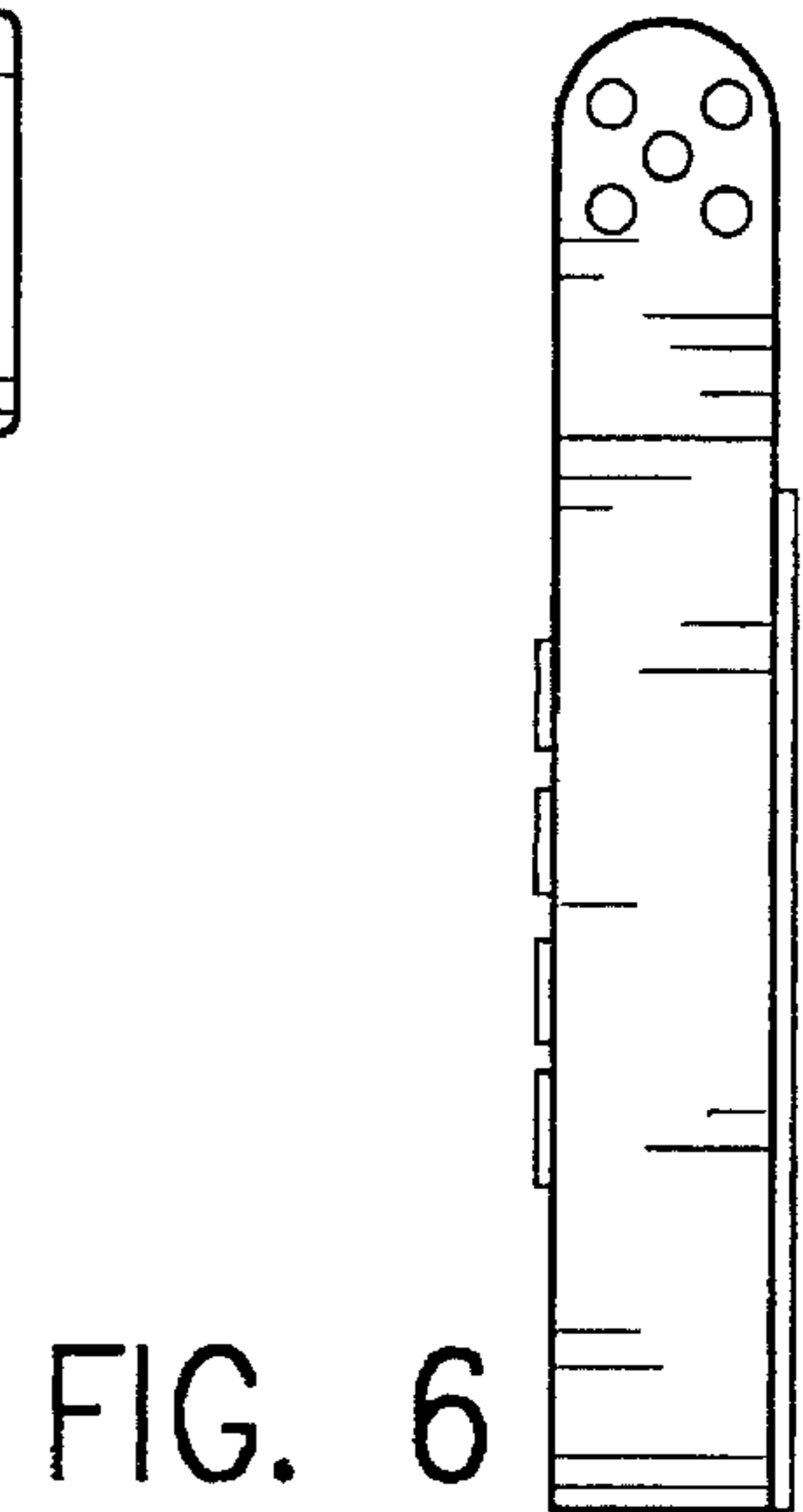


FIG. 6

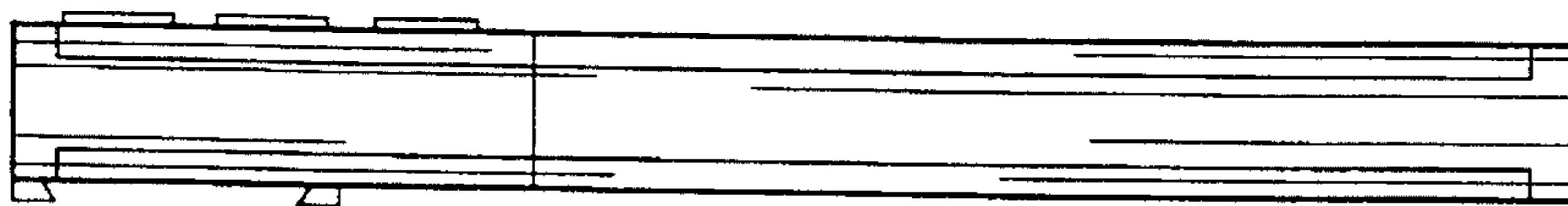


FIG. 7

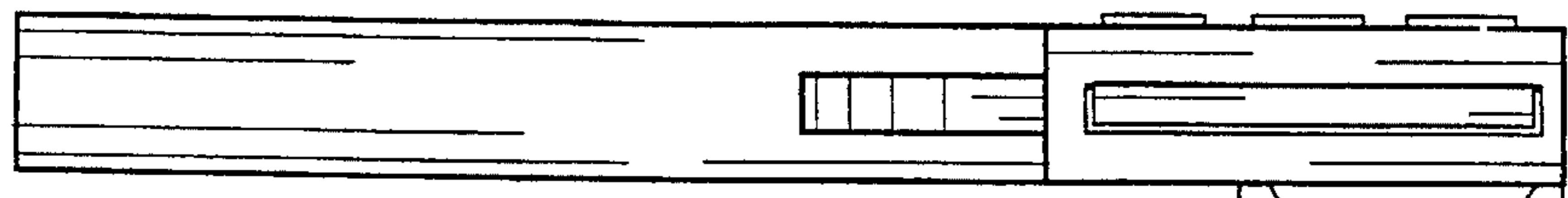


FIG. 8

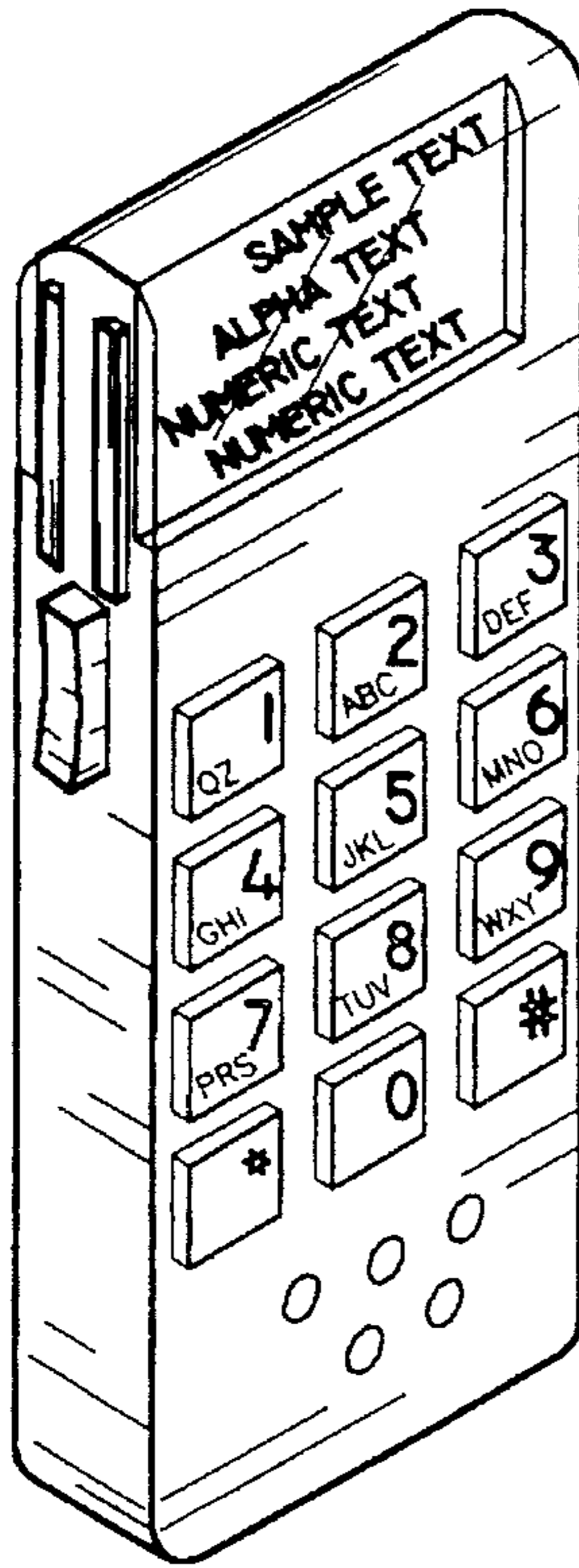


FIG. 9

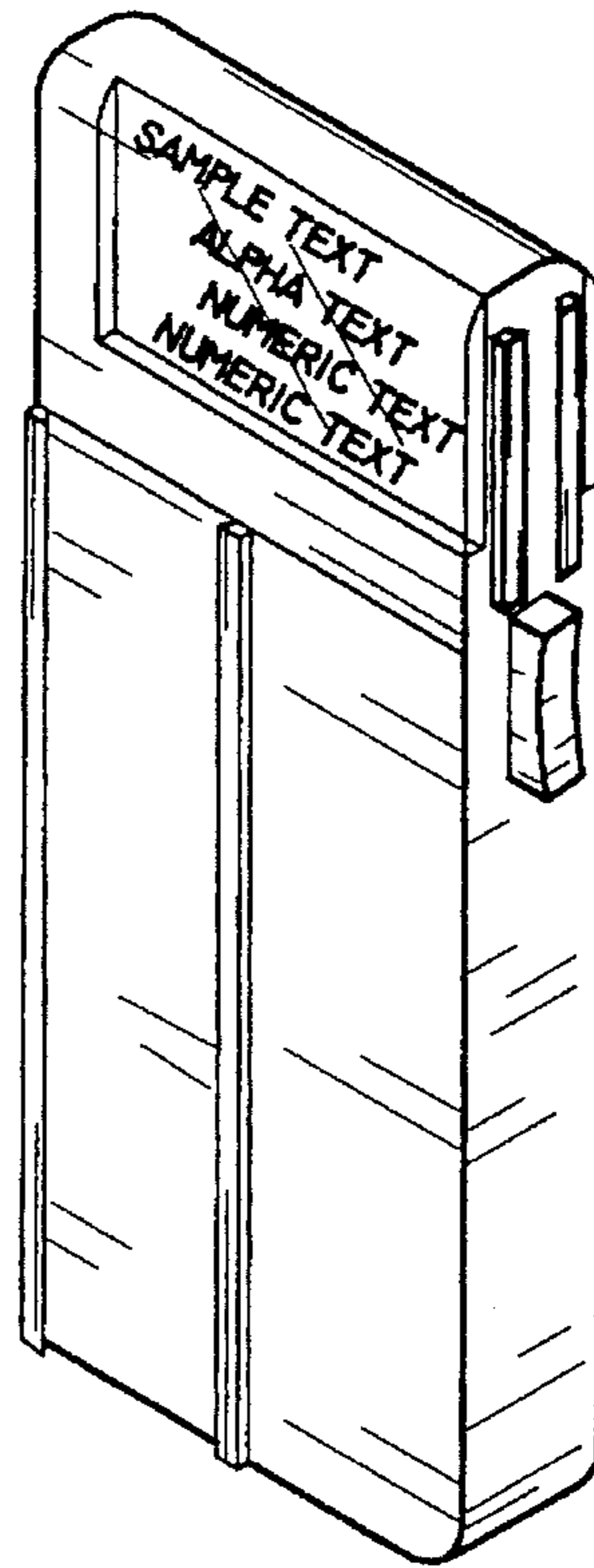


FIG. 10

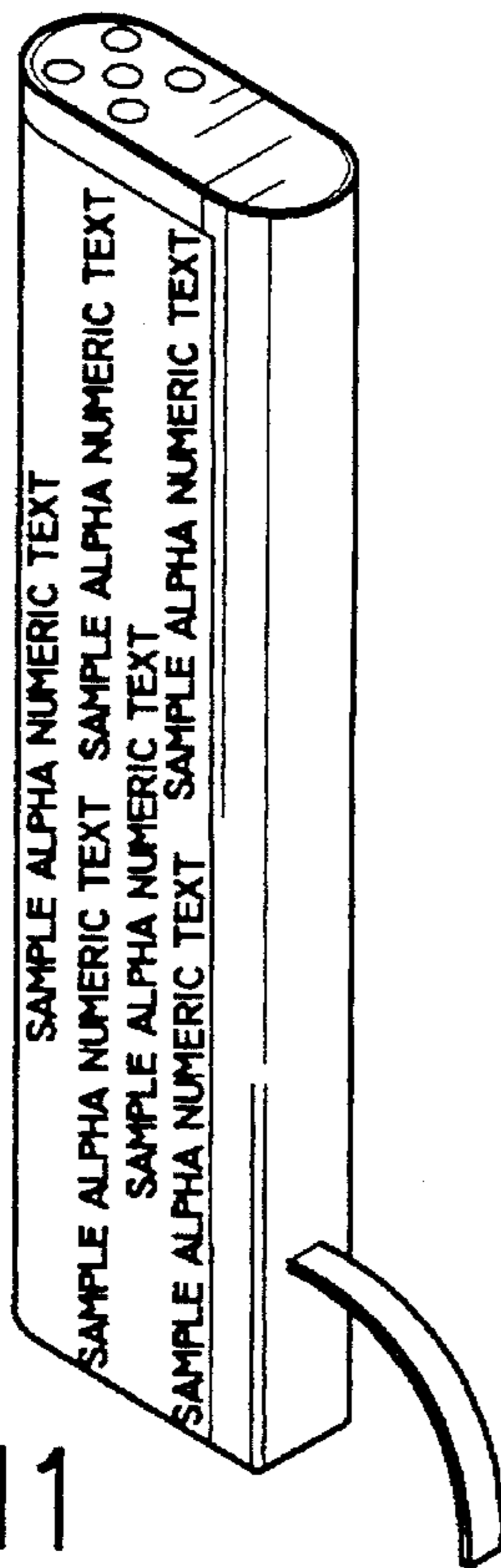


FIG. 11

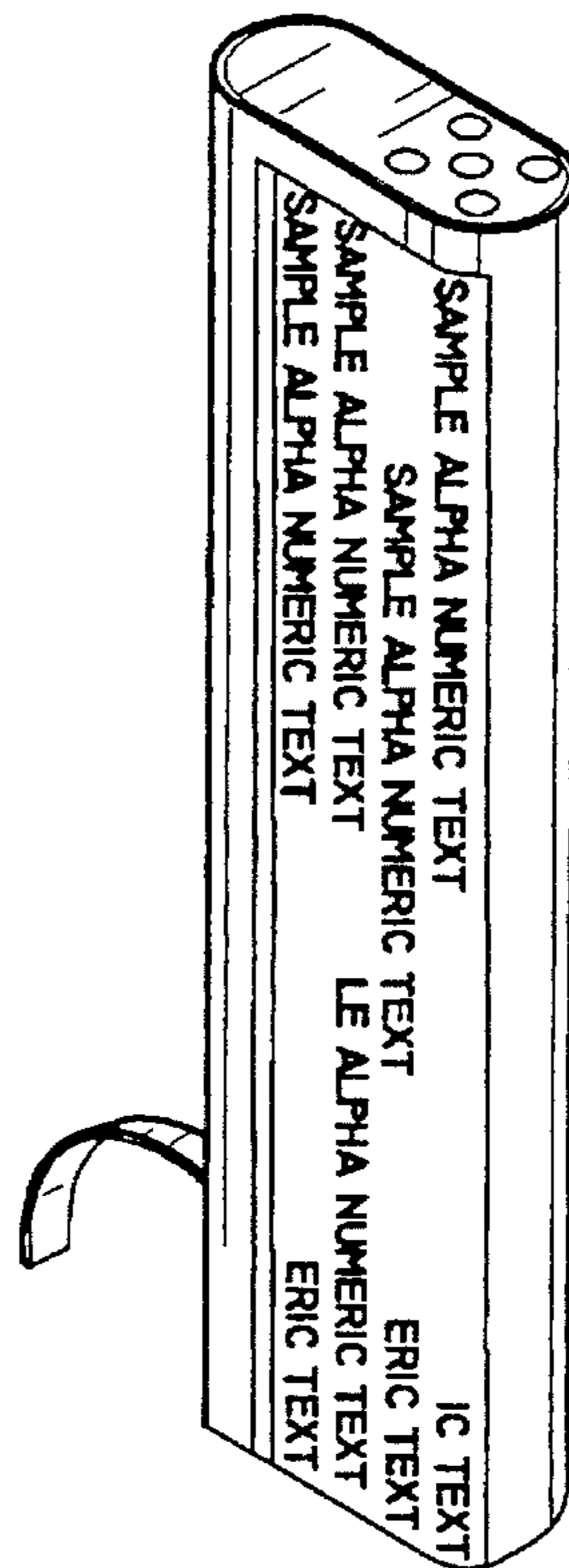


FIG. 12

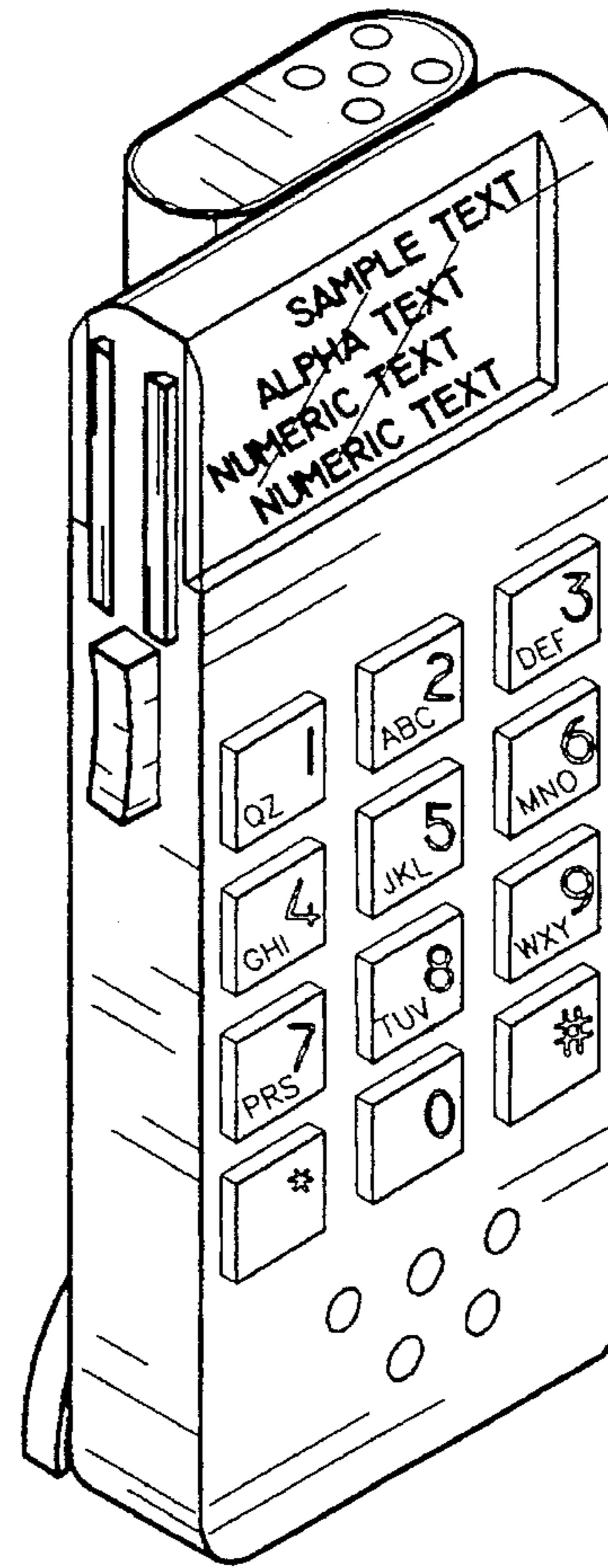


FIG. 13

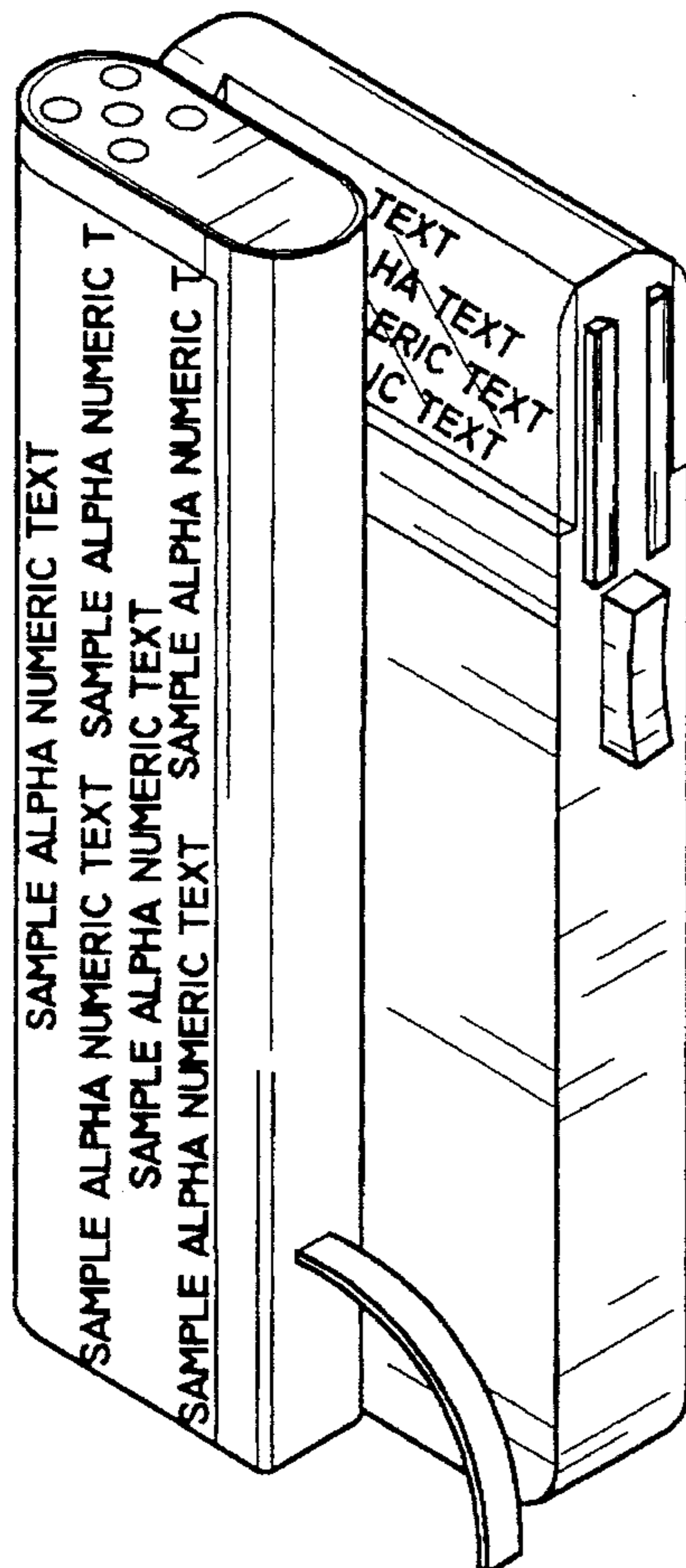


FIG. 14