



US00D369143S

United States Patent [19]

Sorenson

[11] Patent Number: **Des. 369,143**

[45] Date of Patent: ****Apr. 23, 1996**

[54] **ROCKER SWITCH BEZEL AND ACTUATOR**

[75] Inventor: **Richard W. Sorenson**, Stuart, Fla.

[73] Assignee: **Carlingswitch, Inc.**, Plainville, Conn.

[**] Term: **14 Years**

[21] Appl. No.: **24,056**

[22] Filed: **Jun. 7, 1994**

[52] U.S. Cl. **D13/169**

[58] Field of Search D13/169; 200/339,
200/315, 295, 296

[56] **References Cited**

U.S. PATENT DOCUMENTS

4,669,804	6/1987	Munroe	D13/169	X
4,837,411	6/1989	Best	200/5	A
4,947,010	8/1990	Heydner et al.	200/296	
4,967,046	10/1990	Priesemuth	200/339	
4,978,823	12/1990	Sato et al.	200/339	X

FOREIGN PATENT DOCUMENTS

3022483 12/1981 Germany 200/295

Primary Examiner—Joel Sincavage

Attorney, Agent, or Firm—McCormick, Paulding & Huber

[57] **CLAIM**

The ornamental design for a rocker switch bezel and actuator, as shown and described.

DESCRIPTION

FIG. 1 is a side elevational view of a rocker switch bezel and actuator showing my new design;

FIG. 2 is an end elevational view thereof;

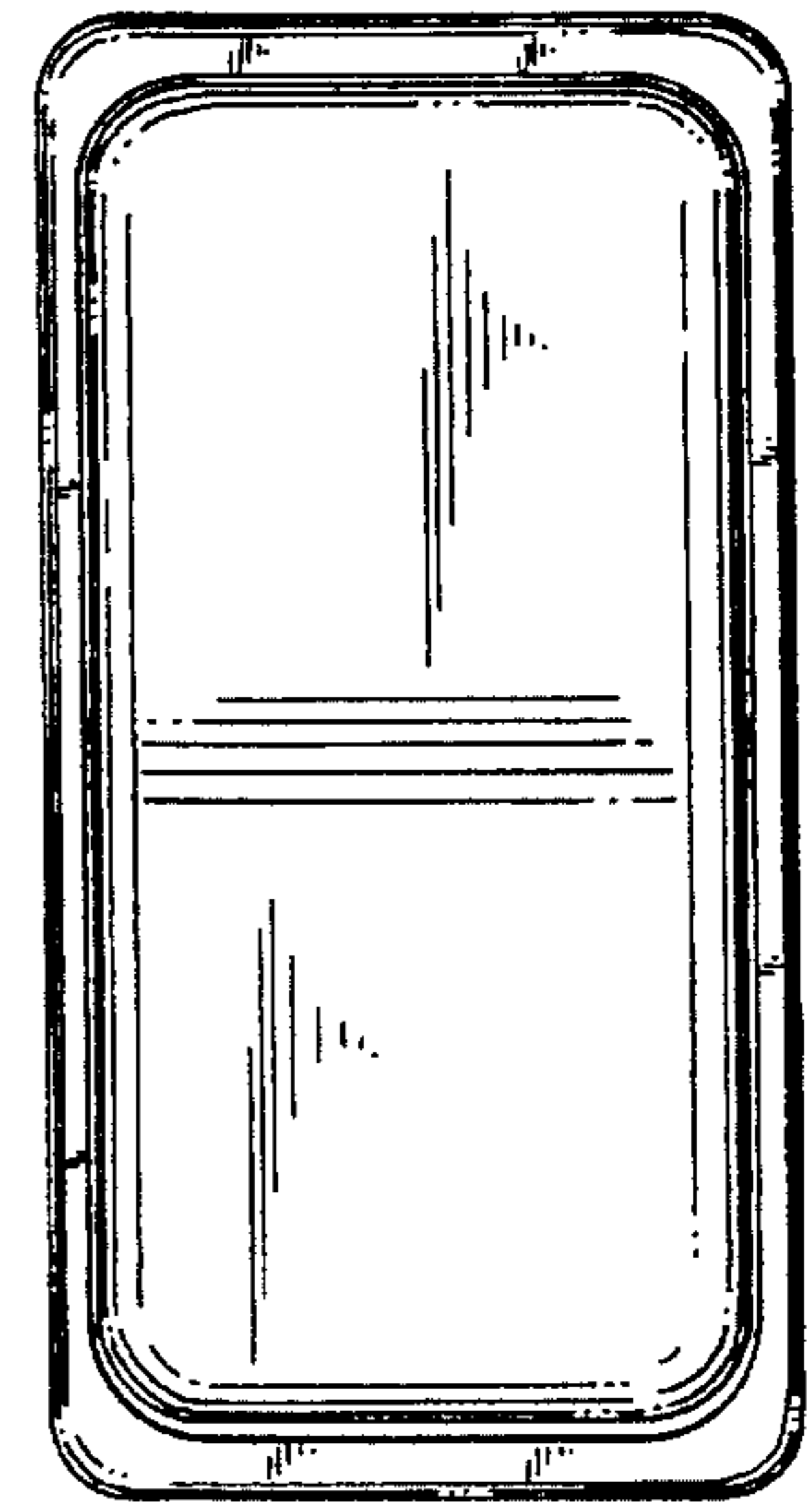
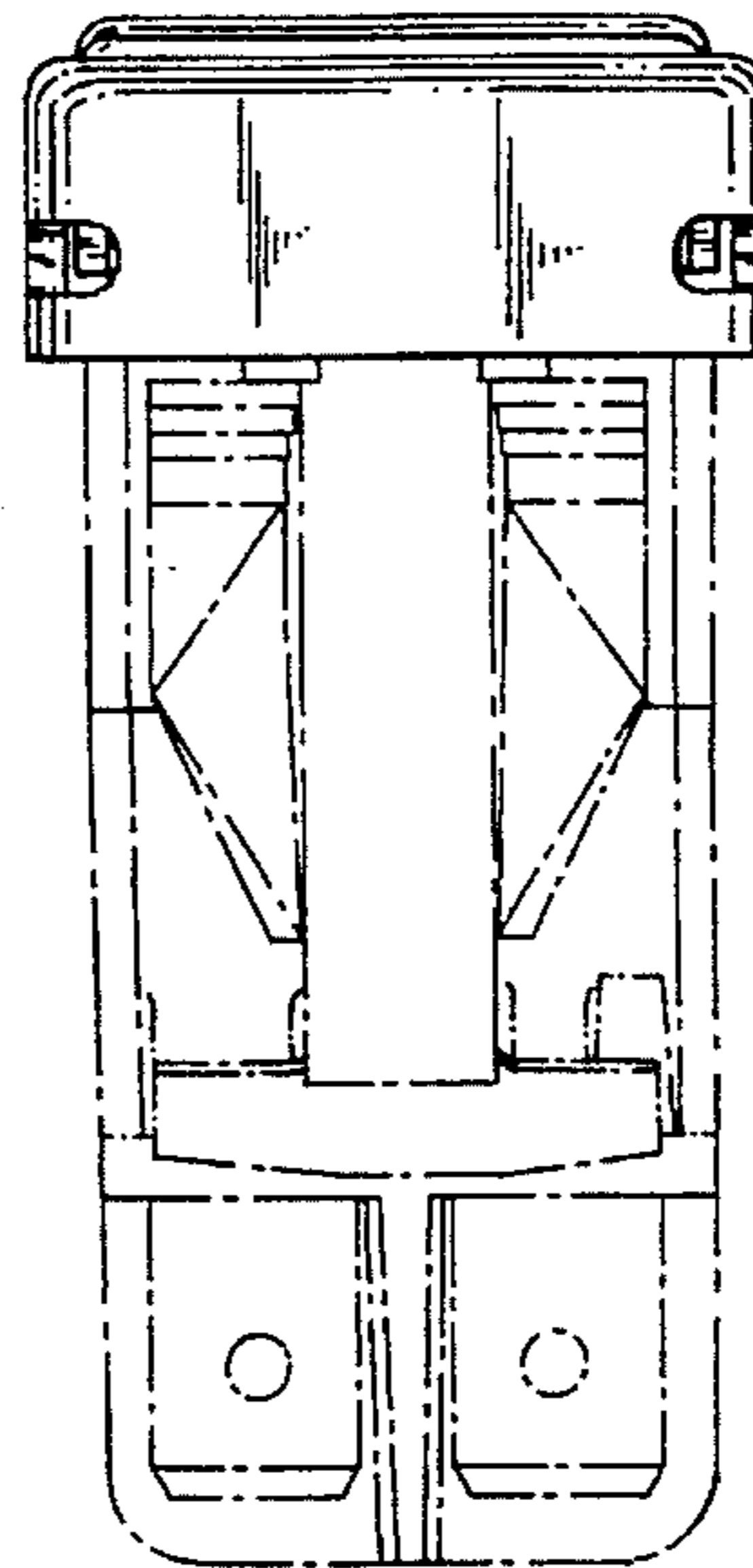
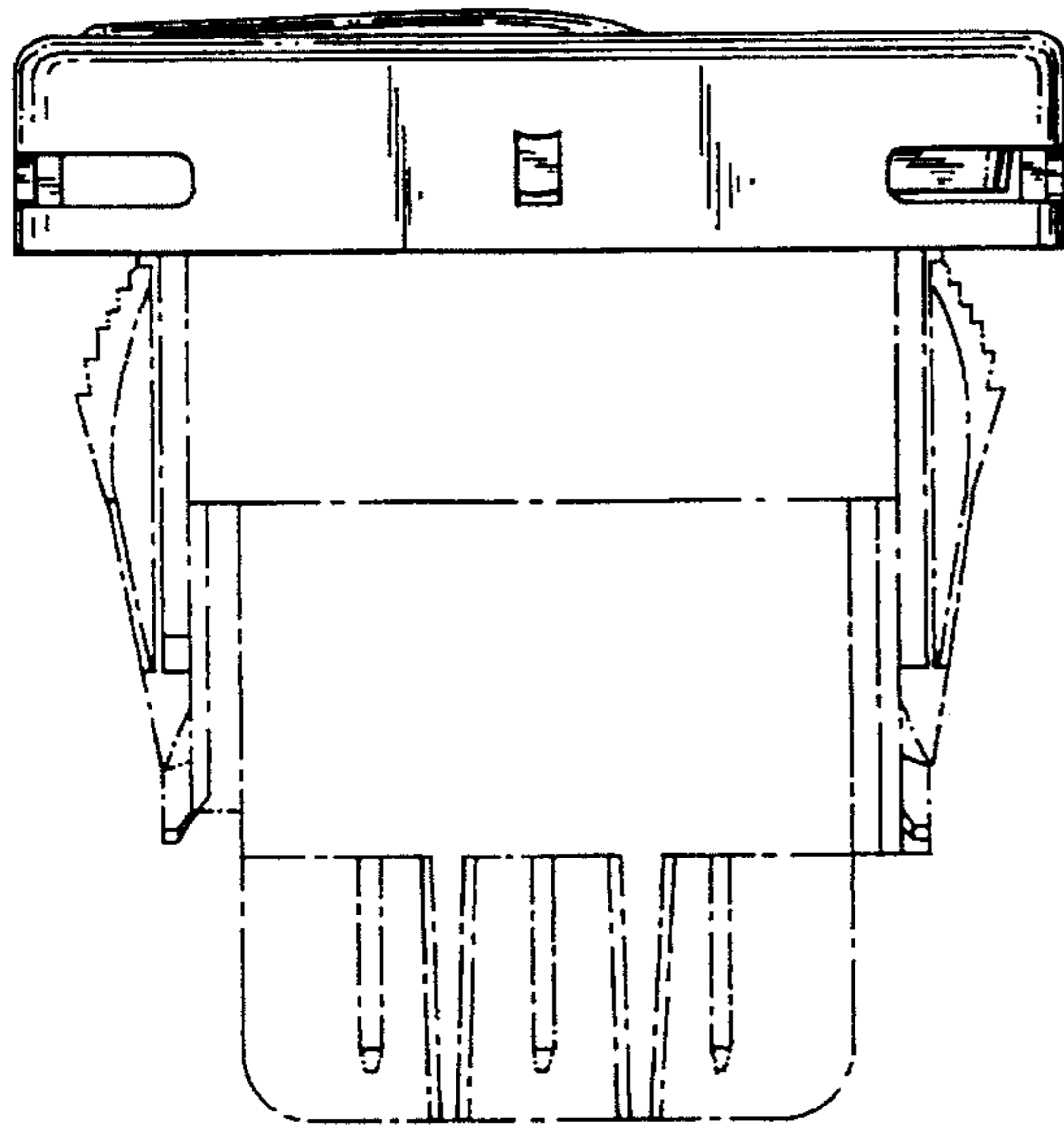
FIG. 3 is an opposite end elevational view thereof;

FIG. 4 is a top plan view thereof; and,

FIG. 5 is a bottom plan view thereof.

The broken line disclosure of the switch base and latching apparatus as shown FIGS. 1-3 and 5 is for illustrative purposes only and forms no part of the claimed design.

1 Claim, 2 Drawing Sheets



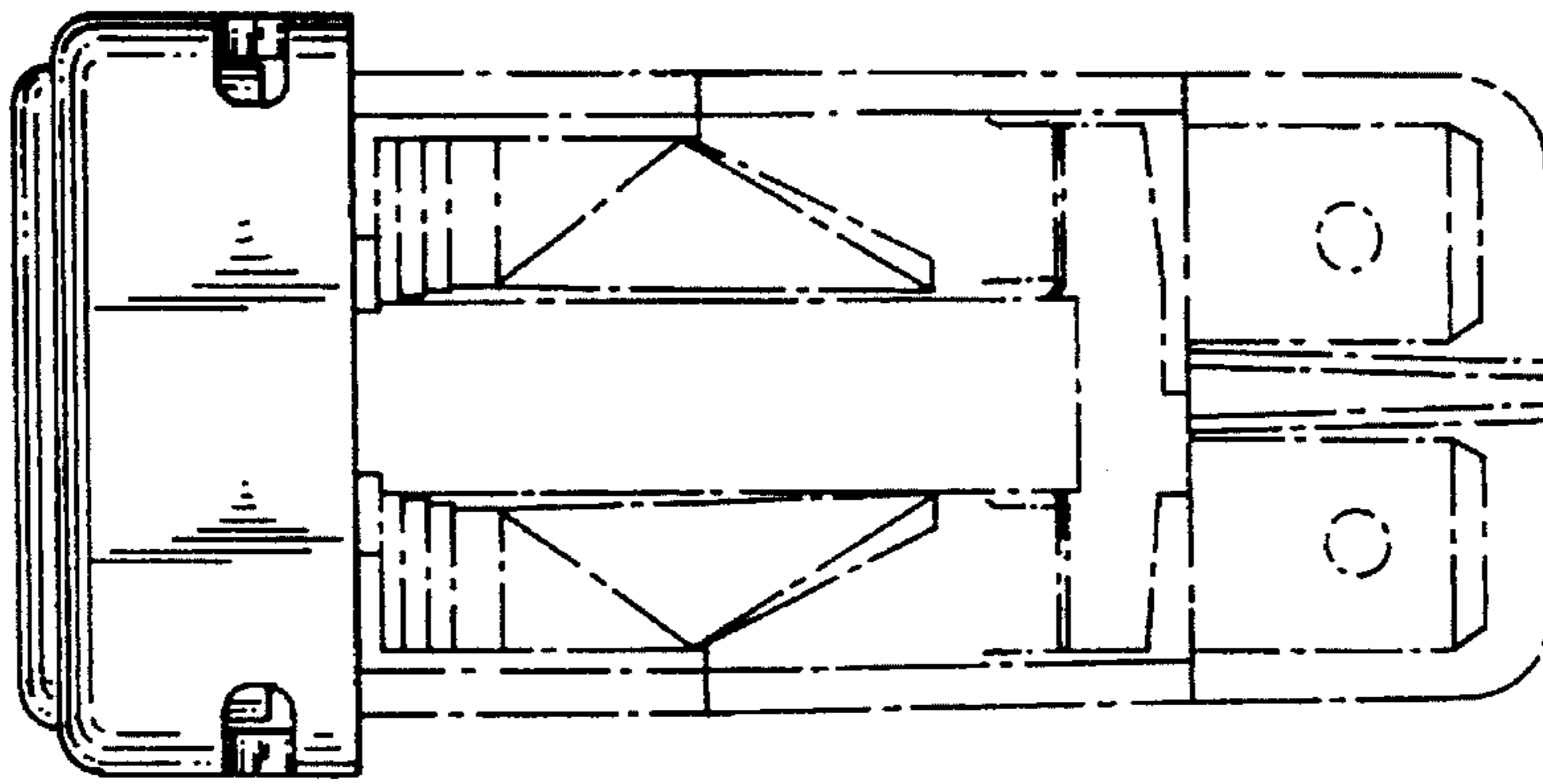


FIG. 3

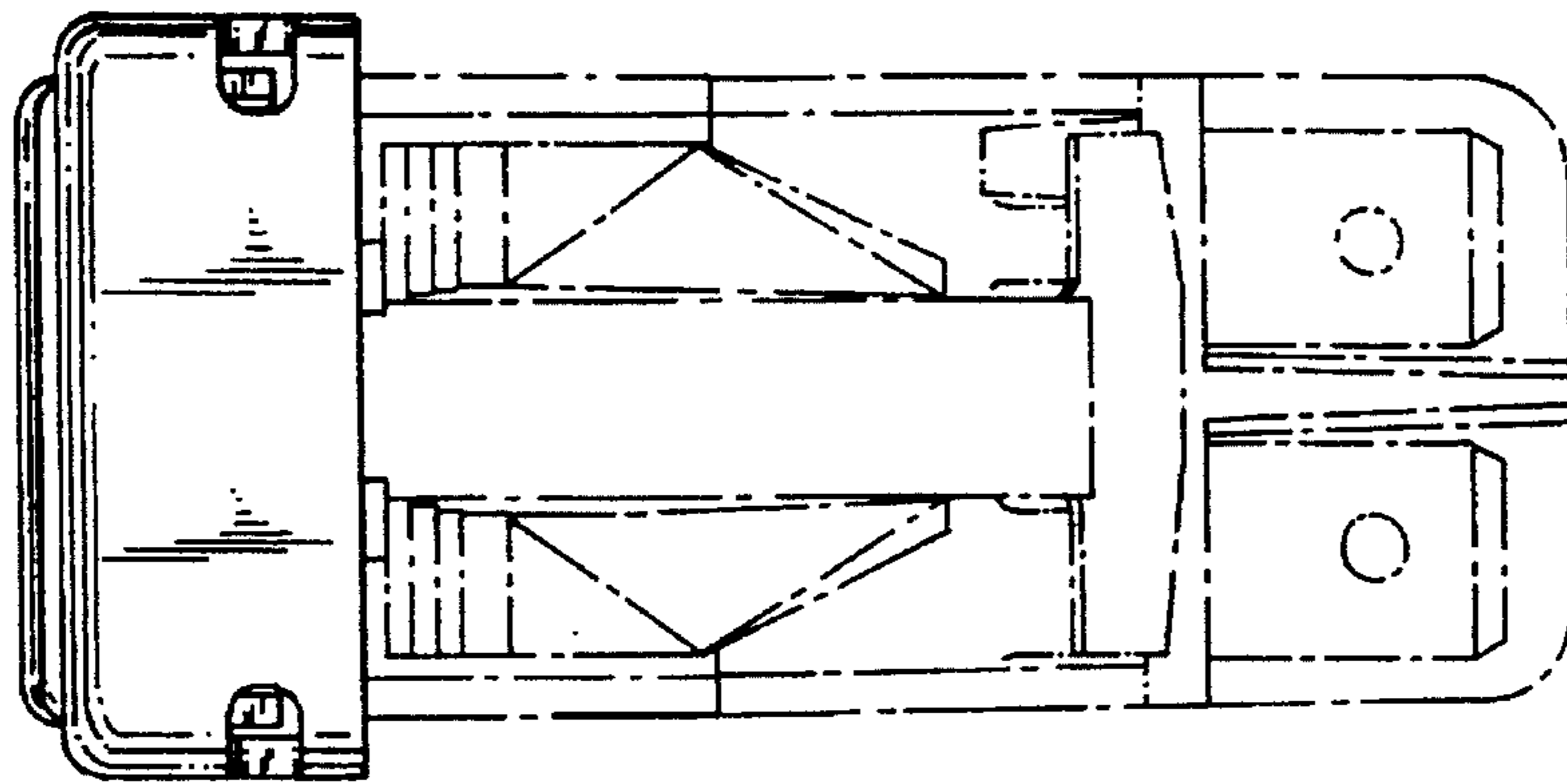


FIG. 2

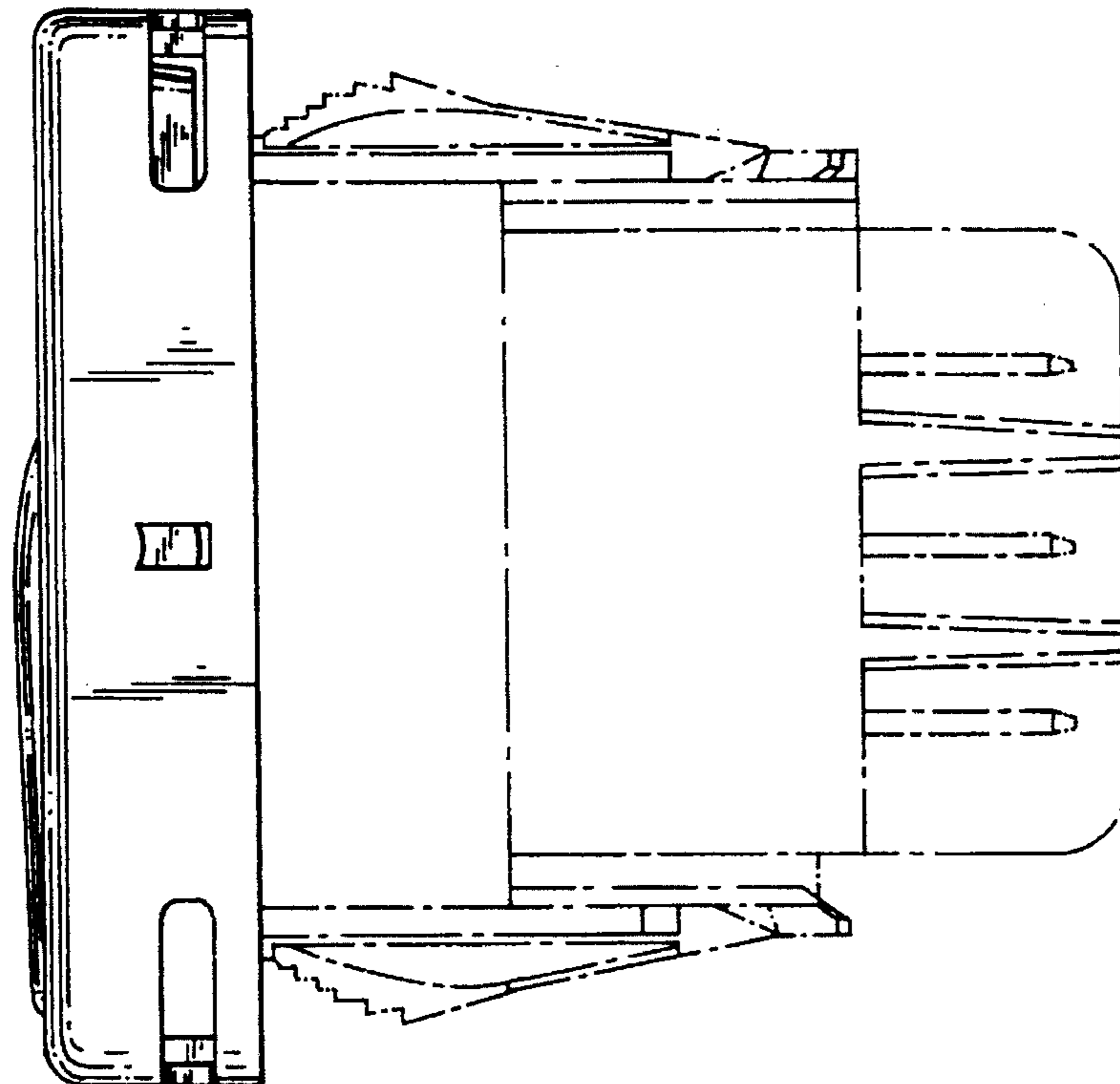


FIG. 1

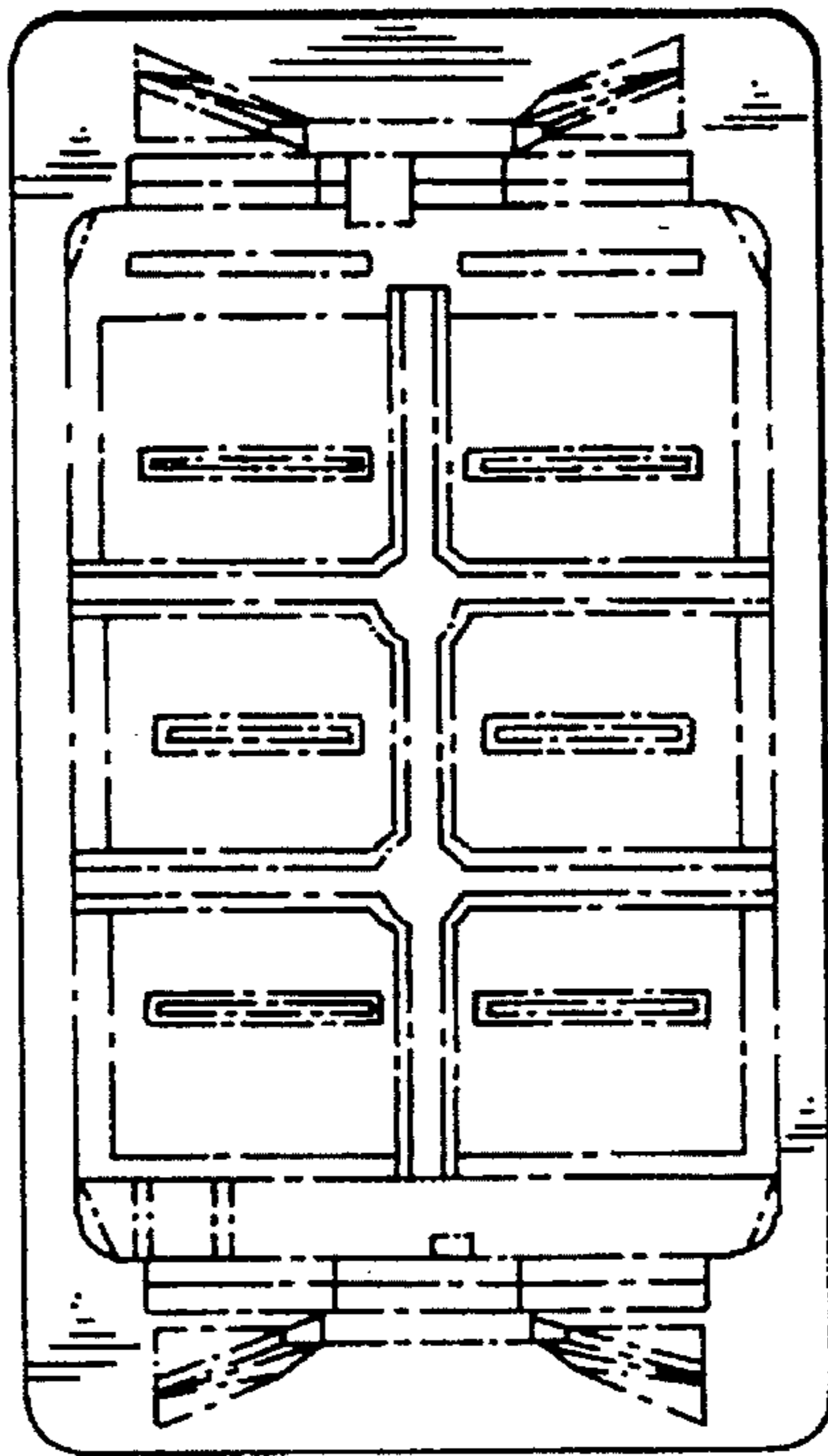


FIG. 5

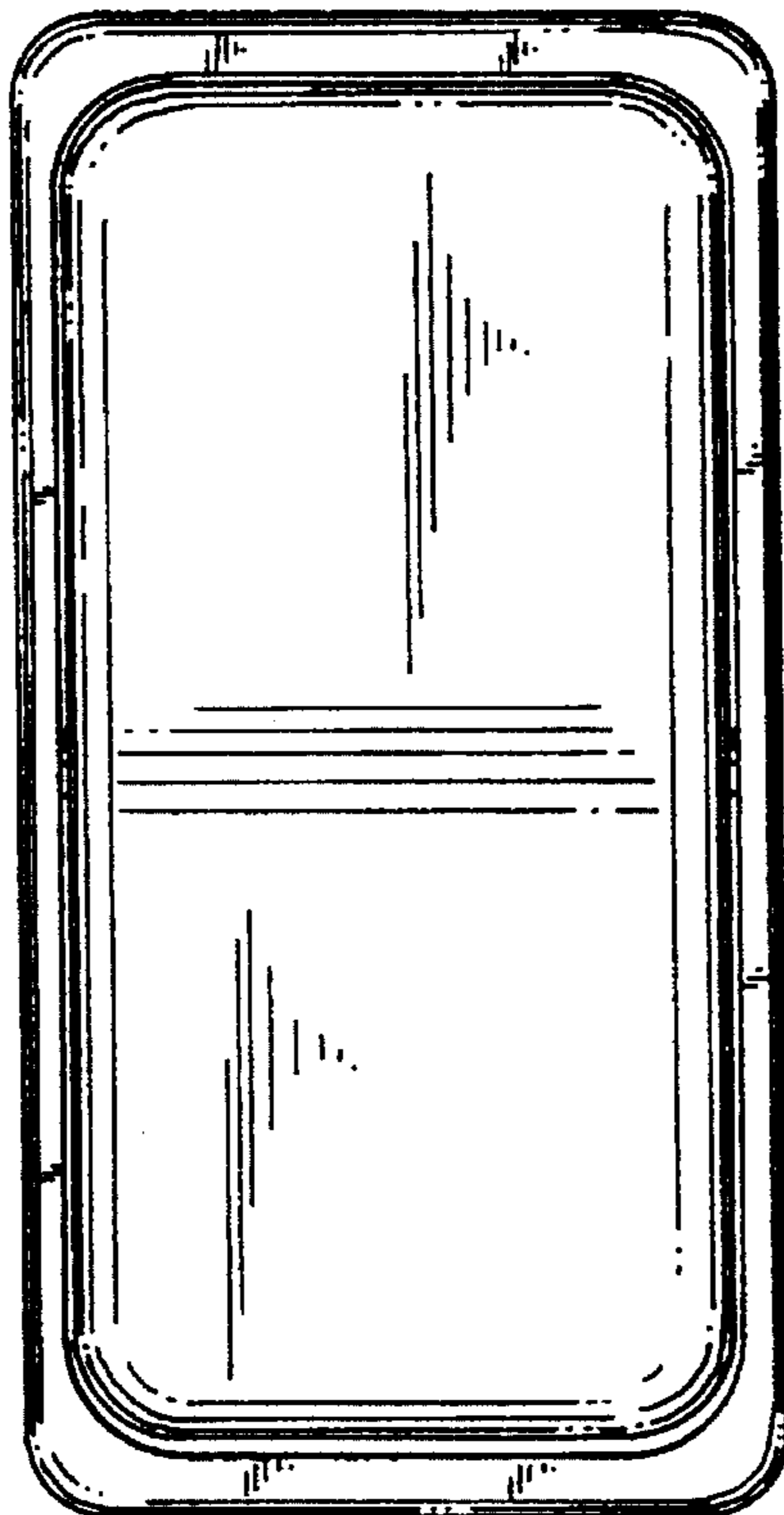


FIG. 4