



US00D369139S

United States Patent [19]

[11] **Patent Number: Des. 369,139**

Joder

[45] **Date of Patent: **Apr. 23, 1996**

[54] **BICYCLE RACK**

Assistant Examiner—M. N. Brown
Attorney, Agent, or Firm—Feix & Feix

[76] **Inventor: Brian K. Joder**, 120 Ore St., Folsom, Calif. 95630

[57] **CLAIM**

[**] **Term: 14 Years**

The ornamental design for a bicycle rack, as shown and described.

[21] **Appl. No.: 30,953**

DESCRIPTION

[22] **Filed: Nov. 14, 1994**

[52] **U.S. Cl. D12/408**

[58] **Field of Search D12/408; D6/552; 211/13, 17, 12; 224/493; 280/204**

FIG. 1 is a front perspective view of the bicycle rack of the present invention;

FIG. 2 is a right side elevational view thereof;

FIG. 3 is a front elevational view thereof;

FIG. 4 is a top plan view thereof;

FIG. 5 is a rear elevational view thereof;

FIG. 6 is a left side elevational view thereof; and,

FIG. 7 is a bottom plan view thereof.

The broken lines showing the trailer hitch and rear motor vehicle bumper in FIG. 1 are for illustrative purposes only and form no part of the claimed design.

[56] **References Cited**

U.S. PATENT DOCUMENTS

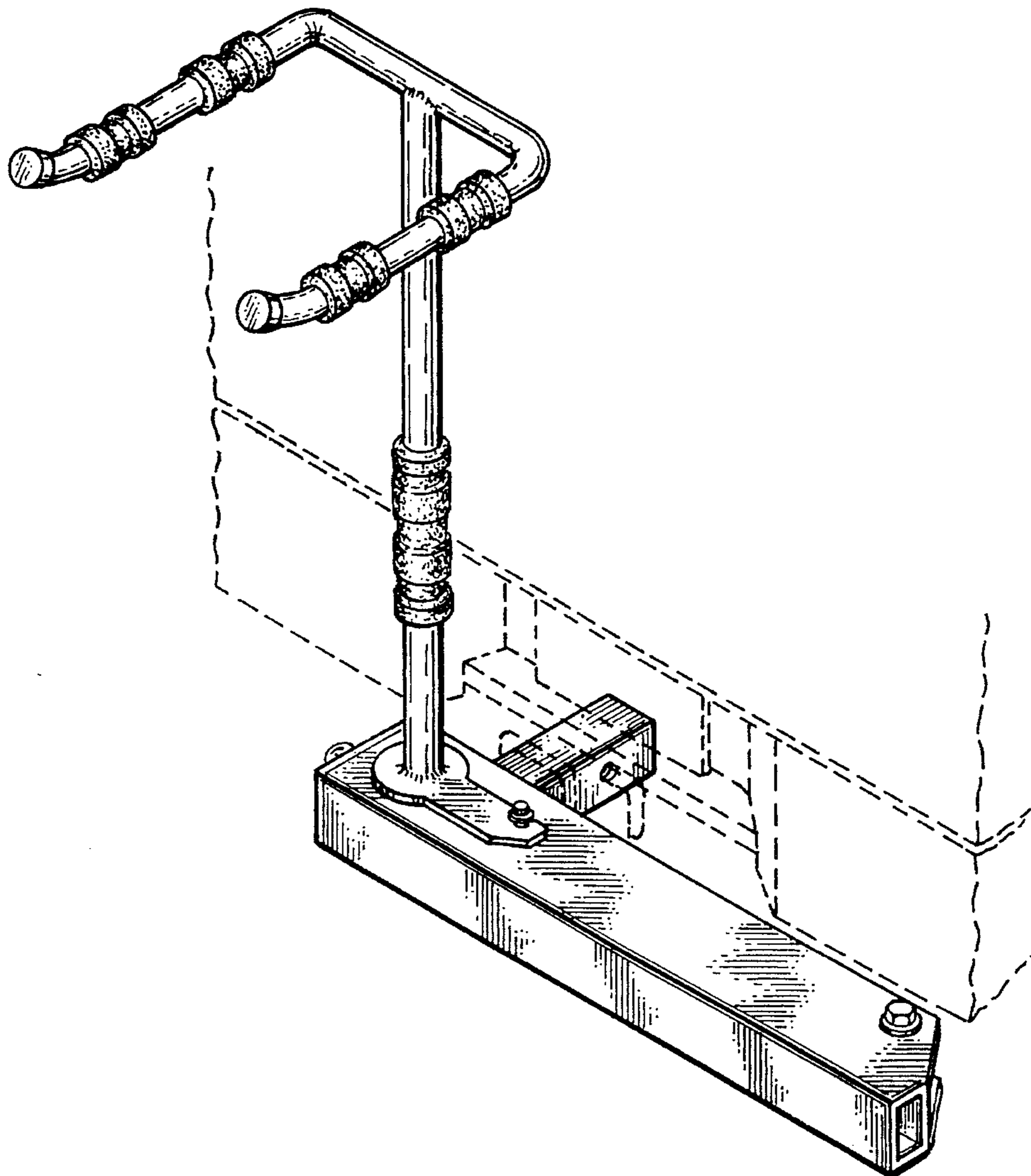
5,005,847 4/1991 King et al. 280/204
5,377,849 1/1995 Martin D6/552

FOREIGN PATENT DOCUMENTS

2275453 8/1994 United Kingdom 224/493

Primary Examiner—A. Hugo Word

1 Claim, 2 Drawing Sheets



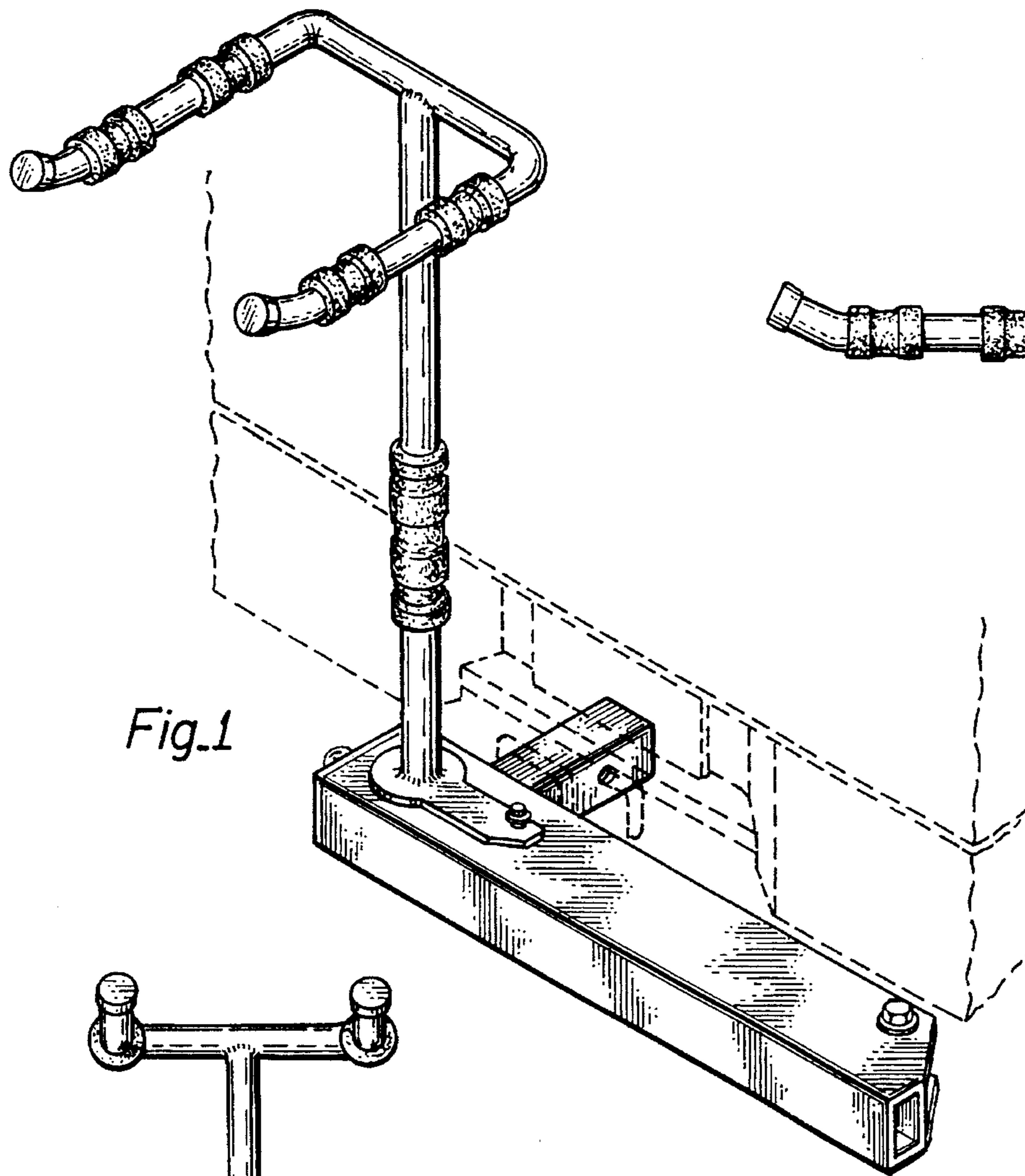


Fig.1

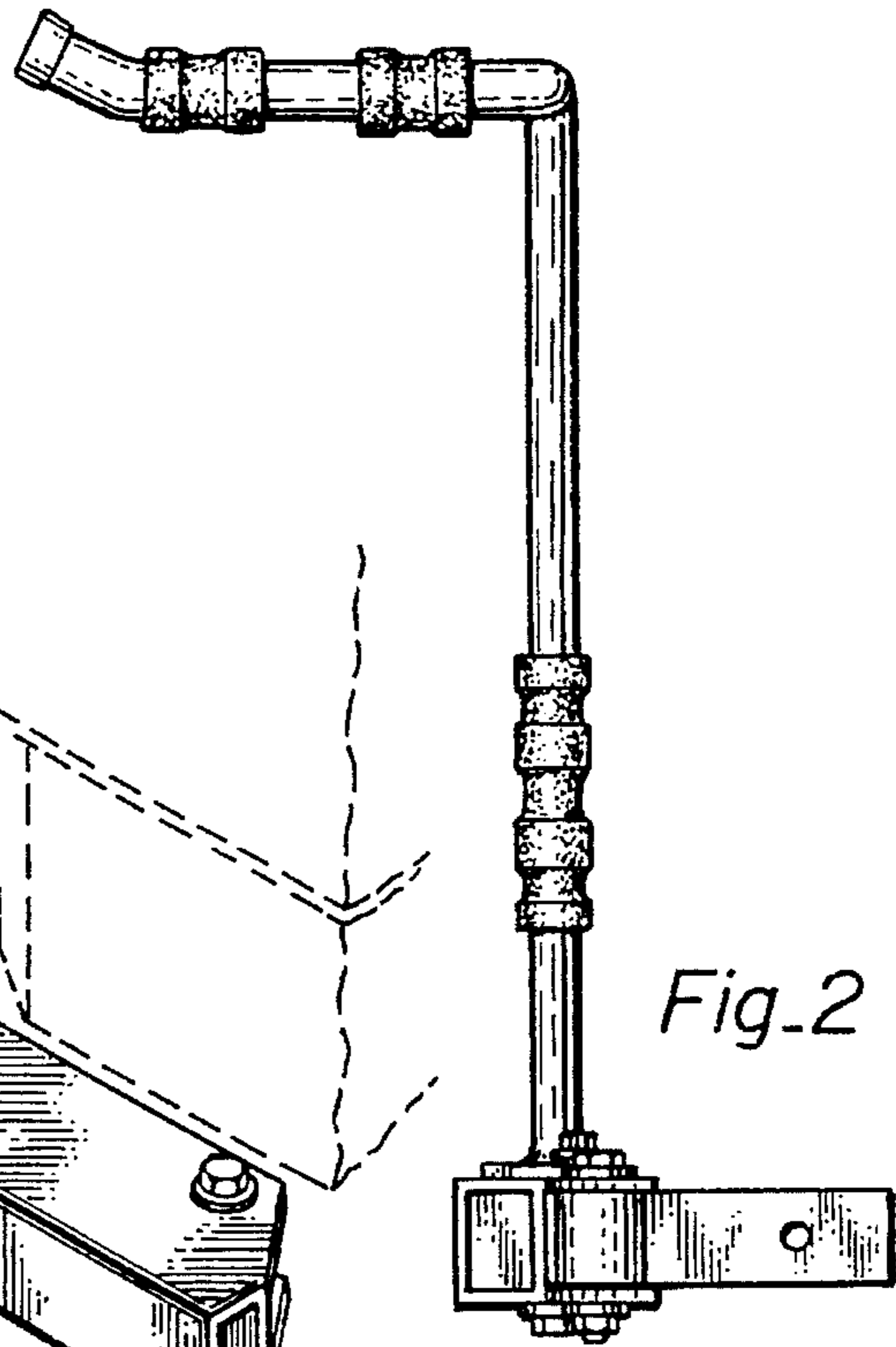


Fig.2

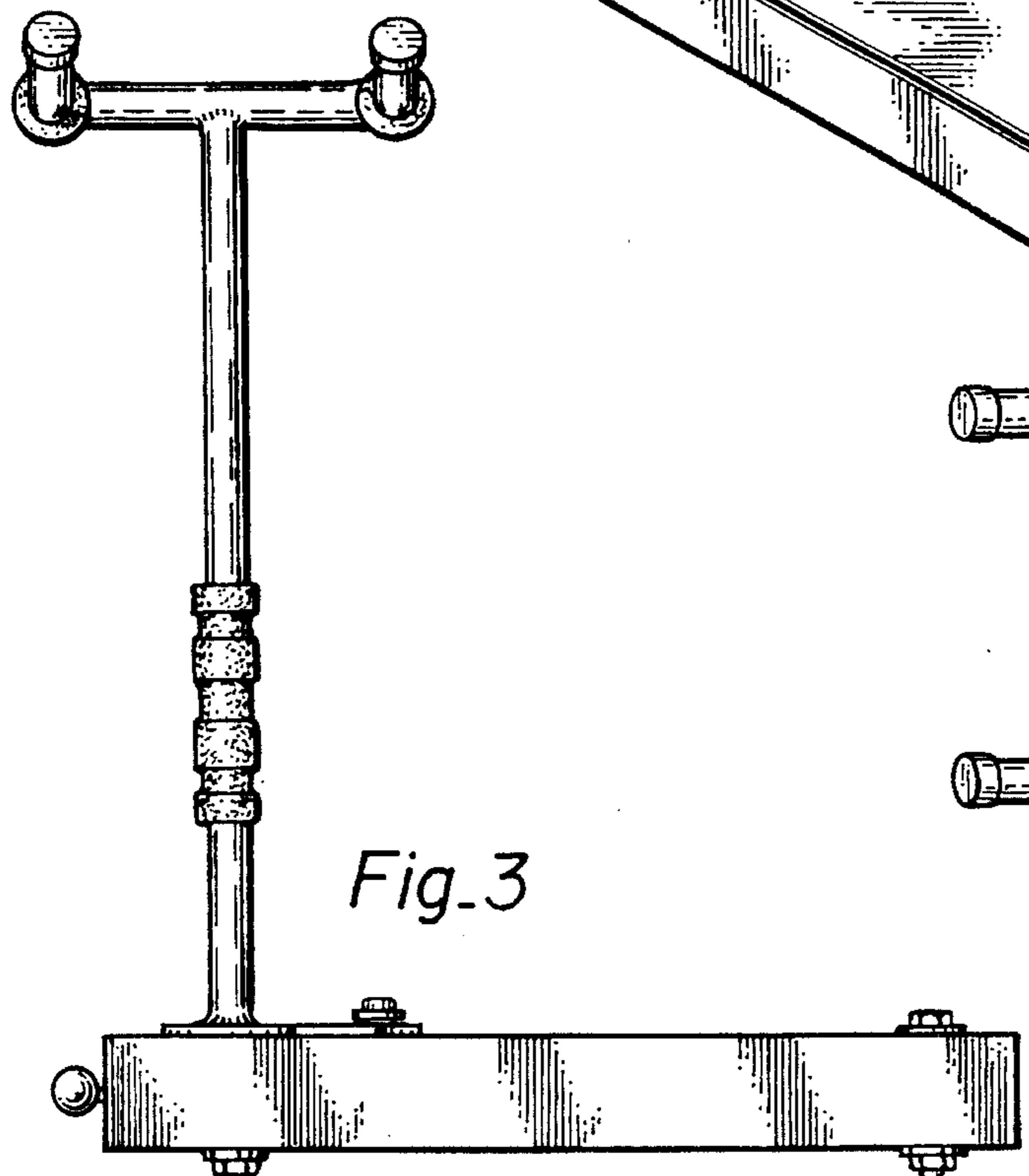


Fig.3

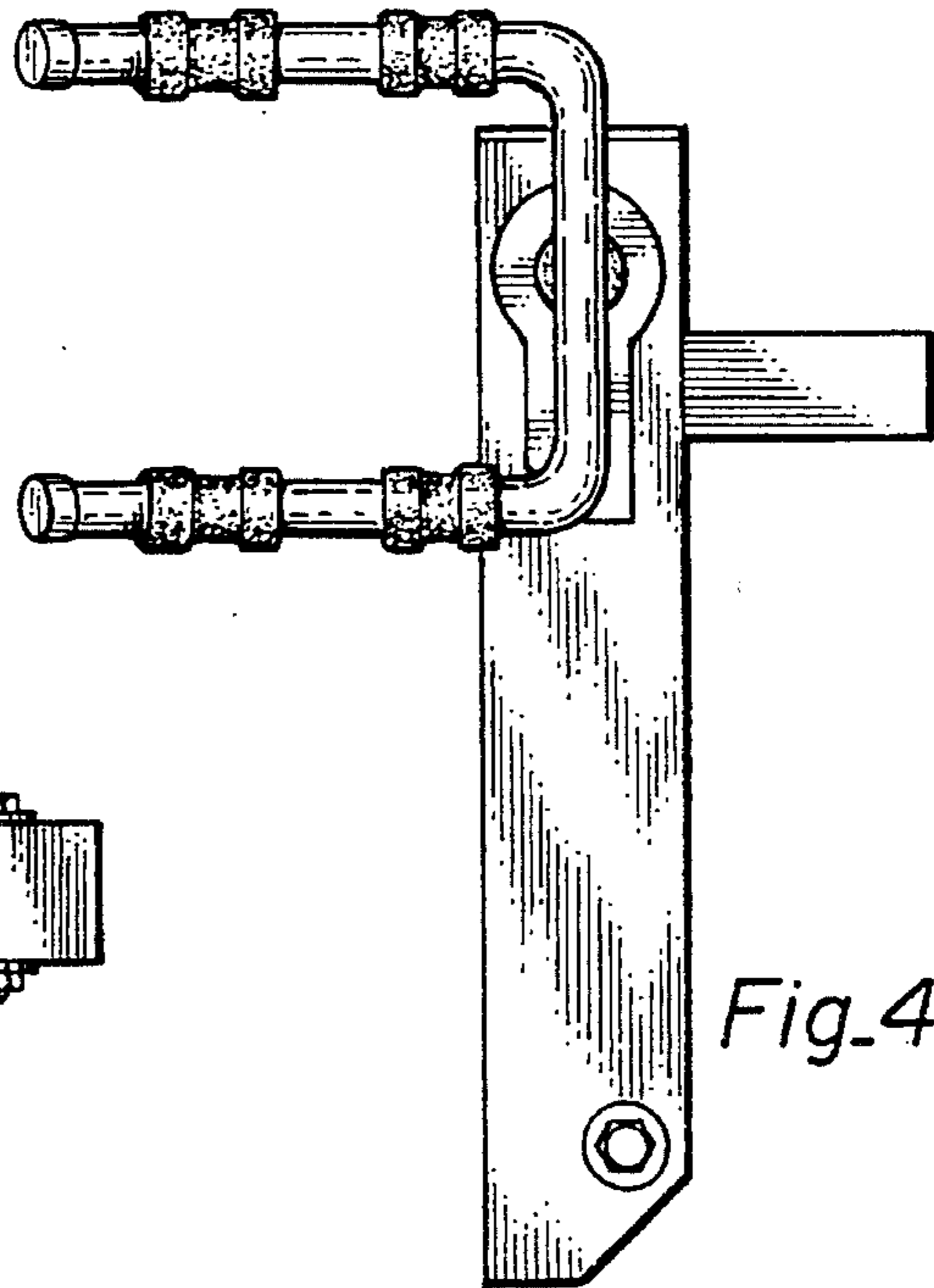


Fig.4

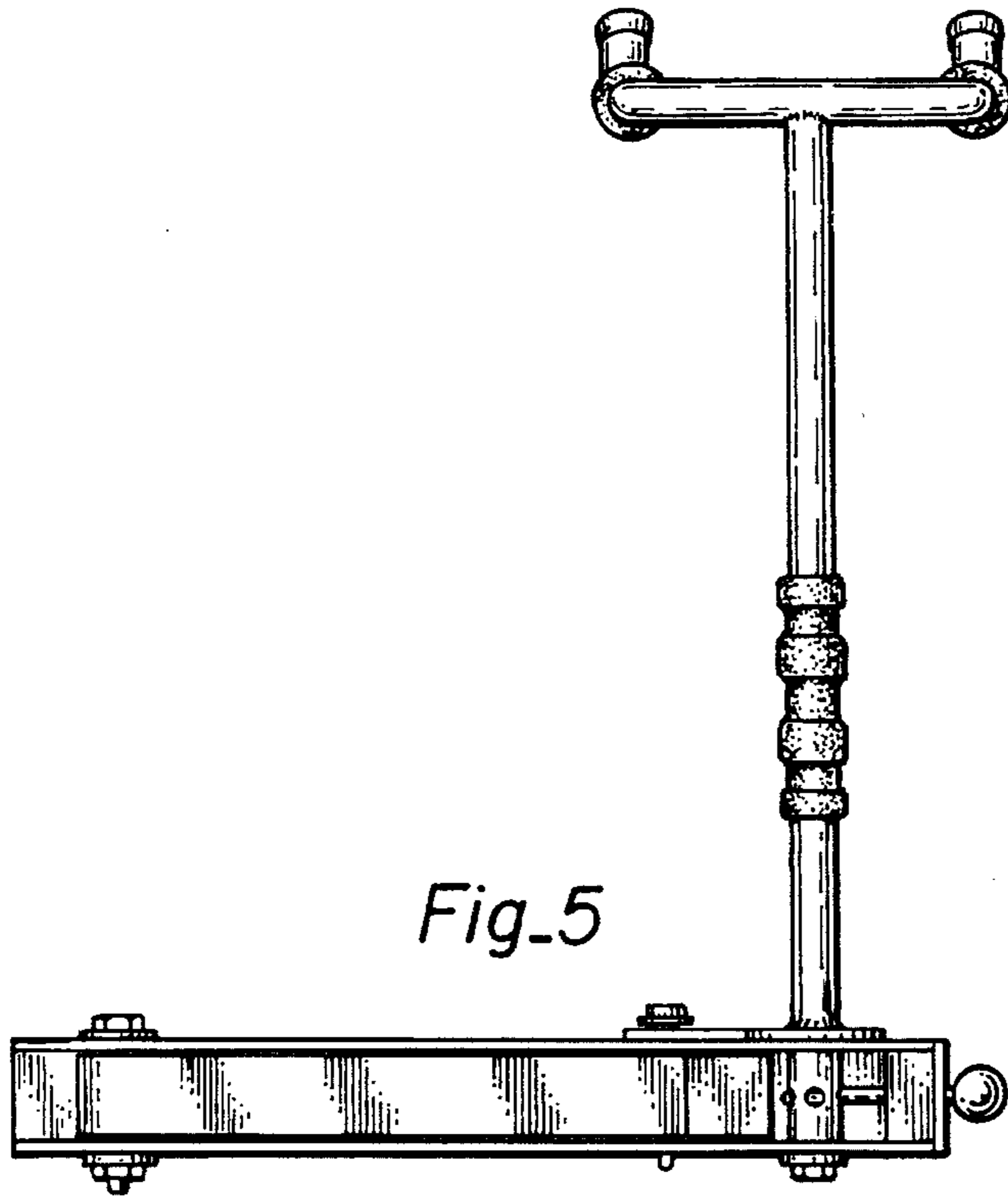


Fig. 5

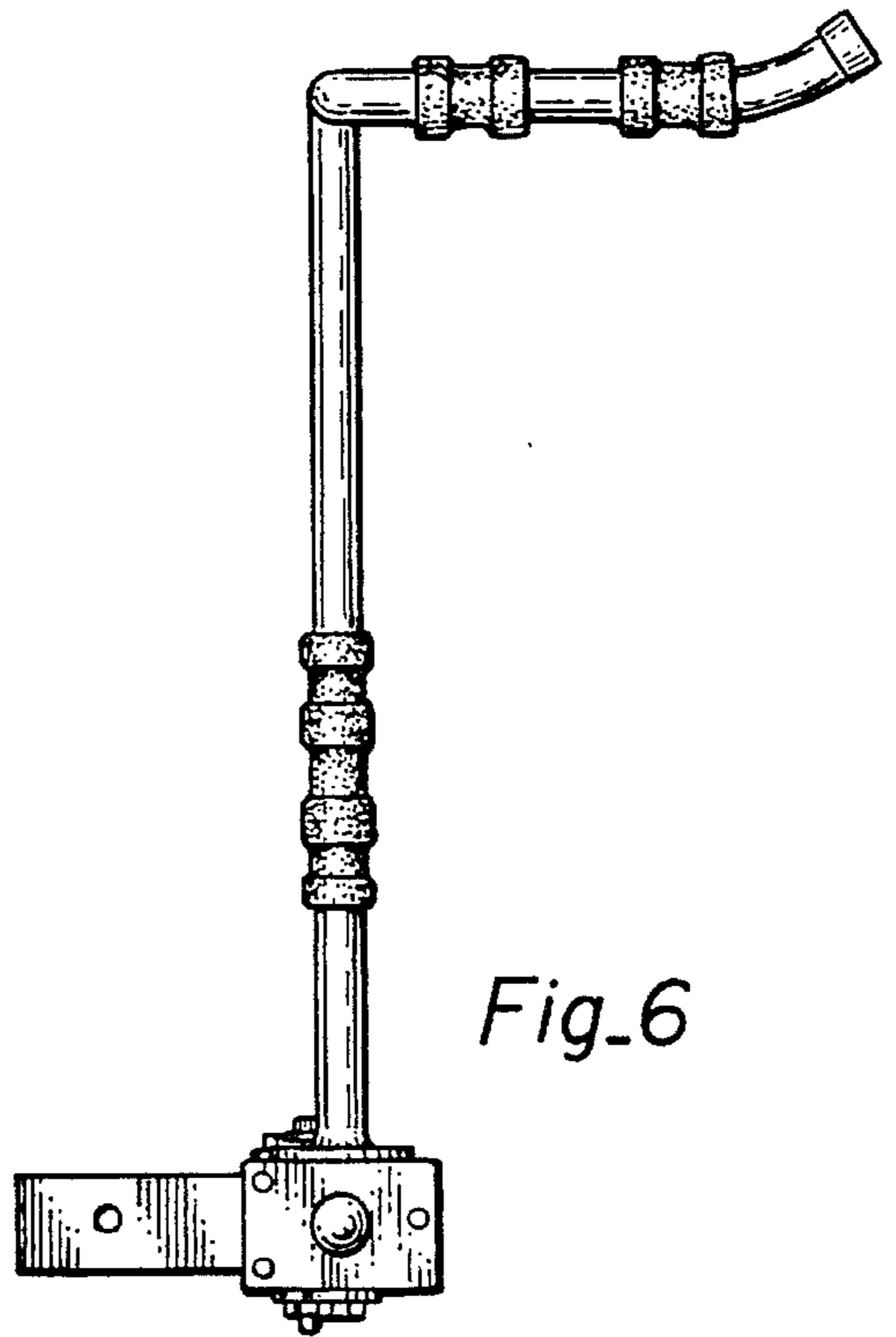


Fig. 6

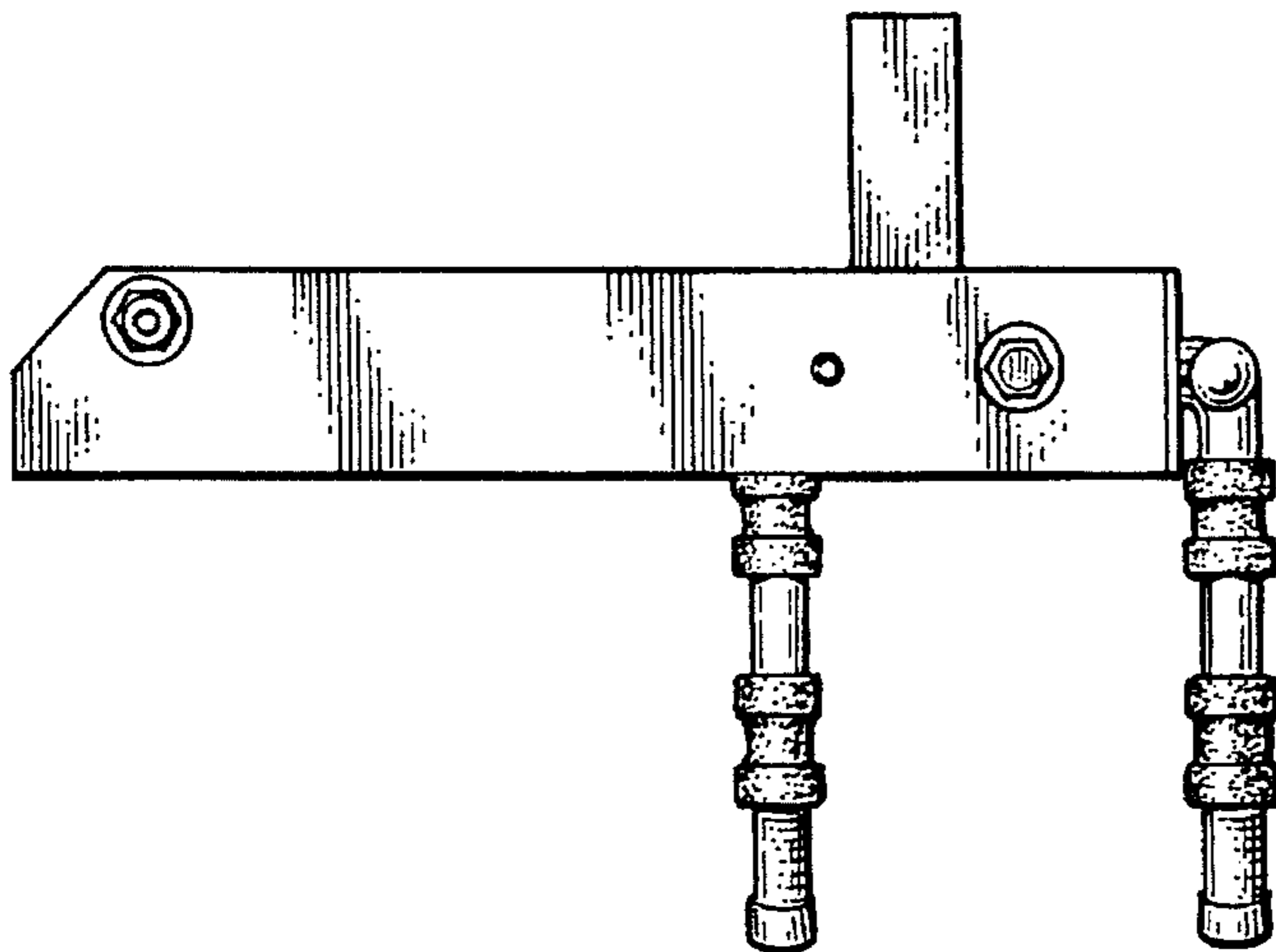


Fig. 7