



US00D369138S

**United States Patent** [19]  
**Götschi**

[11] **Patent Number: Des. 369,138**  
[45] **Date of Patent: \*\*Apr. 23, 1996**

[54] **LUGGAGE CARRIER FOR TWO-WHEELED VEHICLES**

4,760,943 8/1988 Bass et al. .... 224/30 R  
5,435,471 7/1995 Chuang ..... 224/39

[75] Inventor: **Beat Götschi**, Marthalen, Switzerland

*Primary Examiner*—A. Hugo Word  
*Assistant Examiner*—M. Brown  
*Attorney, Agent, or Firm*—Oliff & Berridge

[73] Assignee: **Gebrüder Pletscher AG**, Marthalen, Switzerland

[\*\*] Term: **14 Years**

[57] **CLAIM**

[21] Appl. No.: **31,225**

The ornamental design for a luggage carrier for two-wheeled vehicles, as shown and described.

[22] Filed: **Nov. 14, 1994**

**DESCRIPTION**

[30] **Foreign Application Priority Data**

FIG. 1 is a front perspective view of the luggage carrier for two wheeled vehicles;

Jul. 20, 1994 [CH] Switzerland ..... 121573

FIG. 2 is a left side view thereof;

[52] **U.S. Cl.** ..... **D12/407**

FIG. 3 is a right side view thereof;

[58] **Field of Search** ..... D12/407; 224/30 A, 224/30 R, 32 R, 3 A, 35, 39

FIG. 4 is a front view thereof;

FIG. 5 is a rear view thereof;

FIG. 6 is a top view thereof;

FIG. 7 is a bottom view thereof;

[56] **References Cited**

**U.S. PATENT DOCUMENTS**

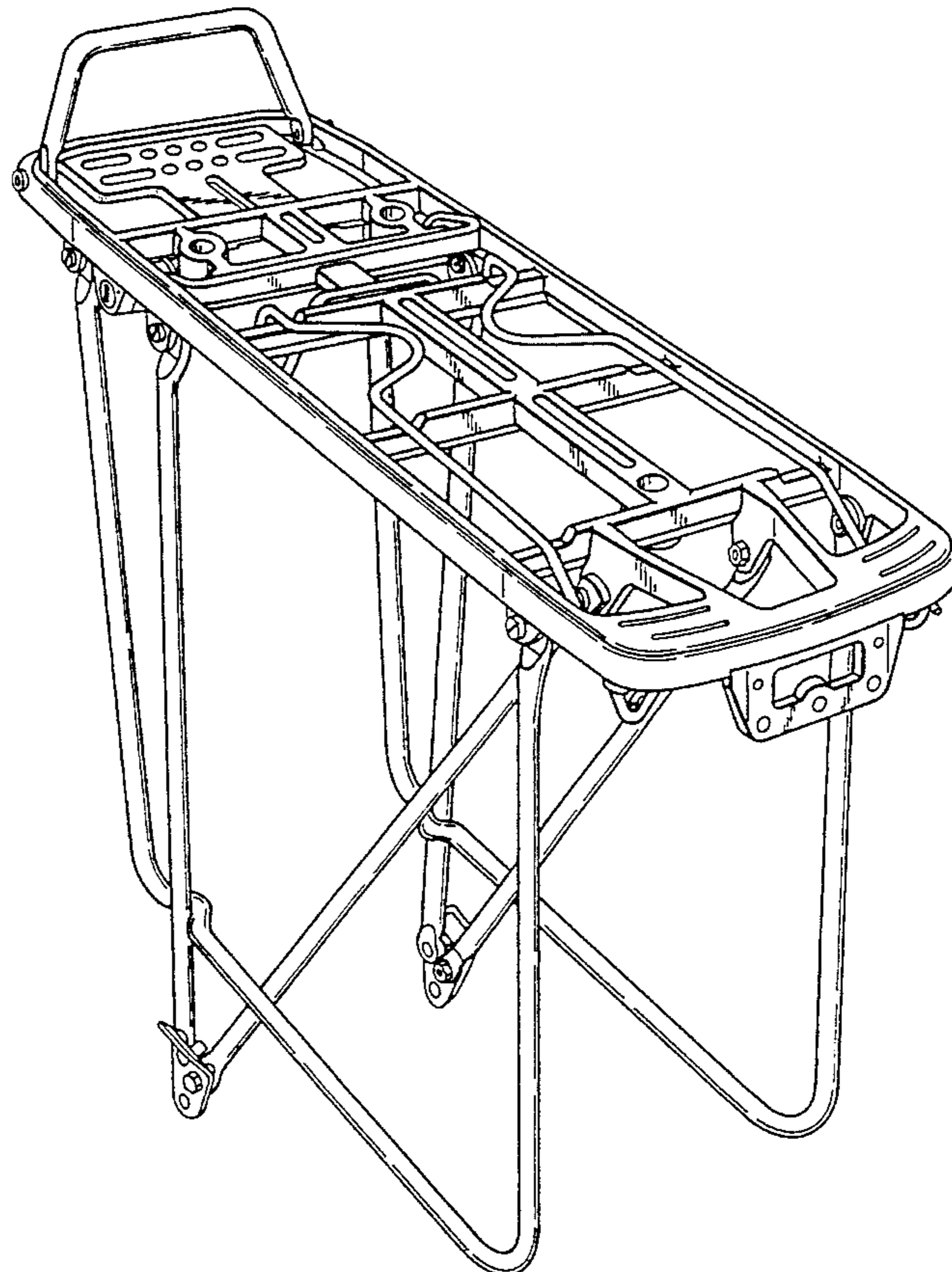
D. 249,676	9/1978	Pletscher	.....	D12/407
D. 271,759	12/1983	Patterson et al.	.....	D12/407
D. 278,699	5/1985	Blackburn	.....	D12/407
D. 303,781	10/1989	Pletcher	.....	D12/407
D. 310,809	9/1990	Pawsat	.....	D12/407
D. 336,879	6/1993	Chen	.....	D12/407
2,809,053	10/1957	Pletscher	.	
2,892,577	6/1959	Chew	.....	D12/407
4,477,004	10/1984	Barro	.....	224/39
4,666,071	5/1987	Irwin et al.	.	

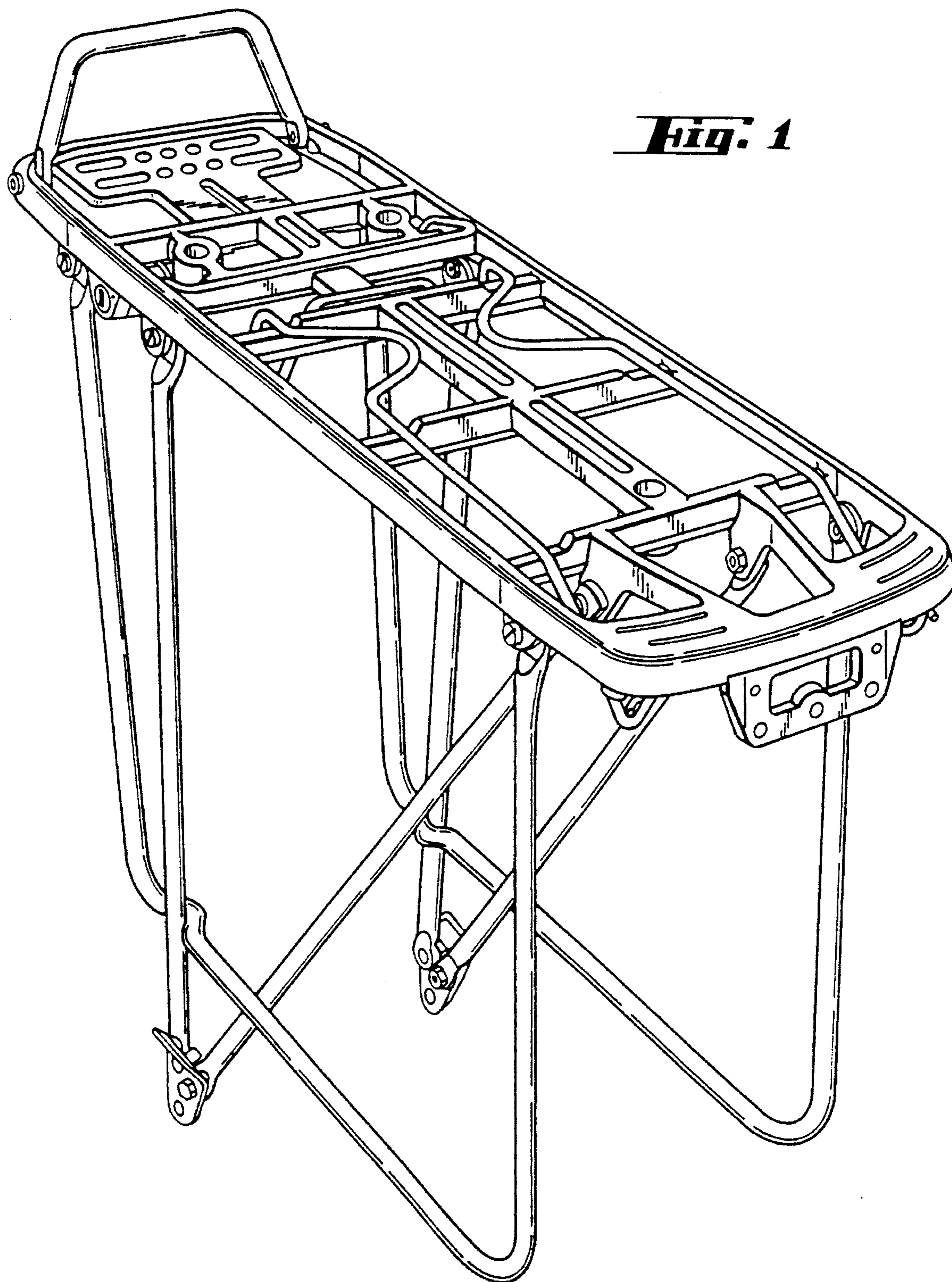
FIG. 8 is a left side view thereof, on a reduced scale showing the luggage carrier on a bicycle and supporting a basket; and,

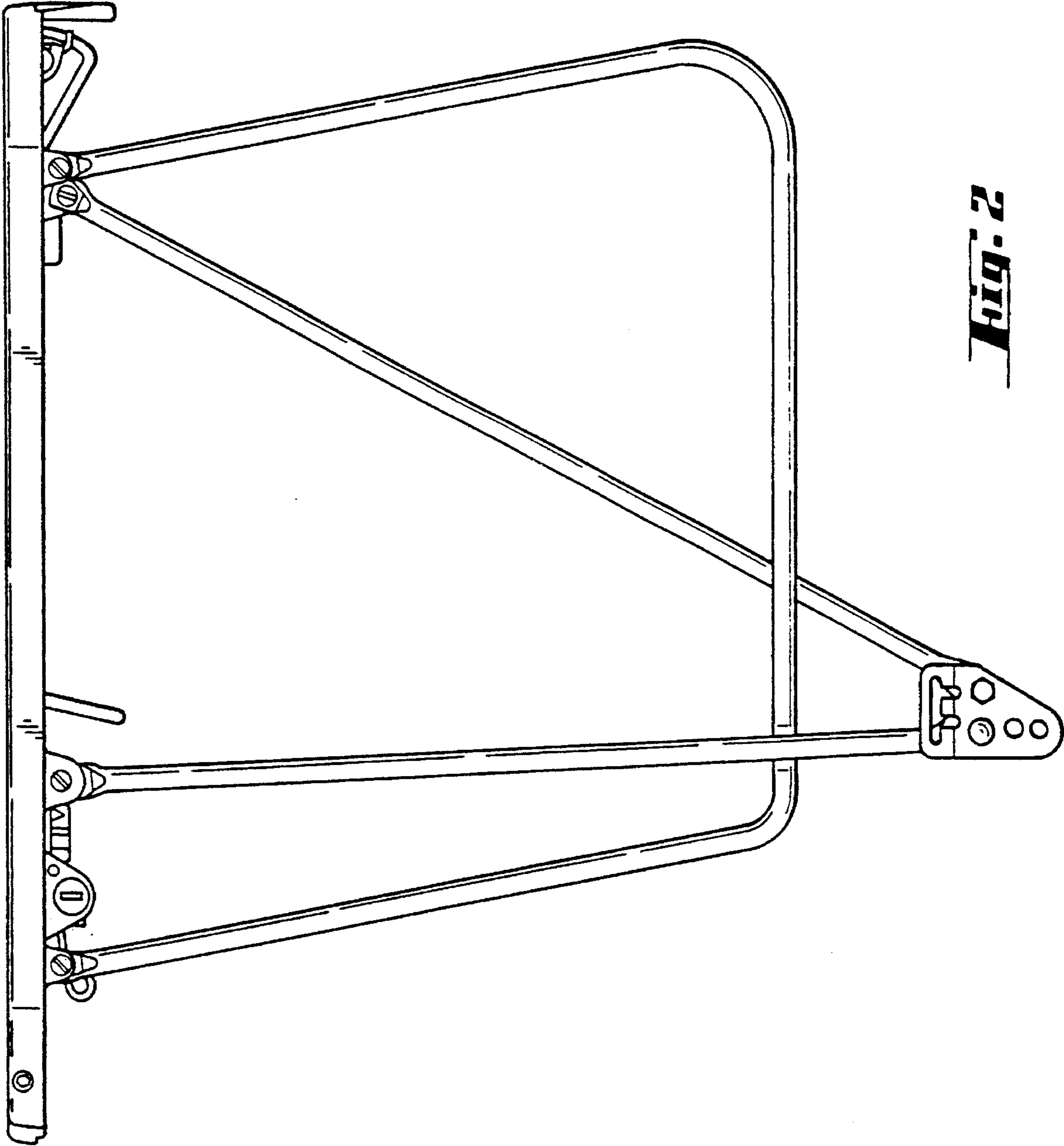
FIG. 9 is a rear view thereof, on a reduced scale showing the luggage carrier on a bicycle and supporting a basket and side bags.

The bicycle and basket shown in broken lines in FIGS. 8 and 9 and side bags shown in FIG. 9 are shown for illustrative purposes only and form no part of the claimed design.

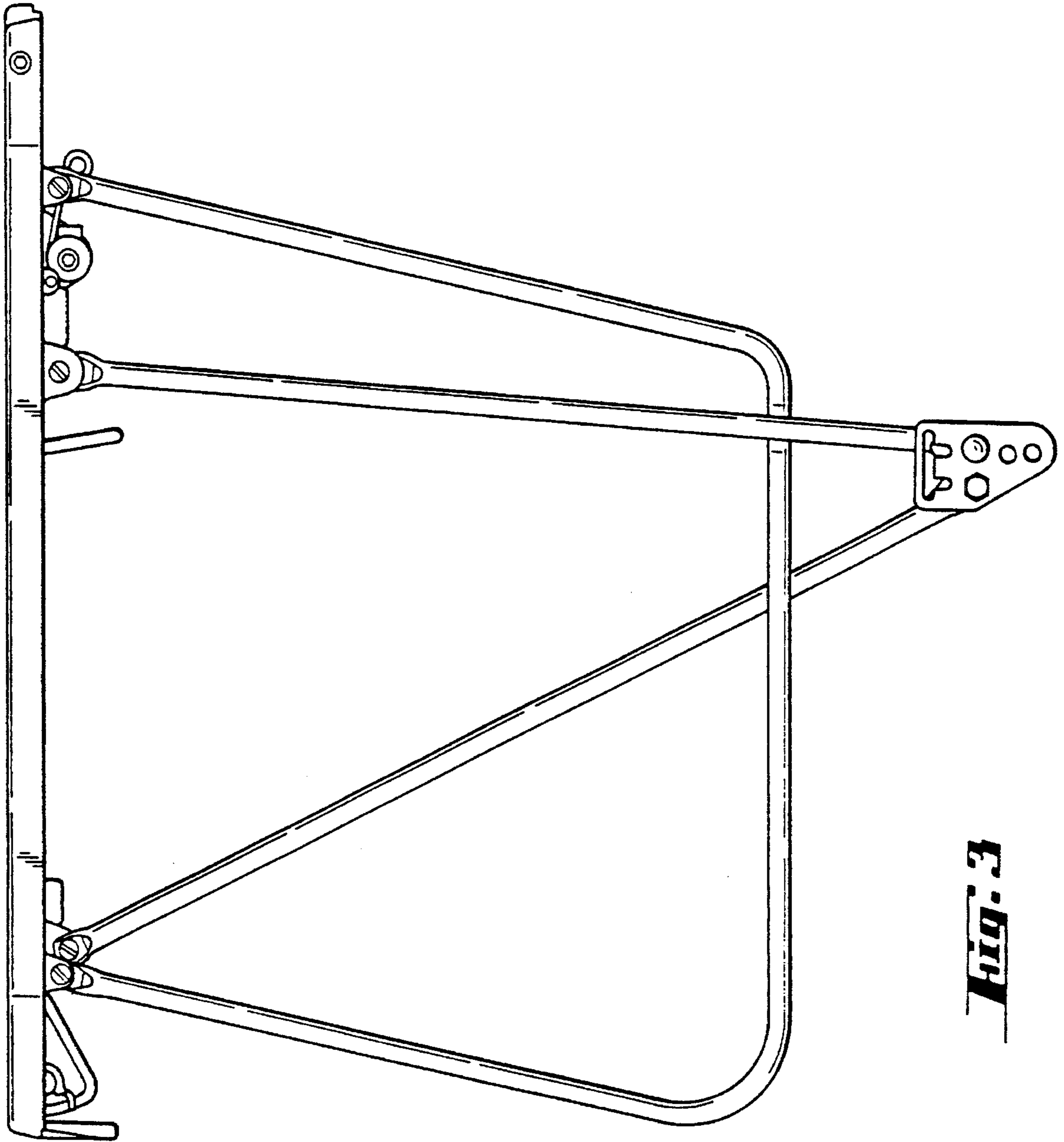
**1 Claim, 7 Drawing Sheets**



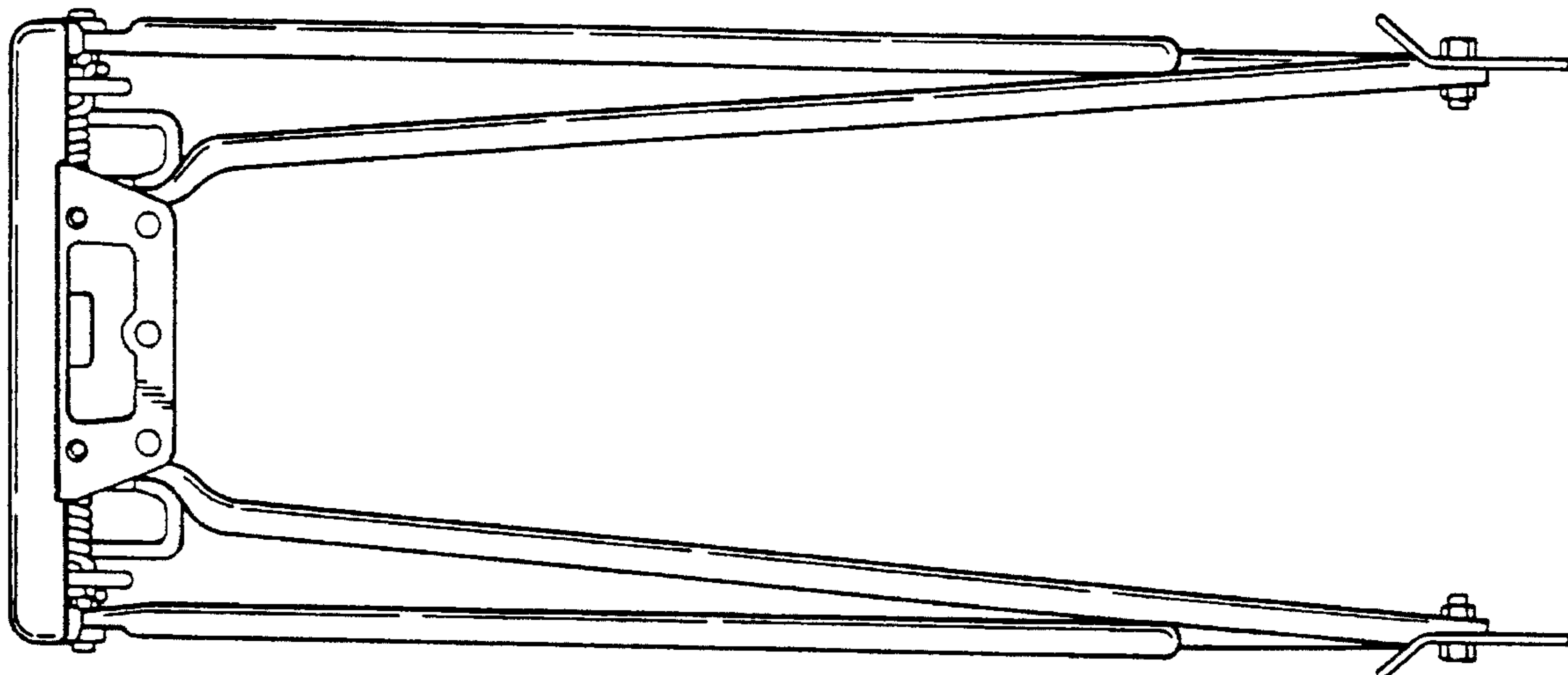




**Fig. 2**

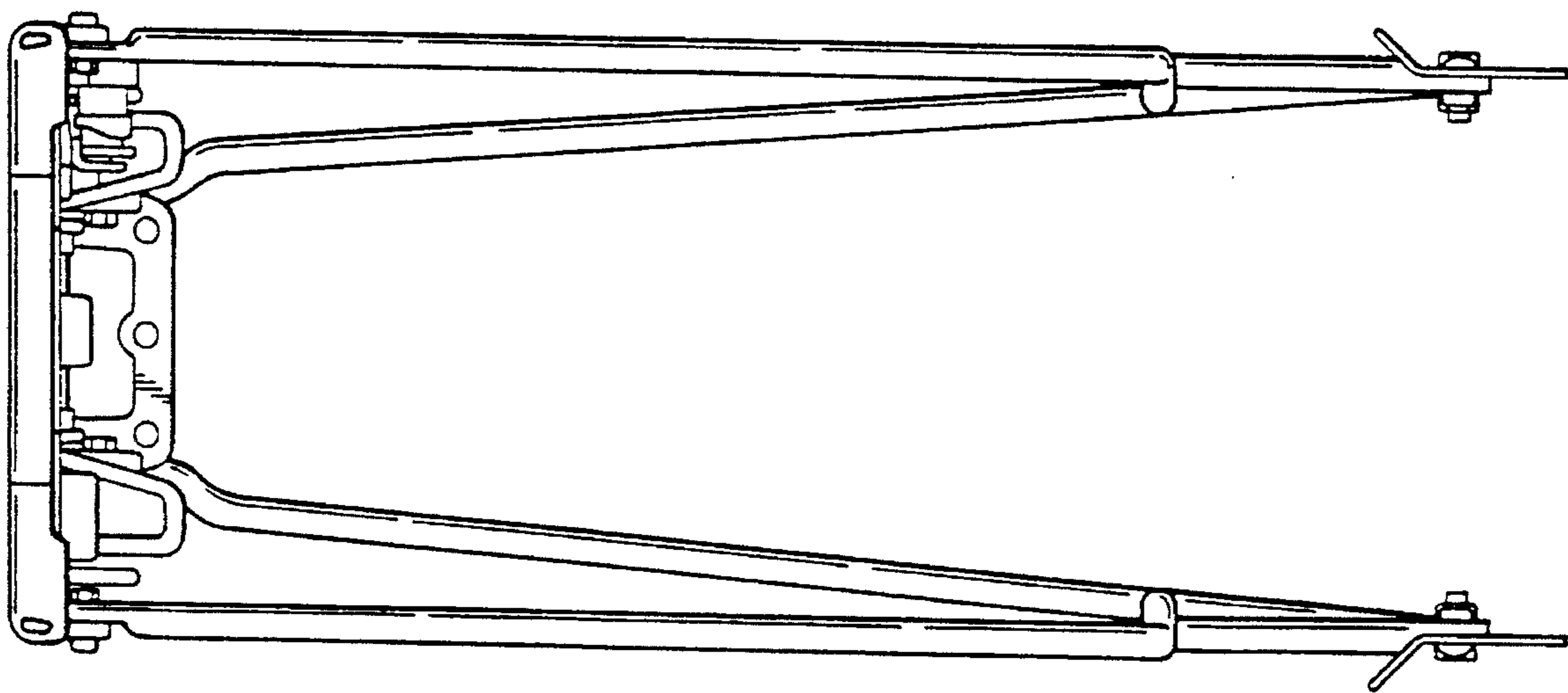


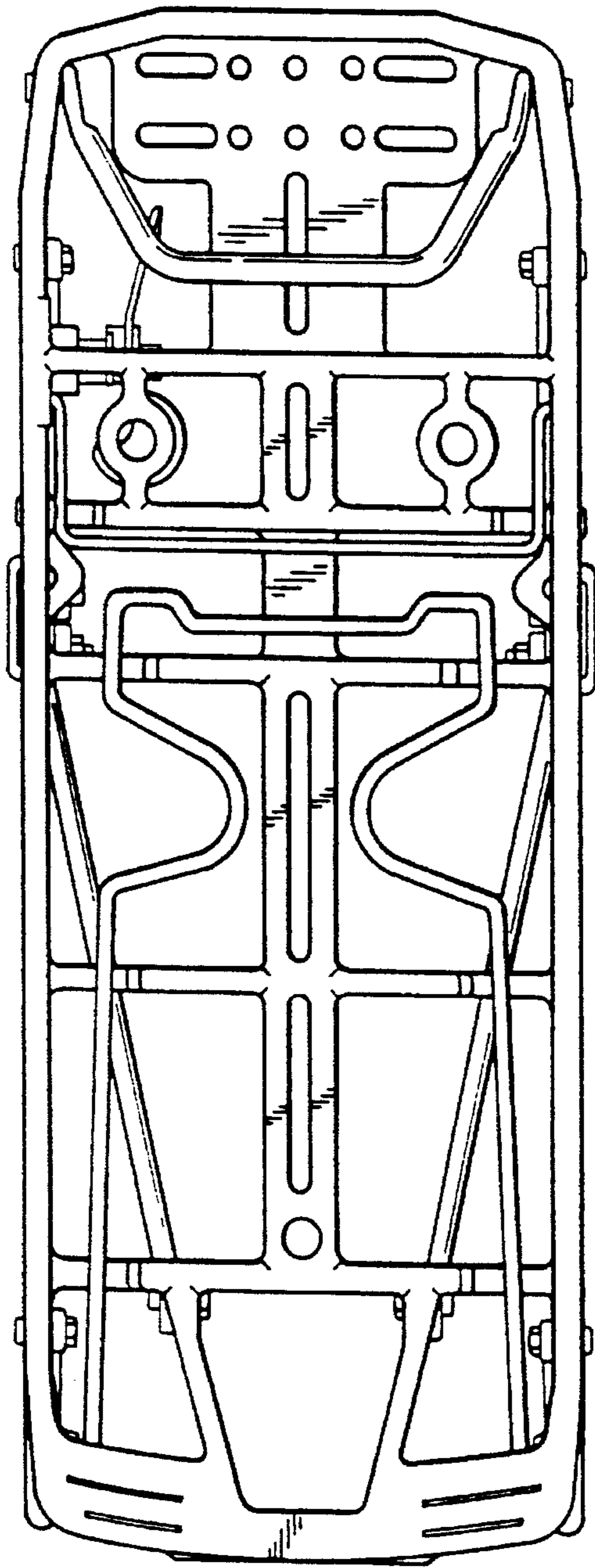
**Fig. 3**



**Fig. 4**

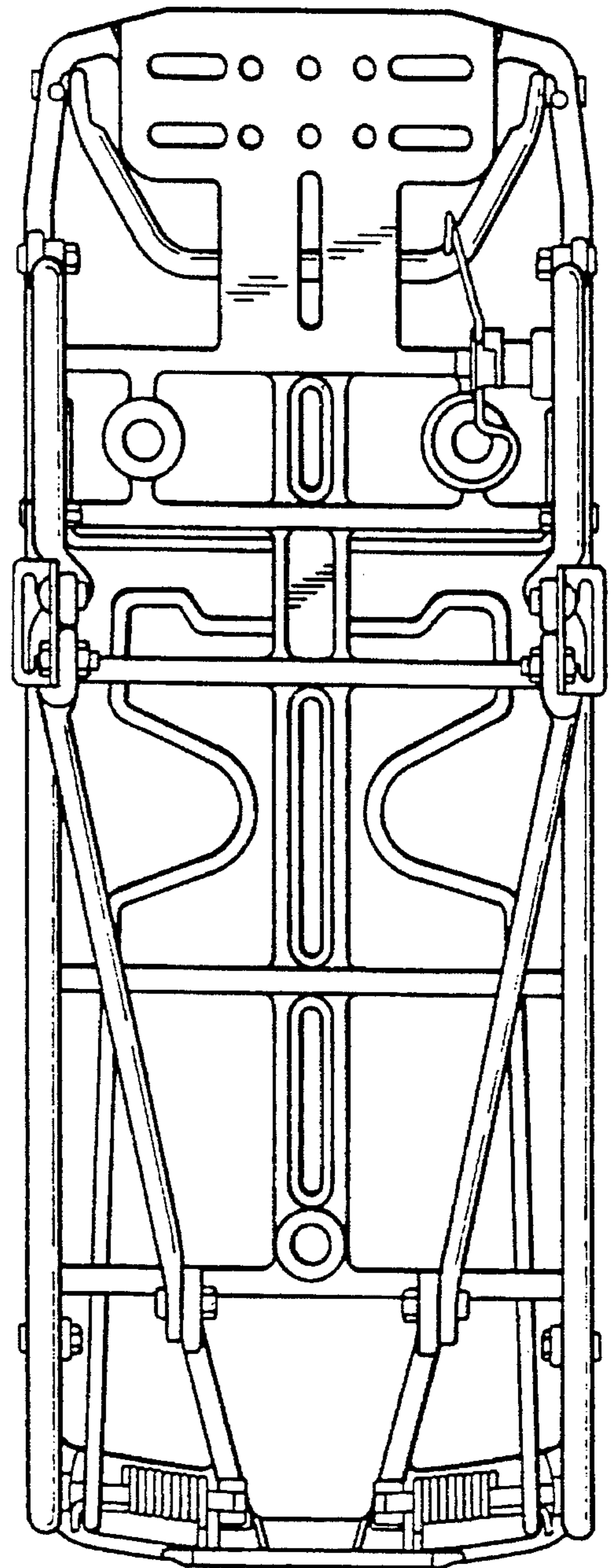
**Fig. 5**

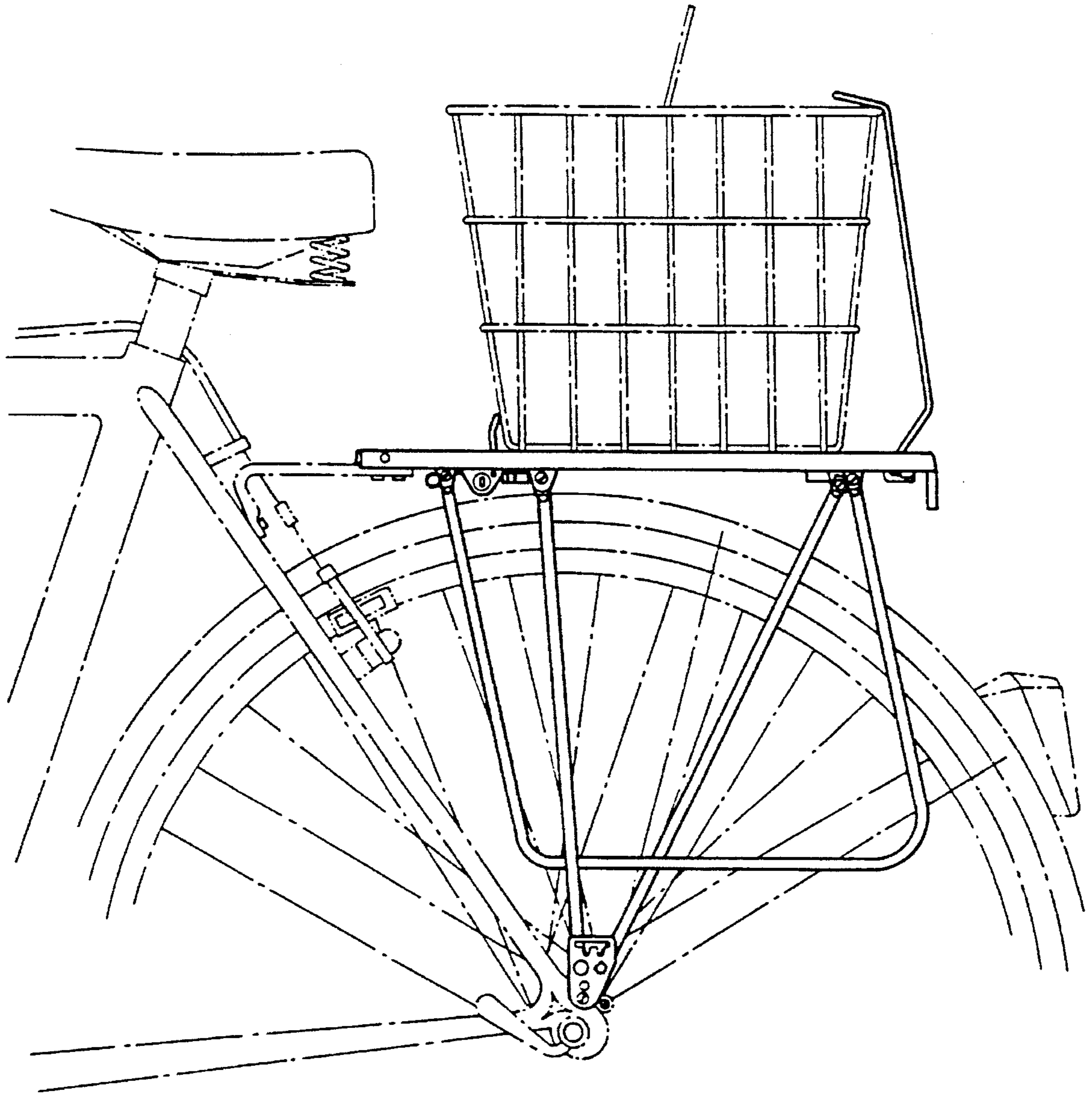




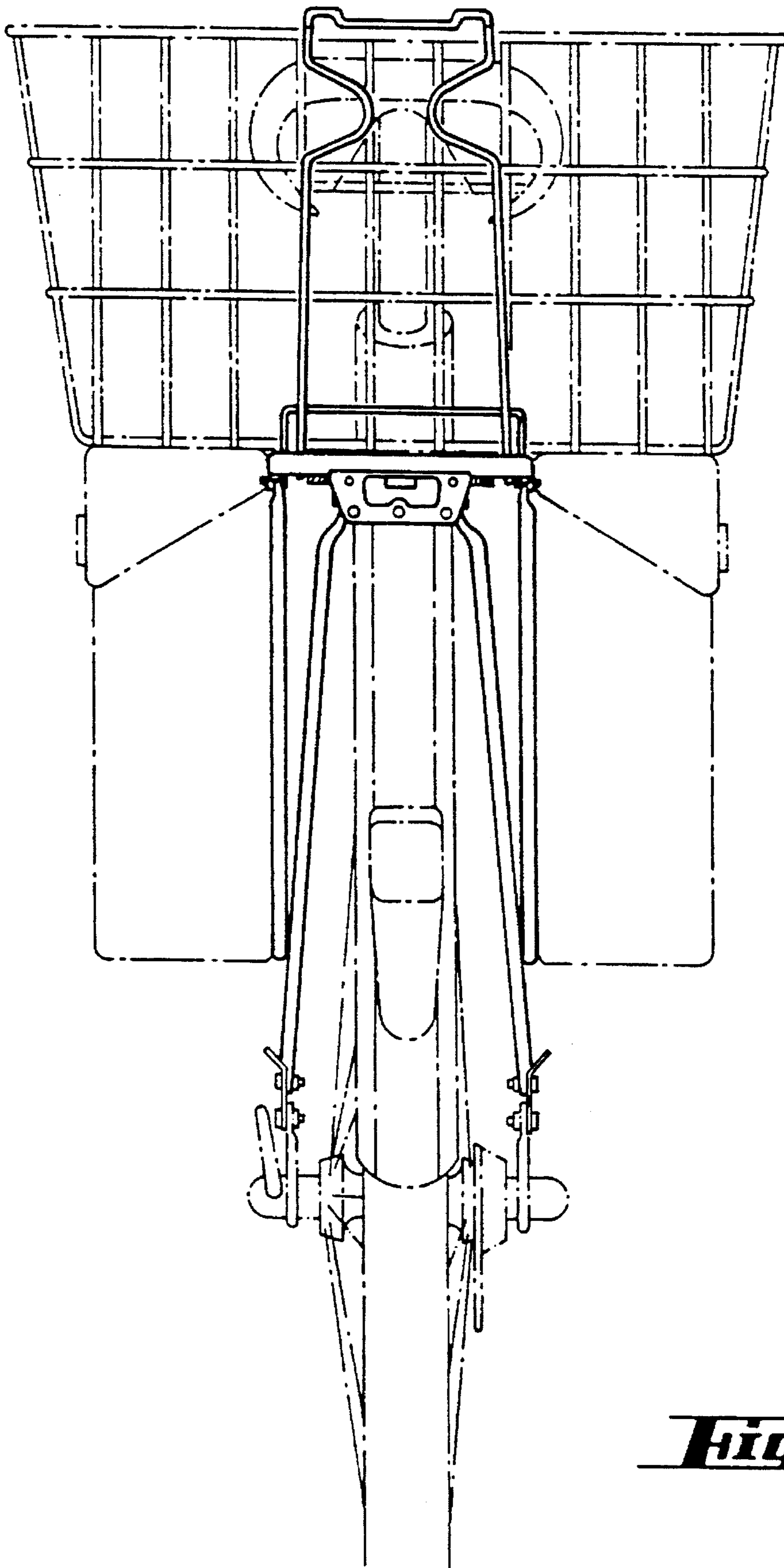
**Fig. 6**

**Fig. 7**





**Fig. 8**



***Fig. 9***