



US00D369131S

**United States Patent** [19]  
**Smith**

[11] **Patent Number: Des. 369,131**  
[45] **Date of Patent: \*\*Apr. 23, 1996**

[54] **BICYCLE RACK**

[76] Inventor: **Terrance R. Smith**, 13 Bateman Drive,  
Nepean, Ontario, Canada, K2G 4N7

[\*\*] Term: **14 Years**

[21] Appl. No.: **18,957**

[22] Filed: **Feb. 18, 1994**

[30] **Foreign Application Priority Data**

Aug. 24, 1993 [CA] Canada ..... 24-08-93-1

[52] **U.S. Cl.** ..... **D12/115**

[58] **Field of Search** ..... D12/115; 211/17,  
211/20, 22

[56] **References Cited**

**U.S. PATENT DOCUMENTS**

D. 305,010 12/1989 Rankin ..... D12/115

D. 324,009 2/1992 Smith ..... D12/115

D. 337,083 7/1993 Rankin ..... D12/115

D. 341,342 11/1993 Pook ..... D12/115

623,967 5/1899 Barnett ..... 211/20

*Primary Examiner*—A. Hugo Word  
*Assistant Examiner*—M. Brown  
*Attorney, Agent, or Firm*—Bauer & Schaffer

[57] **CLAIM**

The ornamental design for a bicycle rack, as shown and described.

**DESCRIPTION**

FIG. 1 is a perspective view of the bicycle rack;  
FIG. 2 is a front elevation view;  
FIG. 3 is a rear elevation view;  
FIG. 4 is a side elevation view;  
FIG. 5 is a top plan view; and,  
FIG. 6 is a bottom plan view.

**1 Claim, 3 Drawing Sheets**

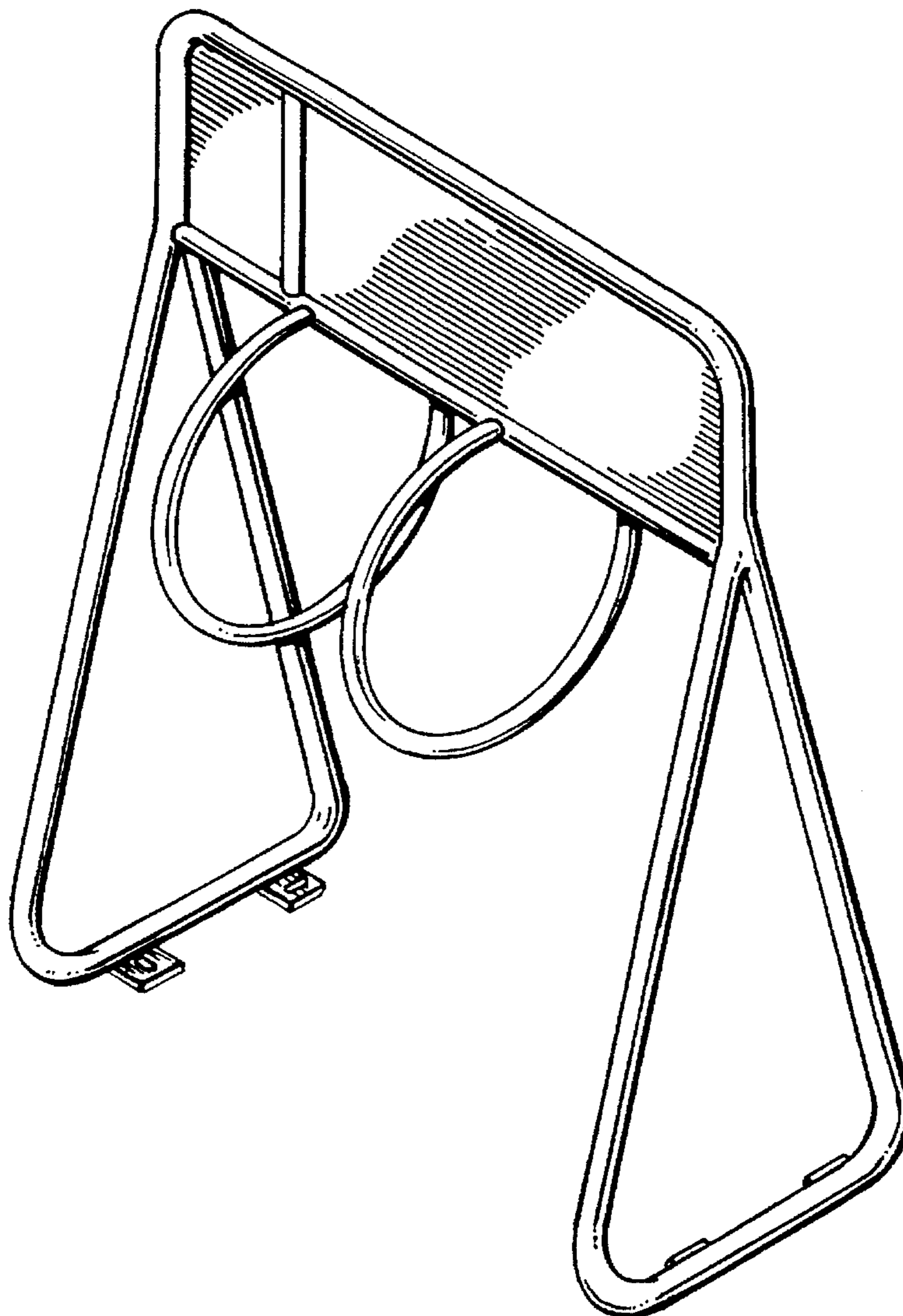


FIG. 1

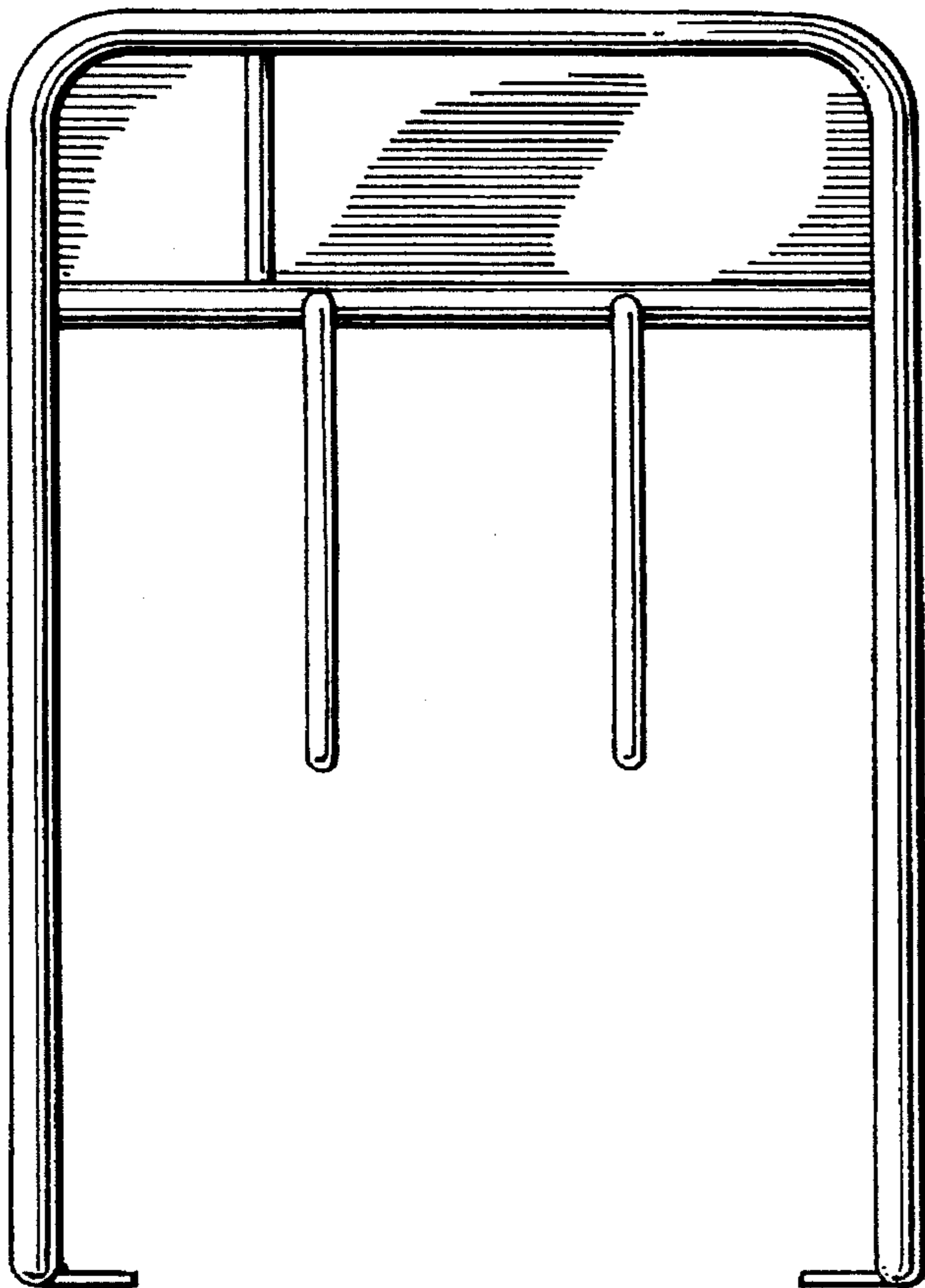
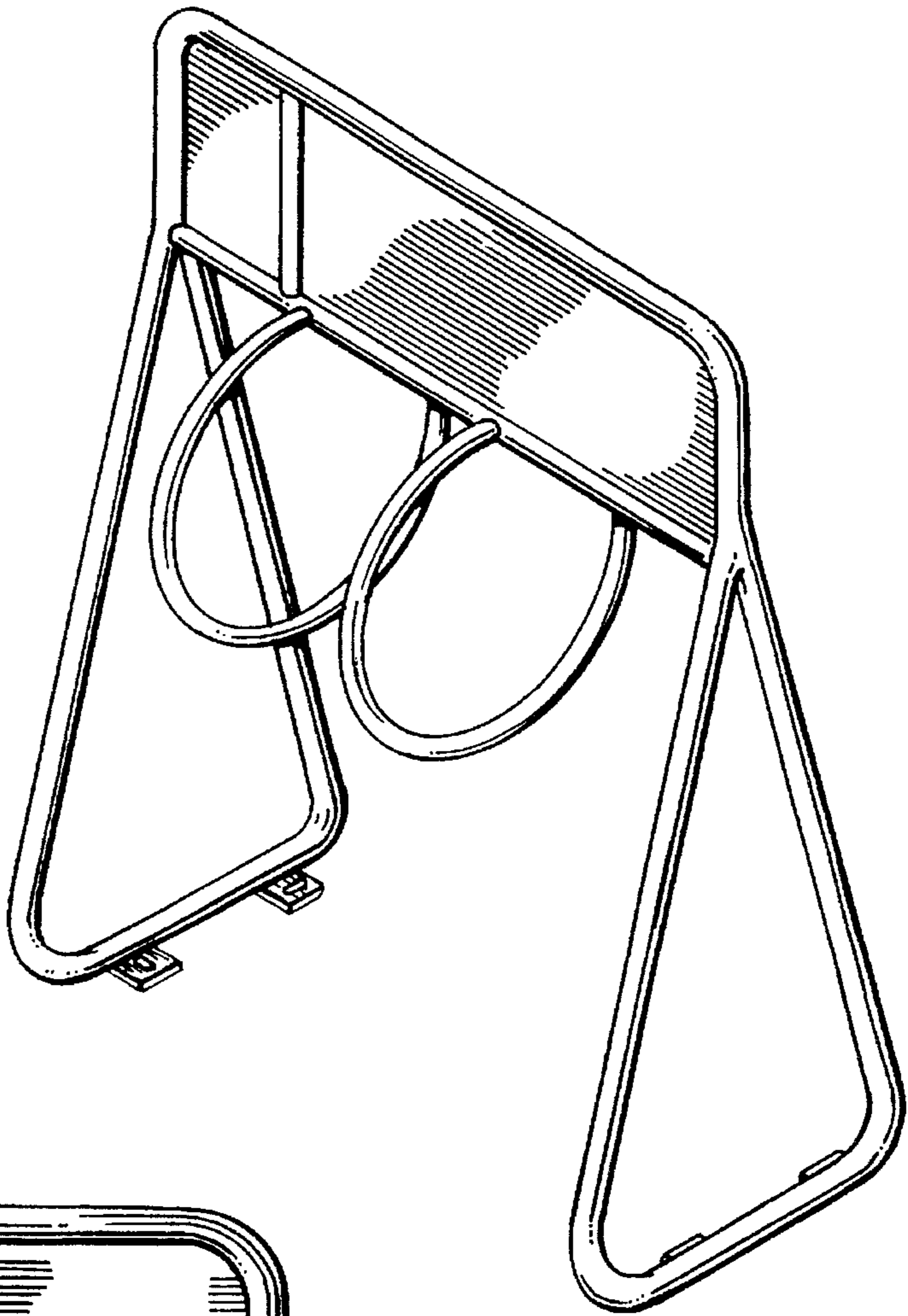


FIG. 2

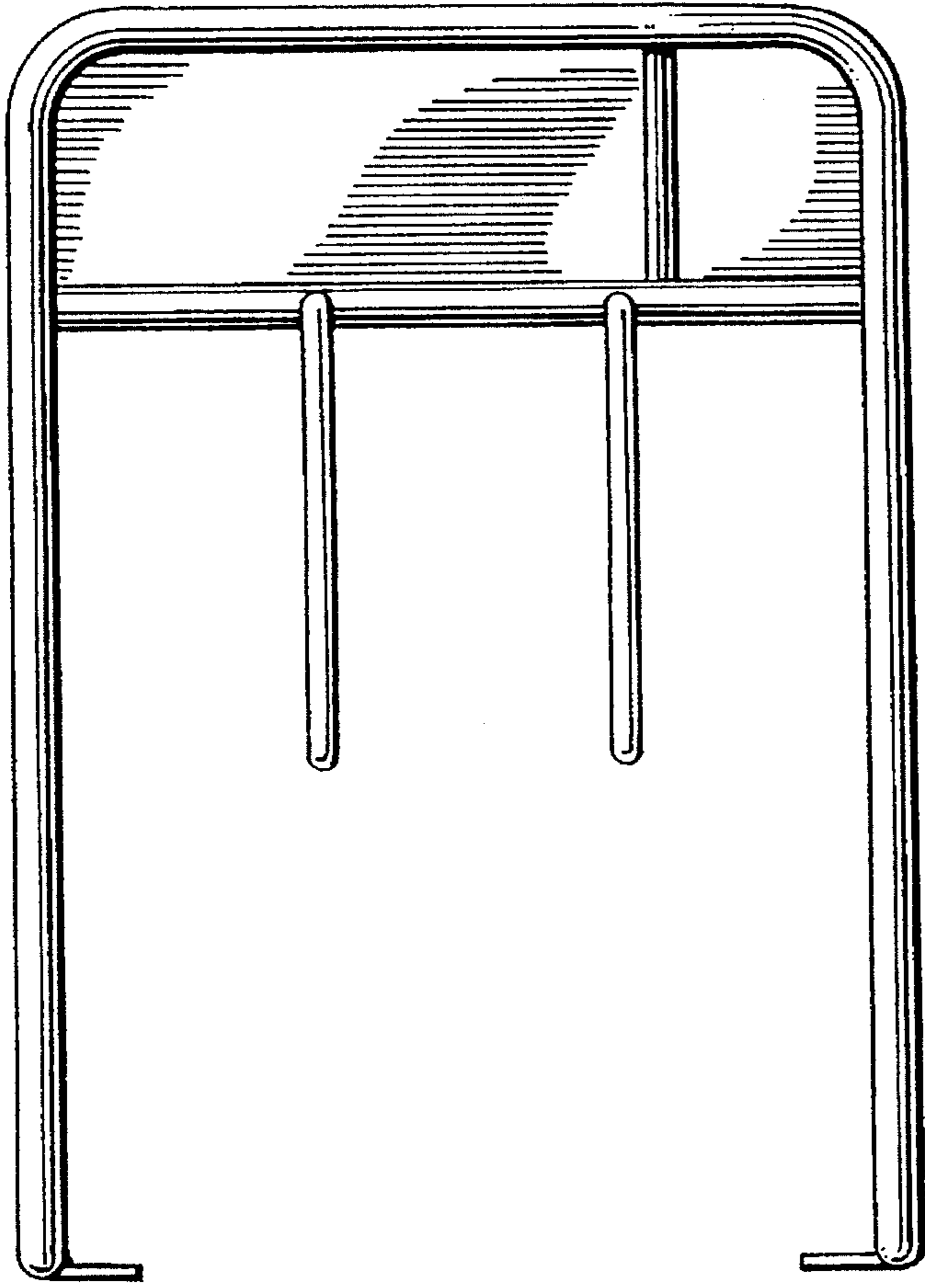


FIG. 3

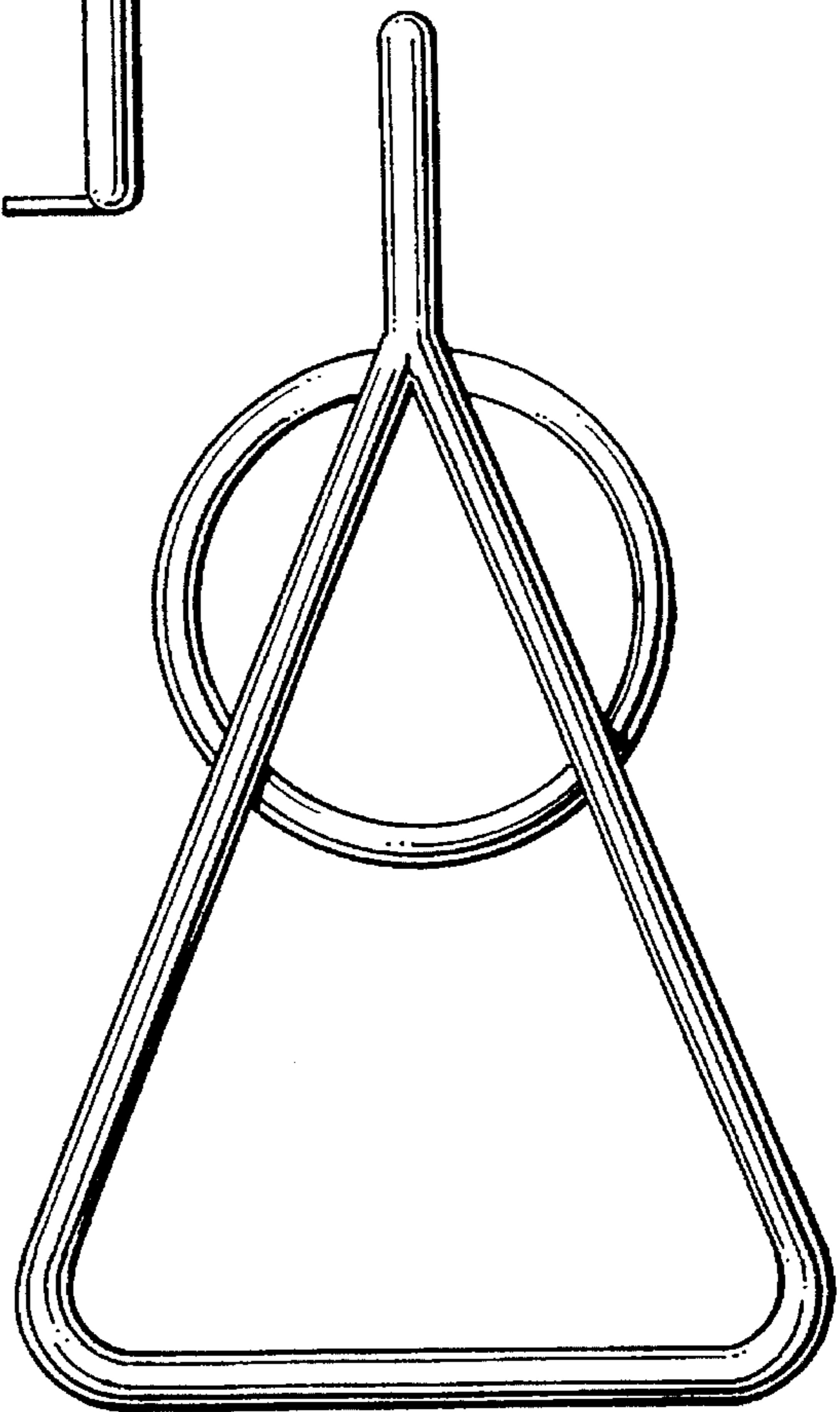


FIG. 4

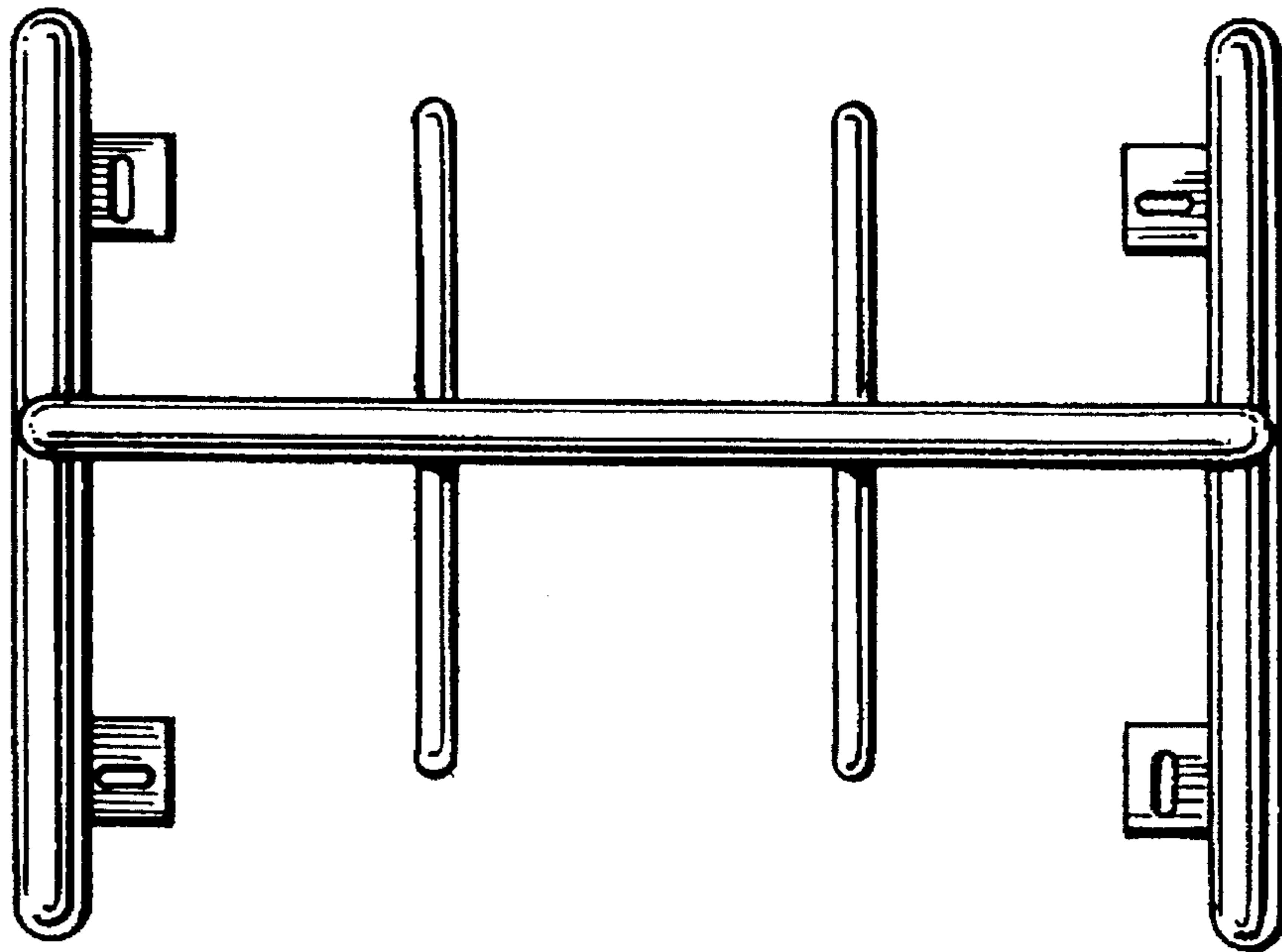


FIG. 5

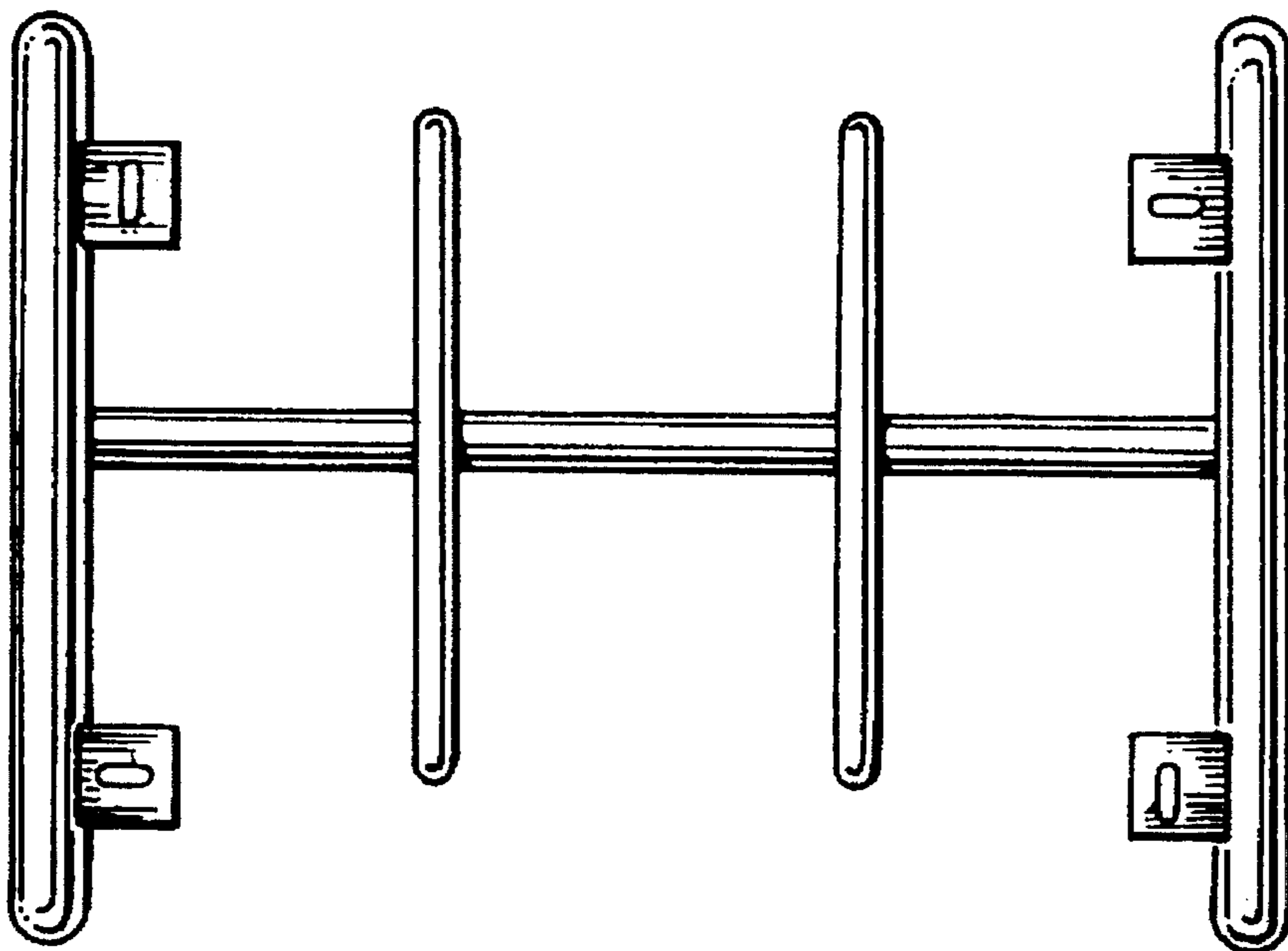


FIG. 6