



US00D369122S

# United States Patent [19]

Lowe, Jr.

[11] Patent Number: **Des. 369,122**

[45] Date of Patent: **\*\*Apr. 23, 1996**

[54] **HANGING PLANTER**

“Carol Wright Flyer”, 1976, Electric Hanging Planter.

[76] Inventor: **Fred W. Lowe, Jr.**, 3279 Ivy St.,  
Denver, Colo. 80207

*Primary Examiner*—Alan P. Douglas  
*Assistant Examiner*—Cathron B. Matta  
*Attorney, Agent, or Firm*—Charles C. Corbin

[\*\*] Term: **14 Years**

[21] Appl. No.: **26,866**

### [57] CLAIM

[22] Filed: **Aug. 8, 1994**

The ornamental design for a hanging planter, as shown and described.

[52] U.S. Cl. .... **D11/148**

[58] Field of Search ..... D11/148, 143,  
D11/144, 152; 47/67 H, 41.01; D26/55

### DESCRIPTION

### [56] References Cited

#### U.S. PATENT DOCUMENTS

3,950,637 4/1976 Rodin ..... 47/67 H  
4,525,950 7/1985 Glassman ..... 47/41.01

FIG. 1 is a top, front perspective view showing my new design;

FIG. 2 is a side elevational view thereof;

FIG. 3 is a top plan view thereof; and,

FIG. 4 is a bottom plan view thereof.

#### FOREIGN PATENT DOCUMENTS

122762 2/1919 United Kingdom .

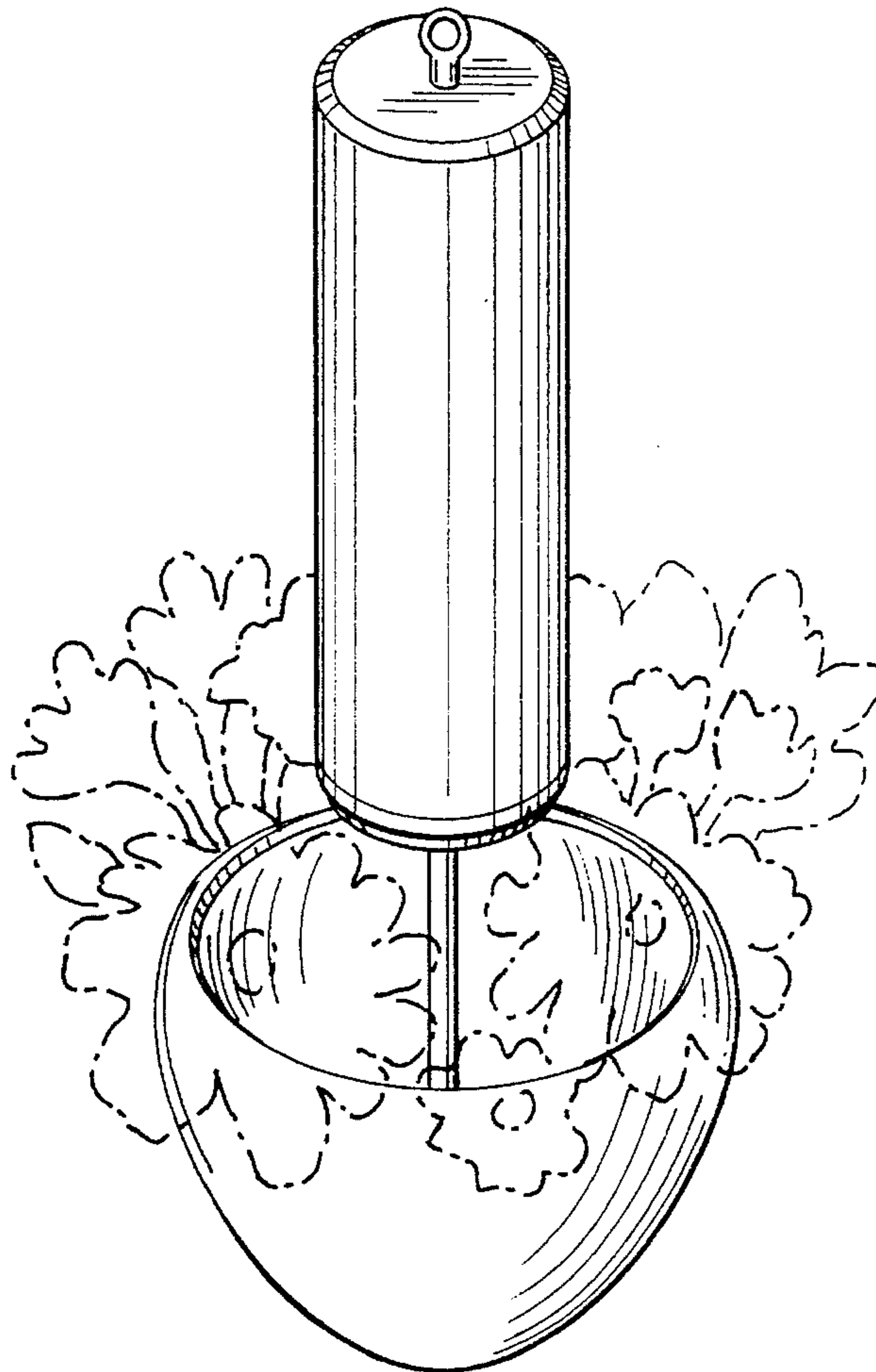
The broken line showing of flowers is for illustrative purposes only, and forms no part of the claimed design.

#### OTHER PUBLICATIONS

“Haeger Ceramics”, Fall 1955, cover page, item No. R-1570.

“Progressive Architecture”, Nov. 1975, p. 114, Plant Lamp.

**1 Claim, 1 Drawing Sheet**



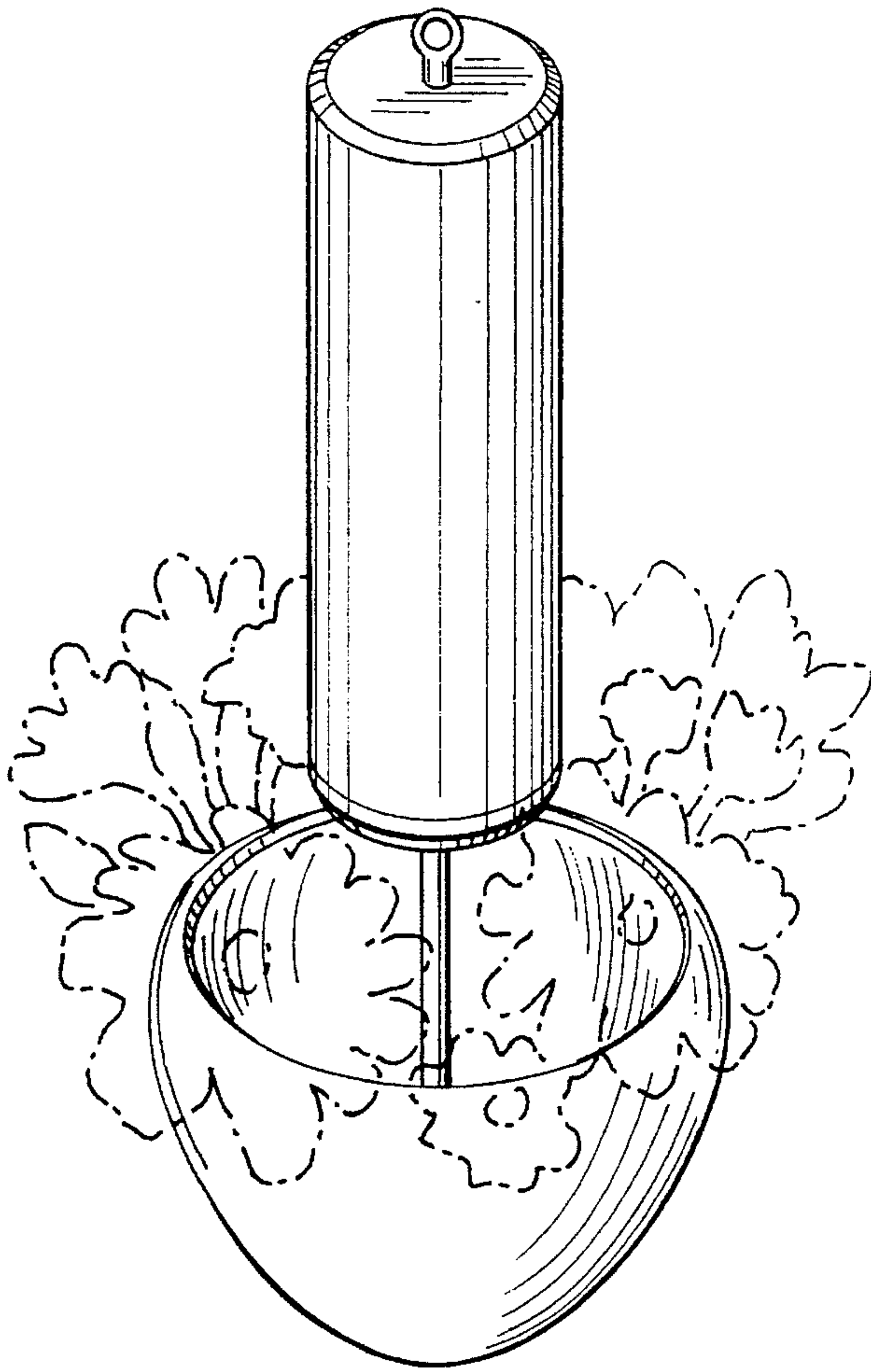


FIG. 1

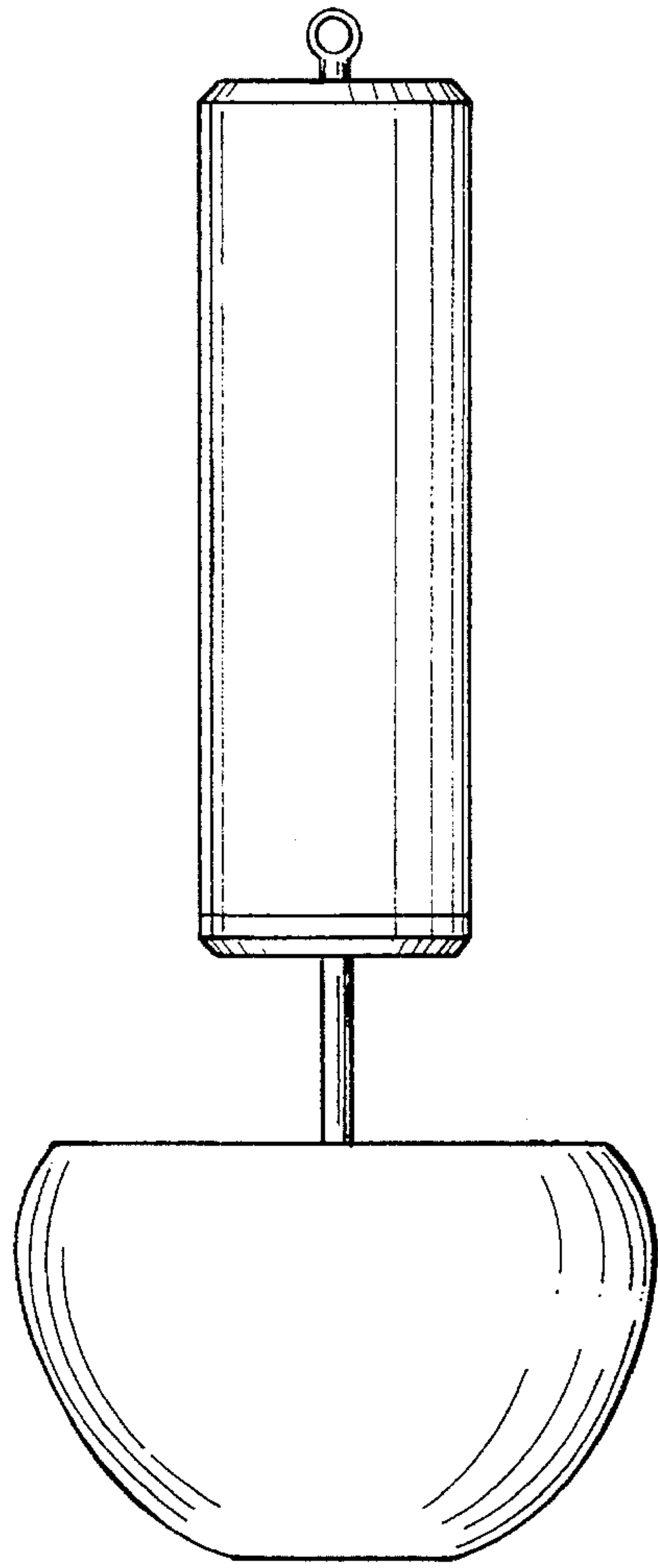


FIG. 2

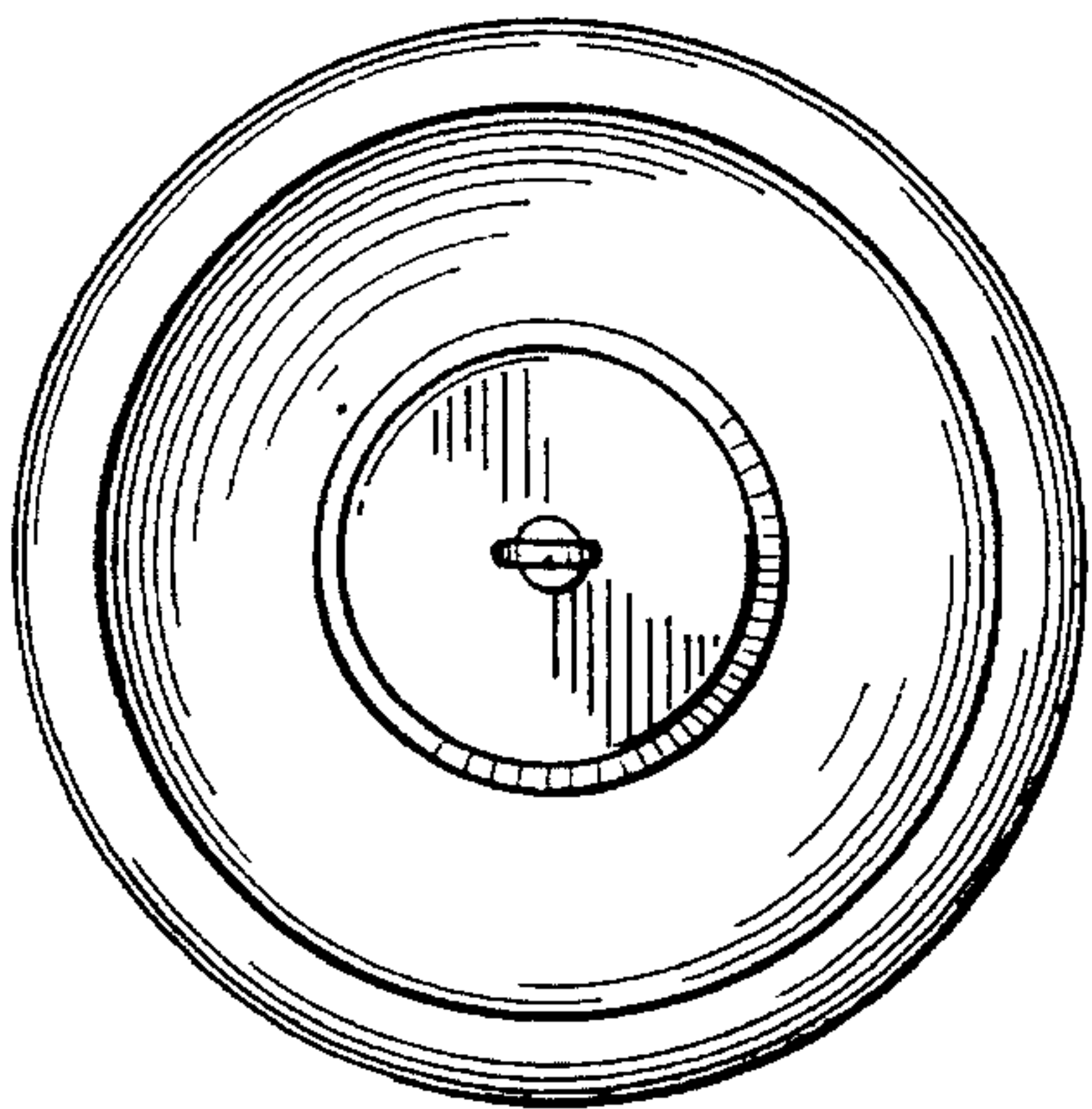


FIG. 3

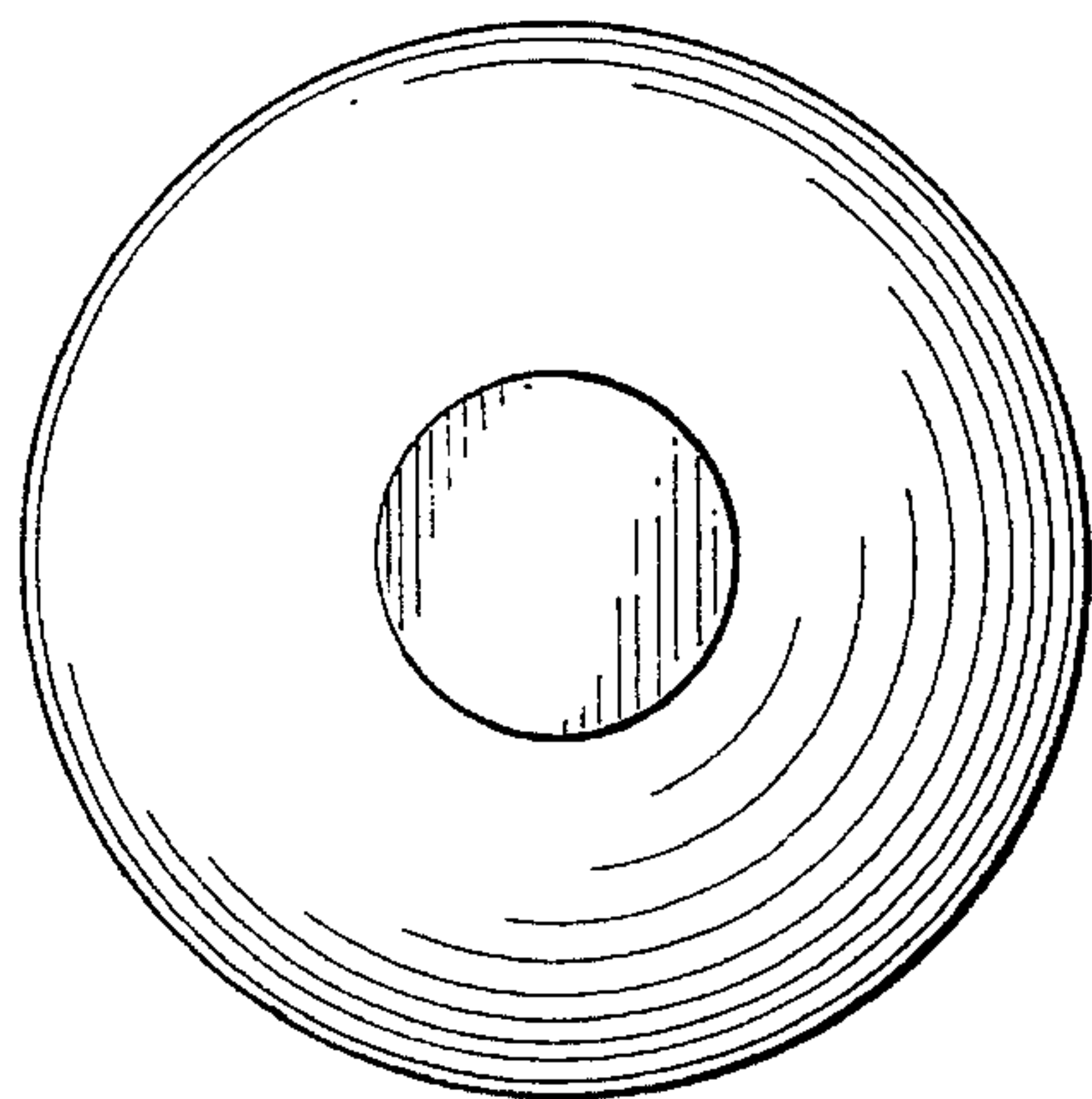


FIG. 4