



US00D369114S

United States Patent [19]

[11] Patent Number: **Des. 369,114**

Davidov

[45] Date of Patent: ****Apr. 23, 1996**

[54] HELMET SHOT GLASS

D. 337,242 7/1993 Steinfels, III D7/514 X
D. 347,361 5/1994 Herrgiza D7/514 X

[76] Inventor: **Theodore Davidov**, 2101 Connecticut Ave., NW., Washington, D.C. 20008

Primary Examiner—Terry A. Wallace

[**] Term: **14 Years**

[57] CLAIM

[21] Appl. No.: **36,399**

The ornamental design for a helmet shot glass, as shown and described.

[22] Filed: **Mar. 20, 1995**

DESCRIPTION

[52] U.S. Cl. **D10/46.2; D7/514; D7/625**

[58] Field of Search **D10/46.2, 46.3; D7/509, 514, 515, 625; 73/426-429**

FIG. 1 is a top, front perspective view of a helmet shot glass showing my new design;

FIG. 2 is a top, rear perspective view thereof;

FIG. 3 is a front elevation view thereof;

FIG. 4 is a side elevation view thereof; and,

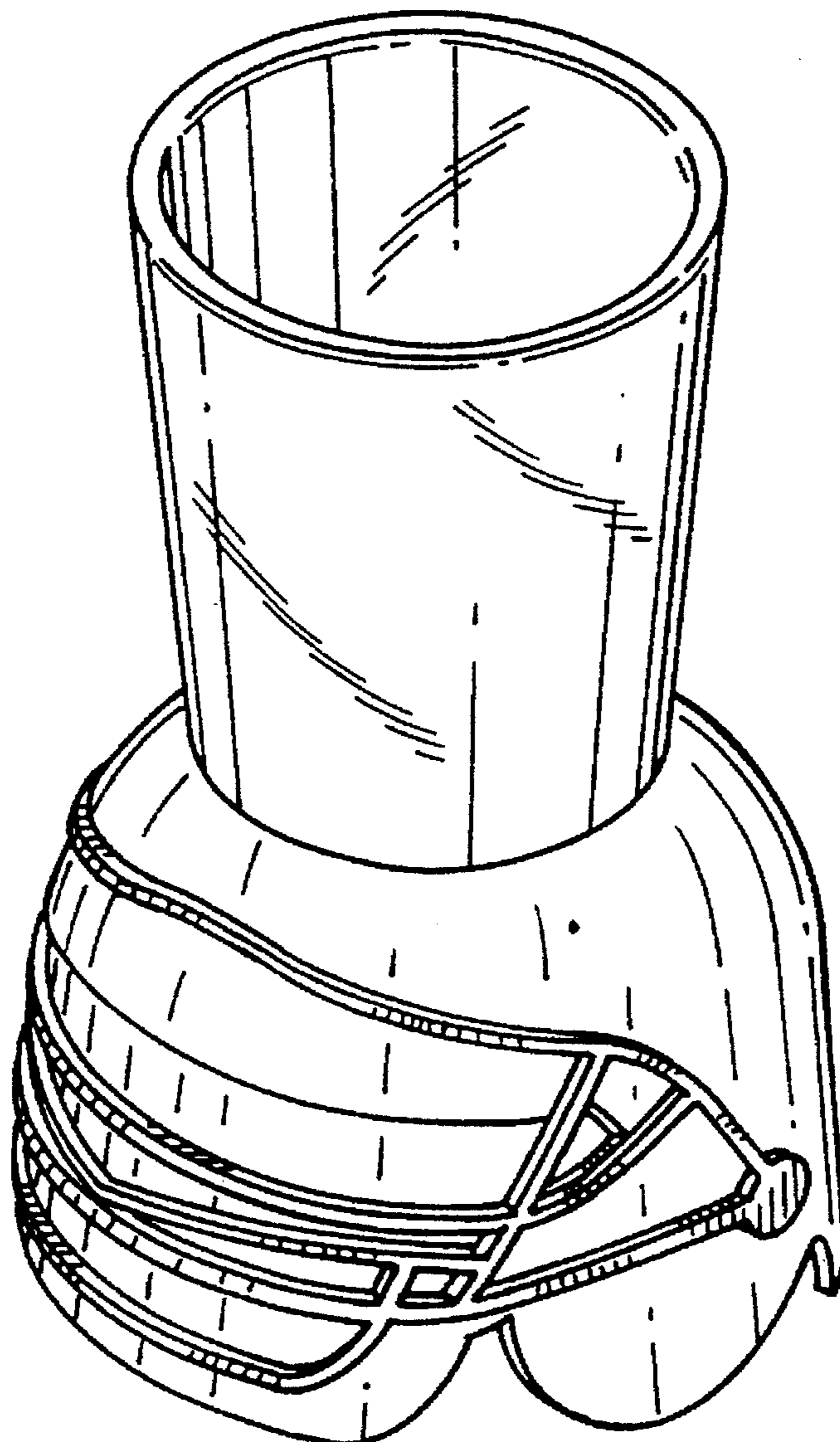
FIG. 5 is a bottom plan view thereof.

[56] References Cited

U.S. PATENT DOCUMENTS

D. 22,768 9/1893 Dungan D10/46.3
D. 157,364 2/1950 Freshley D10/46.2
D. 243,578 3/1977 Danat D7/515

1 Claim, 1 Drawing Sheet



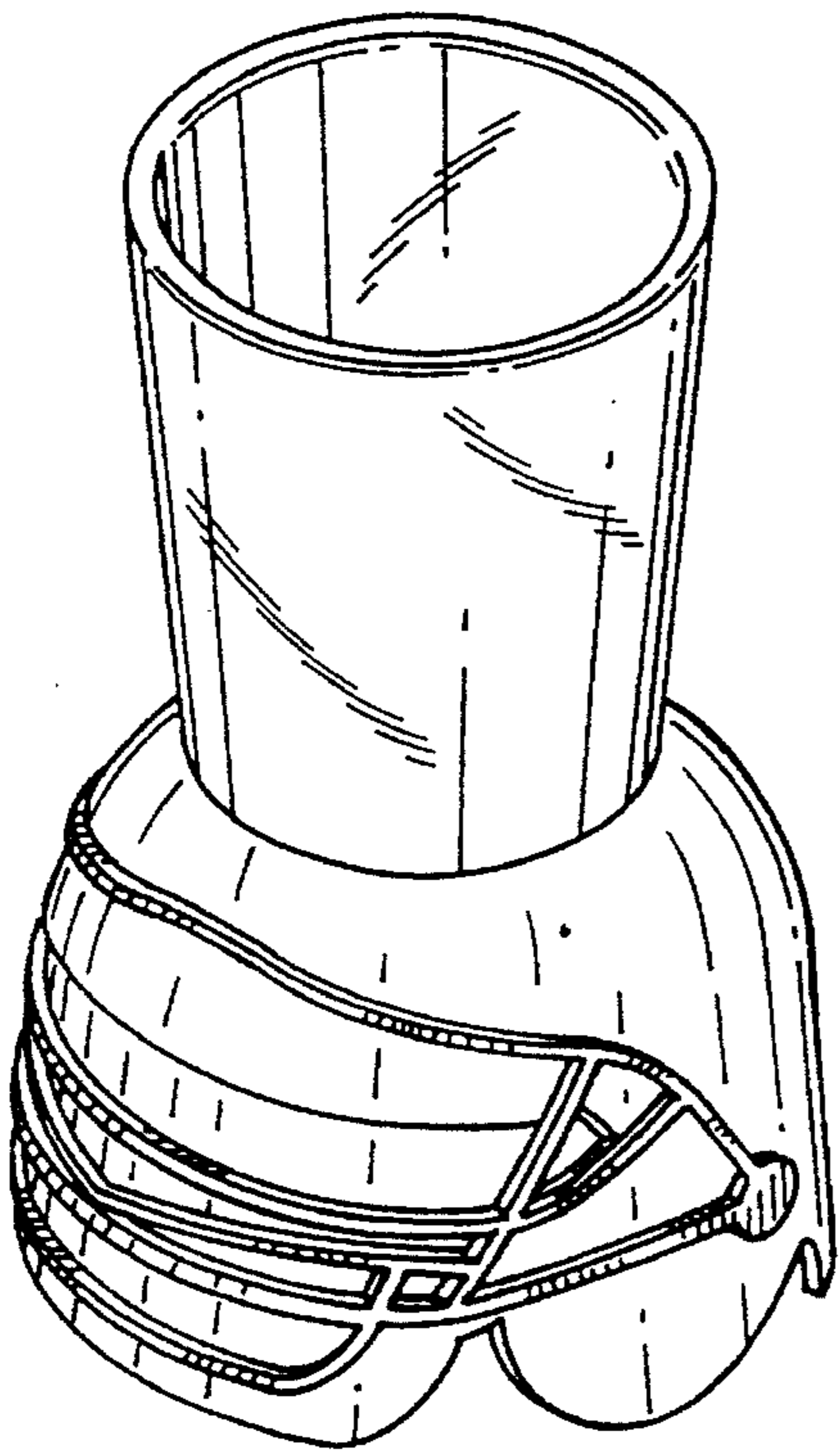


FIG. 1

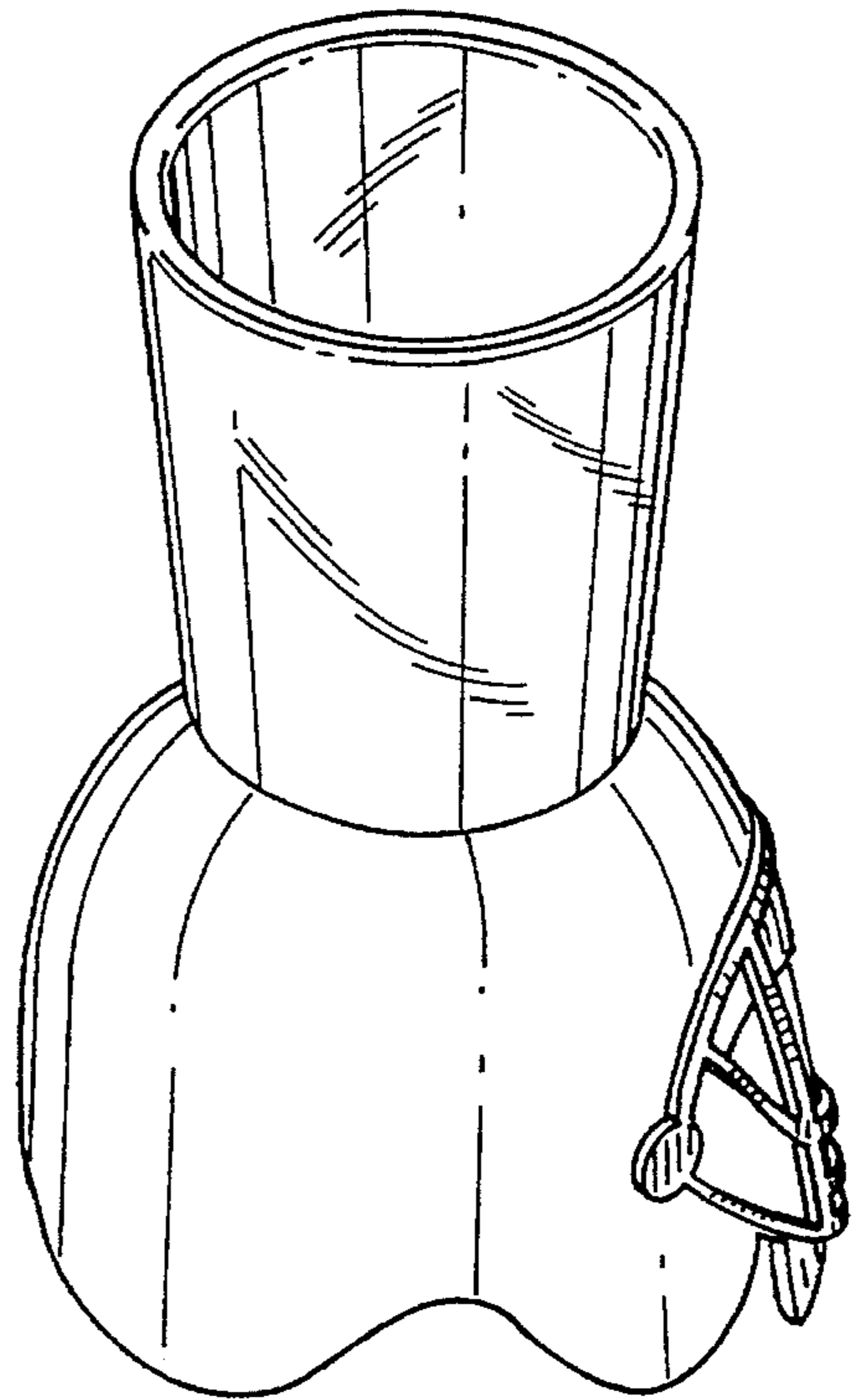


FIG. 2

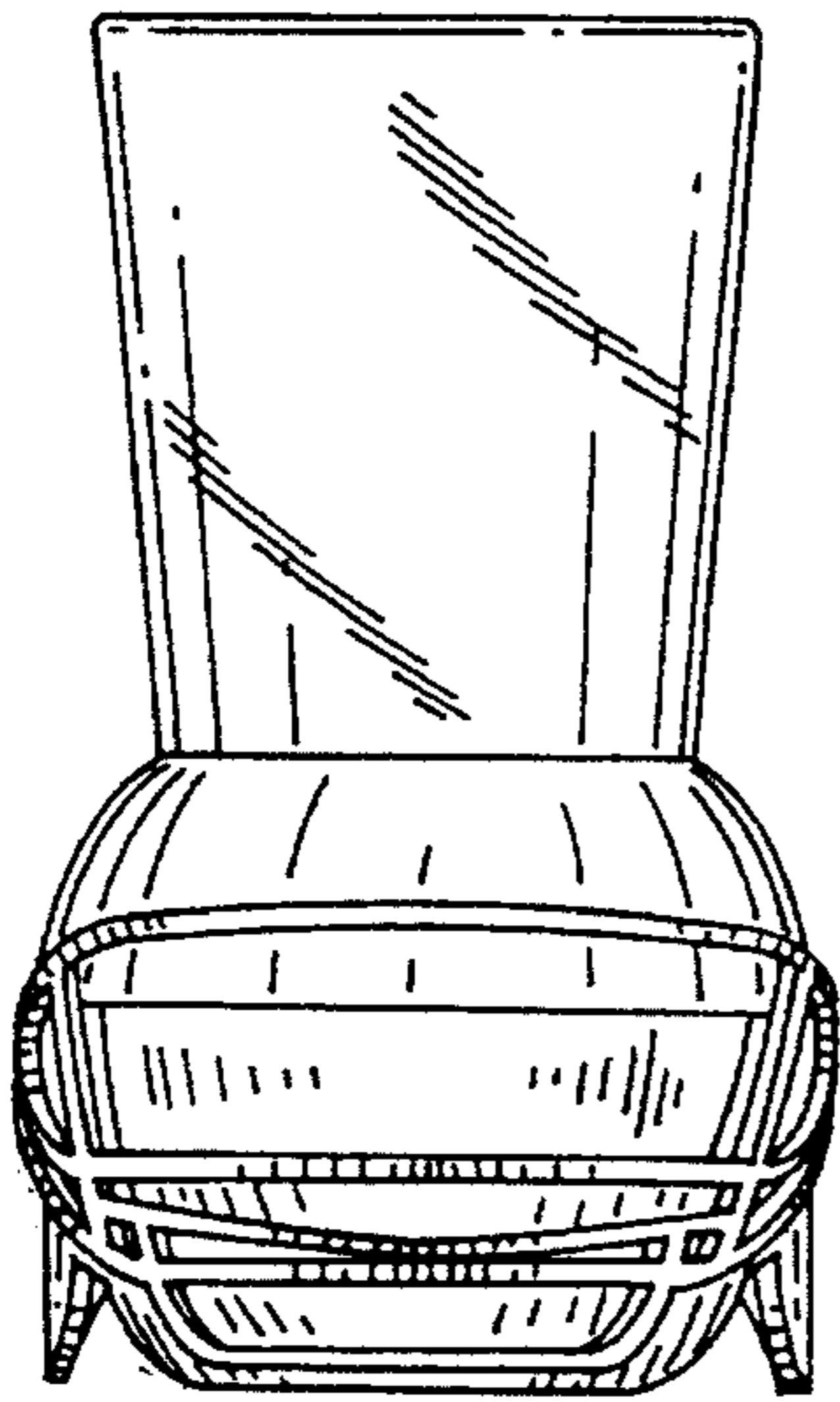


FIG. 3

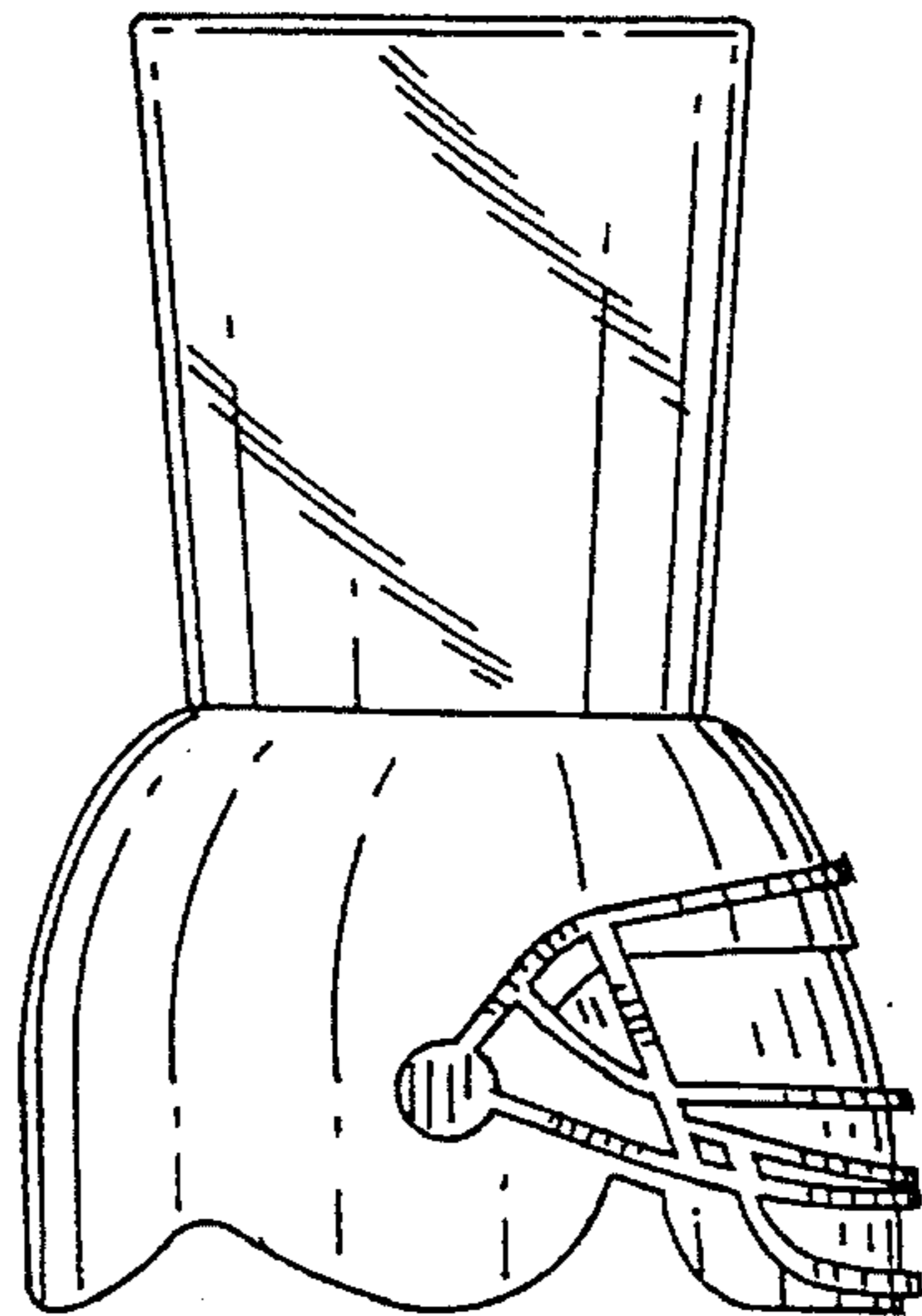


FIG. 4

FIG. 5

