



US00D369113S

United States Patent [19]

Goldman et al.

[11] Patent Number: **Des. 369,113**

[45] Date of Patent: ****Apr. 23, 1996**

[54] MEASURING SPOON

5,182,948 2/1993 Robbins et al. 73/426 X

[76] Inventors: **Sarah Goldman**, 701 Bayside Dr., Newport Beach, Calif. 92661; **Dave Behoteguy**, 209 Viking Ave., Brea, Calif. 92621

Primary Examiner—Terry A. Wallace
Attorney, Agent, or Firm—Gene Scott

[**] Term: **14 Years**

[57] **CLAIM**

The ornamental design for a measuring spoon, as shown and described.

[21] Appl. No.: **35,632**

DESCRIPTION

[22] Filed: **Mar. 3, 1995**

FIG. 1 is a perspective view of a measuring spoon showing our new design;

[52] U.S. Cl. **D10/46.2**

FIG. 2 is a top plan view thereof;

[58] Field of Search D10/46.2, 46.3; D7/691, 692; 73/426-429; 33/524; 30/324-328

FIG. 3 is a side elevation view thereof, the opposite side being the mirror image of this view;

[56] **References Cited**

U.S. PATENT DOCUMENTS

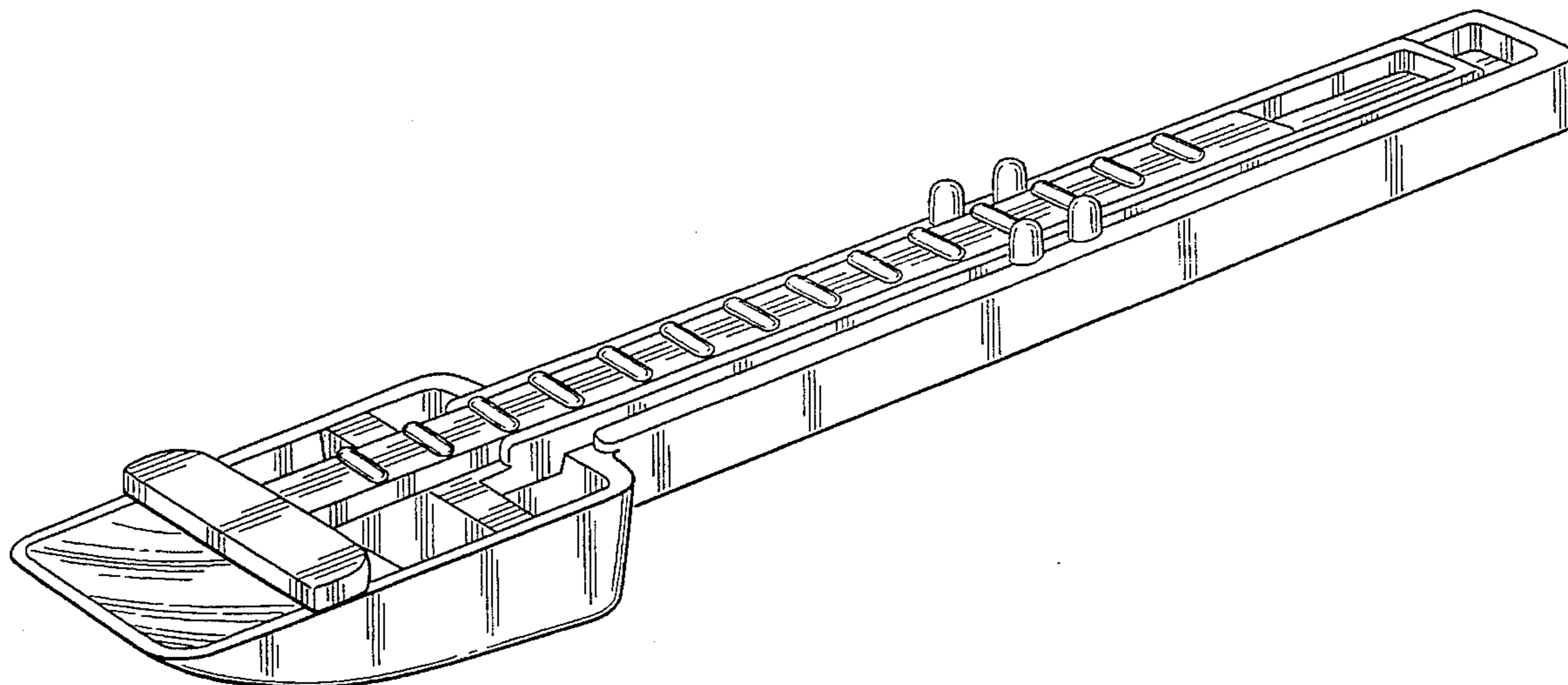
- D. 235,405 6/1975 Brown et al. D10/46.2
- D. 253,869 1/1980 Wells D10/46.2 X
- 2,882,732 4/1959 Cercone D10/46.2 X

FIG. 4 is a bottom plan view thereof;

FIG. 5 is a front elevation view thereof; and,

FIG. 6 is a rear elevation view thereof.

1 Claim, 4 Drawing Sheets



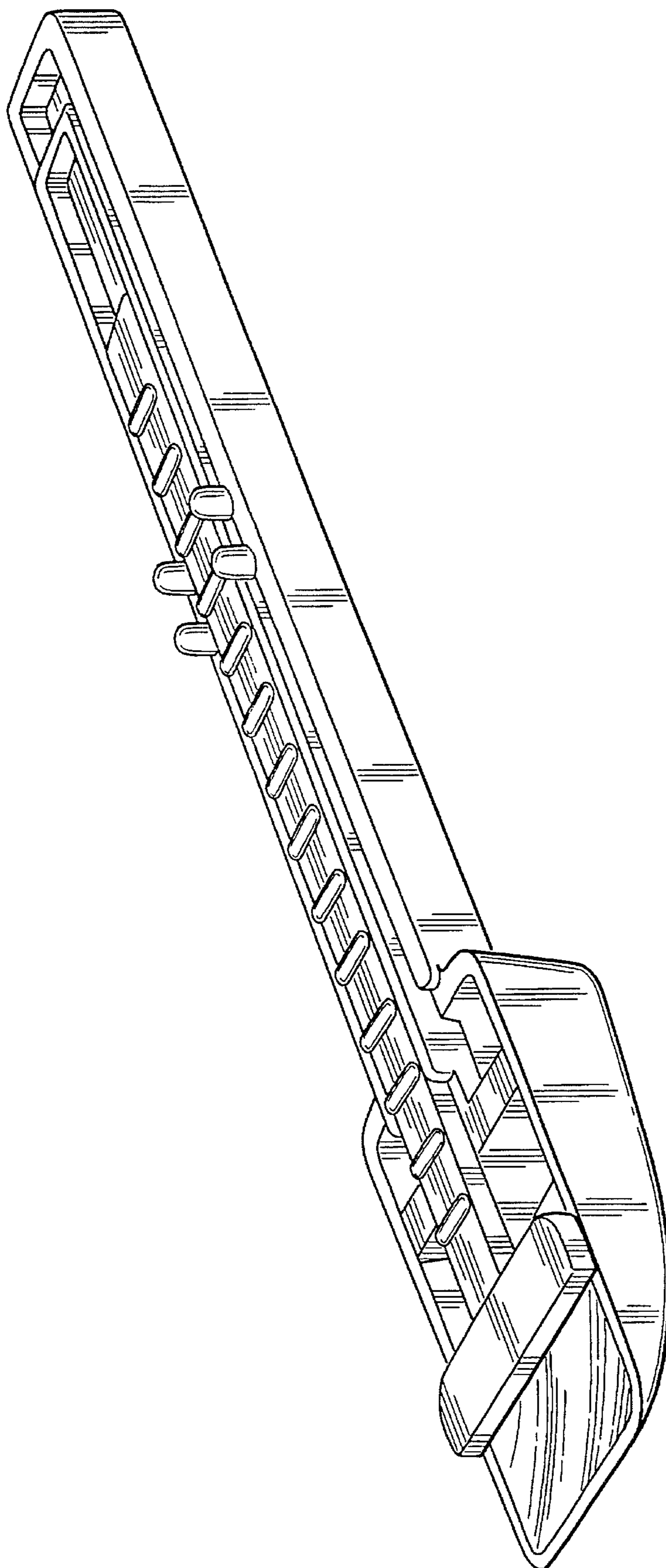


FIG. 1

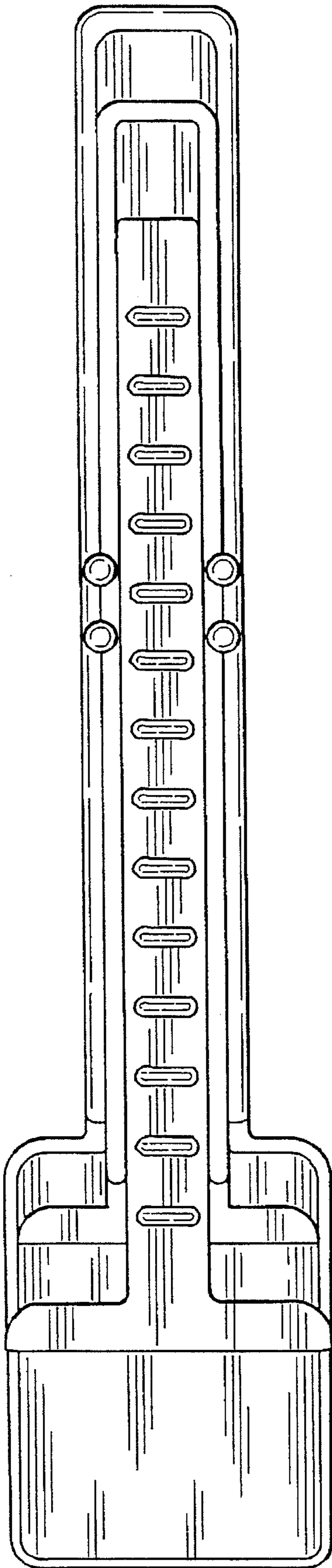


FIG. 2

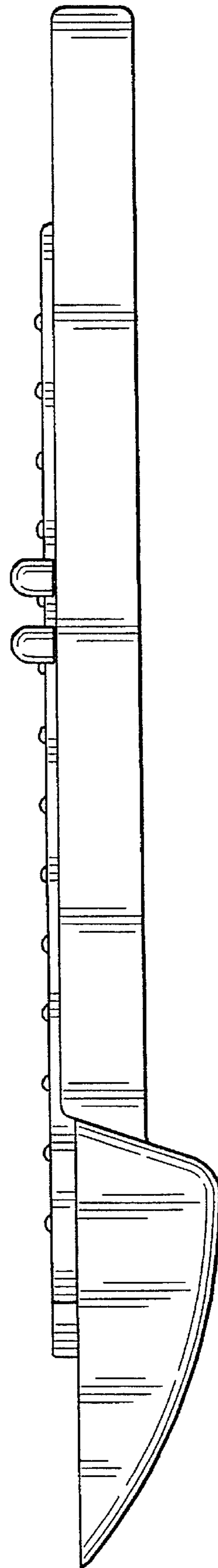


FIG. 3

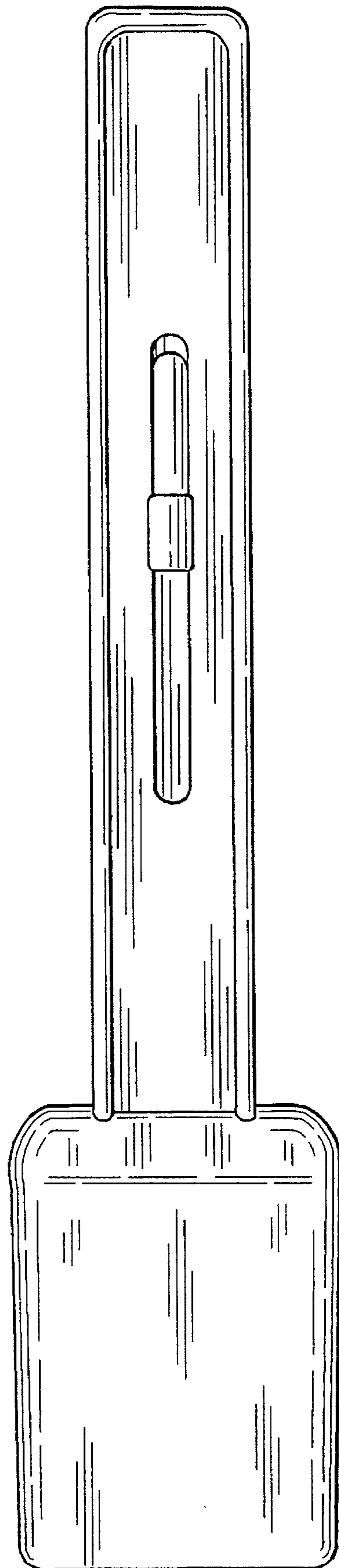


FIG. 4

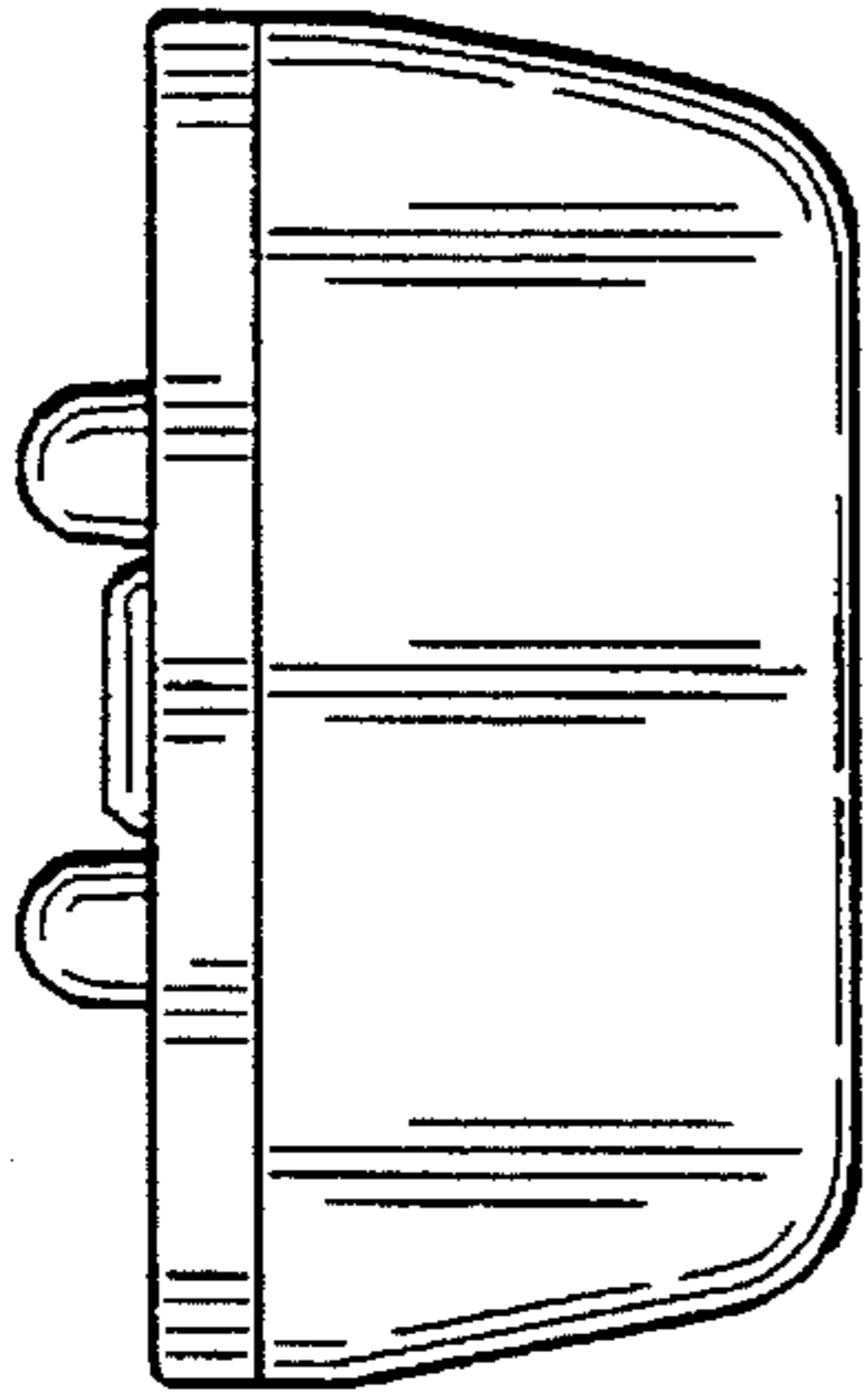


FIG. 5

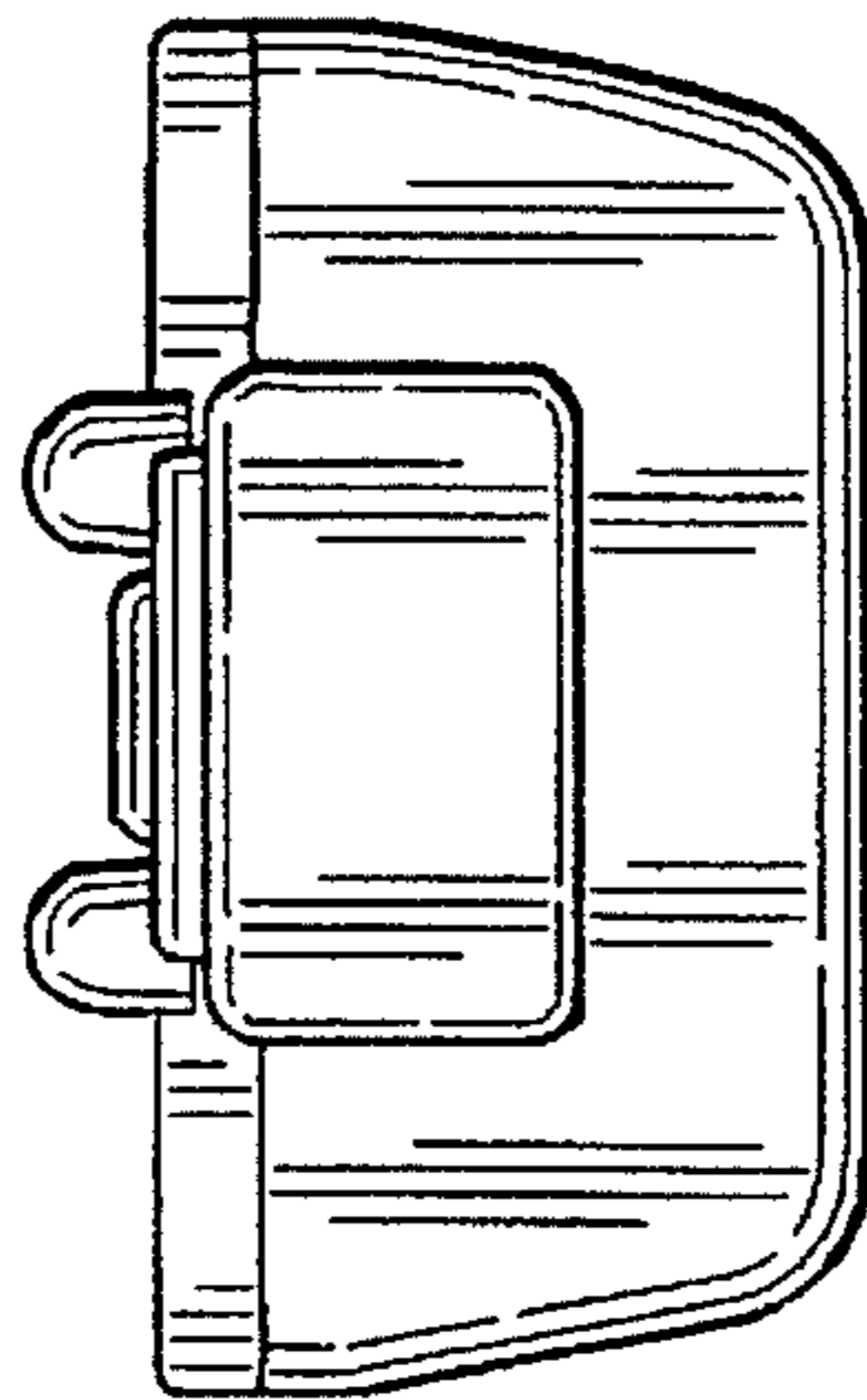


FIG. 6