



US00D369110S

# United States Patent [19] Dyer

[11] Patent Number: **Des. 369,110**

[45] Date of Patent: **\*\*Apr. 23, 1996**

[54] **BOTTLE**

5,224,614 7/1993 Bono et al. .... 215/100 A

[75] Inventor: **John J. Dyer**, Shoreview, Minn.

### FOREIGN PATENT DOCUMENTS

[73] Assignee: **Minnesota Mining and Manufacturing Company**, St. Paul, Minn.

0356829A1 3/1986 European Pat. Off. .... B65D 23/10  
2373486 12/1977 France ..... B67D 3/02  
797340 3/1957 United Kingdom .

[\*\*] Term: **14 Years**

### OTHER PUBLICATIONS

[21] Appl. No.: **7,345**

SodaMate's Instruction Manual For The Care And Use Of Your Carbonated Beverage Dispenser; Model S100 (no date available).

[22] Filed: **Apr. 20, 1993**

Hydro Systems Company's brochure on "Hydro OmniClean Streamline Series," (no date available).

[52] U.S. Cl. .... **D9/520; D9/539; D9/570**

[58] Field of Search ..... D9/520, 542, 543, D9/570, 572, 573, 574; D6/545, 544, 542; 215/1 R, 1 C; 222/181

*Primary Examiner*—Lucy Lieberman  
*Attorney, Agent, or Firm*—Gary L. Griswold; Walter N. Kim; Leland D. Schultz

[56] **References Cited**

### [57] CLAIM

#### U.S. PATENT DOCUMENTS

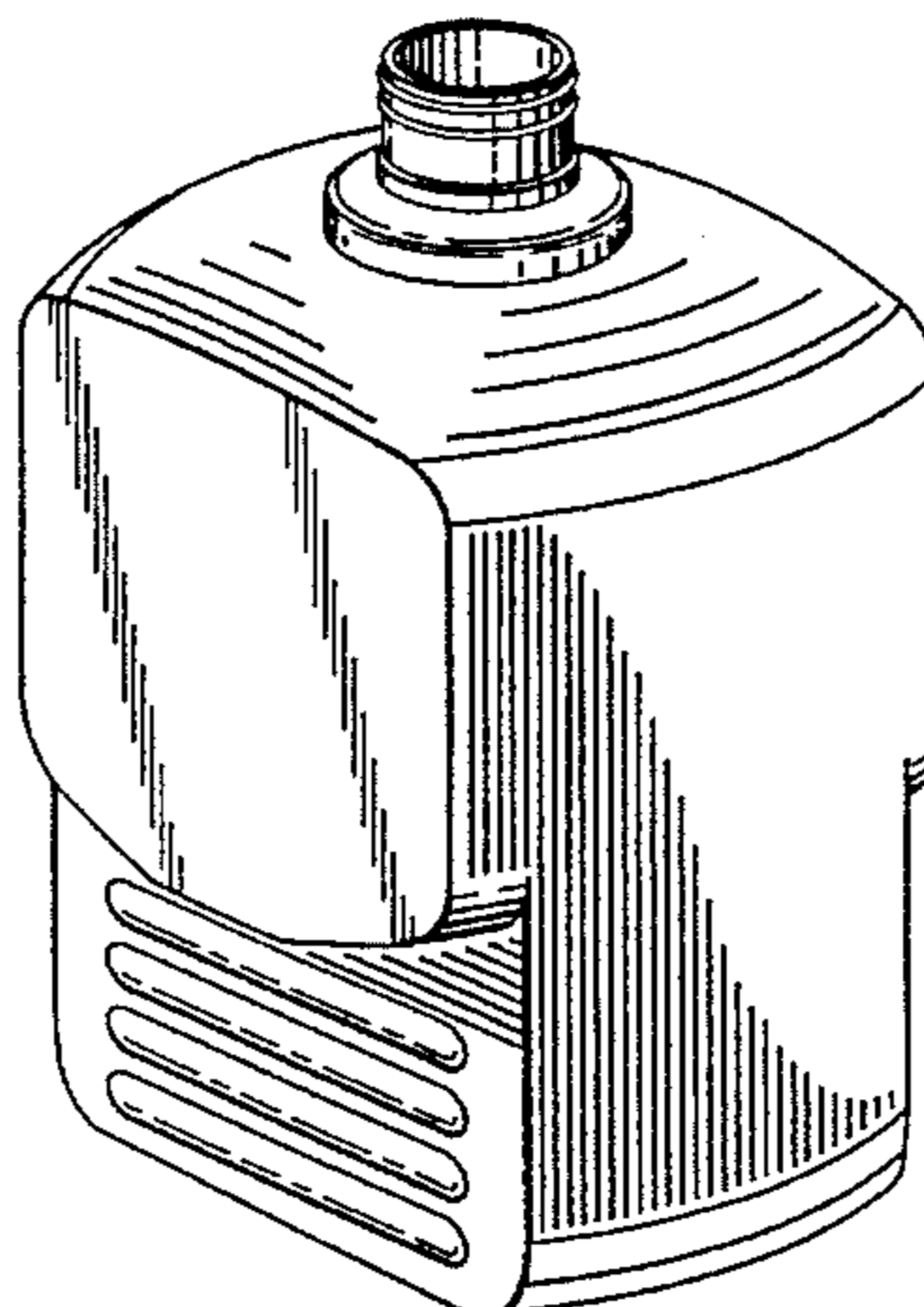
The ornamental design for a bottle, as shown and described.

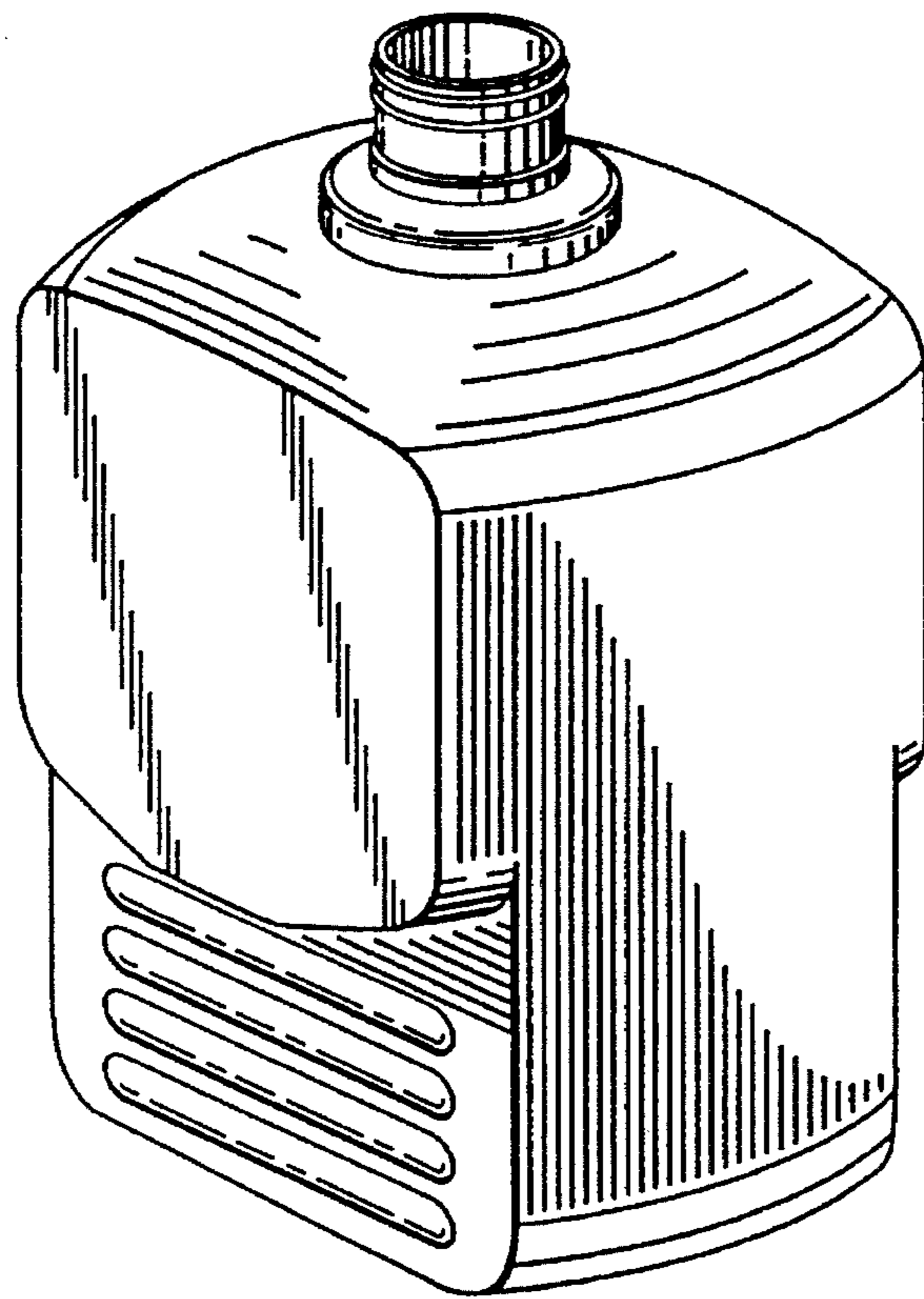
#### DESCRIPTION

D. 207,069	2/1967	Stettler	.....	D9/542 X
D. 298,514	11/1988	Dole et al.	.....	D9/403
D. 304,552	11/1989	Lippman	.....	D9/521
D. 330,483	10/1992	Plester et al.	.....	D9/520 X
D. 331,516	12/1992	Waring	.....	D9/520 X
D. 341,775	11/1993	Wolde et al.	.....	D9/337
D. 342,176	12/1993	Steiner et al.	.....	D6/545
3,225,950	12/1965	Josephsen et al.	.....	215/1
3,536,500	10/1970	Cleereman et al.	.....	99/171
3,669,315	6/1972	Kuckens	.....	222/148
4,113,129	9/1978	Cambio, Jr.	.....	215/1 C
4,328,909	5/1982	Jeans	.....	222/54
4,408,701	11/1983	Jeans	.....	222/399
4,421,804	12/1983	Mori et al.	.....	428/35
4,488,584	12/1984	Hestehave et al.	.....	141/339
4,523,697	6/1985	Jeans	.....	222/185
4,570,830	2/1986	Jeans	.....	222/185
4,624,395	11/1986	Baron et al.	.....	222/129.1
4,637,439	1/1987	Jeans	.....	141/18
4,664,292	5/1987	Jeans	.....	222/1
4,691,822	9/1987	Malancon, Jr.	.....	206/229
4,805,793	2/1989	Brandt et al.	.....	215/10
4,805,808	2/1989	Larson	.....	222/185
4,865,211	9/1989	Hollingsworth	.....	220/8
4,874,023	10/1989	Ulm	.....	141/346
4,993,565	2/1991	Ota et al.	.....	215/1 C
5,067,622	11/1991	Garver et al.	.....	215/1 C
5,123,554	6/1992	Arvidson et al.	.....	215/12.2
5,141,121	8/1992	Brown et al.	.....	215/100 A
5,147,615	9/1992	Bird et al.	.....	422/261
5,222,615	7/1993	Ota et al.	.....	215/1 C

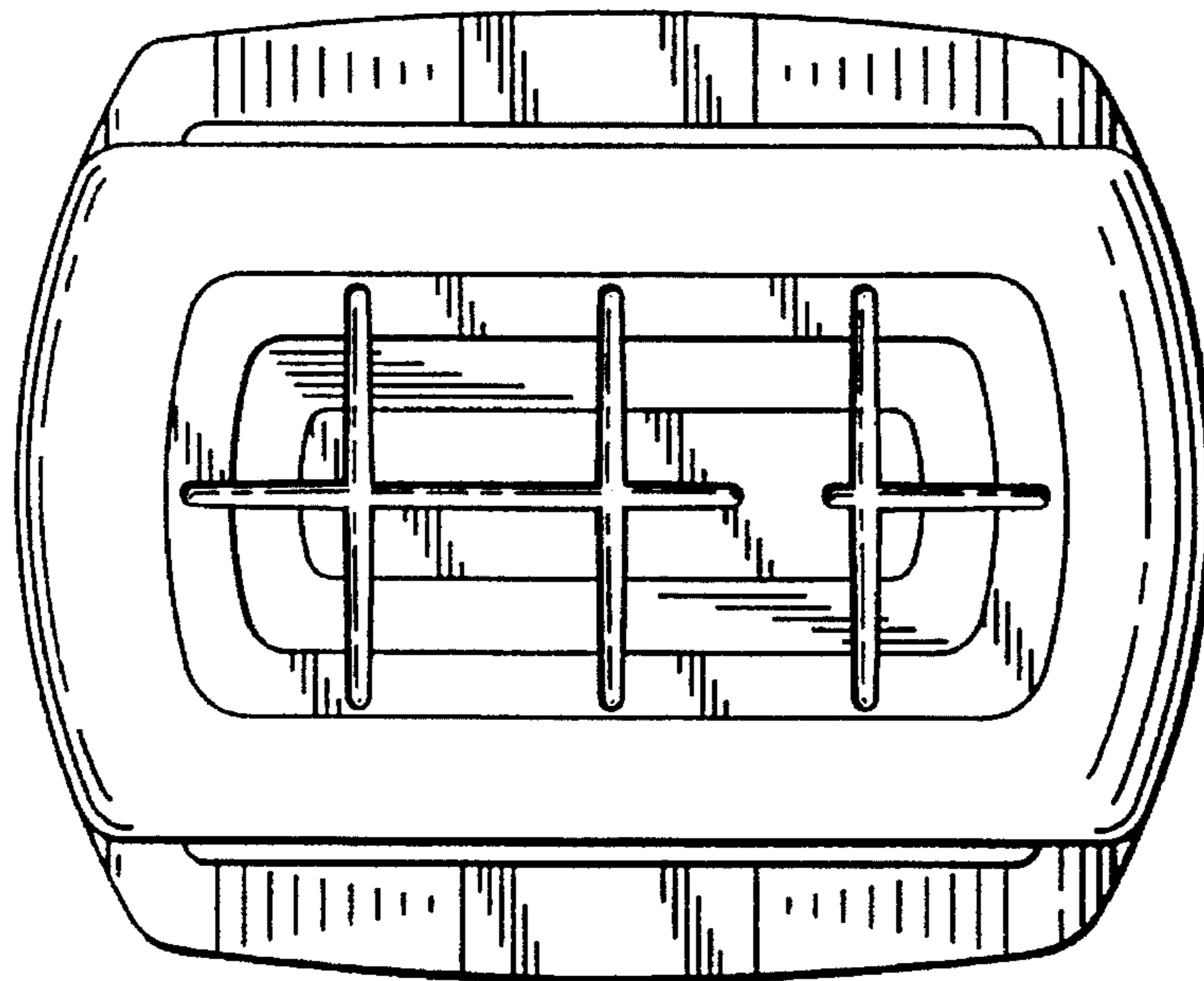
FIG. 1 is an isometric view of a first embodiment of the bottle of the present invention;  
 FIG. 2 is a magnified bottom view of the bottle of FIG. 1;  
 FIG. 3 is a front view of the bottle of FIG. 1, the rear view is the same;  
 FIG. 4 is a right side view of the bottle of FIG. 1, the left side view is the same;  
 FIG. 5 is a top view of the bottle of FIG. 1;  
 FIG. 6 is an isometric view of an alternate embodiment of the bottle of the present invention;  
 FIG. 7 is a magnified bottom view of the bottle of FIG. 6;  
 FIG. 8 is a left side view of the bottle of FIG. 6;  
 FIG. 9 is a front view of the bottle of FIG. 6;  
 FIG. 10 is a back view of the bottle of FIG. 6;  
 FIG. 11 is a right side view of the bottle of FIG. 6;  
 FIG. 12 is a top view of the bottle of FIG. 6;  
 FIG. 13 is an isometric view of a second alternate embodiment of the bottle of the present invention;  
 FIG. 14 is a magnified bottom view of the bottle of FIG. 13;  
 FIG. 15 is a left side view of the bottle of FIG. 13;  
 FIG. 16 is a front side view of the bottle of FIG. 13;  
 FIG. 17 is a back view of the bottle of FIG. 13;  
 FIG. 18 is a right side view of the bottle of FIG. 13; and,  
 FIG. 19 is a top view of the bottle of FIG. 13.

**1 Claim, 11 Drawing Sheets**

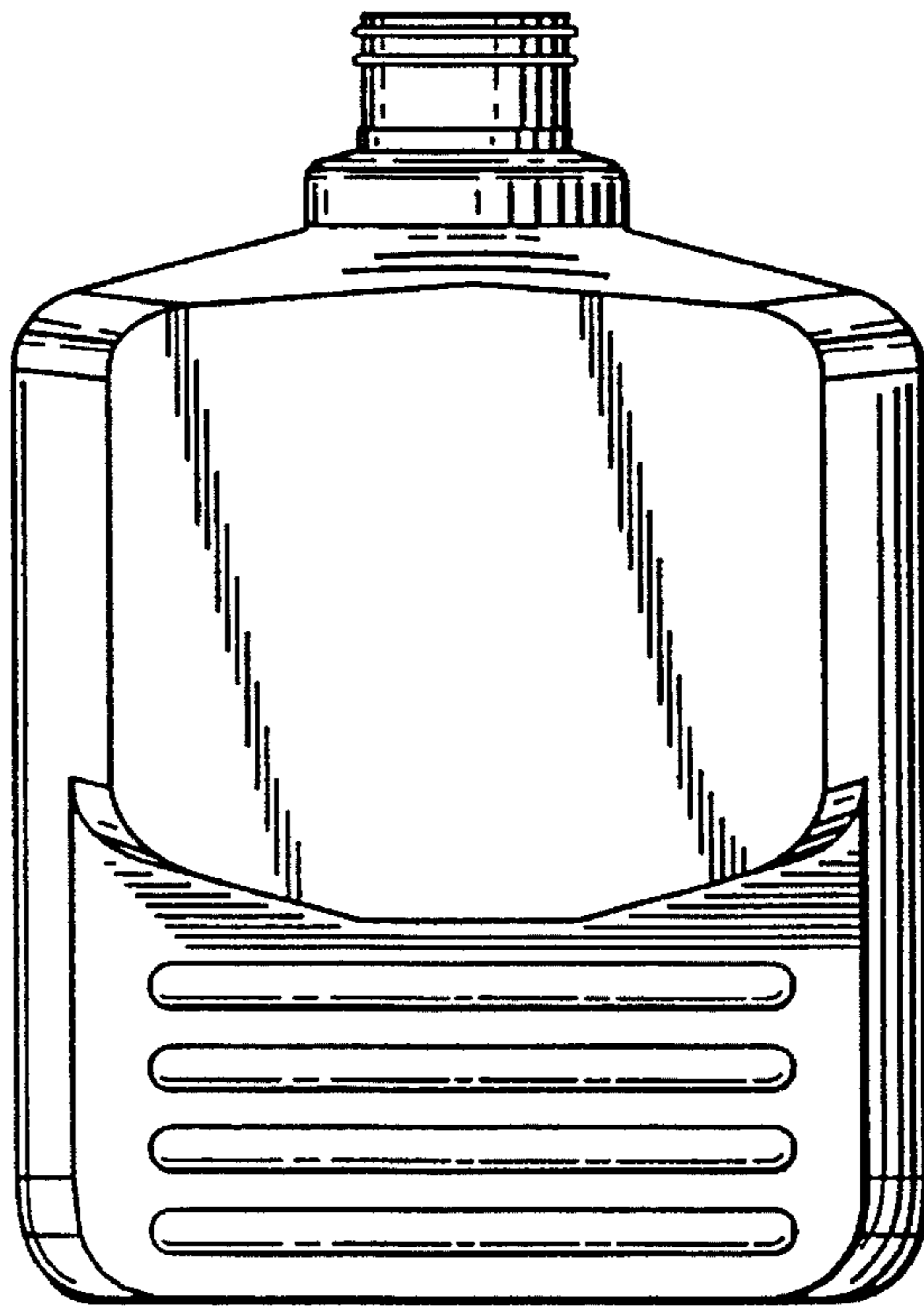




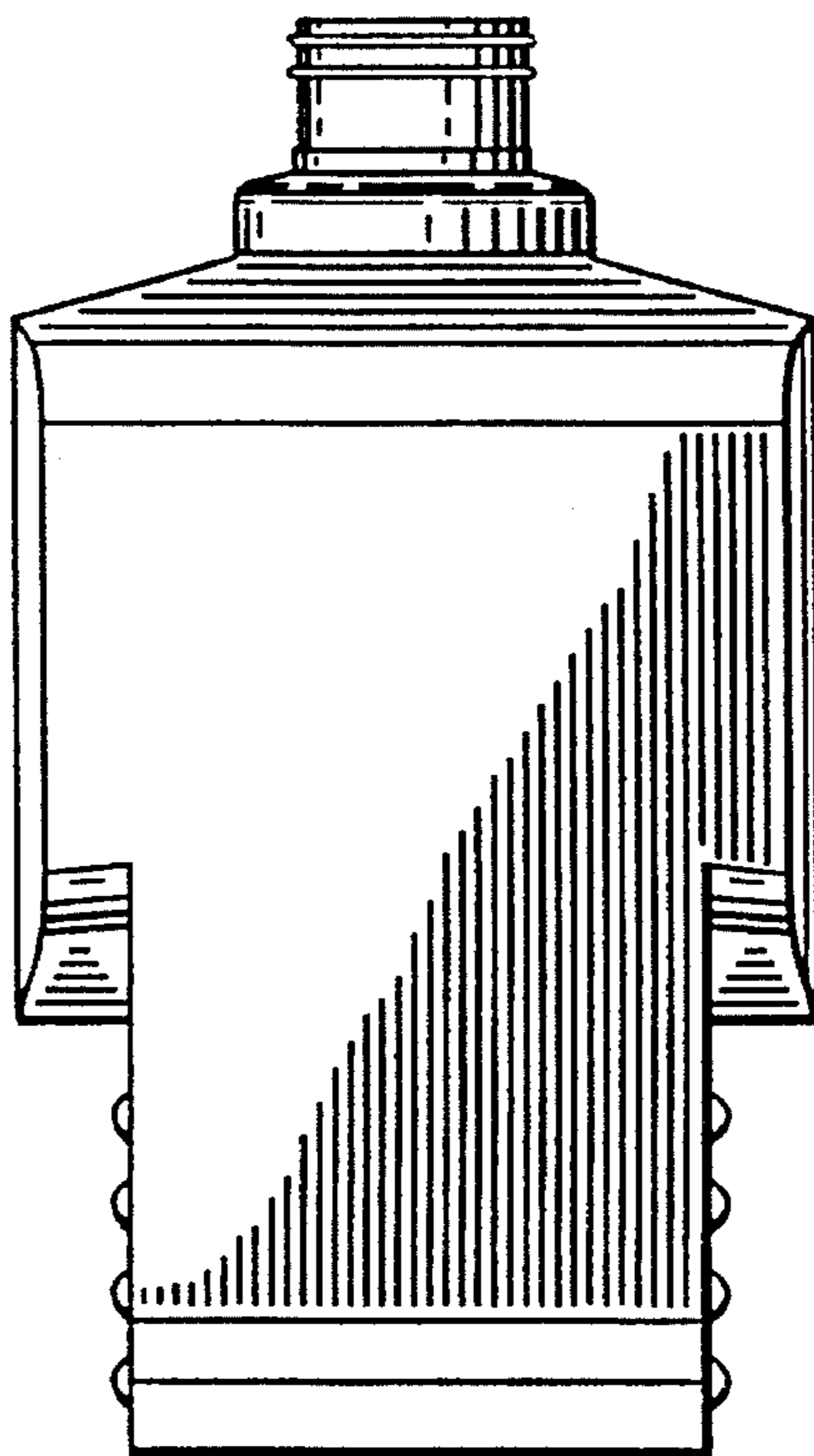
*Fig. 1*



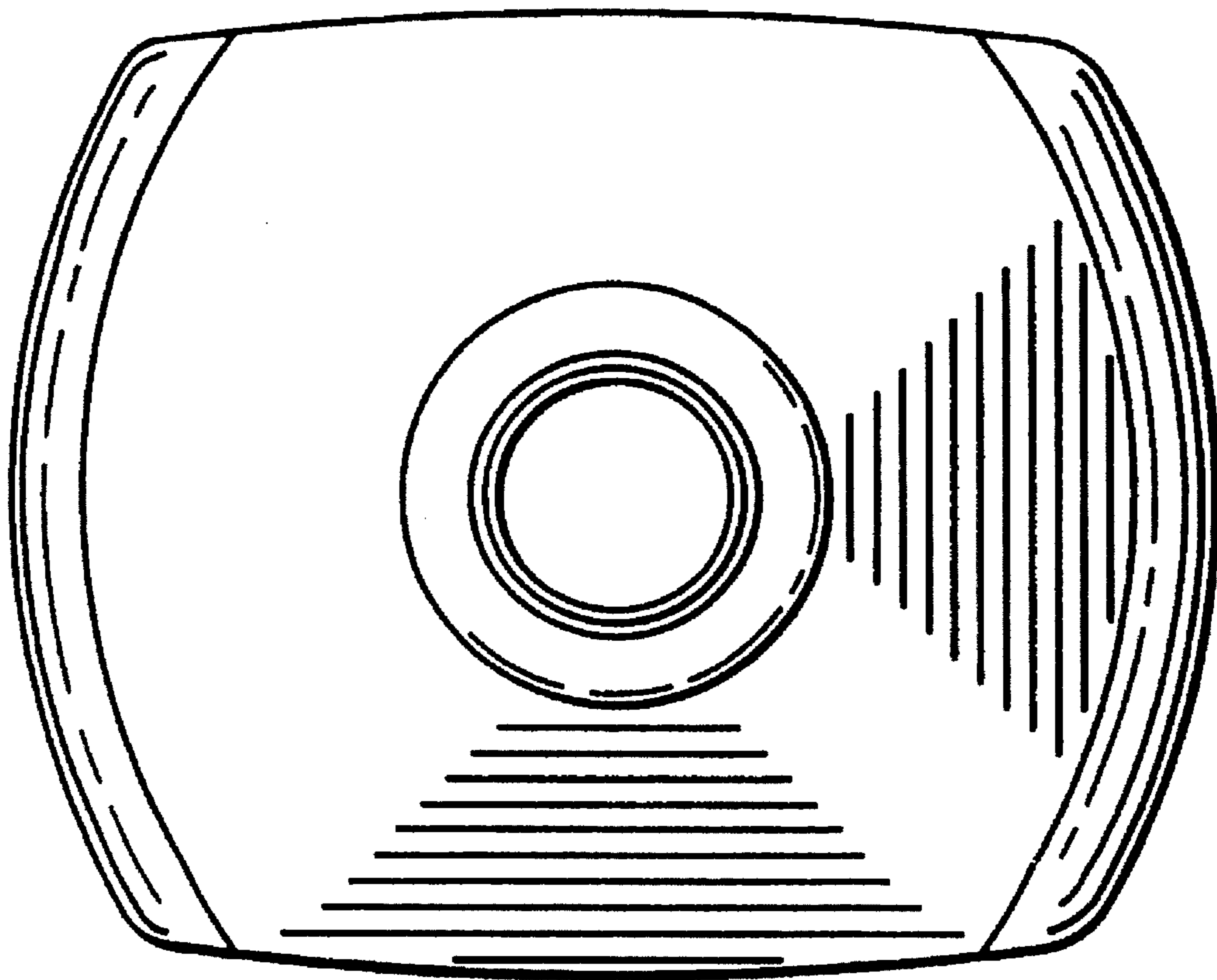
*Fig. 2*



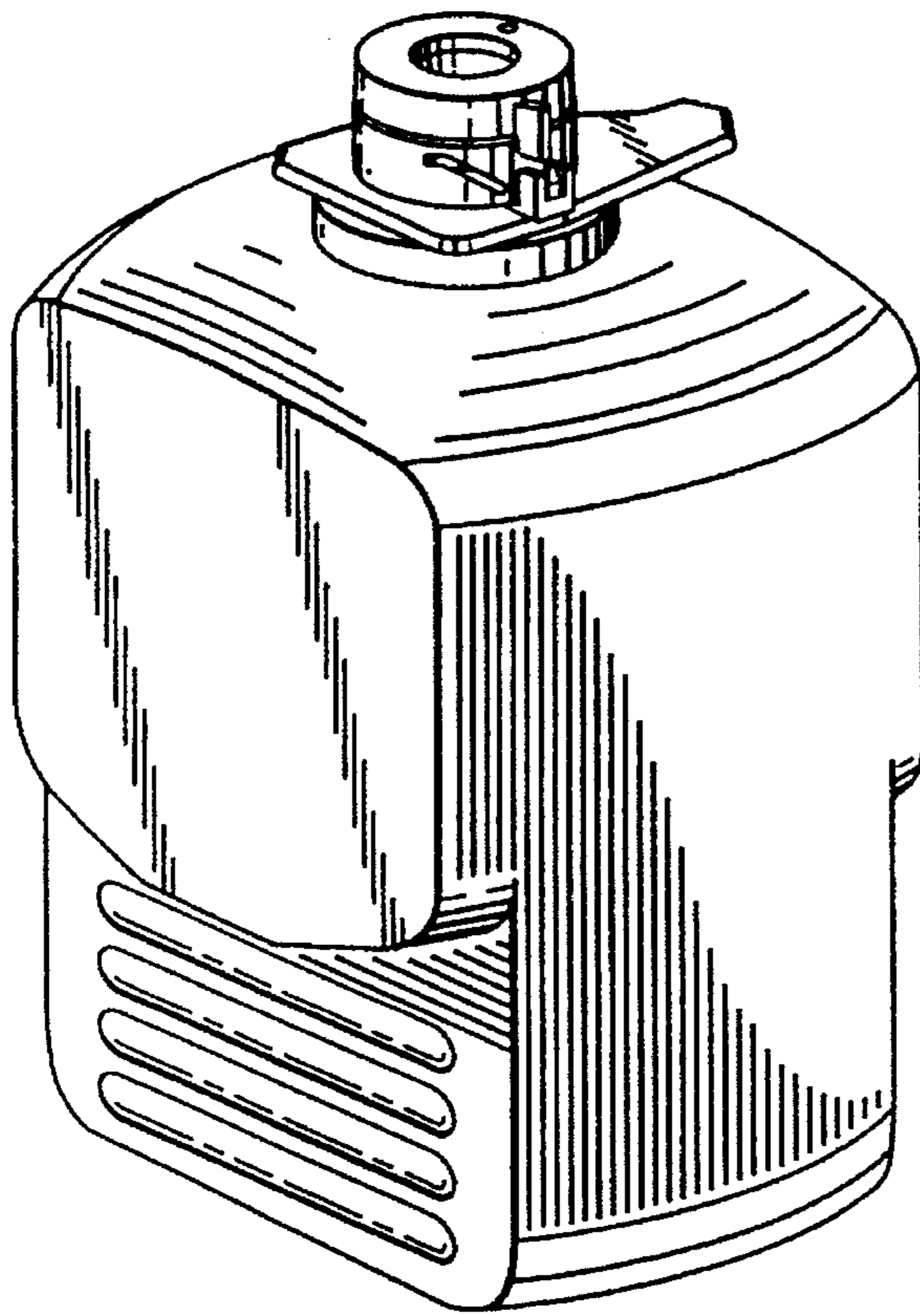
*Fig. 3*



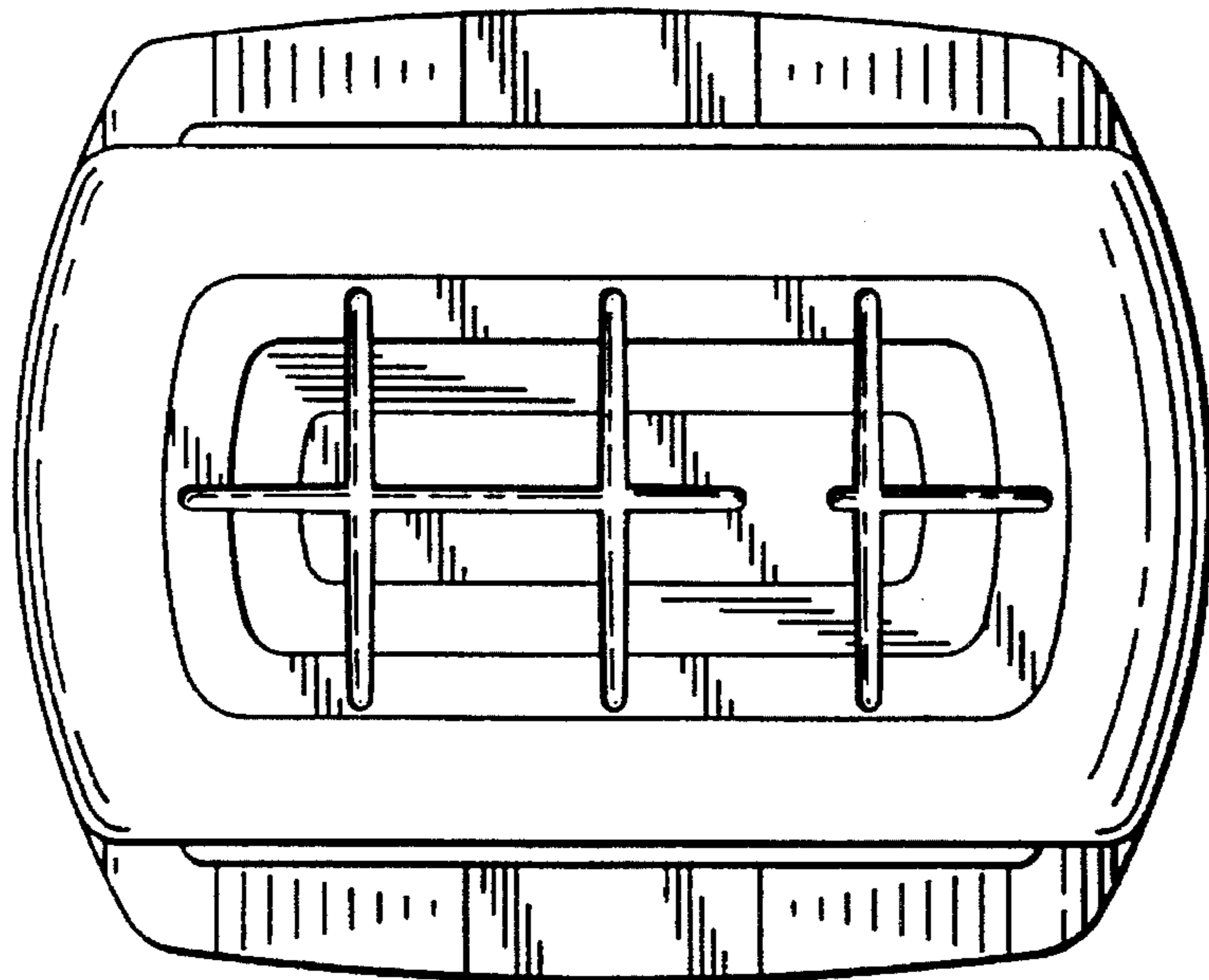
*Fig. 4*



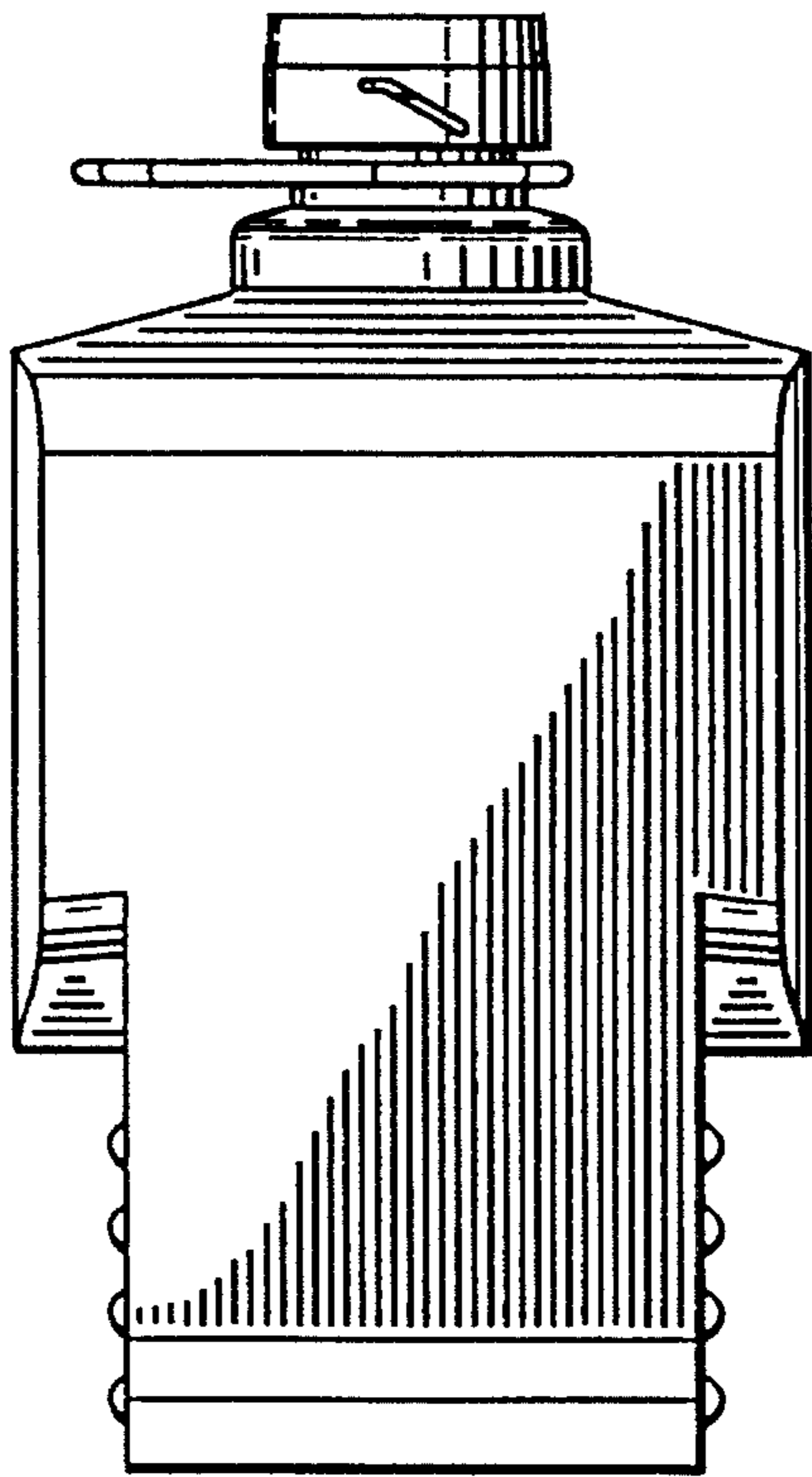
***Fig. 5***



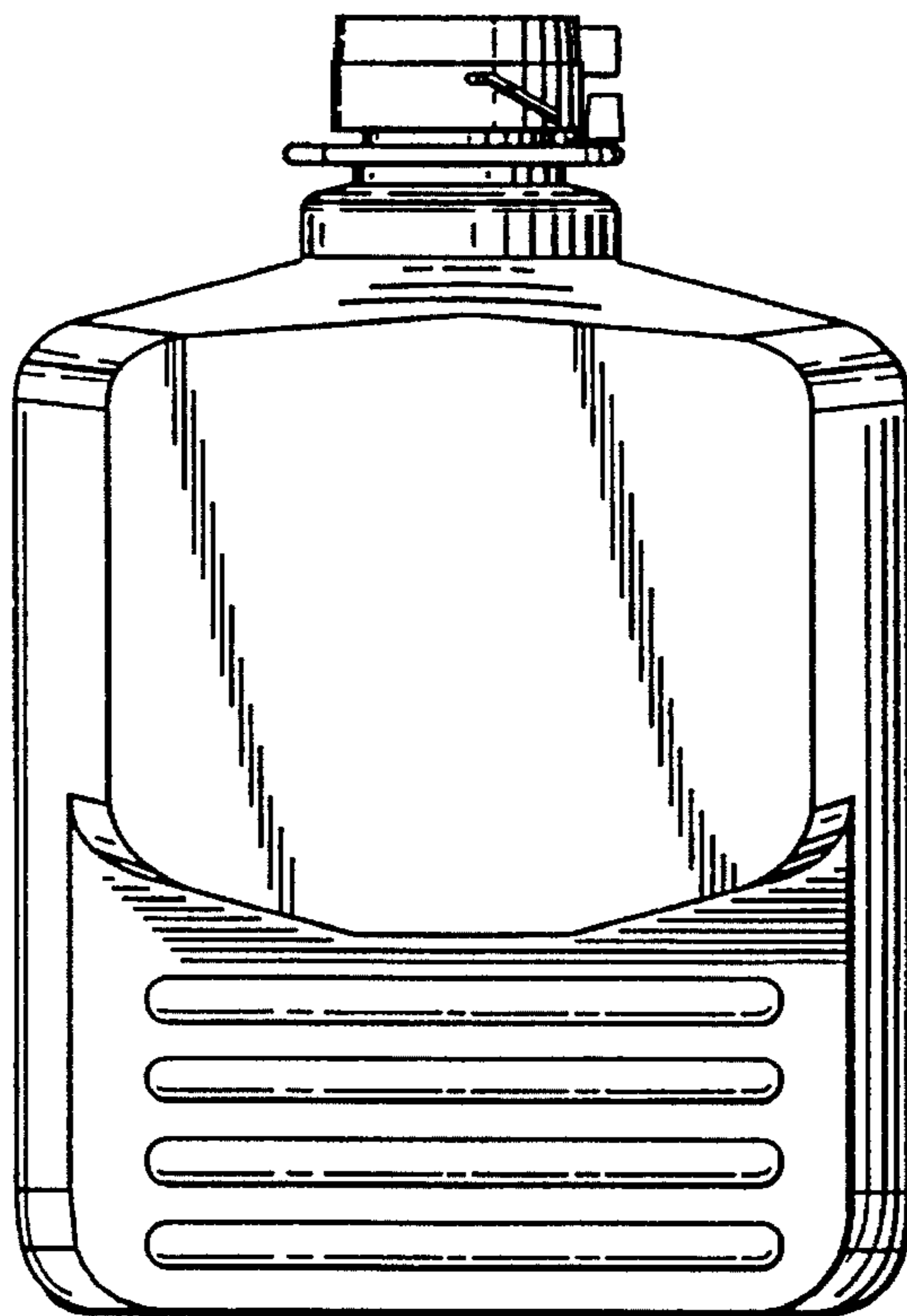
*Fig. 6*



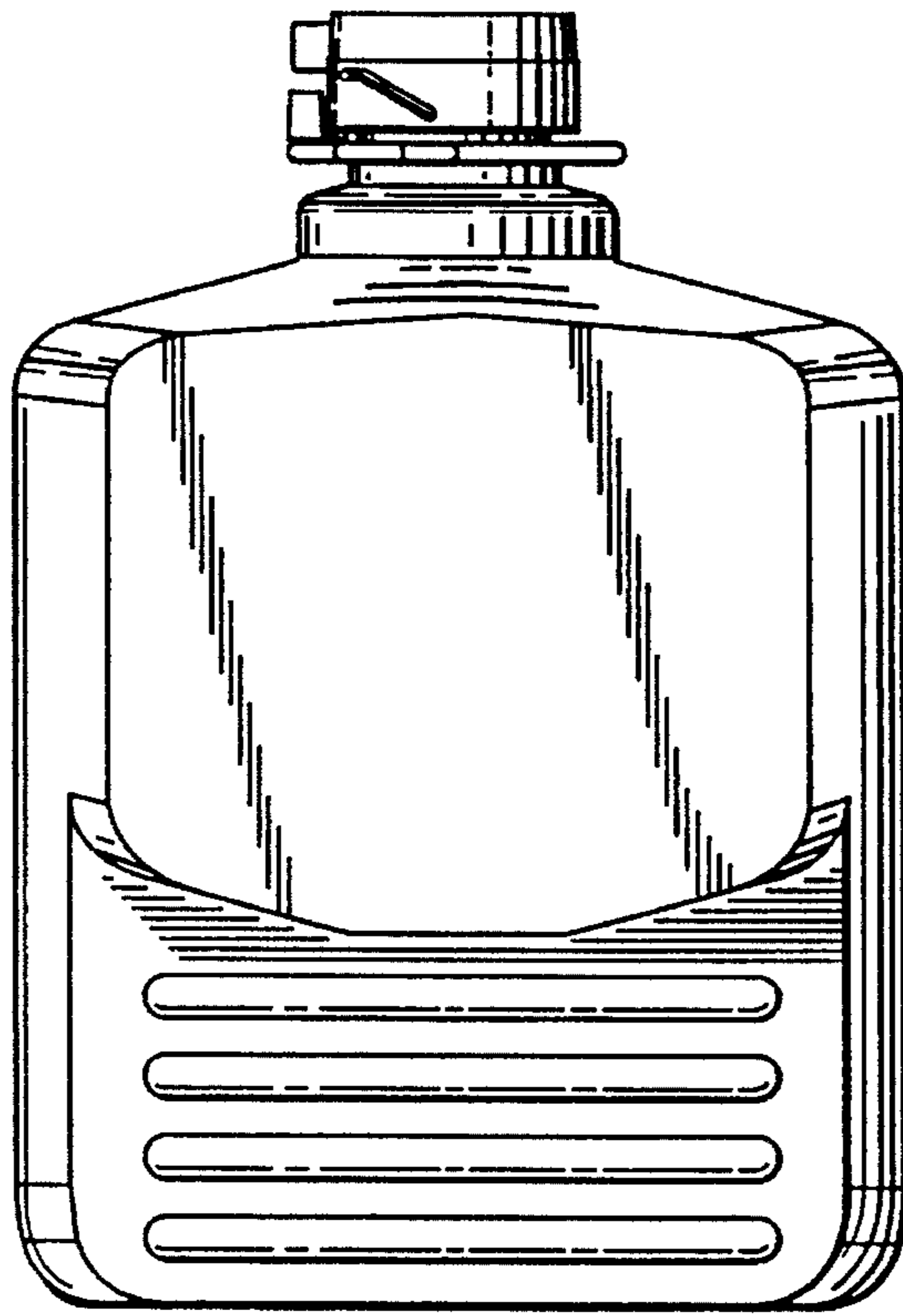
*Fig. 7*



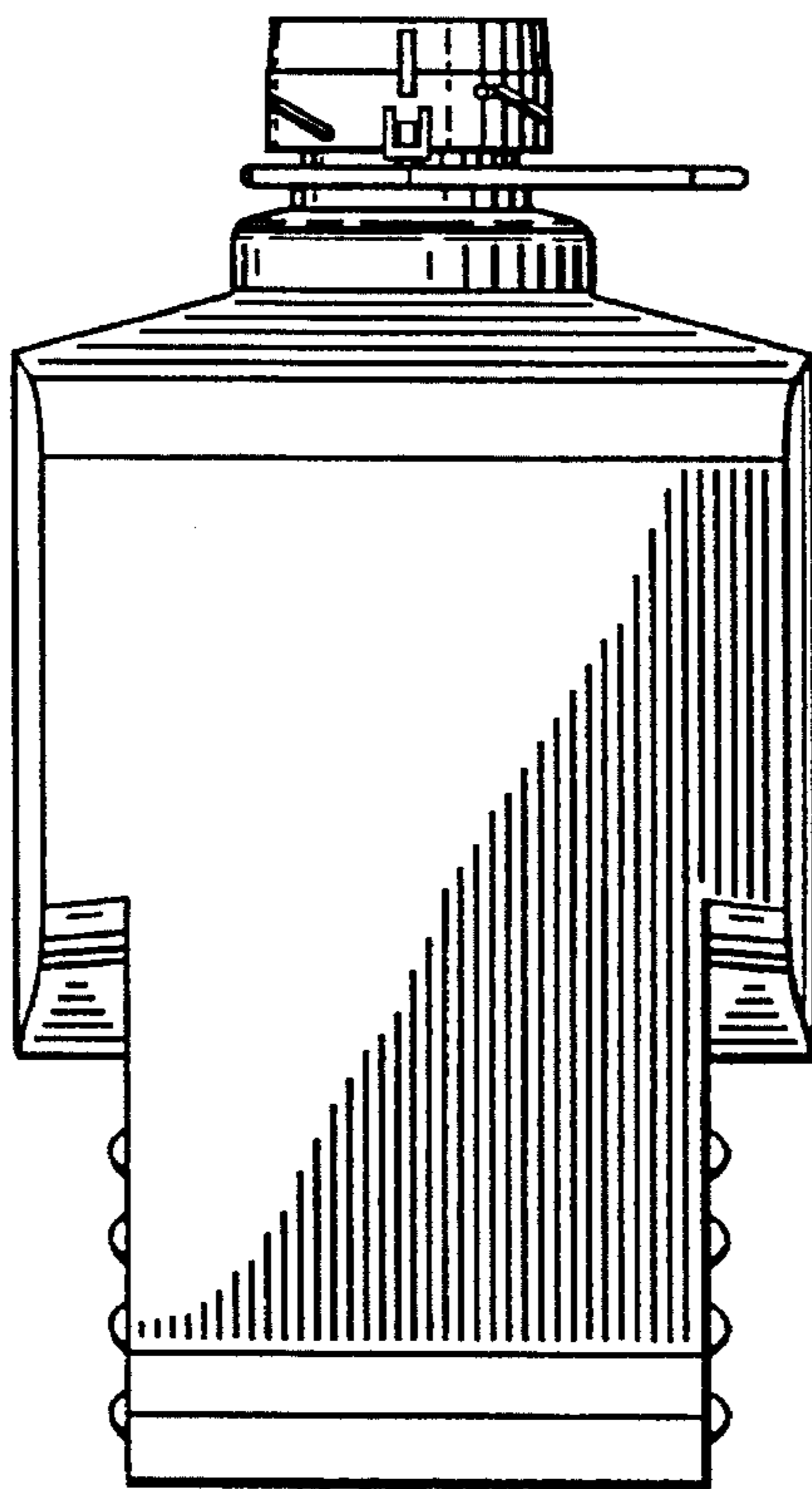
*Fig. 8*



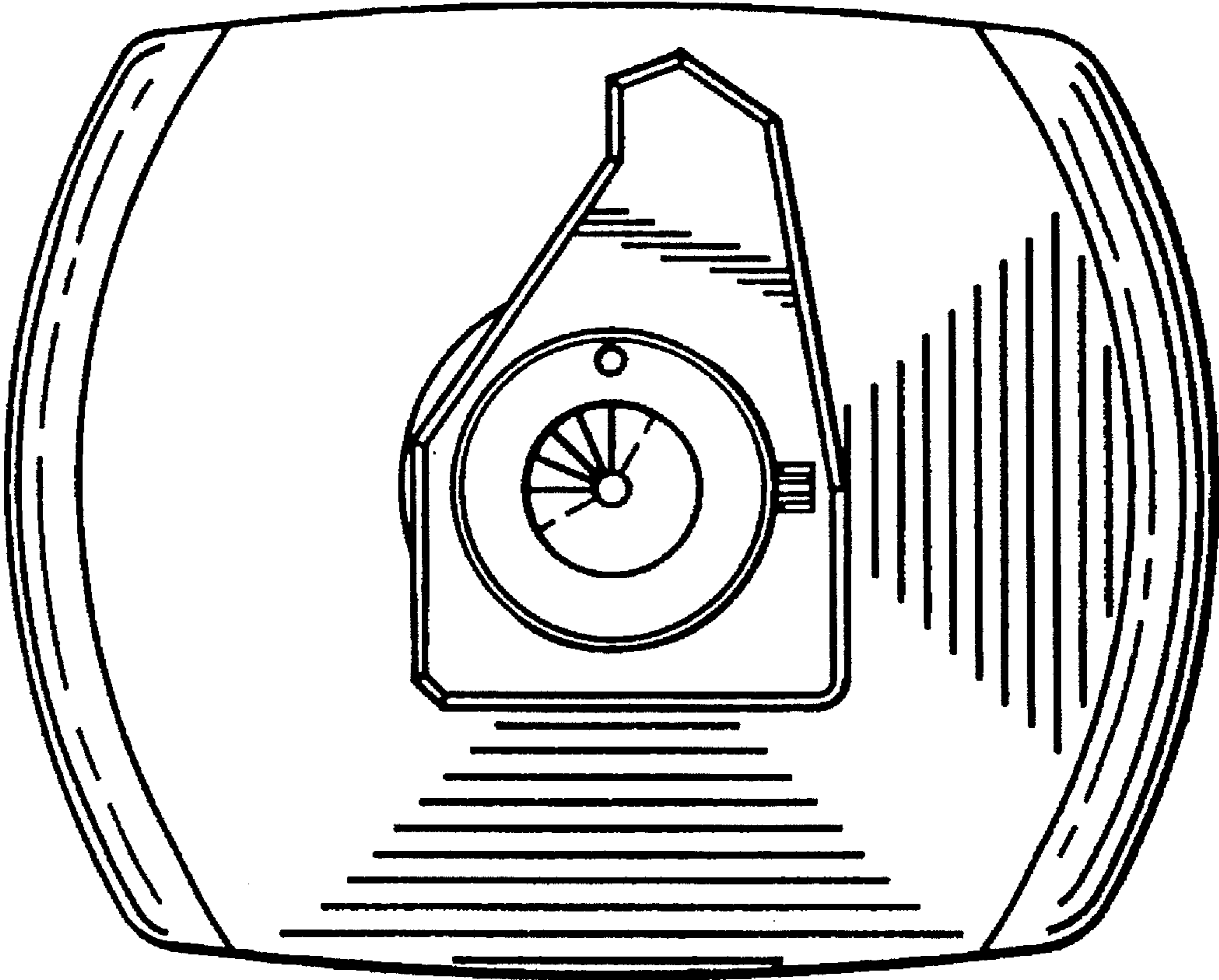
*Fig. 9*



*Fig. 10*

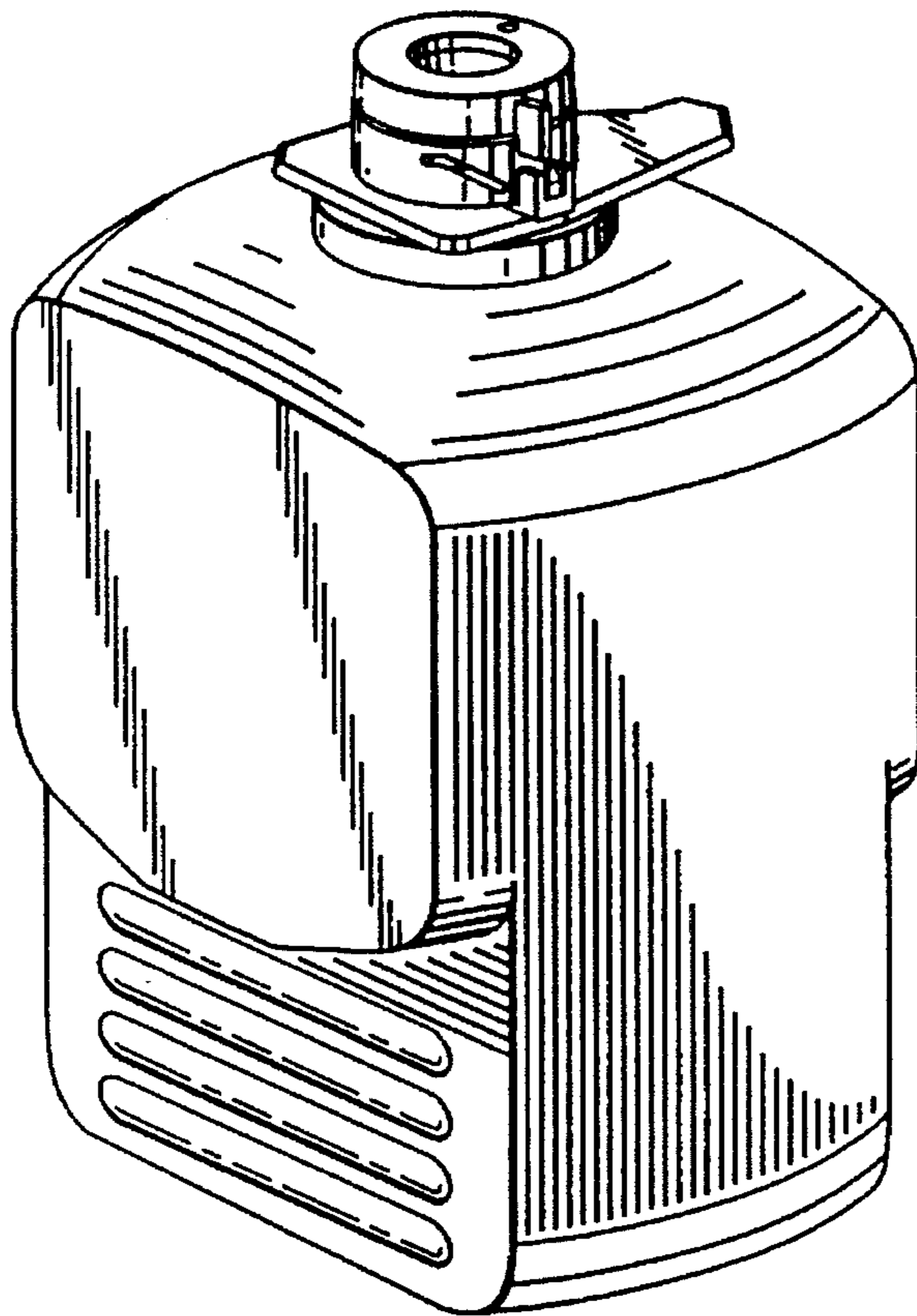


*Fig. 11*

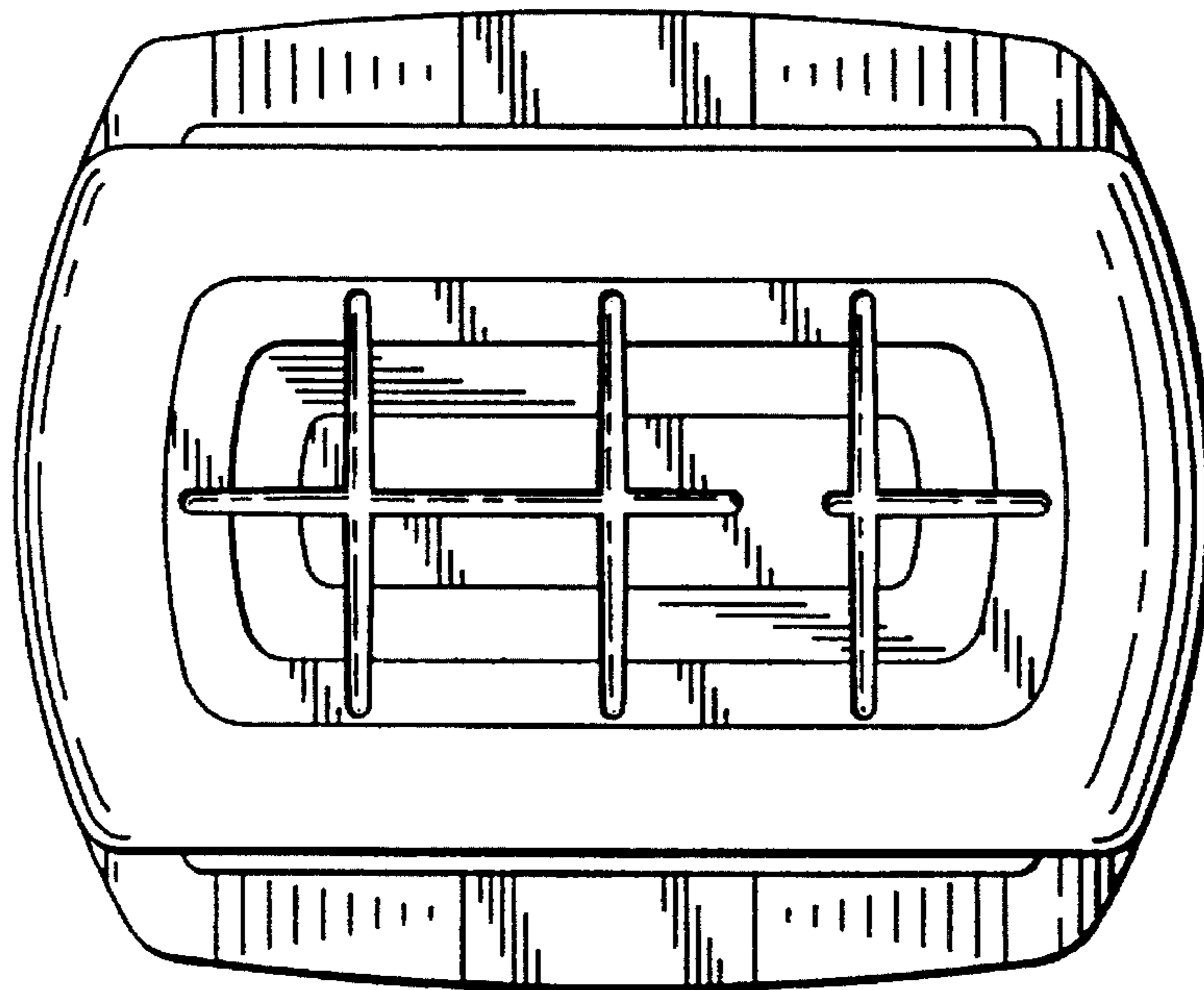


*Fig. 12*

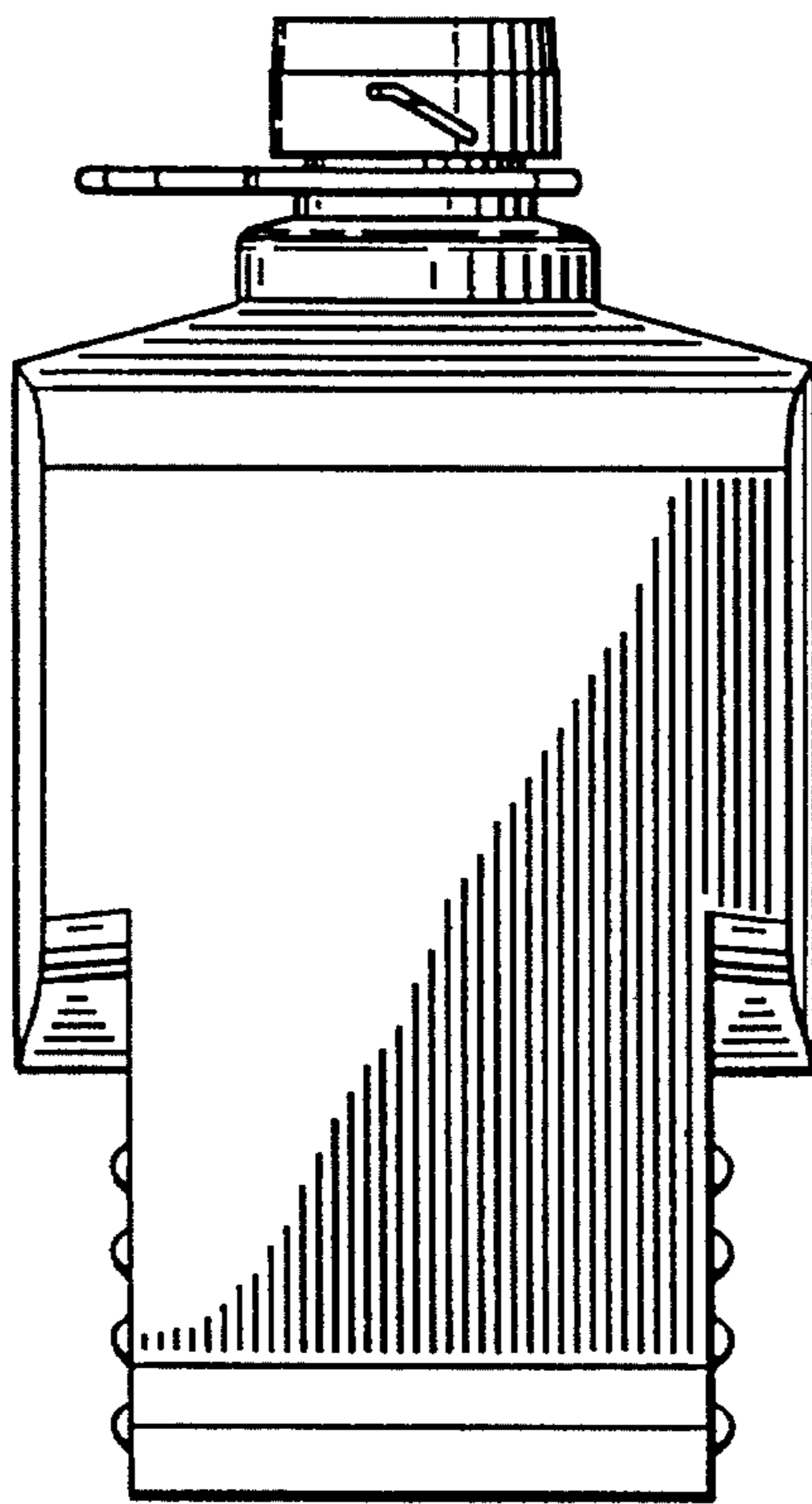




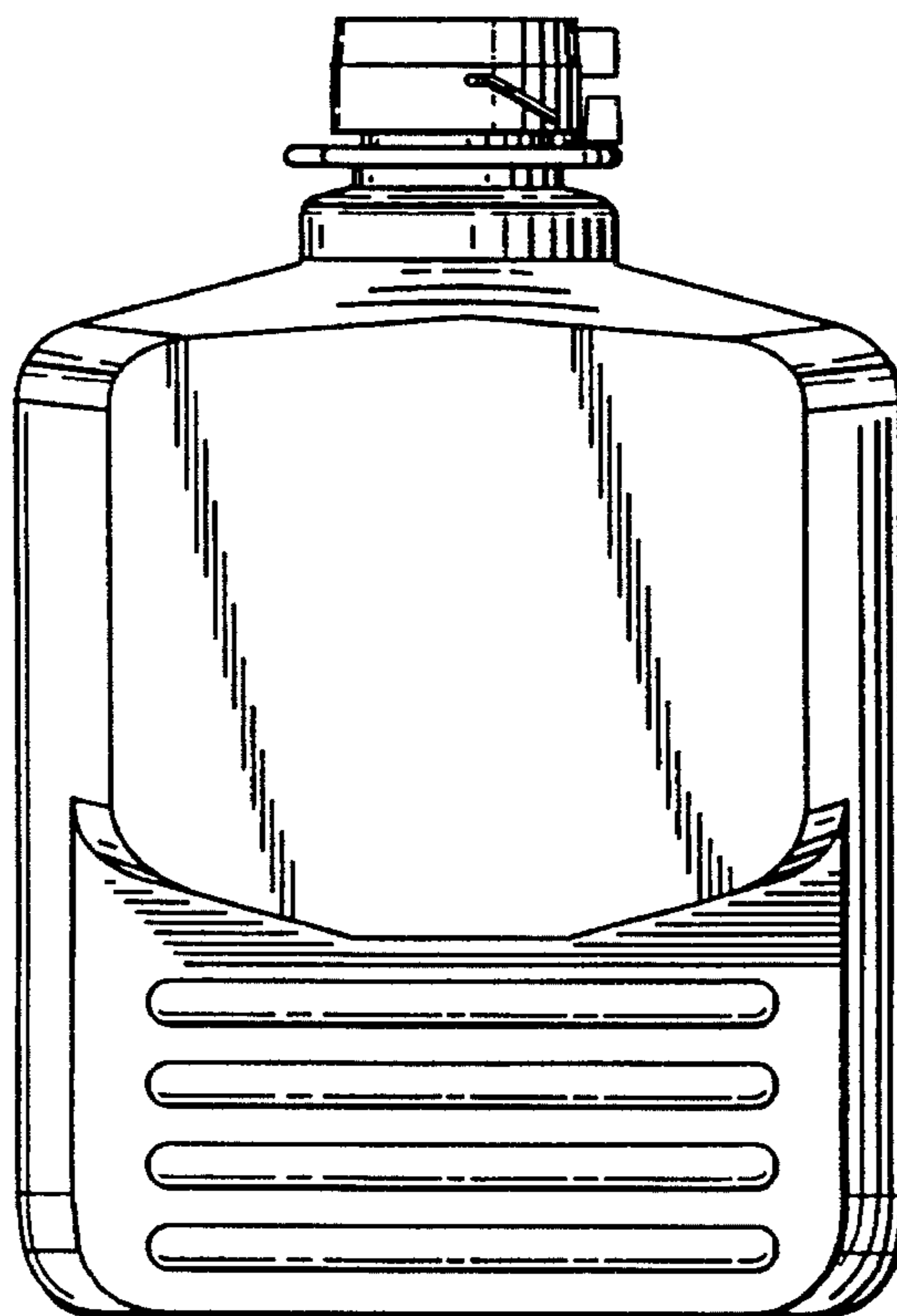
*Fig. 13*



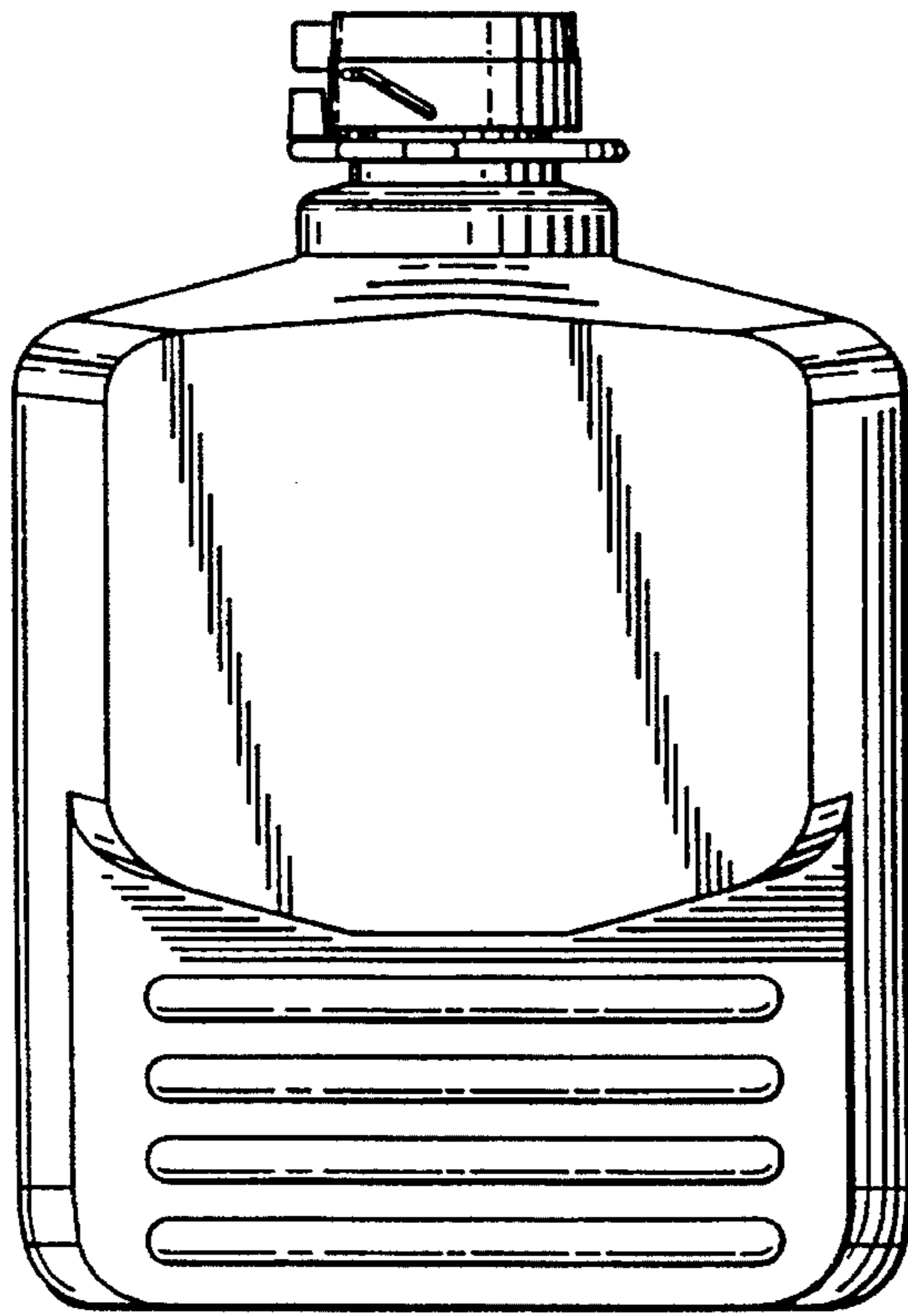
*Fig. 14*



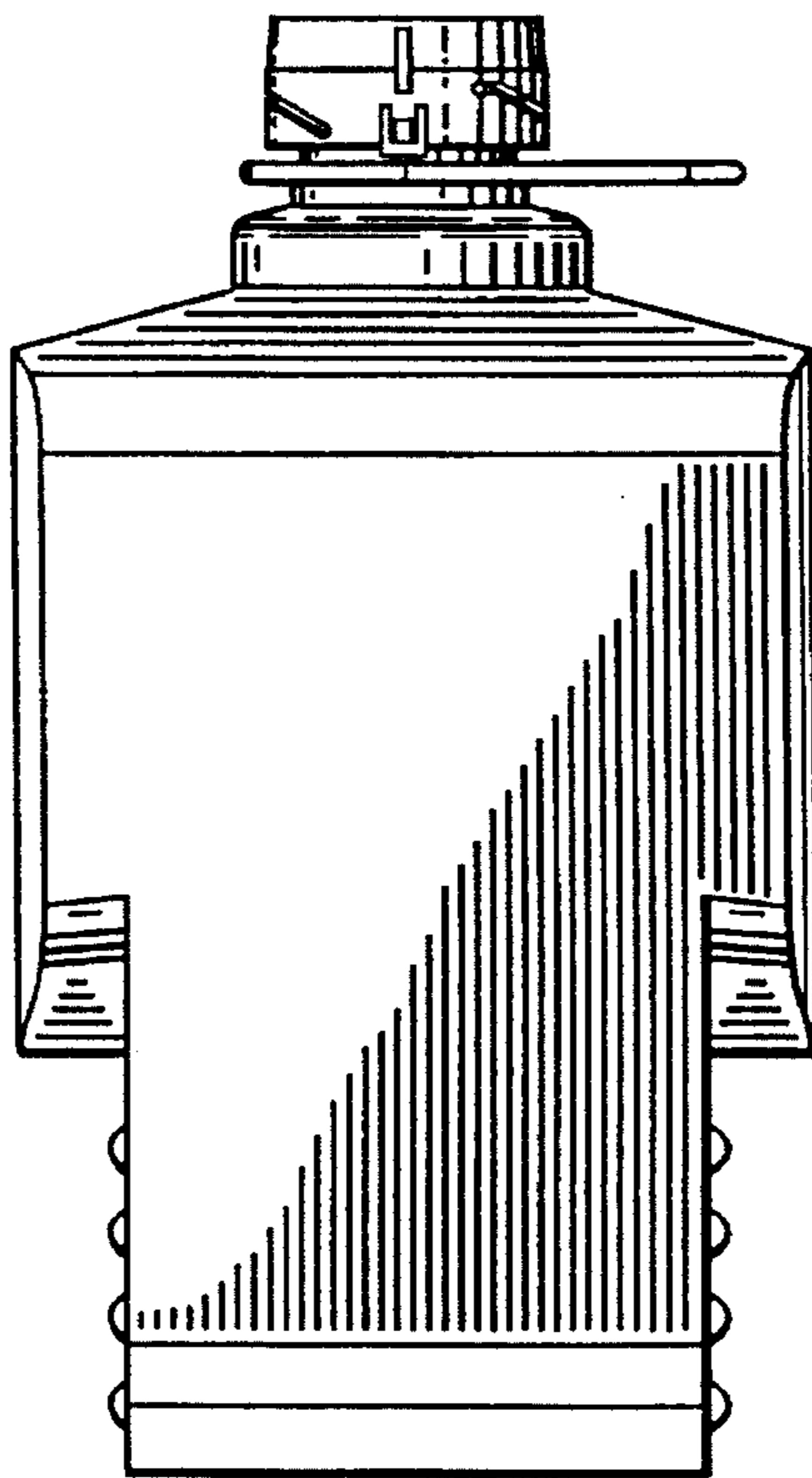
*Fig. 15*



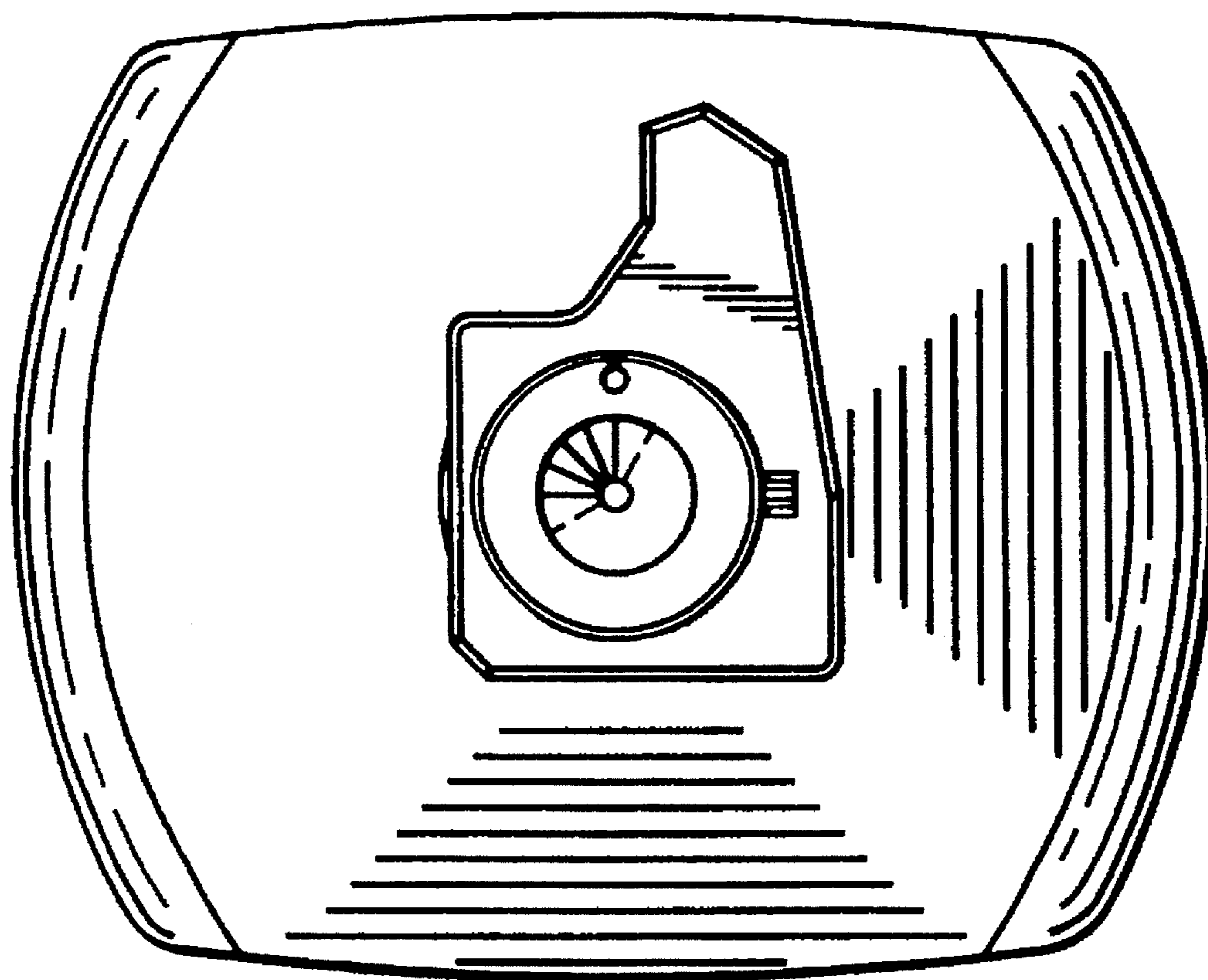
*Fig. 16*



*Fig. 17*



*Fig. 18*



***Fig. 19***