



US00D369109S

United States Patent [19]

Proshan

[11] Patent Number: **Des. 369,109**

[45] Date of Patent: ****Apr. 23, 1996**

[54] **TEMPERATURE LIMITING CAP FOR CONTAINERS**

5,433,338 7/1995 Proshan 222/570

[76] Inventor: **Mary-Elizabeth Proshan**, Ste. 194,
301 N. Harrison St., Princeton, N.J.
08540

Primary Examiner—Alan P. Douglas
Assistant Examiner—Robert M. Spear

[**] Term: **14 Years**

[57] **CLAIM**

The ornamental design for a temperature limiting cap for containers, as shown and described.

[21] Appl. No.: **35,505**

DESCRIPTION

[22] Filed: **Feb. 28, 1995**

[52] U.S. Cl. **D9/447; D7/392.1**

[58] Field of Search D7/392.1, 510,
D7/511; D9/434, 435, 447, 499; D24/197;
220/713, 714, 717; 222/570

FIG. 1 is a front perspective view of a temperature limiting cap for containers showing my new design;
FIG. 2 is a top plan view thereof;
FIG. 3 is a end view thereof;
FIG. 4 is an opposite end view thereof;
FIG. 5 is one side view thereof, the opposite side view being a mirror image thereof; and,
FIG. 6 is a bottom plan view thereof.

[56] **References Cited**

U.S. PATENT DOCUMENTS

D. 259,231 5/1981 Kozlow, Sr. D7/392.1
4,243,156 1/1981 Lobbestael D7/510

1 Claim, 2 Drawing Sheets

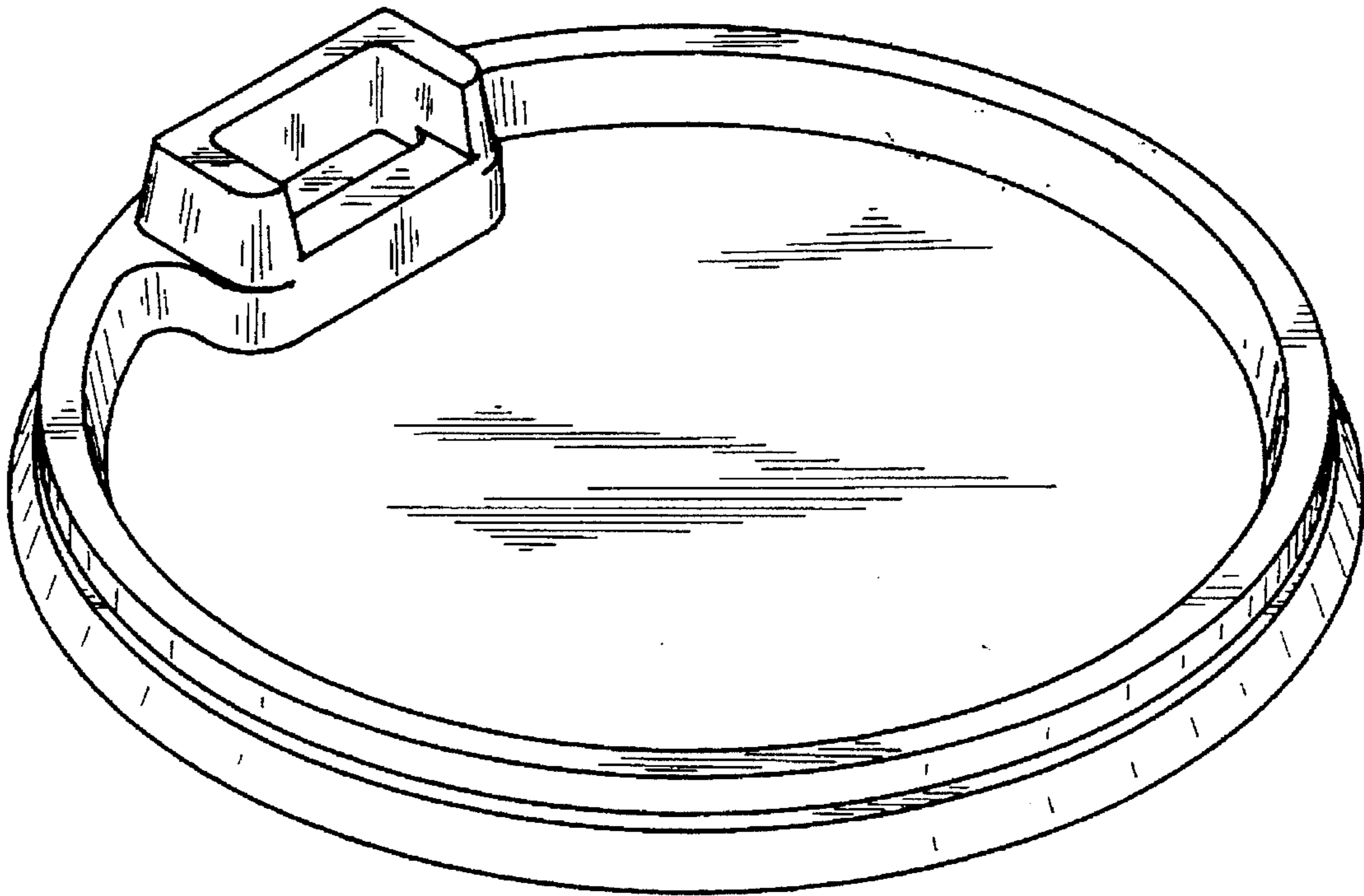


FIG. 1

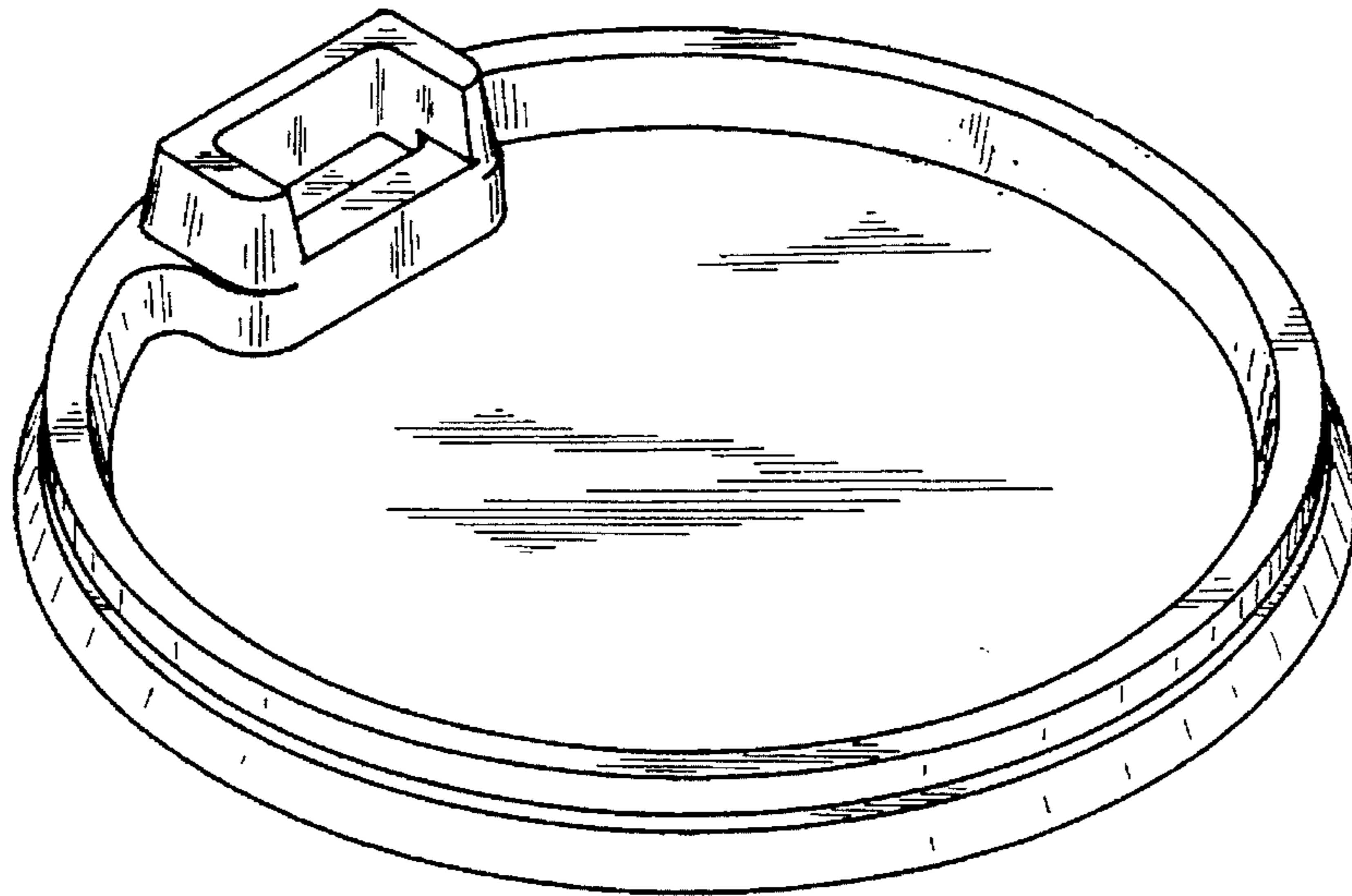


FIG. 2

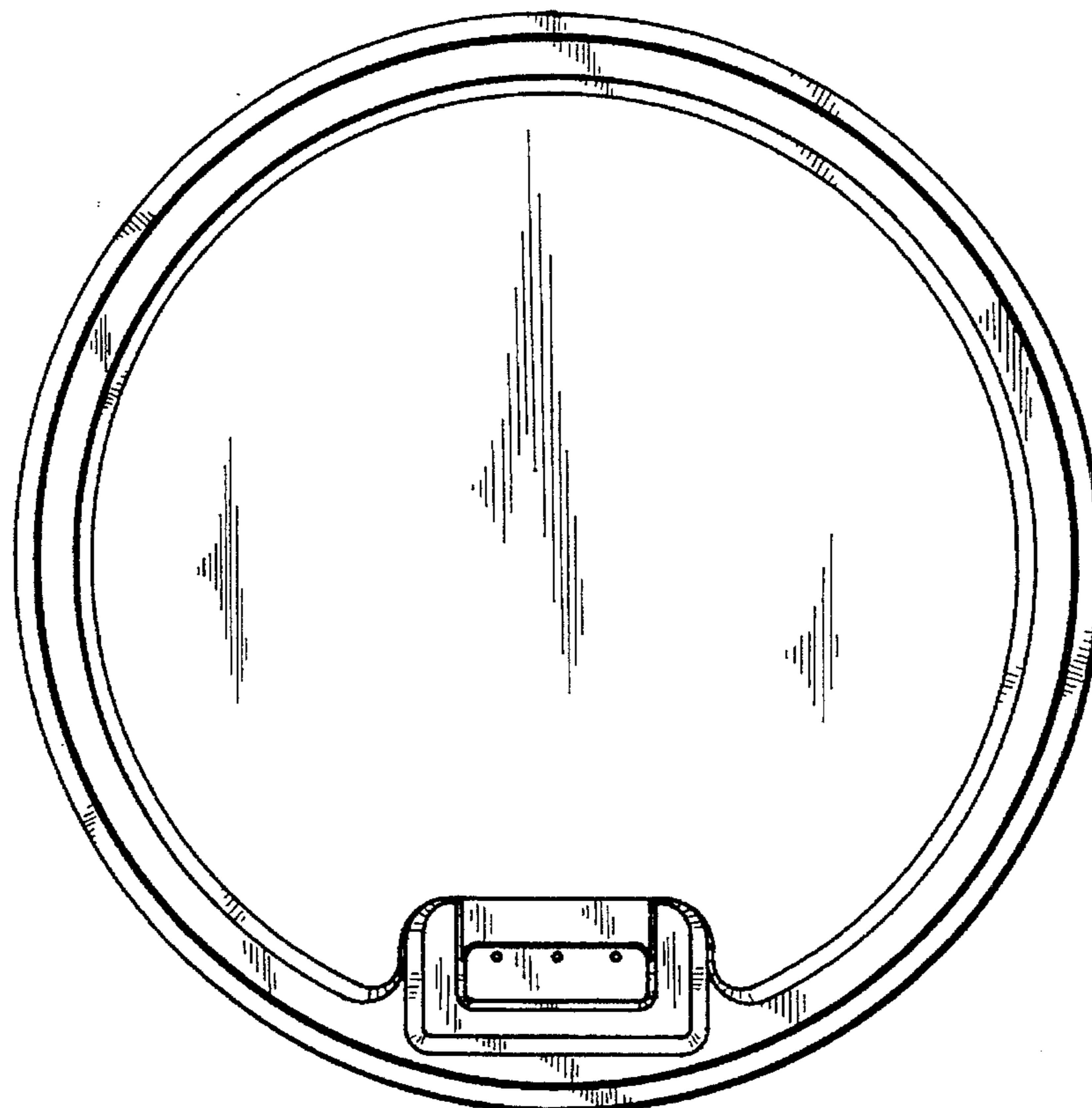


FIG. 3

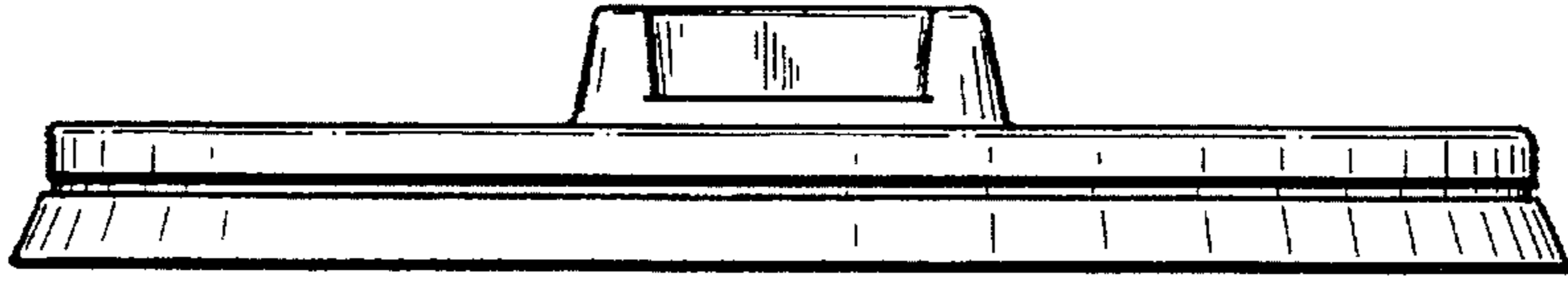


FIG. 4

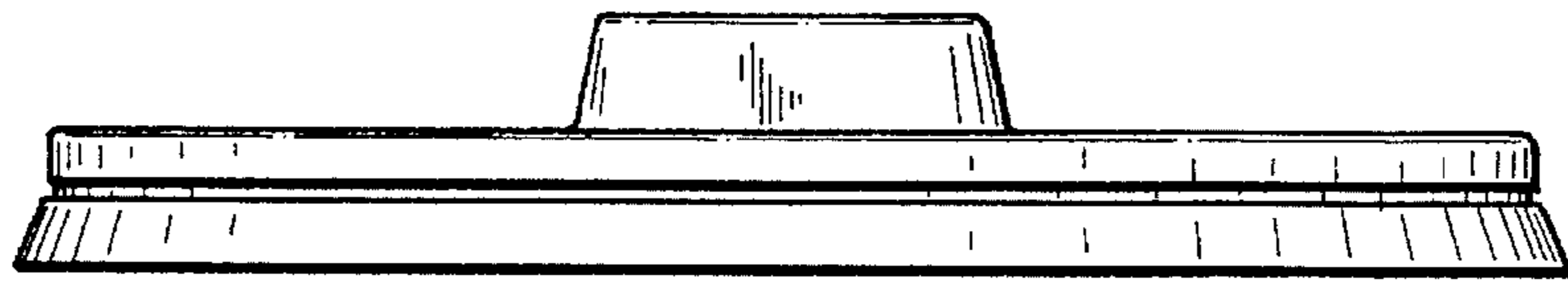


FIG. 5

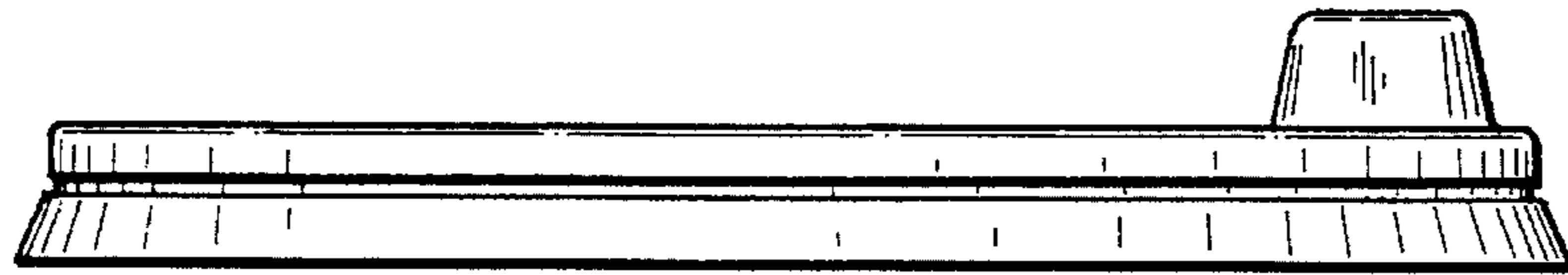


FIG. 6

