



US00D369103S

United States Patent [19]
Plassier

[11] **Patent Number: Des. 369,103**

[45] **Date of Patent: **Apr. 23, 1996**

[54] **WATCH CASE**

3,910,410 10/1975 Shaw 206/486 X
4,094,409 6/1978 Spranger et al. 206/301 X

[75] Inventor: **Stephane Plassier**, Paris, France

OTHER PUBLICATIONS

[73] Assignee: **Swatch, S.A.**, Bienne, Switzerland

Swiss Watch & Jewelry Journal, 1981 Cat. p. 187.
Swiss Watch & Jewelry Journal Feb. 1984, p. 306.

[**] Term: **14 Years**

Primary Examiner—Prabhakar G. Deshmukh
Attorney, Agent, or Firm—McGlew and Tuttle

[21] Appl. No.: **19,197**

[22] Filed: **Feb. 25, 1994**

[57] **CLAIM**

[30] **Foreign Application Priority Data**

The ornamental design for a watch case, as shown and described.

Aug. 27, 1993 [WO] WIPO DM/027115

[52] **U.S. Cl.** **D9/418**

DESCRIPTION

[58] **Field of Search** D9/432, 418, 423,
D9/415, 422, 424, 337; D3/201, 204, 205,
263, 273, 903; 206/301, 18, 70, 6.1, 44.11,
44.14, 592, 486; D28/82, 83

FIG. 1 is a perspective view of a watch case showing my new design;

FIG. 2 is a top plan view thereof;

FIG. 3 is a right side elevational view thereof;

FIG. 4 is a bottom plan view thereof;

FIG. 5 is a left side elevational view thereof;

FIG. 6 is a rear elevational view thereof;

FIG. 7 is a front elevational view thereof;

FIG. 8 is an expanded perspective view thereof; in an open position; and,

FIG. 9 is an expanded top plan view of FIG. 8.

[56] **References Cited**

U.S. PATENT DOCUMENTS

D. 46,050 7/1914 Fieseler D9/423
D. 275,900 10/1984 Spector D28/82
D. 336,612 6/1993 Miller et al. D9/424 X
D. 340,408 10/1993 Hirsch D9/418
D. 346,960 5/1994 Bennett D9/418
1,909,020 5/1933 Shields 206/301 X
3,365,056 1/1968 Mandel 206/301 X

1 Claim, 3 Drawing Sheets

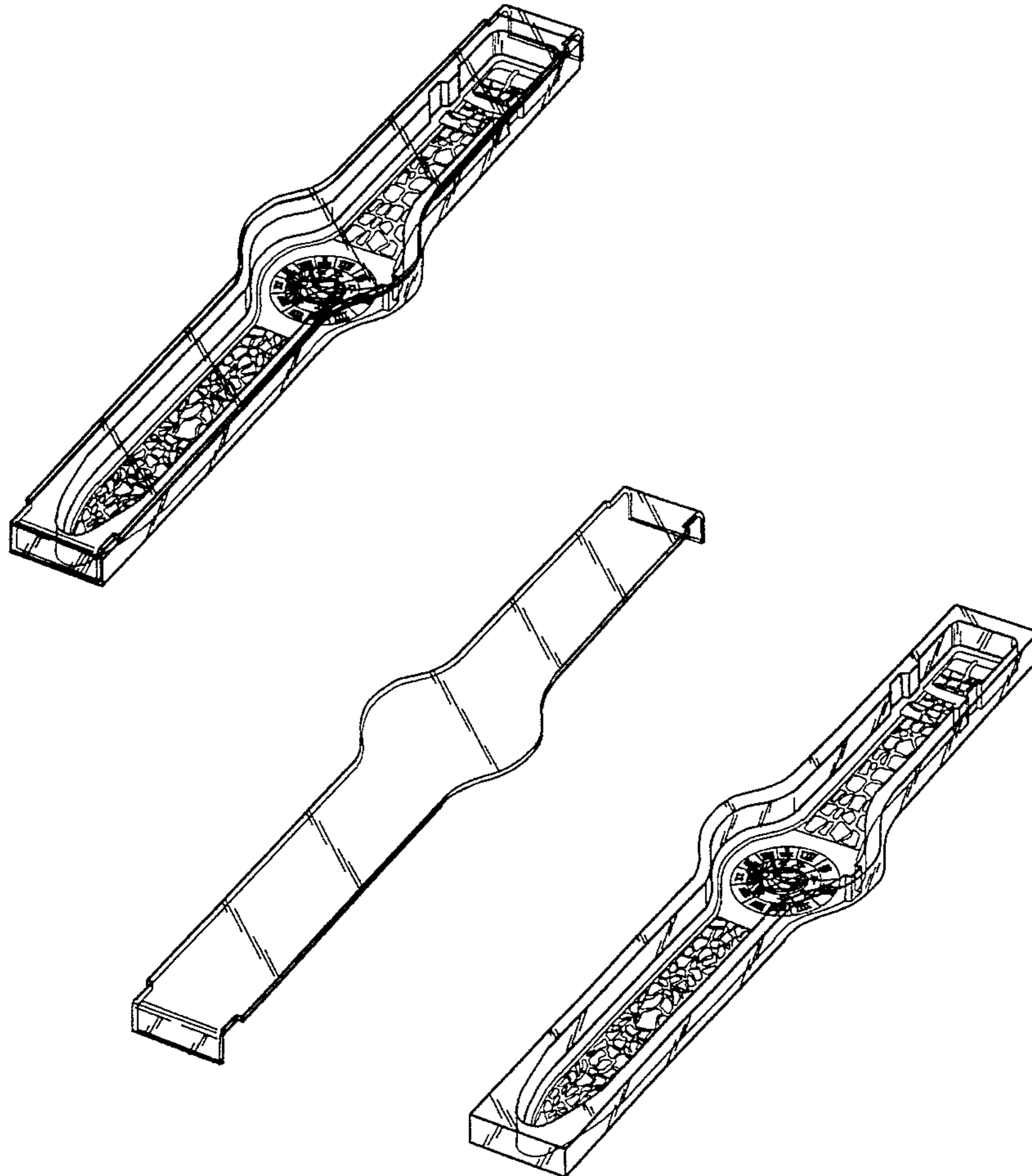


Fig. 1

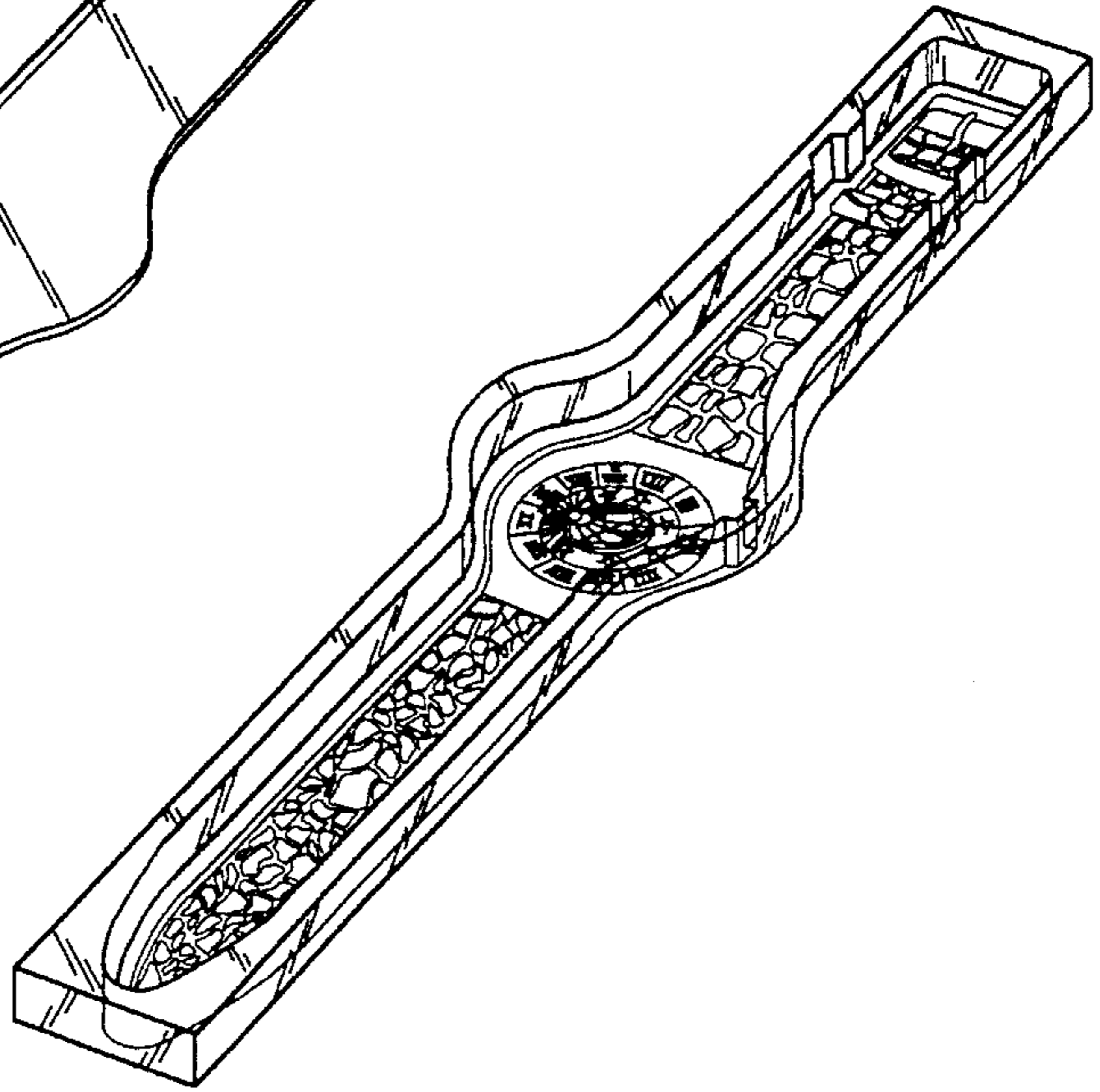
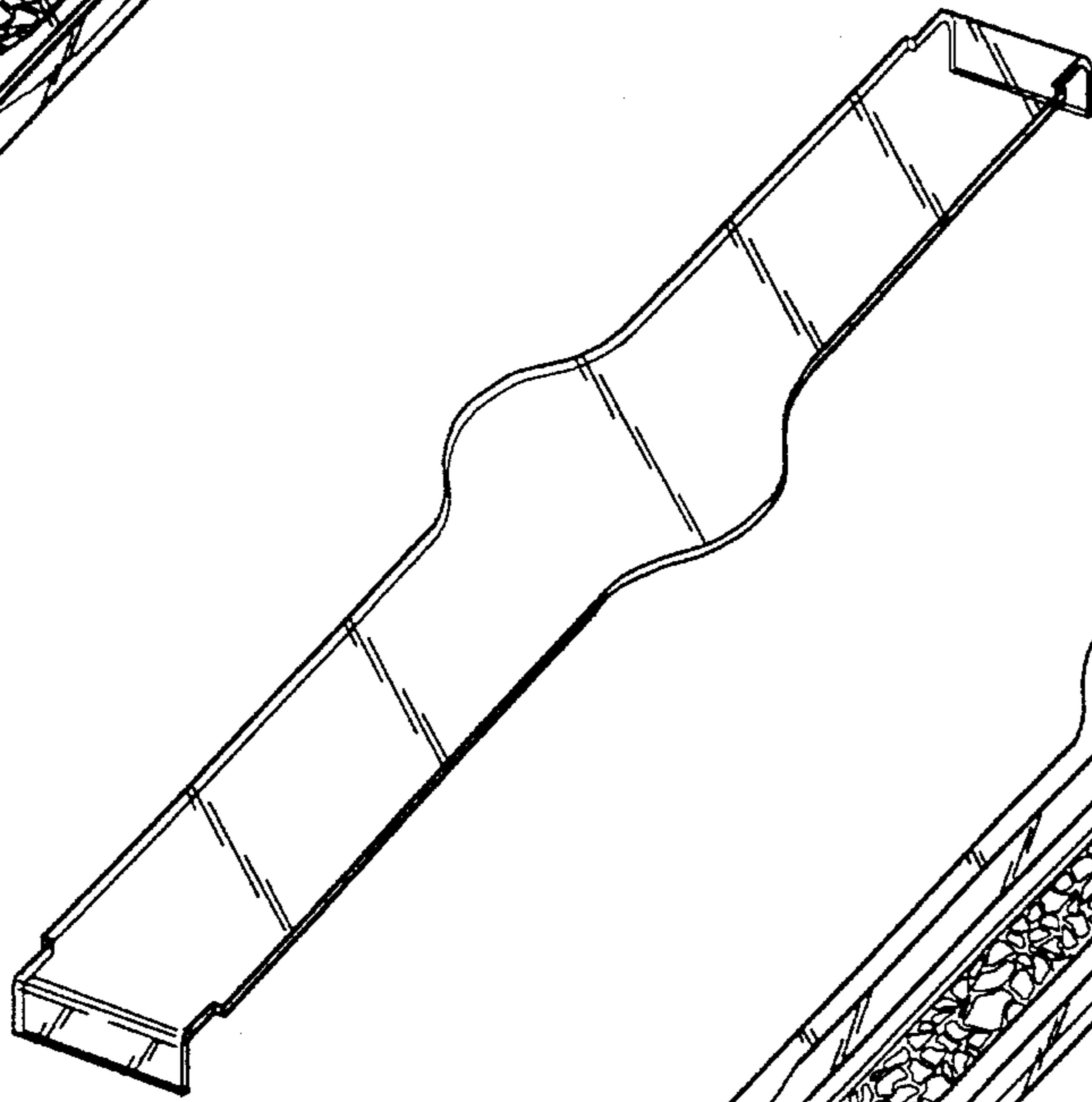
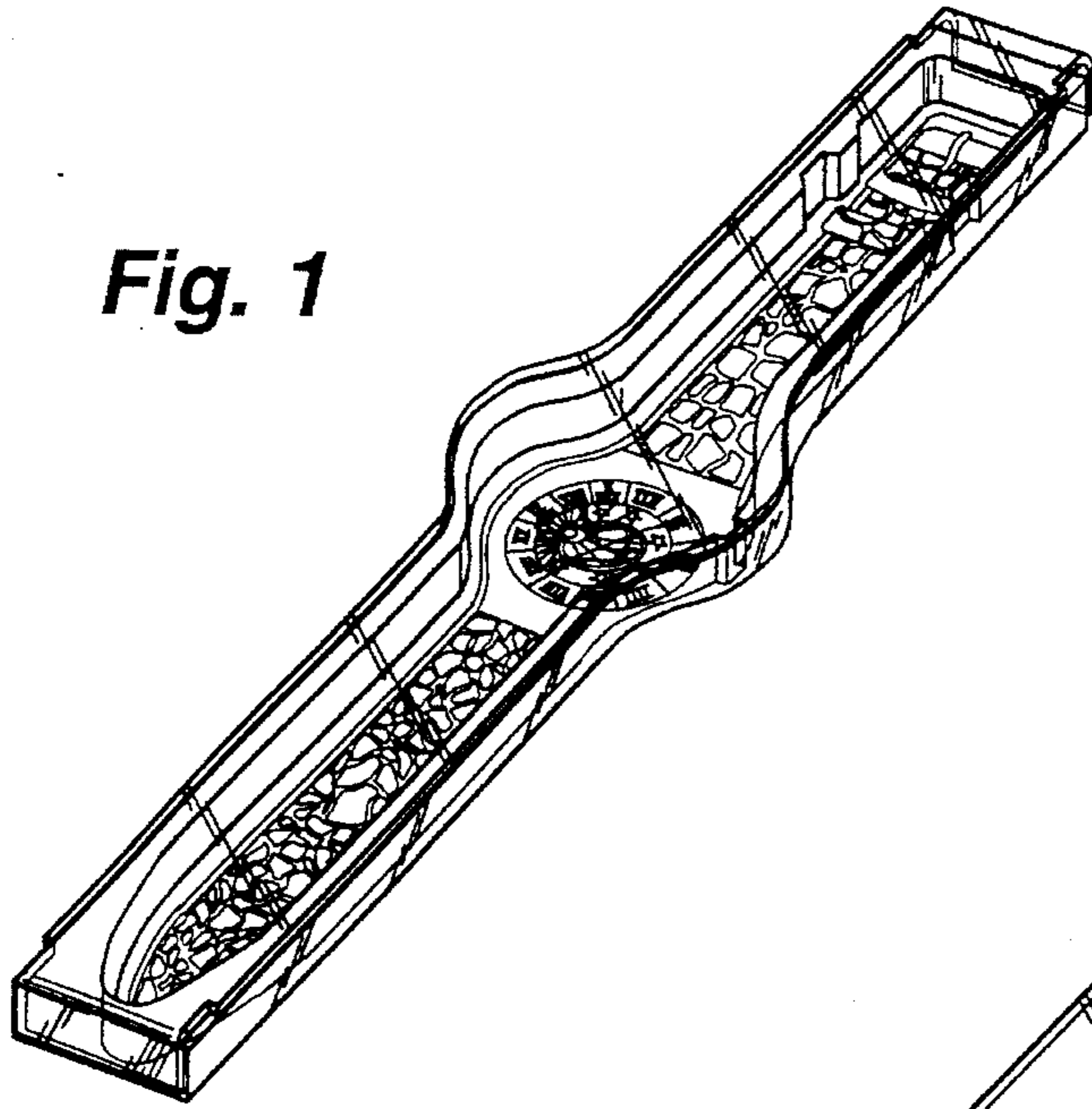


Fig. 8

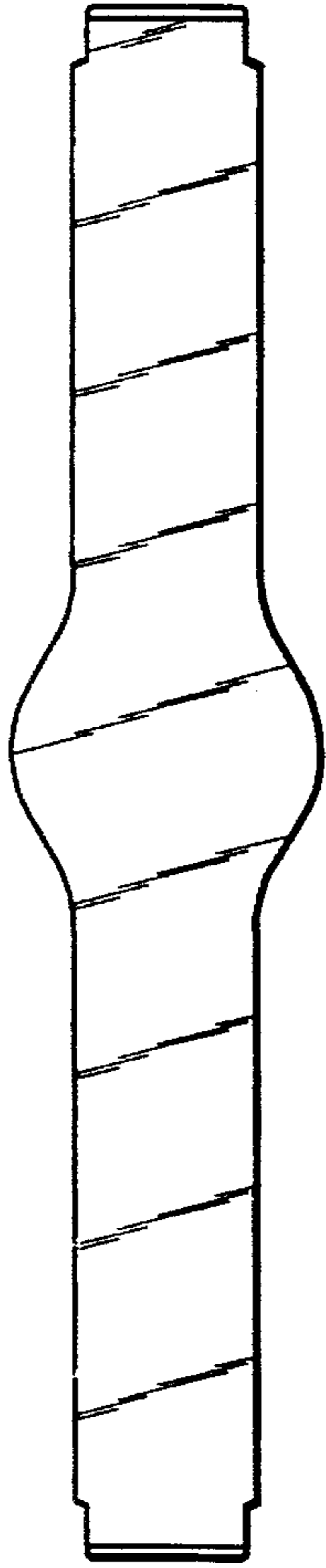


Fig. 9

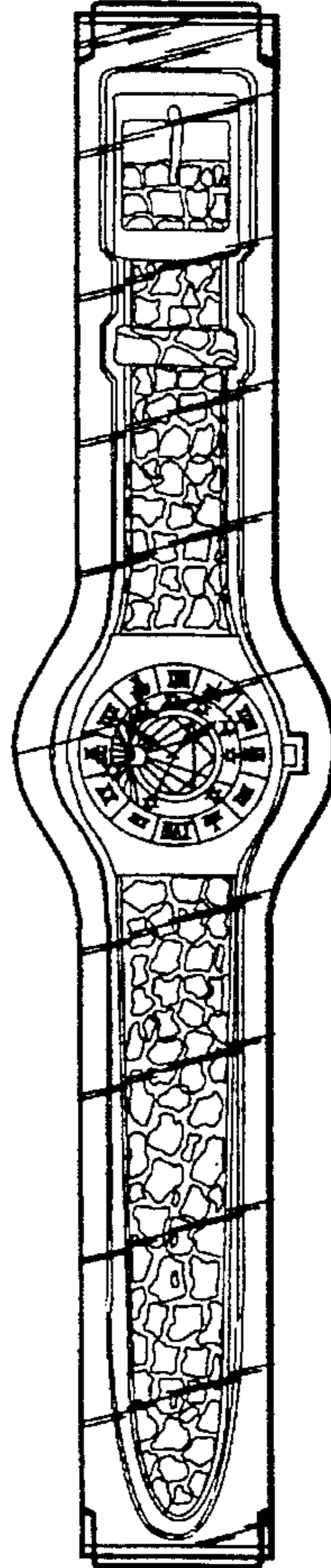


Fig. 2

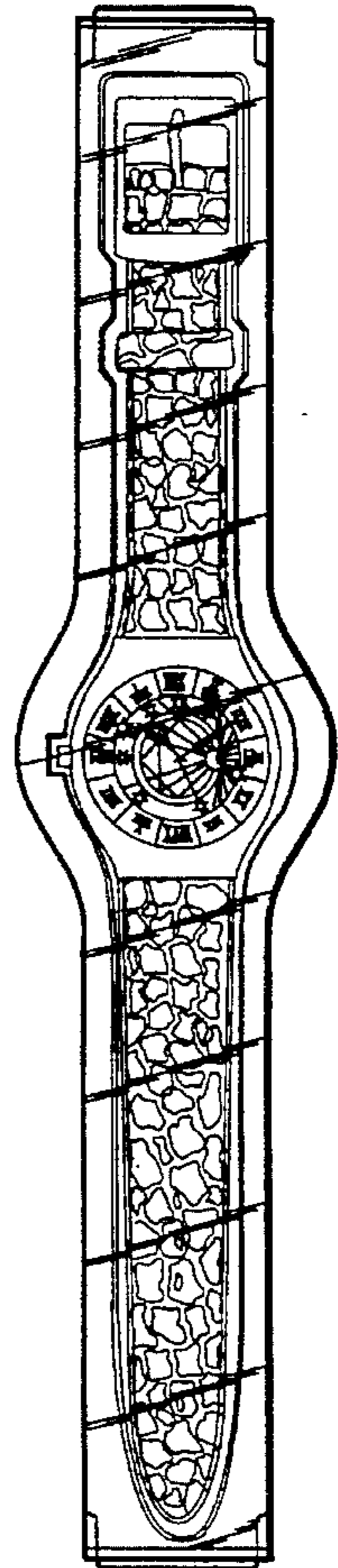


Fig. 4

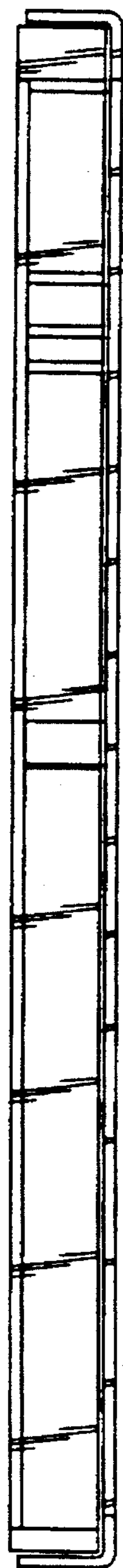


Fig. 3

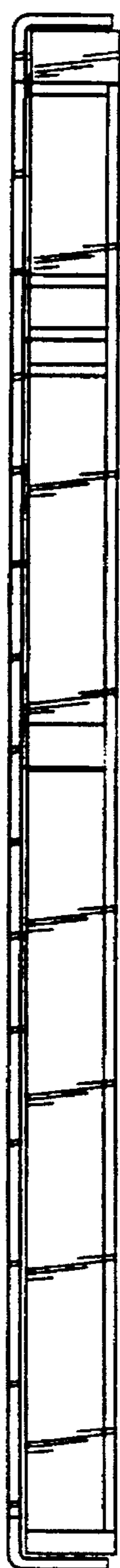


Fig. 5



Fig. 6



Fig. 7