



US00D369092S

# United States Patent [19]

Sauber

[11] Patent Number: Des. 369,092

[45] Date of Patent: \*\*Apr. 23, 1996

[54] **INSULATOR MOUNTABLE CABLE STRINGING ROLLER**

[76] Inventor: **Charles J. Sauber**, 10 N. Sauber Rd., Virgil, Ill. 60182

[\*\*] Term: **14 Years**

[21] Appl. No.: **37,304**

[22] Filed: **Apr. 10, 1995**

[52] U.S. Cl. .... **D8/356; D8/364**

[58] Field of Search ..... D8/373, 356, 364; 248/300; 296/50; 16/86.2, 87 R; 254/396; 174/138 R

[56] **References Cited**

**U.S. PATENT DOCUMENTS**

D. 193,579	9/1962	Frisch .....	D8/356
D. 242,016	10/1976	Busche .....	D8/373
D. 244,577	6/1977	Glumac .....	D8/373 X
D. 292,870	11/1987	Carbone .....	D8/373

*Primary Examiner*—A. Hugo Word  
*Assistant Examiner*—Holly Baynham  
*Attorney, Agent, or Firm*—Leydig, Voit & Mayer, Ltd.

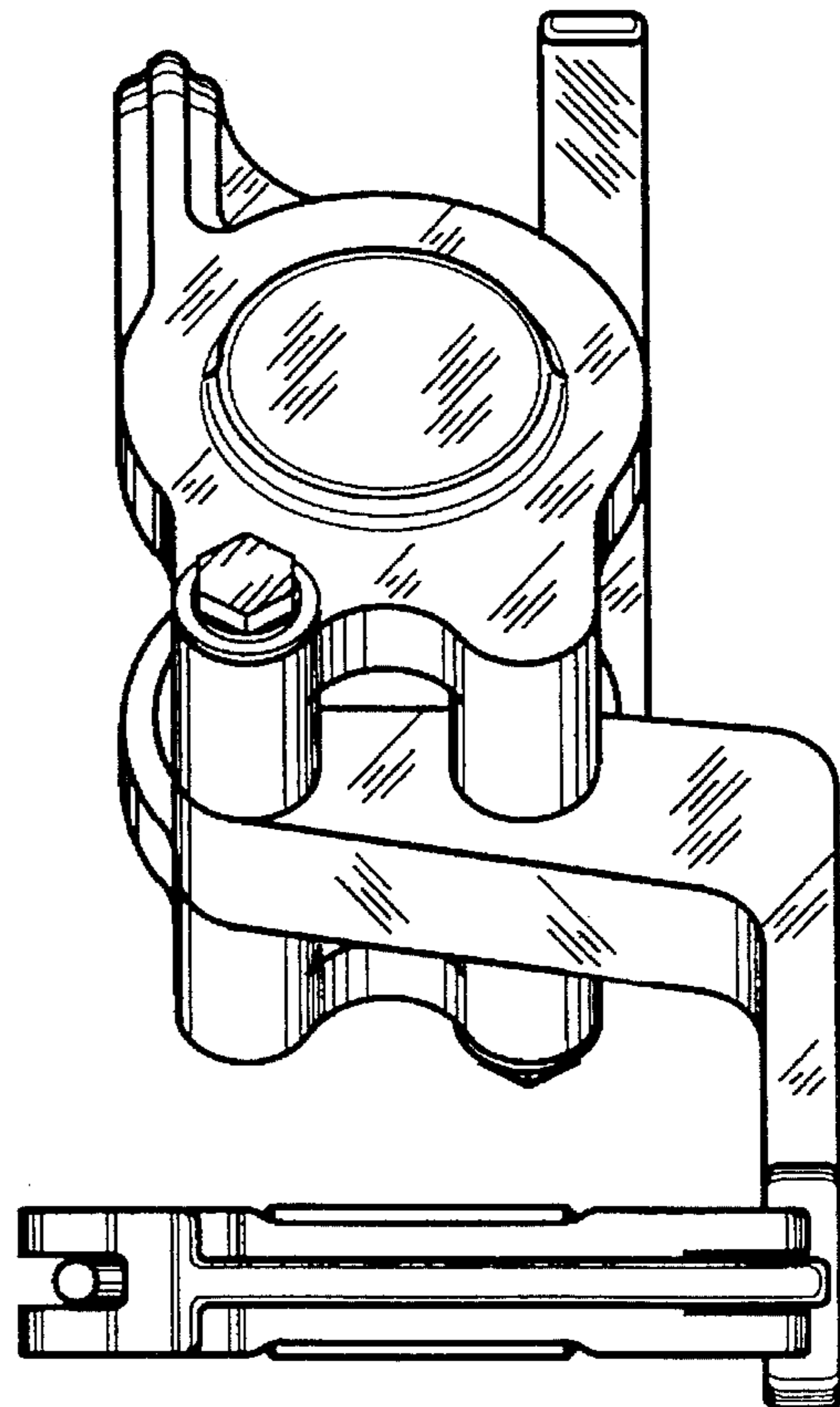
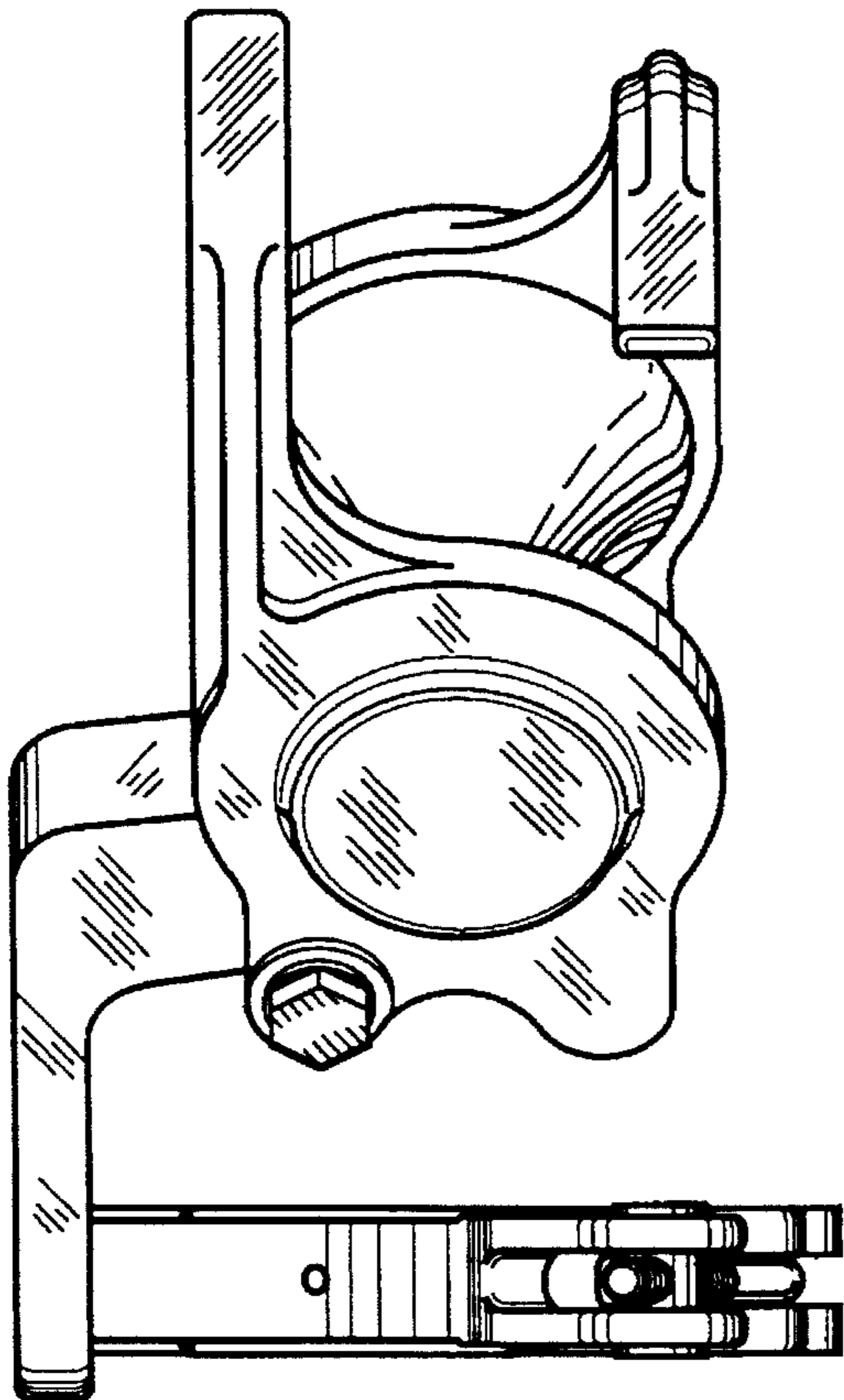
[57] **CLAIM**

The ornamental design for an insulator mountable cable stringing roller, as shown and described.

**DESCRIPTION**

FIG. 1 is a left side elevational view of a cable stringing roller showing my new design;  
FIG. 2 is a right side elevational view thereof;  
FIG. 3 is a top plan view thereof;  
FIG. 4 is a rear side view thereof;  
FIG. 5 is a frontal side view thereof;  
FIG. 6 is a bottom plan view thereof;  
FIG. 7 is left partial perspective side view thereof showing the roller angled left; and,  
FIG. 8 is right partial perspective side view thereof showing the roller angled right.

**1 Claim, 4 Drawing Sheets**



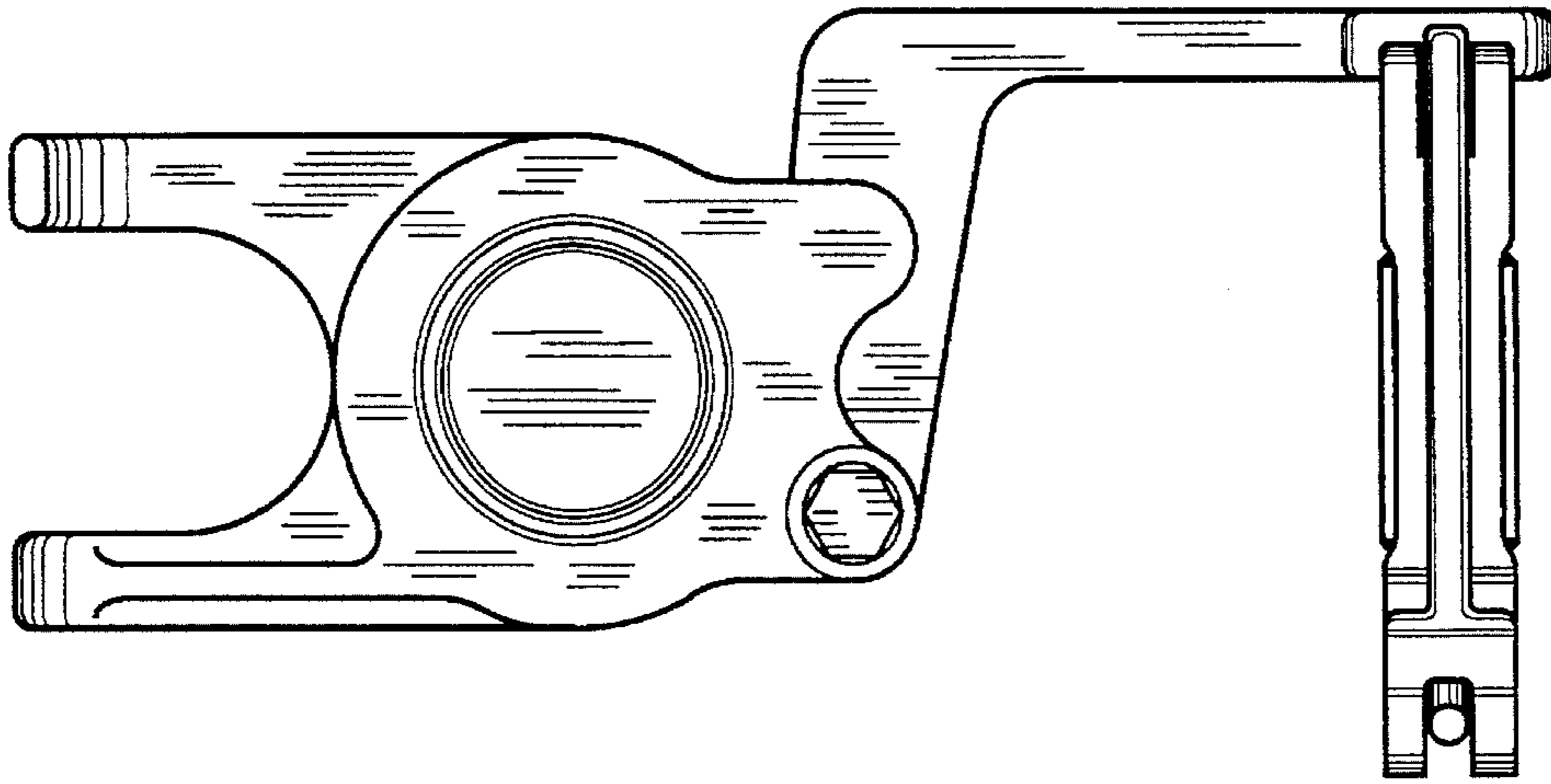


FIG. 2

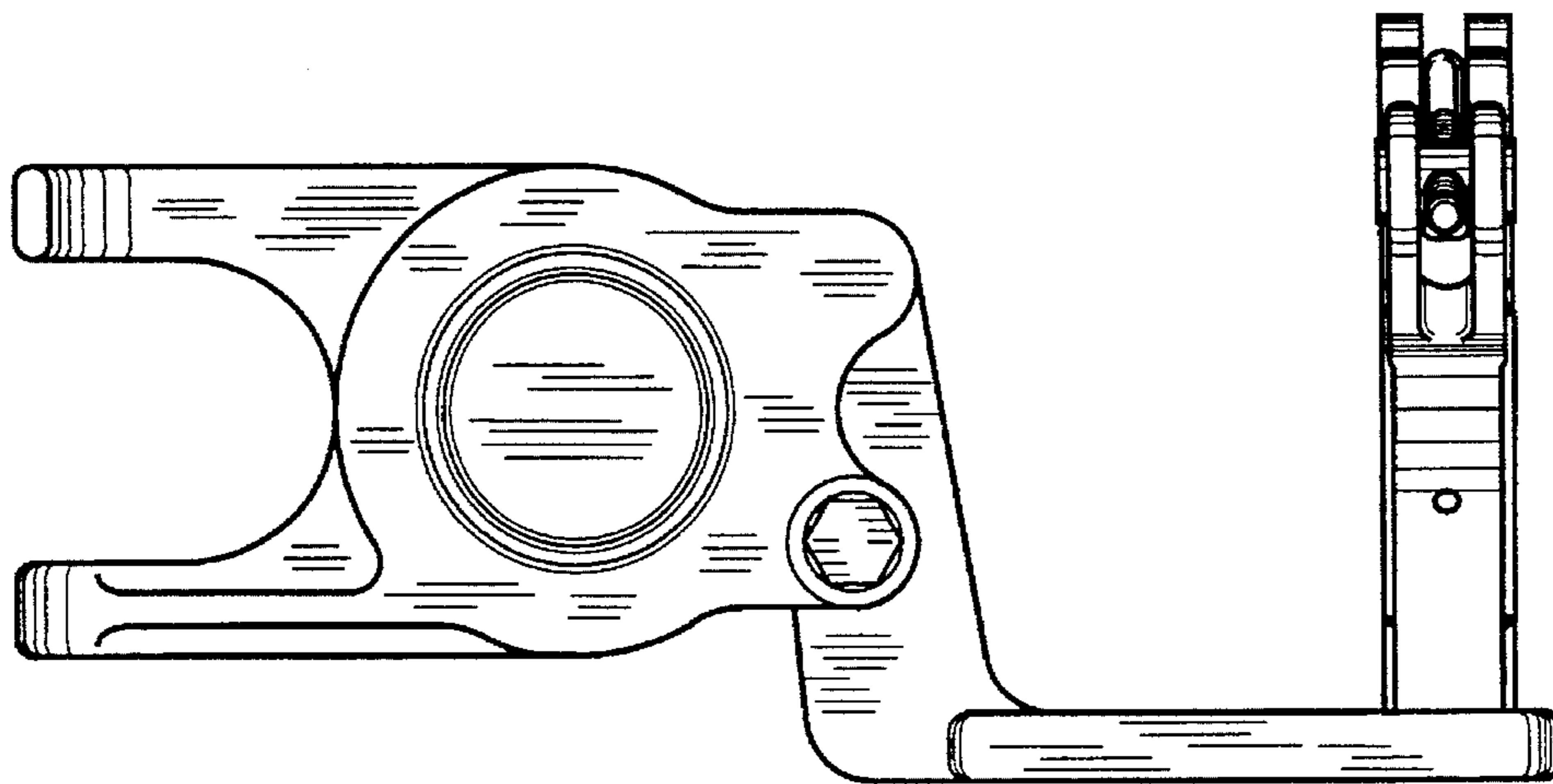


FIG. 1

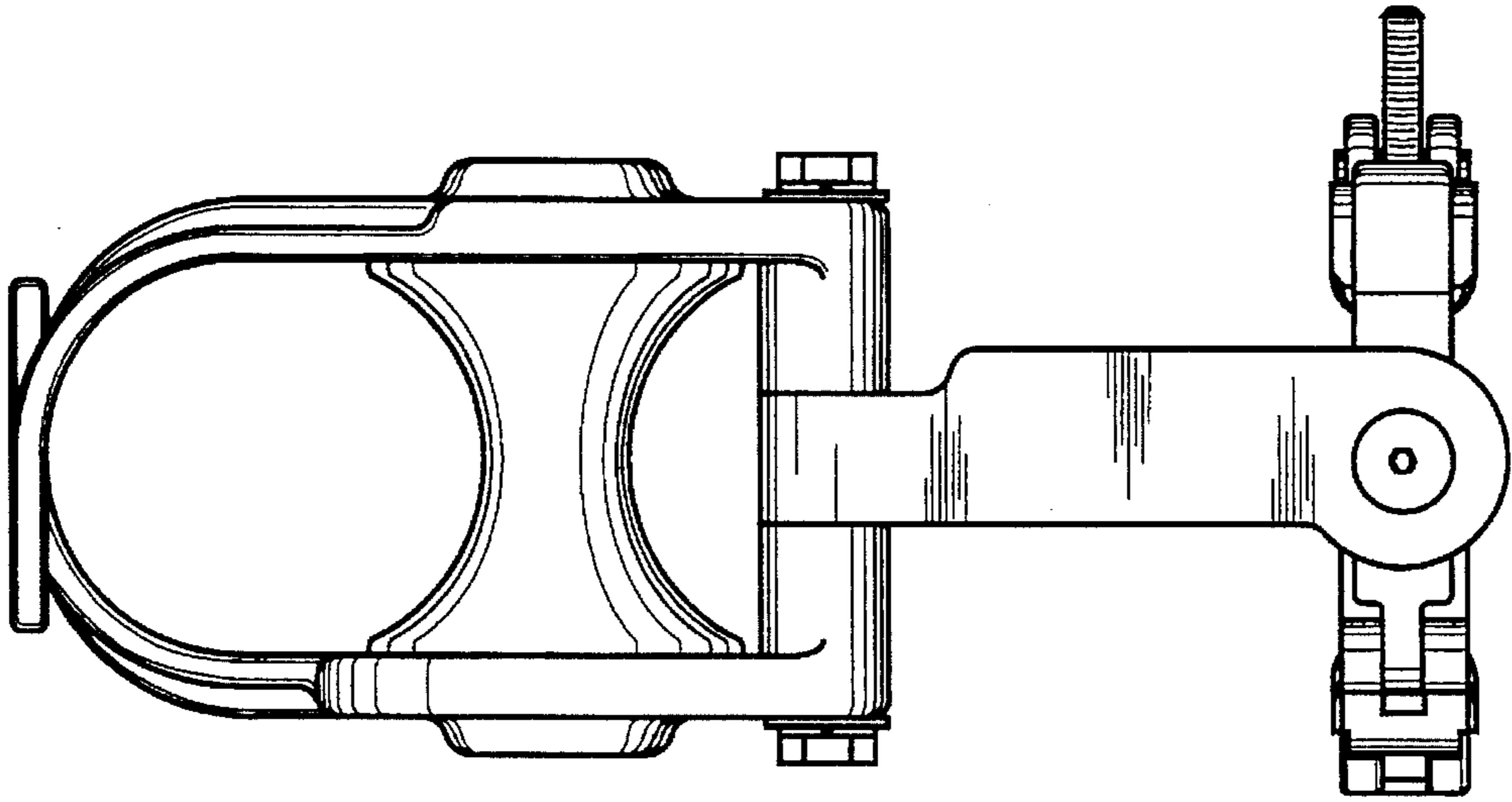


FIG. 4

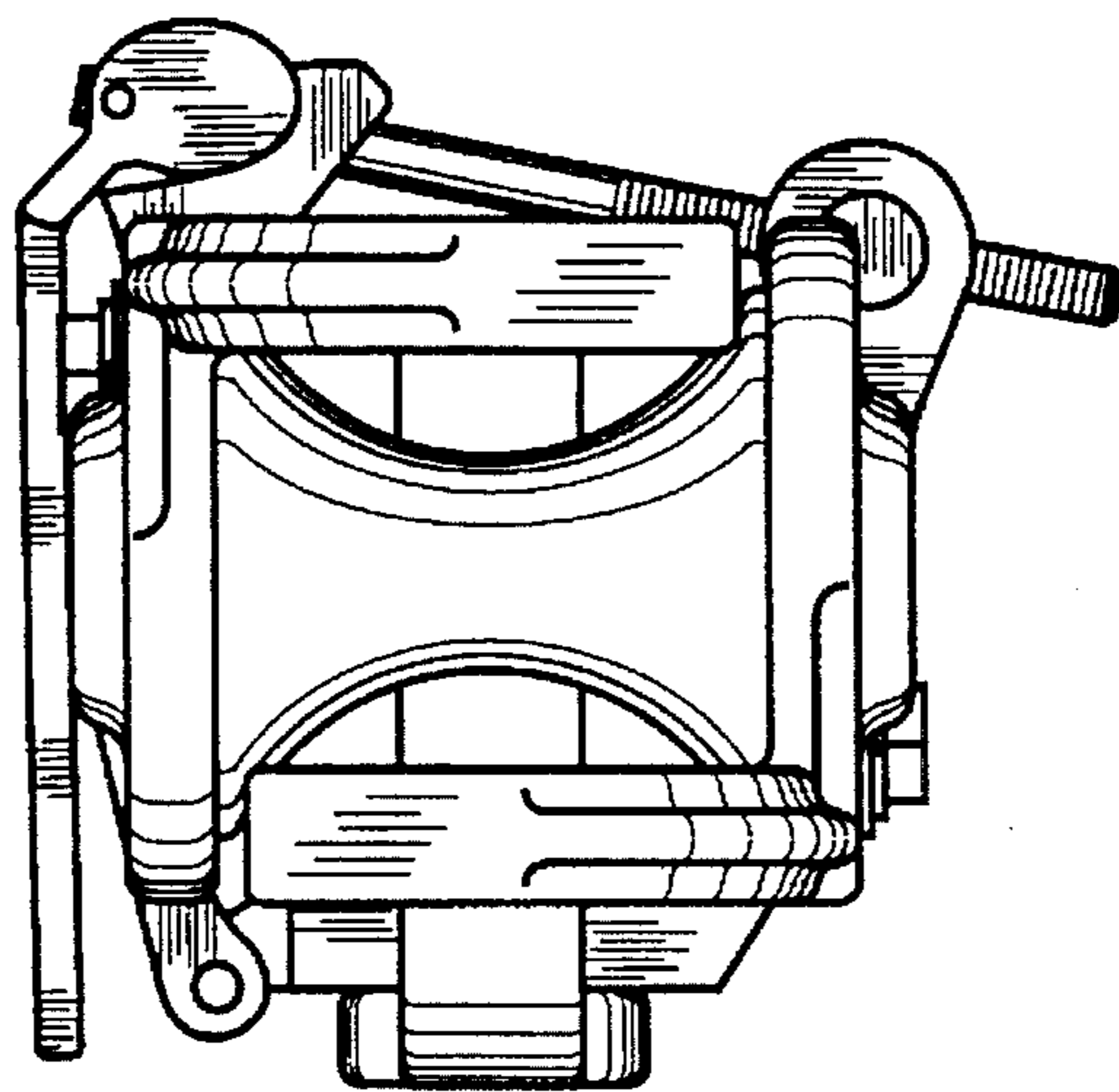


FIG. 3

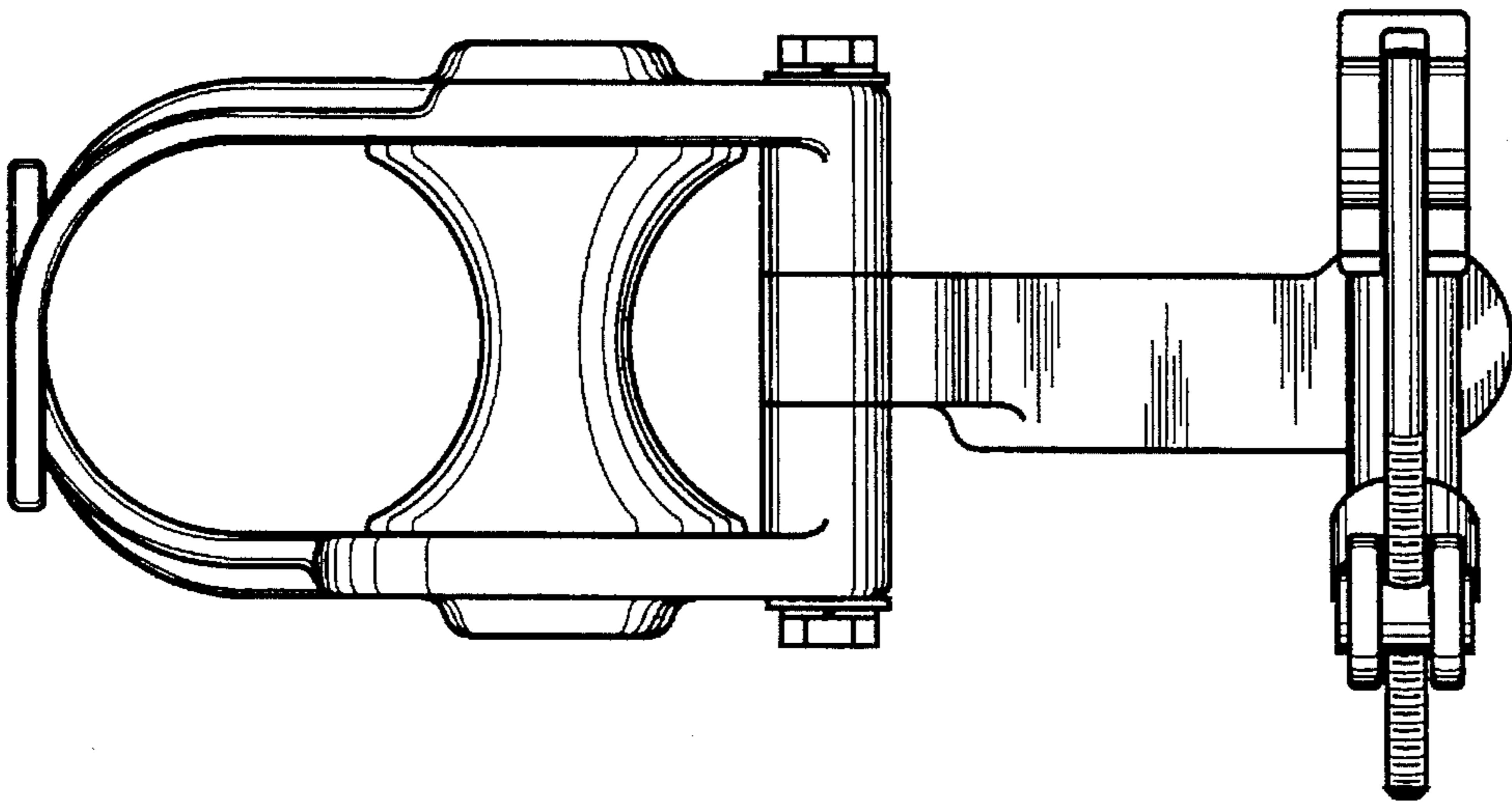


FIG. 5

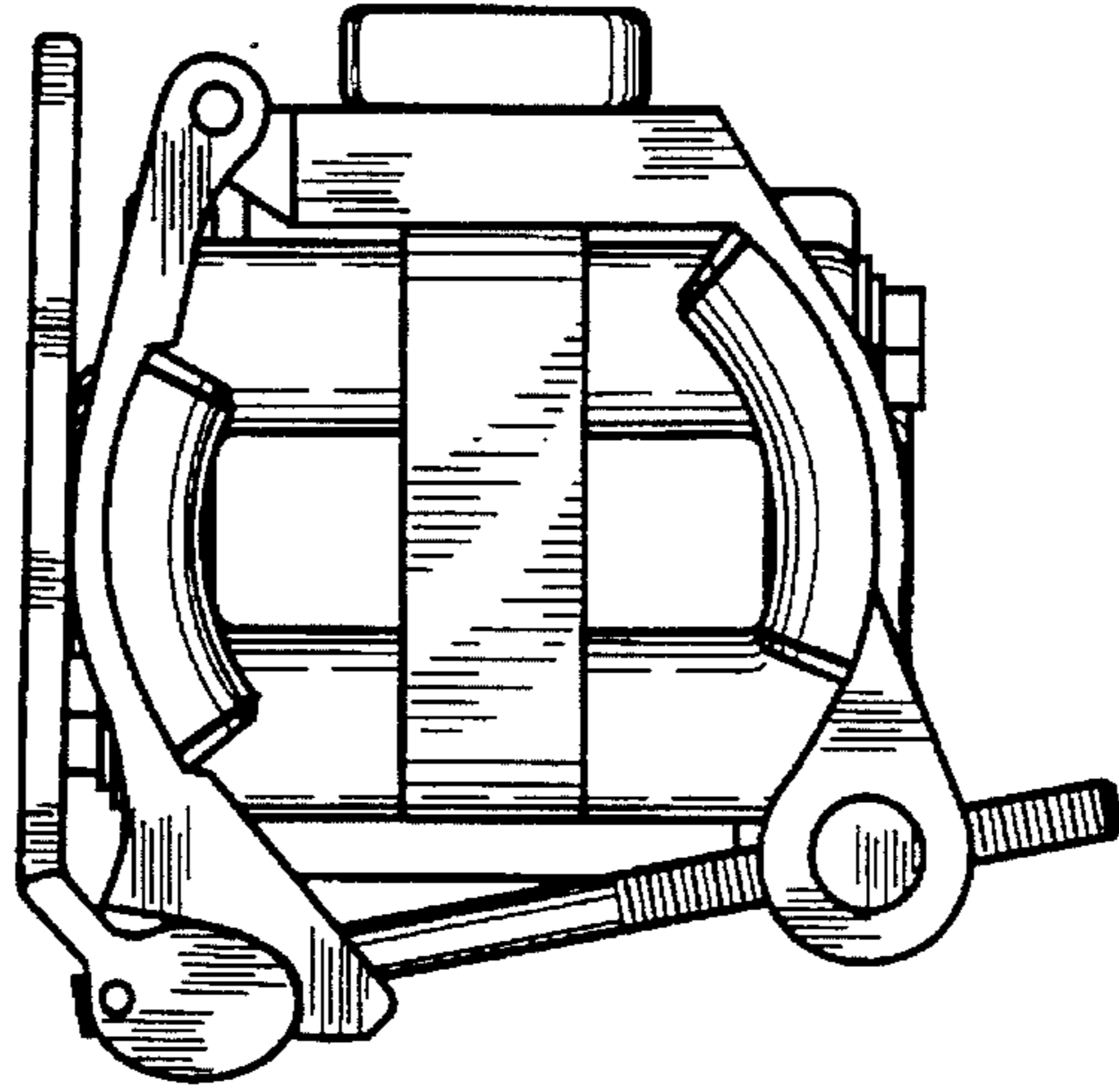


FIG. 6

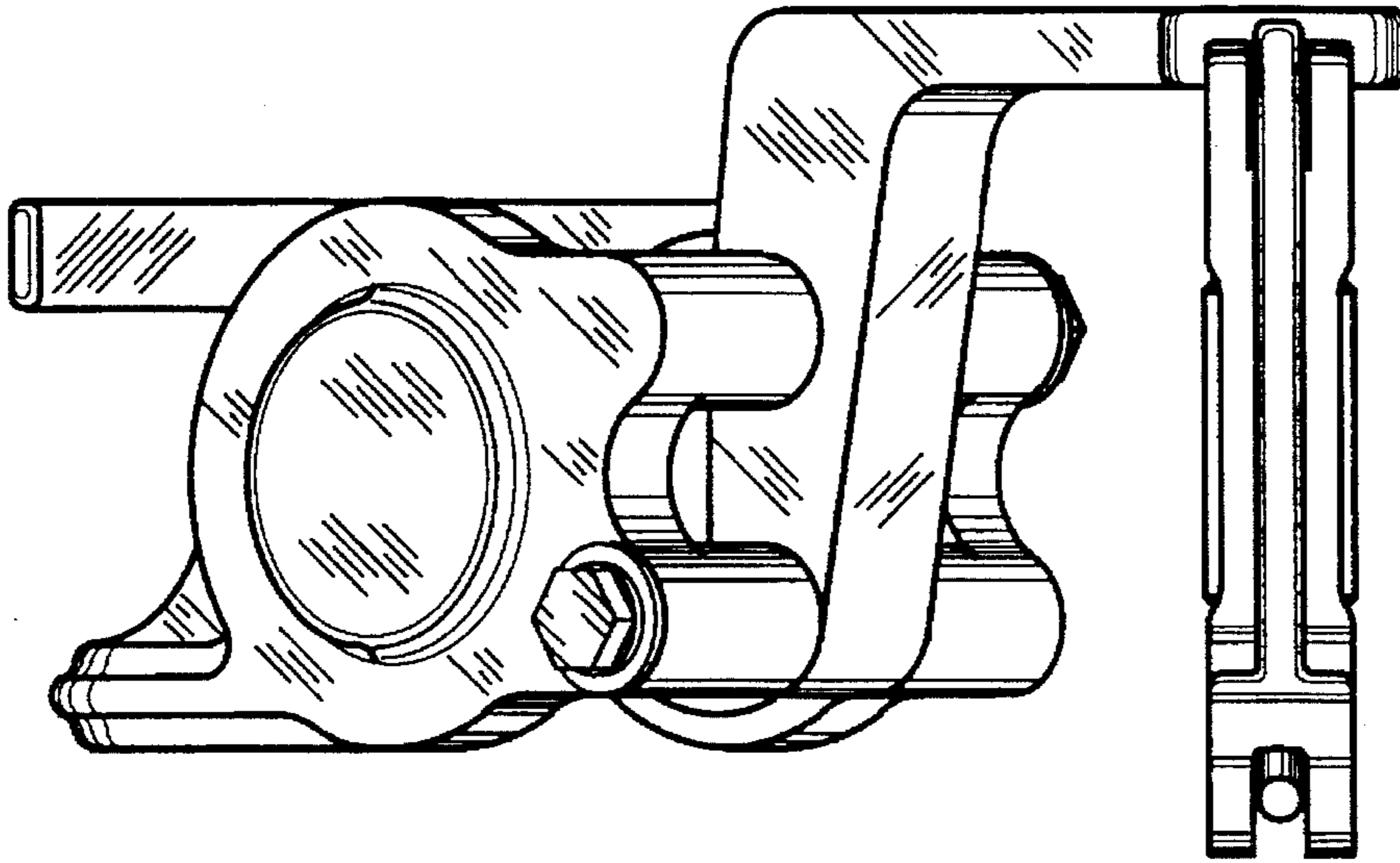


FIG. 8

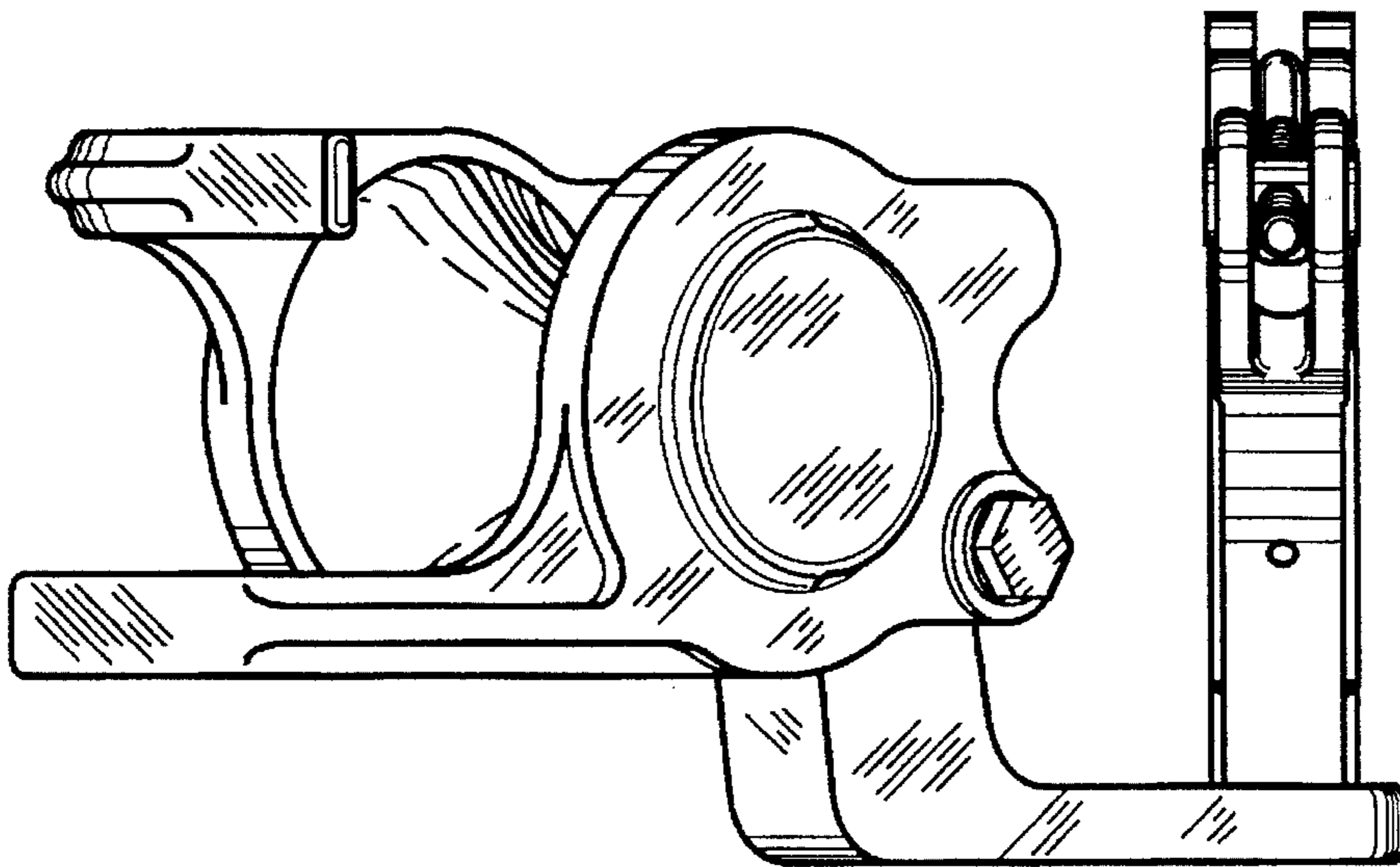


FIG. 7