



US00D369091S

United States Patent [19]

[11] Patent Number: **Des. 369,091**

Cooper

[45] Date of Patent: ****Apr. 23, 1996**

[54] **GASOLINE PUMP NOZZLE TRIGGER HOLDER**

[76] Inventor: **David Cooper**, 1015 Nome, Akron, Ohio 44320

[**] Term: **14 Years**

[21] Appl. No.: **19,211**

[22] Filed: **Feb. 25, 1994**

[52] U.S. Cl. **D8/349**

[58] Field of Search D8/349, 354, 14, D8/16, 18-19, 27; D15/9.1; 141/392; D3/2207-210; 251/90

| | | | |
|-----------|---------|-----------------|---------|
| 4,175,595 | 11/1979 | Noe | 141/1 |
| 4,201,253 | 5/1980 | Maloney | 141/392 |
| 4,210,181 | 7/1980 | Clevenger | 141/392 |
| 4,216,807 | 8/1980 | Diamond | 141/392 |
| 4,278,116 | 7/1981 | Opp | 141/392 |
| 4,722,375 | 2/1988 | Fox | 141/392 |
| 5,199,474 | 4/1993 | D'Angelo | 141/392 |

Primary Examiner—A. Hugo Word
Assistant Examiner—Holly Baynham
Attorney, Agent, or Firm—Oldham & Oldham Co.

[57] CLAIM

The ornamental design for the gasoline pump nozzle trigger holder, as shown in the accompanying drawings.

DESCRIPTION

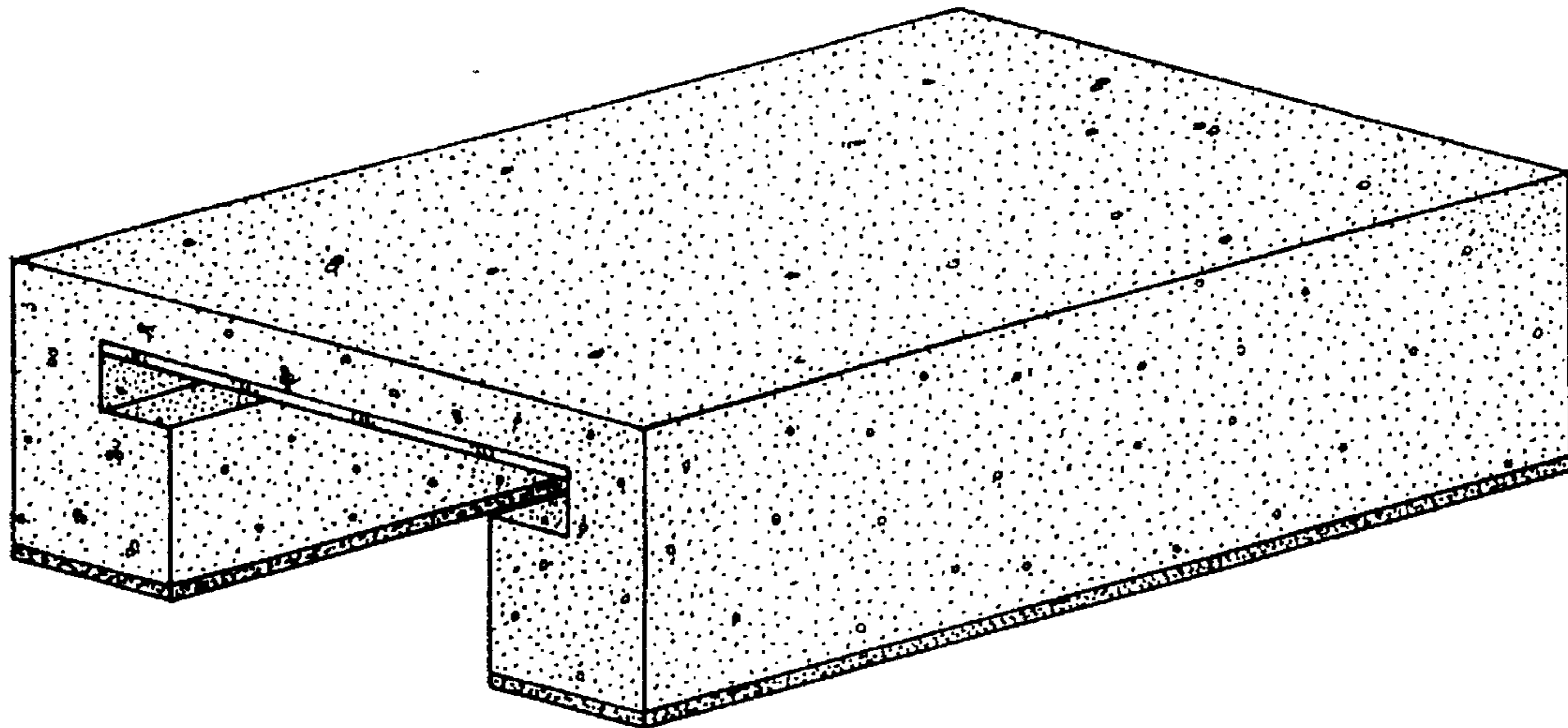
FIG. 1 is a perspective view of a gasoline pump nozzle trigger holder;
FIG. 2 is a front view thereof with the rear view being a mirror image;
FIG. 3 is a right view thereof with the left side being a mirror image;
FIG. 4 is a bottom view thereof; and,
FIG. 5 is a reduced side elevation view with a broken line showing of a gas pump nozzle being for illustrative purposes only and forming no part of the claimed design.

References Cited

U.S. PATENT DOCUMENTS

| | | | |
|------------|---------|------------------|-------------|
| D. 254,050 | 1/1980 | Fitzgerald | D8/349 |
| D. 258,114 | 2/1981 | Maynor, Jr. | D8/349 |
| D. 270,035 | 8/1983 | Pudwill | D8/349 X |
| D. 316,029 | 4/1991 | Taramaschi | D8/354 |
| D. 322,023 | 12/1991 | Livingston | D8/354 |
| D. 326,462 | 5/1992 | Cooper | D15/9.1 |
| D. 332,046 | 12/1992 | Isett | D8/349 |
| D. 355,350 | 2/1995 | Frakes | D15/9.1 X |
| 2,580,099 | 12/1951 | Jaeger | 248/206.5 |
| 2,714,479 | 8/1955 | Zeitzew | D3/207 X |
| 2,800,931 | 7/1957 | Sutcliffe . | |
| 3,514,731 | 5/1970 | Drake | 248/206.5 X |

1 Claim, 2 Drawing Sheets



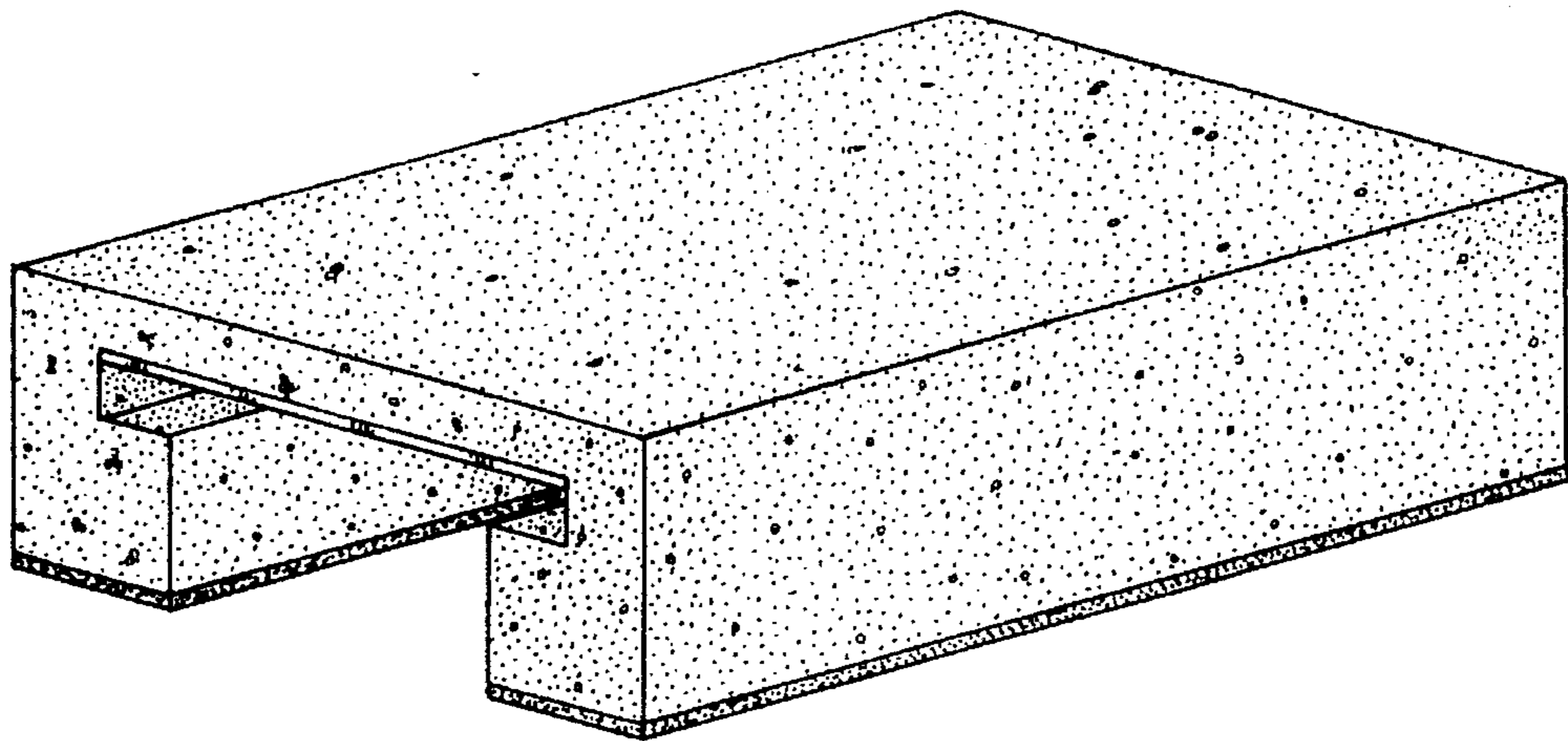


FIG. -1

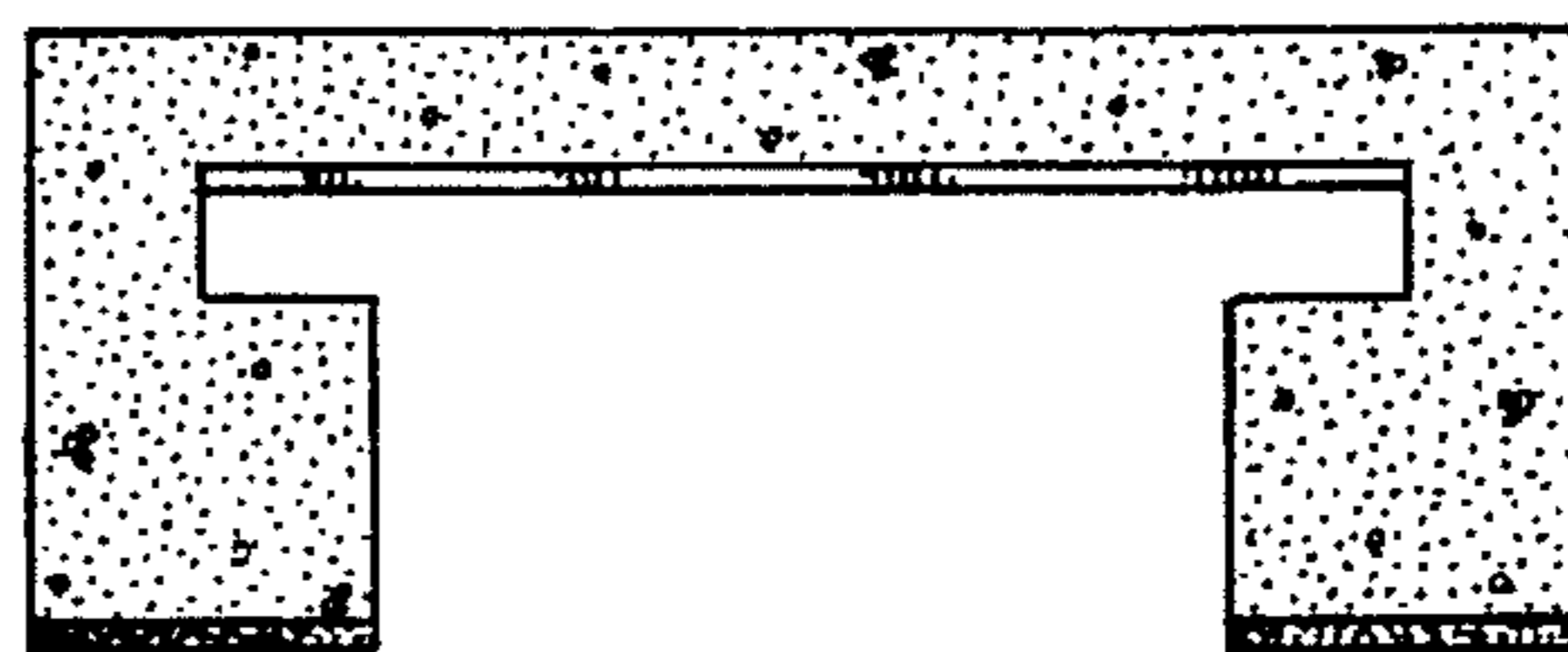


FIG. -2

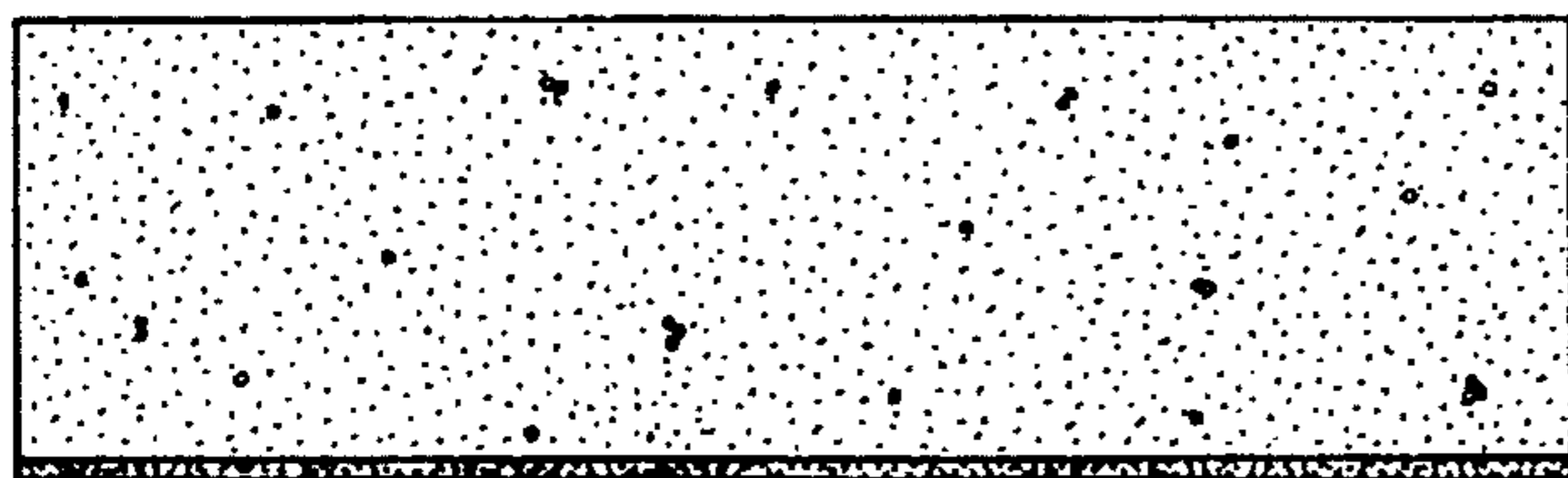


FIG. -3

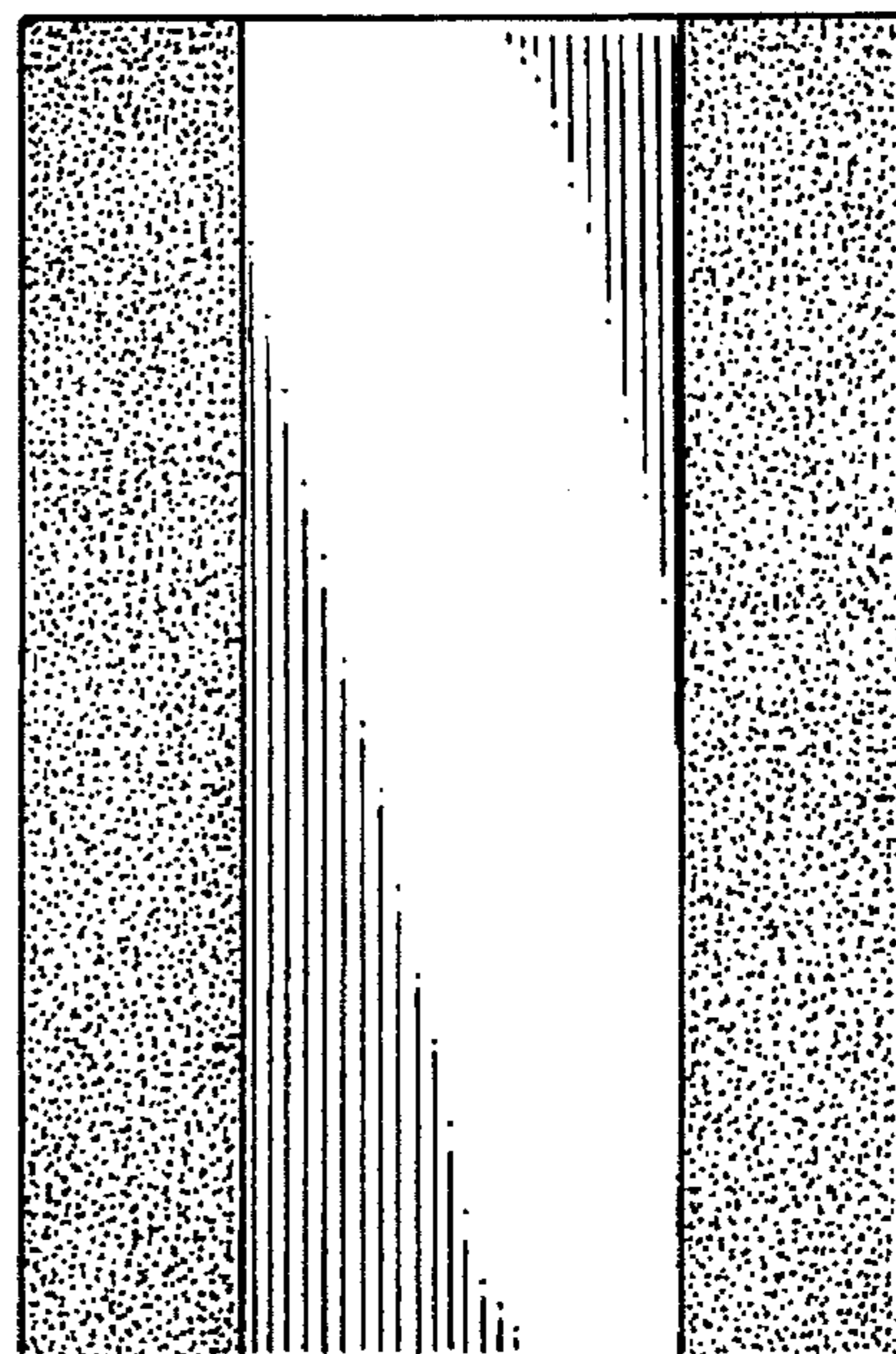


FIG. -4

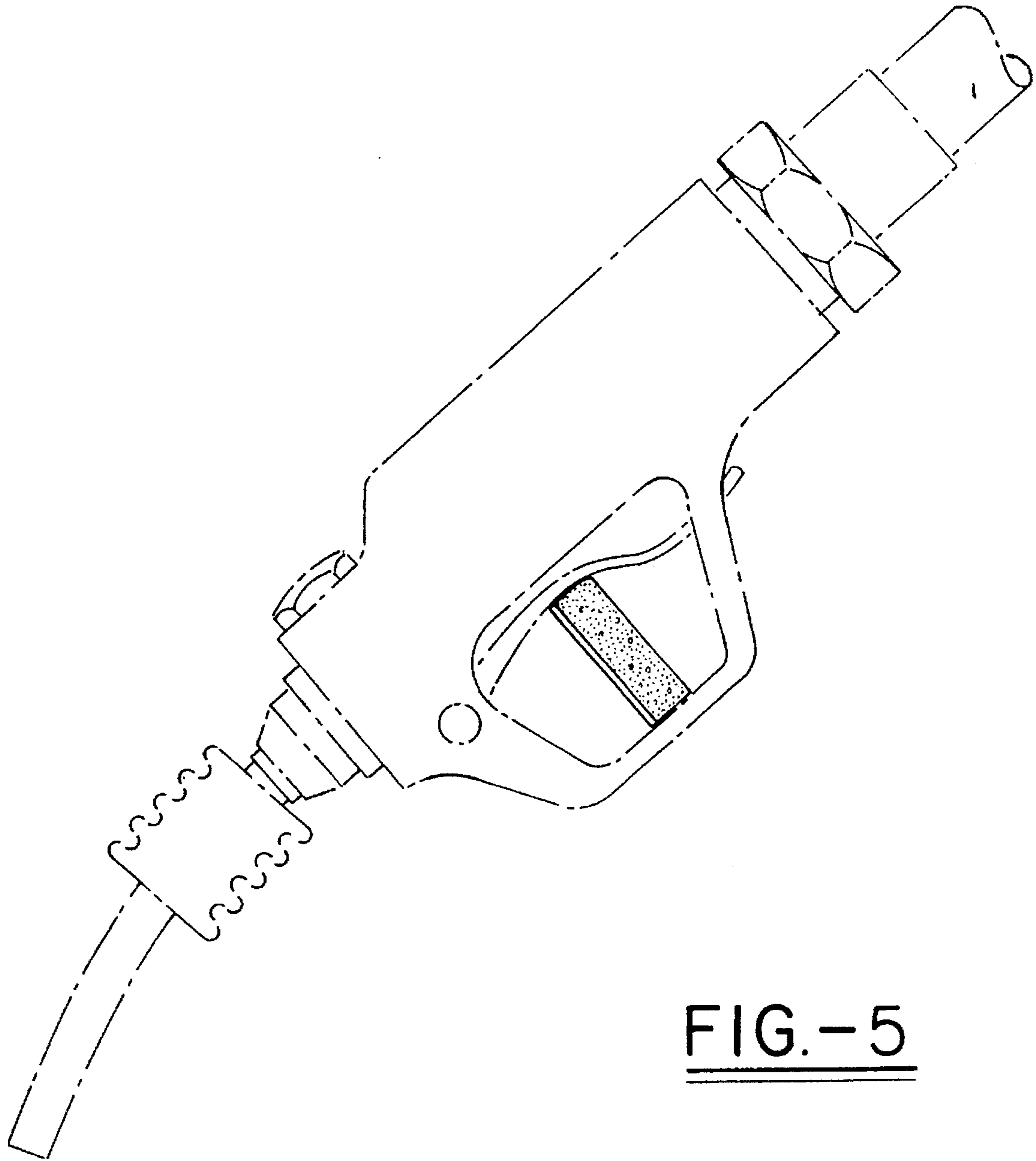


FIG.-5