



US00D369090S

United States Patent [19]

[11] Patent Number: **Des. 369,090**

Santos et al.

[45] Date of Patent: ****Apr. 23, 1996**

[54] **PADLOCK CASING**

[76] Inventors: **Roland Santos**, 201 N. Circle Mauka St., Wahiawa, Hi. 96766; **Eduardo E. Miranda**, 91-593 Kuilioloa Pl., Apt. Z-2, Ewa Beach, Hi. 96706

[**] Term: **14 Years**

[21] Appl. No.: **42,451**

[22] Filed: **Aug. 10, 1995**

[52] U.S. Cl. **D8/346**

[58] Field of Search D8/343, 346; 70/14, 70/20, 51-56, 57

4,227,388	10/1980	Nigrelli et al. .	
4,576,022	3/1986	Gamble	70/55
4,838,059	6/1989	Johnson .	
4,884,424	12/1989	Meyer .	
4,905,486	3/1990	Appelbaum .	
4,926,662	5/1990	Gaudet .	
5,275,028	1/1994	Giarrante .	

Primary Examiner—Brian N. Vinson
Attorney, Agent, or Firm—Martin E. Hsia

[57] CLAIM

The ornamental design for a padlock casing, as shown and described.

DESCRIPTION

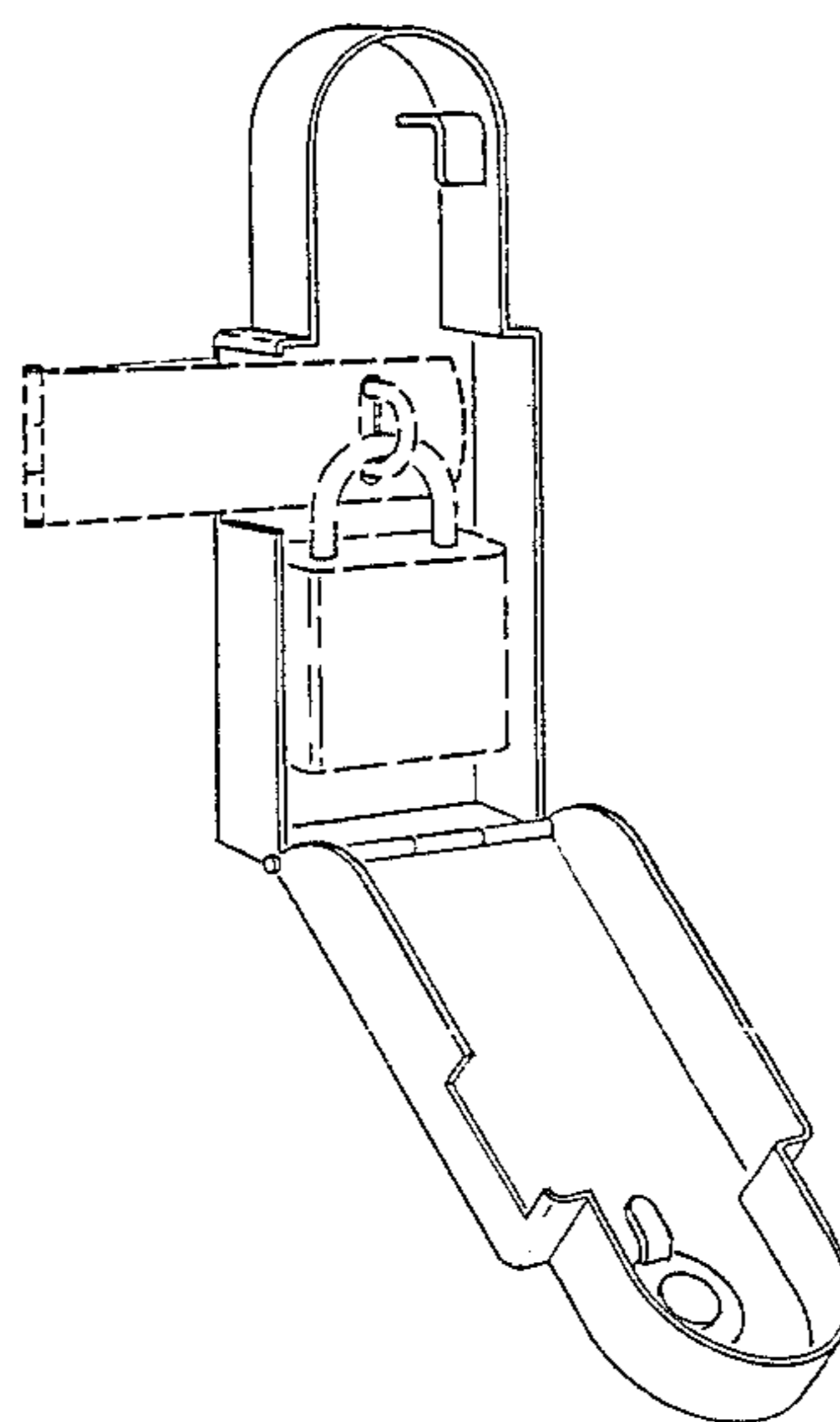
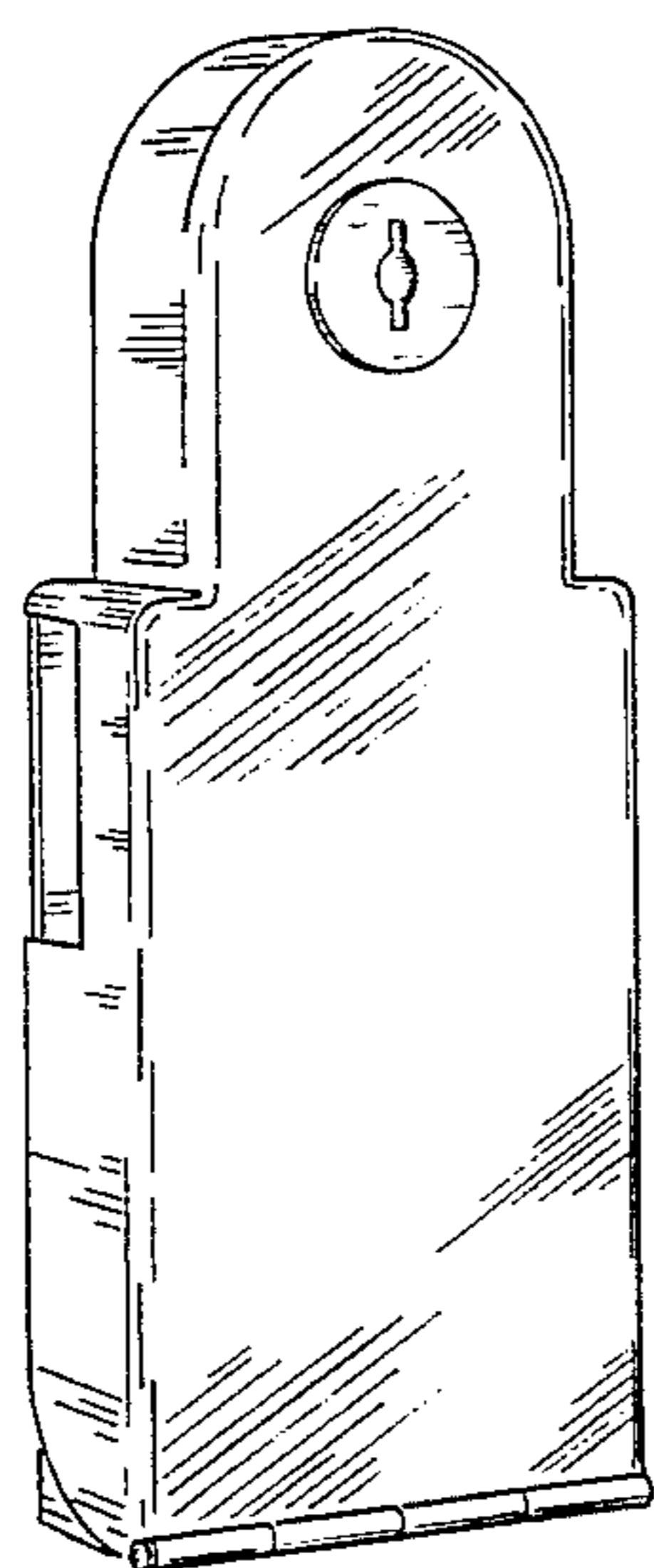
FIG. 1 is a perspective view of the padlock casing of the present invention in the closed configuration; FIG. 2 is a perspective view thereof in the open configuration, the broken line showing of a hasp, staple and padlock being for illustrative purposes only and forming no part of the claimed design; FIG. 3 is a perspective view of the rear portion thereof with the front portion omitted for clarity and with the broken line showing of the staple plate and staple retaining the padlock casing in place being for illustrative purposes only and forming no part of the claimed design; and, FIG. 4 is a front view of the rear portion thereof, the rear view identical.

1 Claim, 2 Drawing Sheets

[56] References Cited

U.S. PATENT DOCUMENTS

256,902	4/1882	Kirk .	
D. 301,682	6/1989	Gardenswartz	D8/346 X
D. 317,557	6/1991	Poe	D8/346
D. 318,008	7/1991	Appelbaum	D8/346
416,433	12/1889	Wilson .	
547,550	10/1895	Hopkins .	
1,055,865	3/1913	Boll .	
1,136,582	4/1915	Birdsong .	
1,220,941	3/1917	Bowers .	
1,244,404	10/1917	Ankovitz .	
1,429,105	9/1922	Rudy .	
2,883,849	4/1959	Lorenzo .	
3,889,500	6/1975	Hix et al. .	



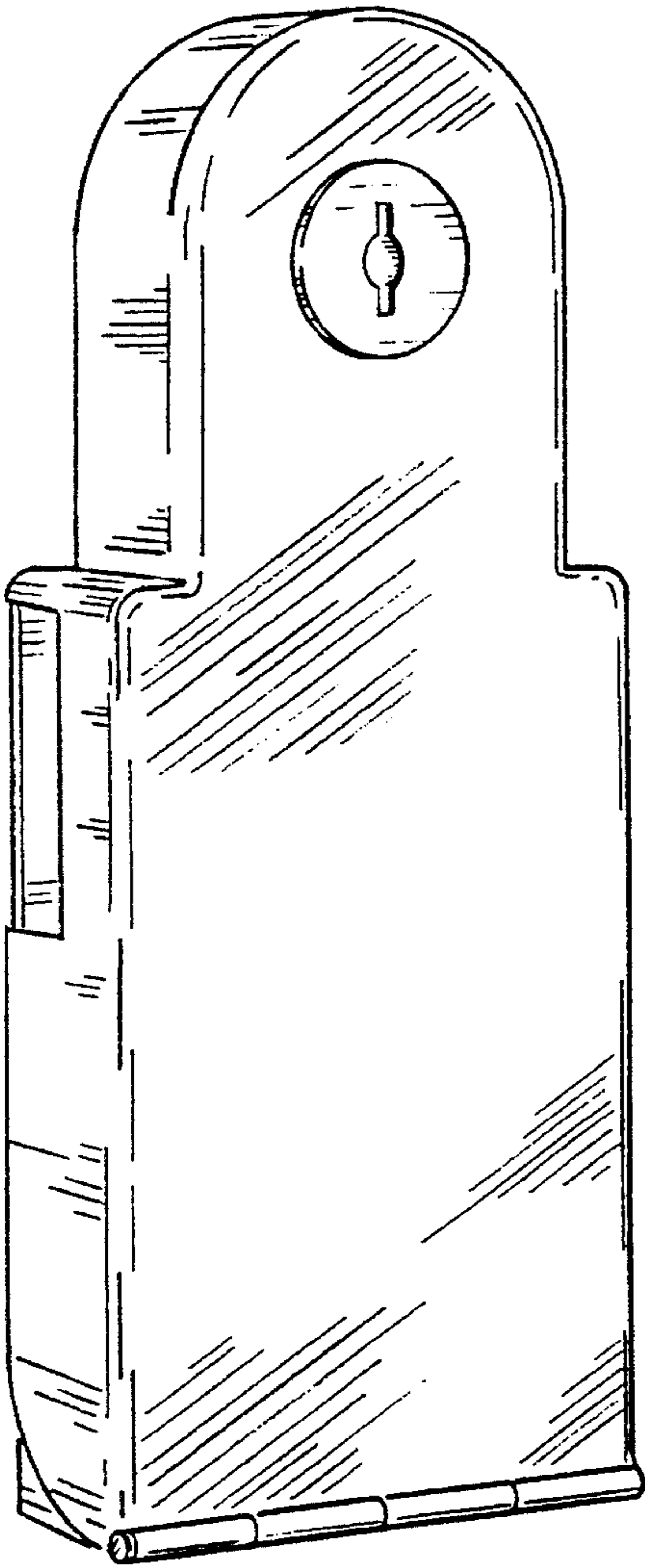


Fig. 1

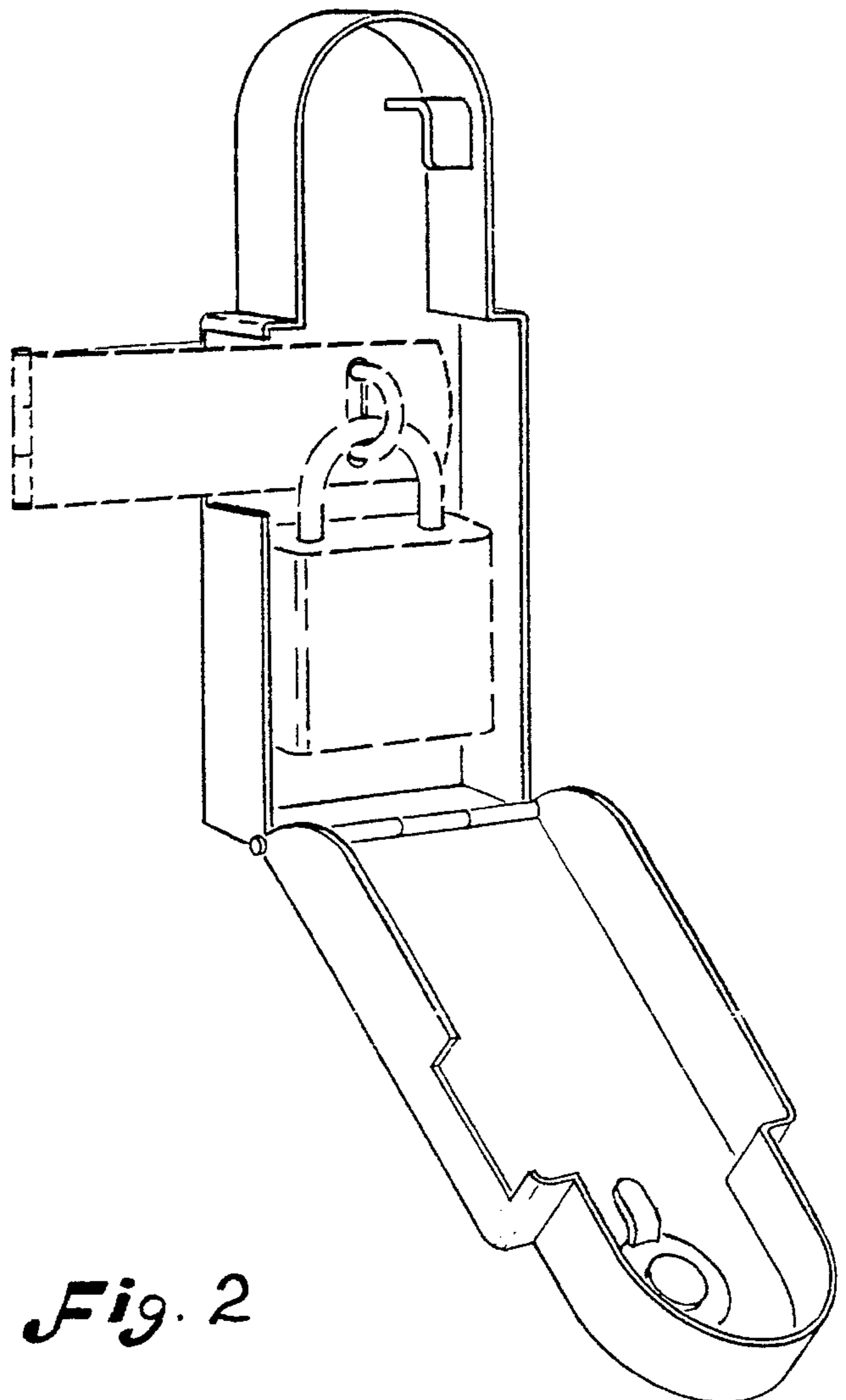


Fig. 2

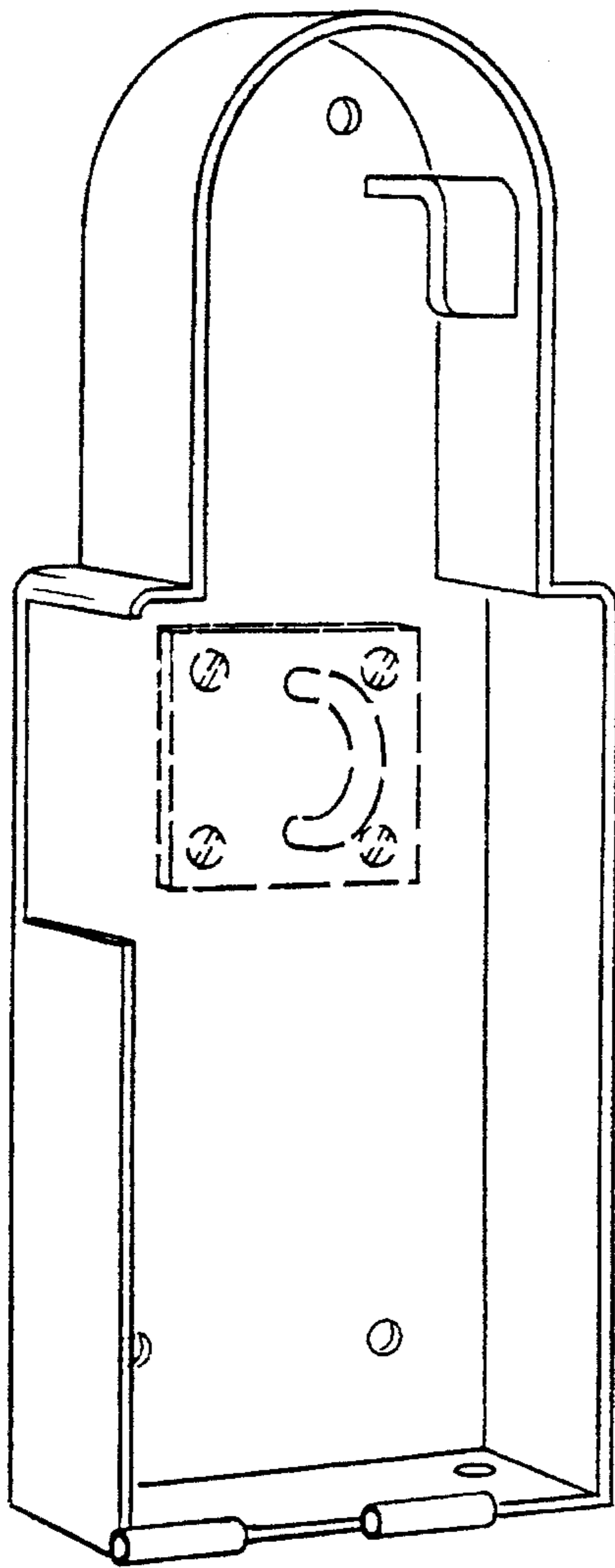


Fig. 3

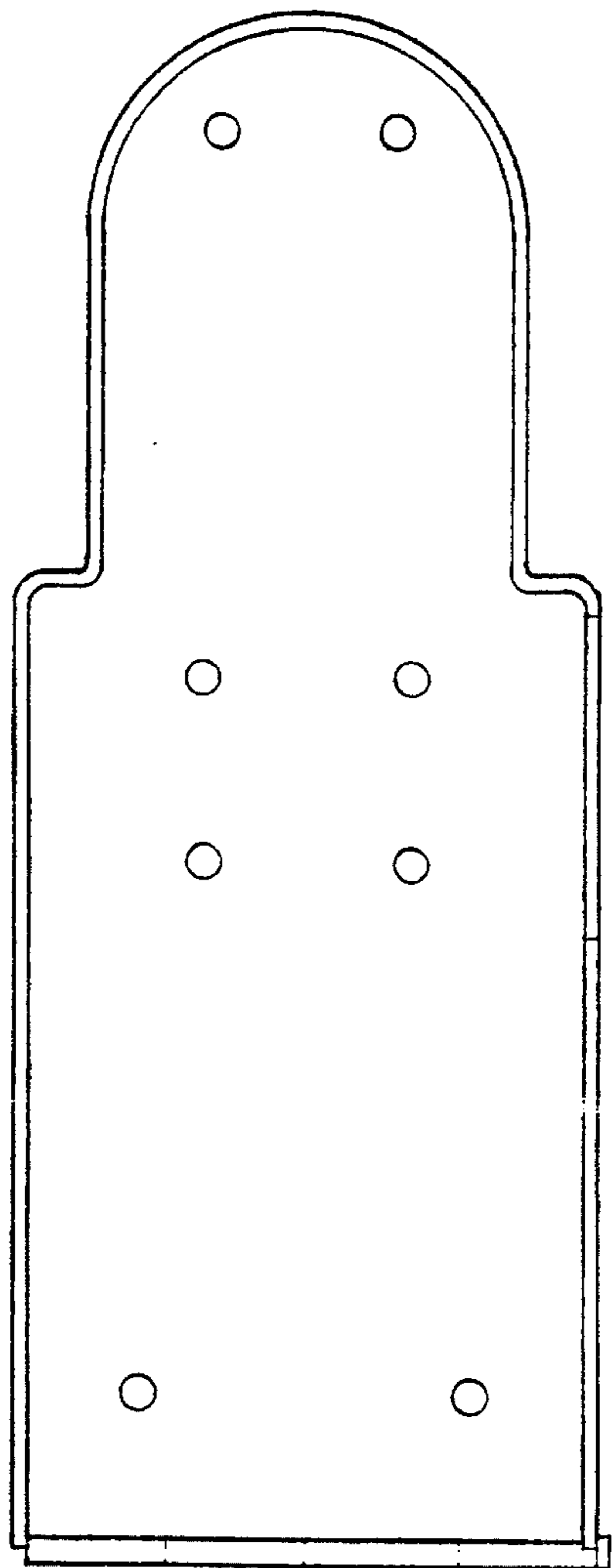


Fig. 4