



US00D369088S

United States Patent [19] Brendel

[11] Patent Number: **Des. 369,088**

[45] Date of Patent: ****Apr. 23, 1996**

[54] **BICYCLE LOCK**

[75] Inventor: **Fred Brendel**, München, Germany

[73] Assignee: **EASEC-Schloss-Production GmbH & Co. KG**, Telgte, Germany

[**] Term: **14 Years**

[21] Appl. No.: **39,959**

[22] Filed: **Jun. 7, 1995**

D. 267,470 1/1983 Scherbing D8/333
 D. 332,387 1/1993 Ling D8/333
 D. 339,054 9/1993 Saito D8/333
 3,906,758 9/1975 Hurwitt 70/233
 4,068,504 1/1978 Pickard 70/14 X

Primary Examiner—Brian N. Vinson
Attorney, Agent, or Firm—Keck, Mahin & Cate

[57] CLAIM

The ornamental design for a bicycle lock, as shown and described.

Related U.S. Application Data

[62] Division of Ser. No. 21,105, Apr. 8, 1994.
 [52] U.S. Cl. **D8/333**
 [58] Field of Search D8/330-331, 333;
 70/14, 18, 20, 22-23, 30, 49, 57-58, 174,
 62, 233, 226

DESCRIPTION

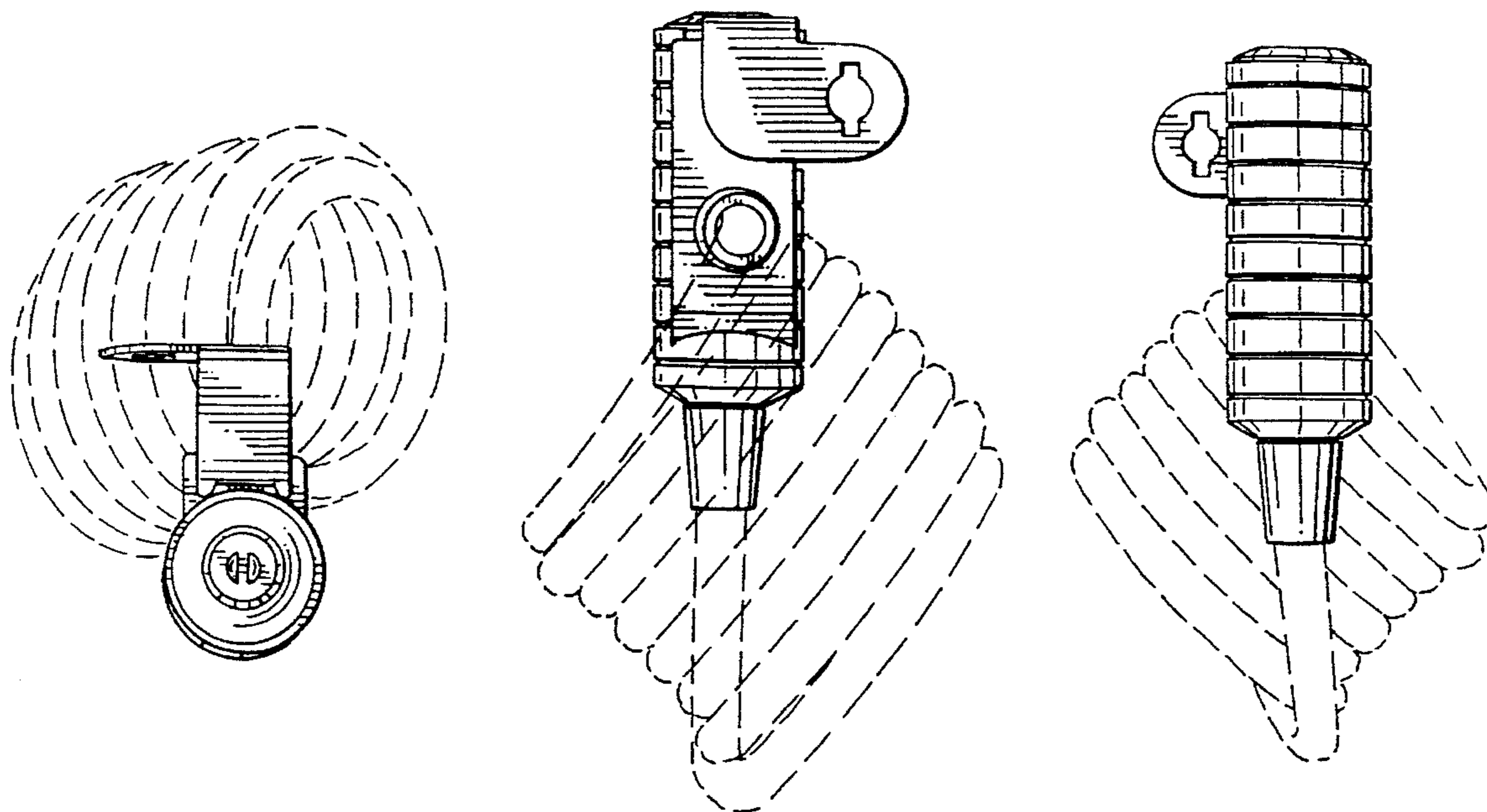
FIG. 1 is a left side elevational view of a bicycle lock showing my new design;
 FIG. 2 is a right side elevational view thereof;
 FIG. 3 is a bottom plan view thereof;
 FIG. 4 is a top plan view thereof;
 FIG. 5 is a rear elevational view thereof; and,
 FIG. 6 is a front elevational view thereof.
 The broken-line disclosure of the cable is for illustrative purposes only and forms no part of the claimed design.

[56] References Cited

U.S. PATENT DOCUMENTS

D. 242,111 11/1976 Proskin D8/333
 D. 242,983 1/1977 Saitou D8/333

1 Claim, 2 Drawing Sheets



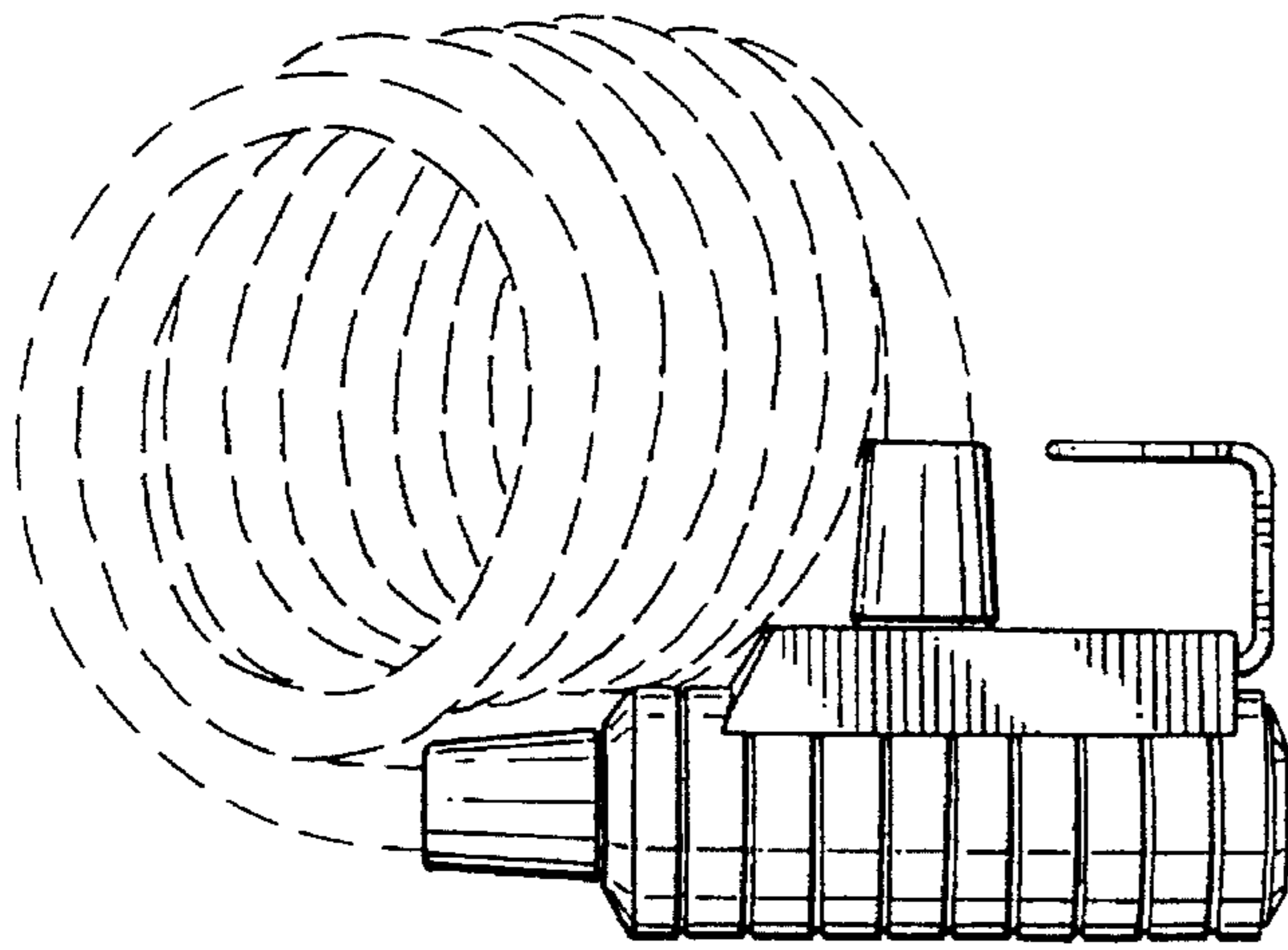


FIG. 1

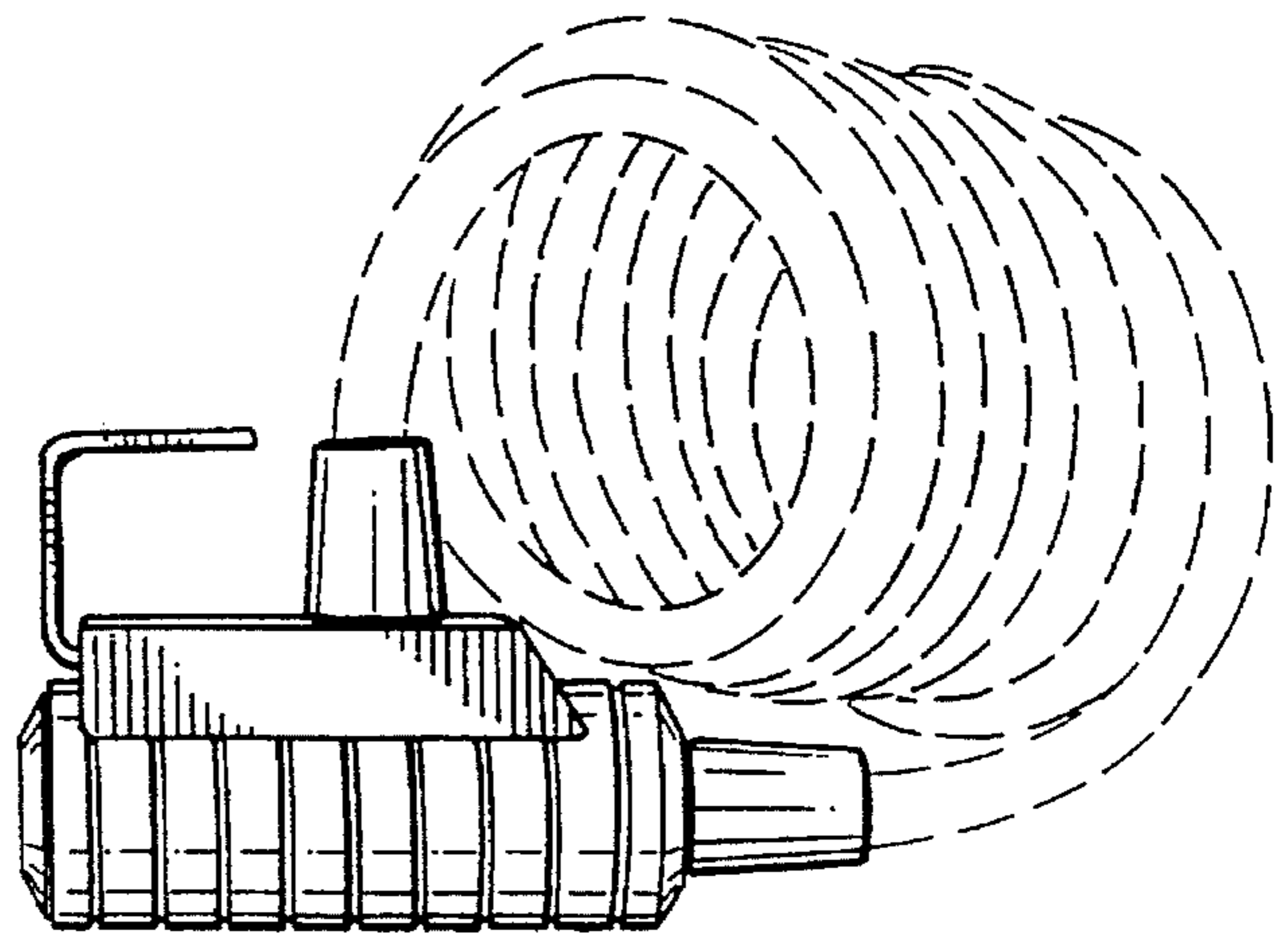


FIG. 2

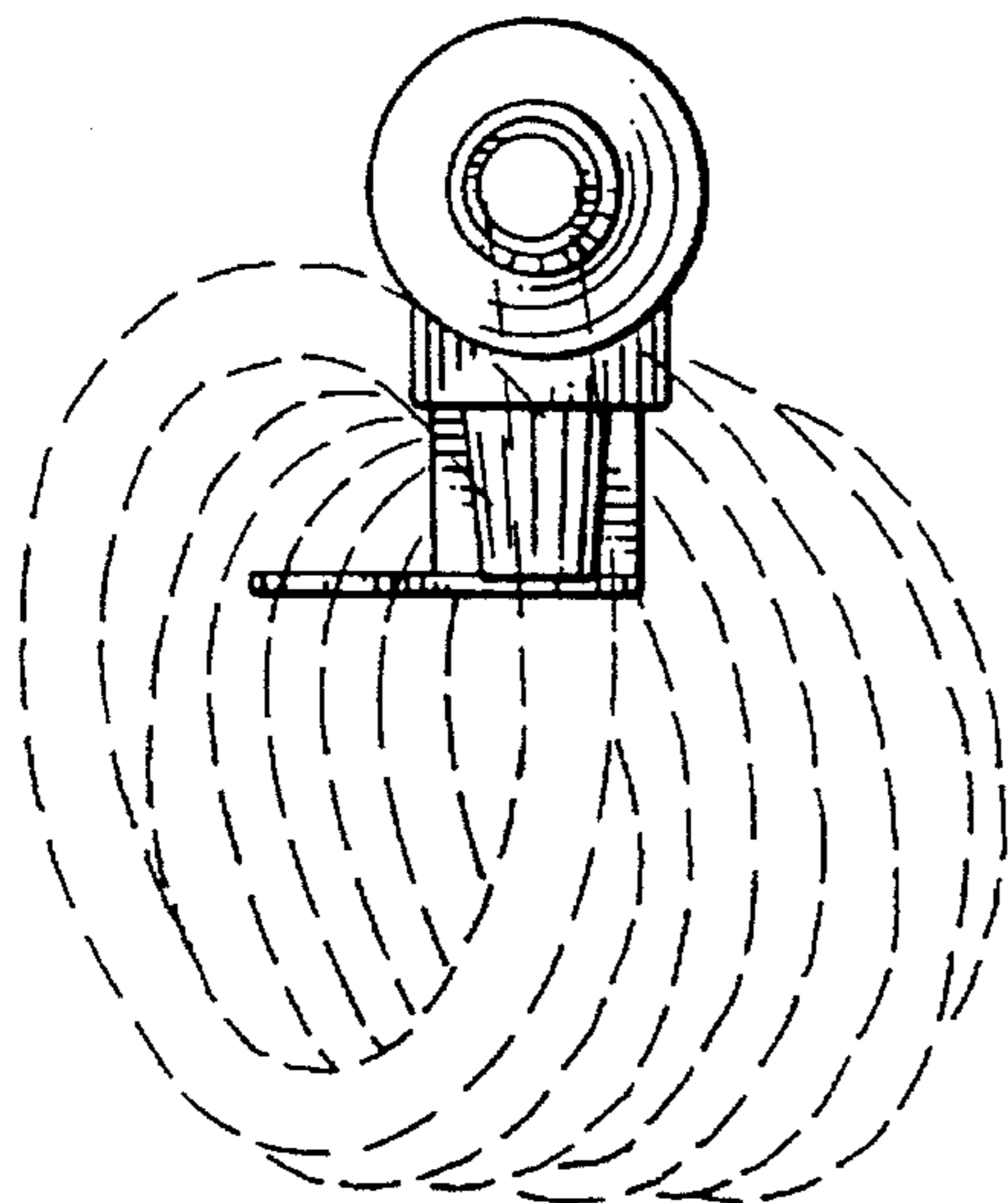


FIG. 3

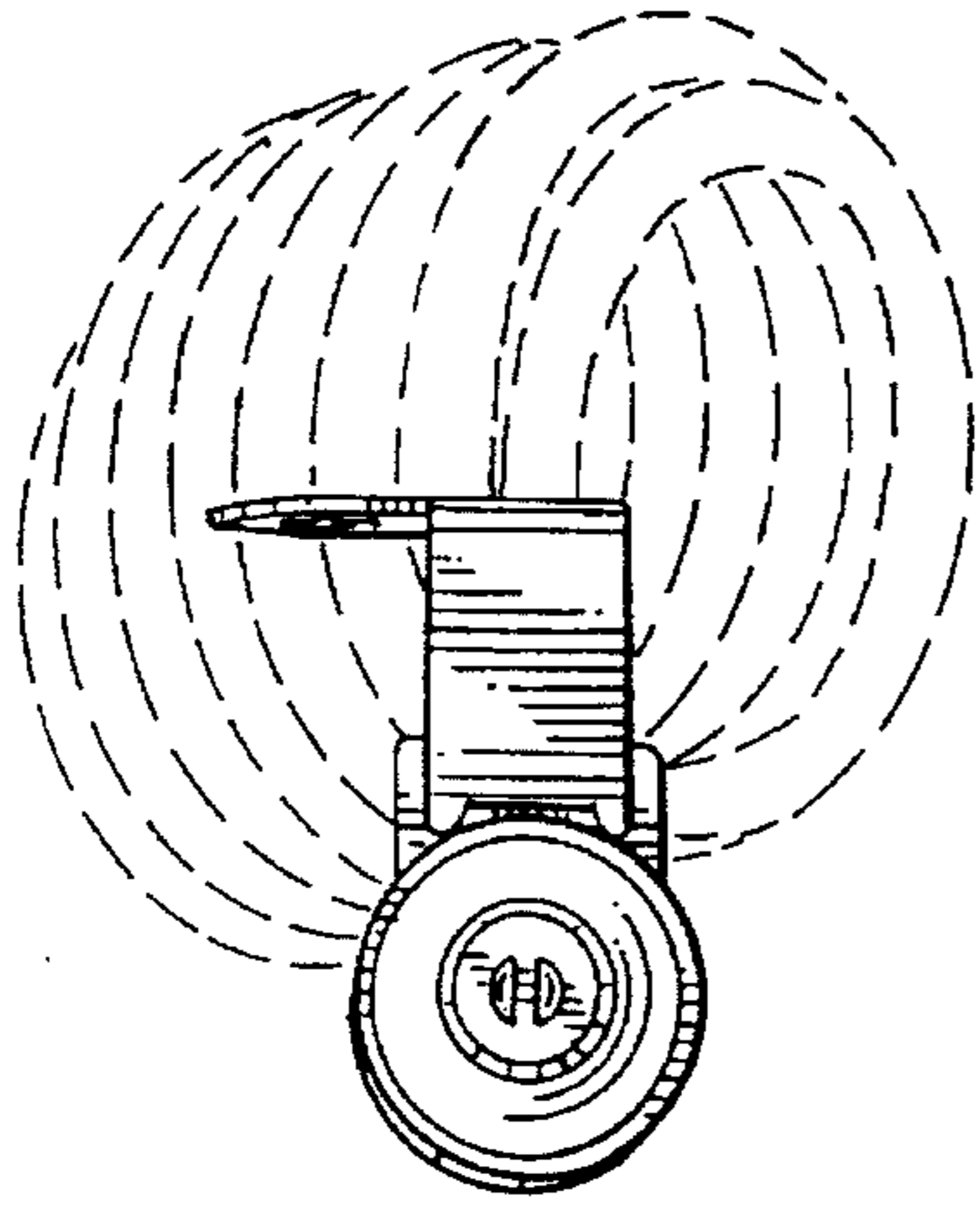


FIG. 4

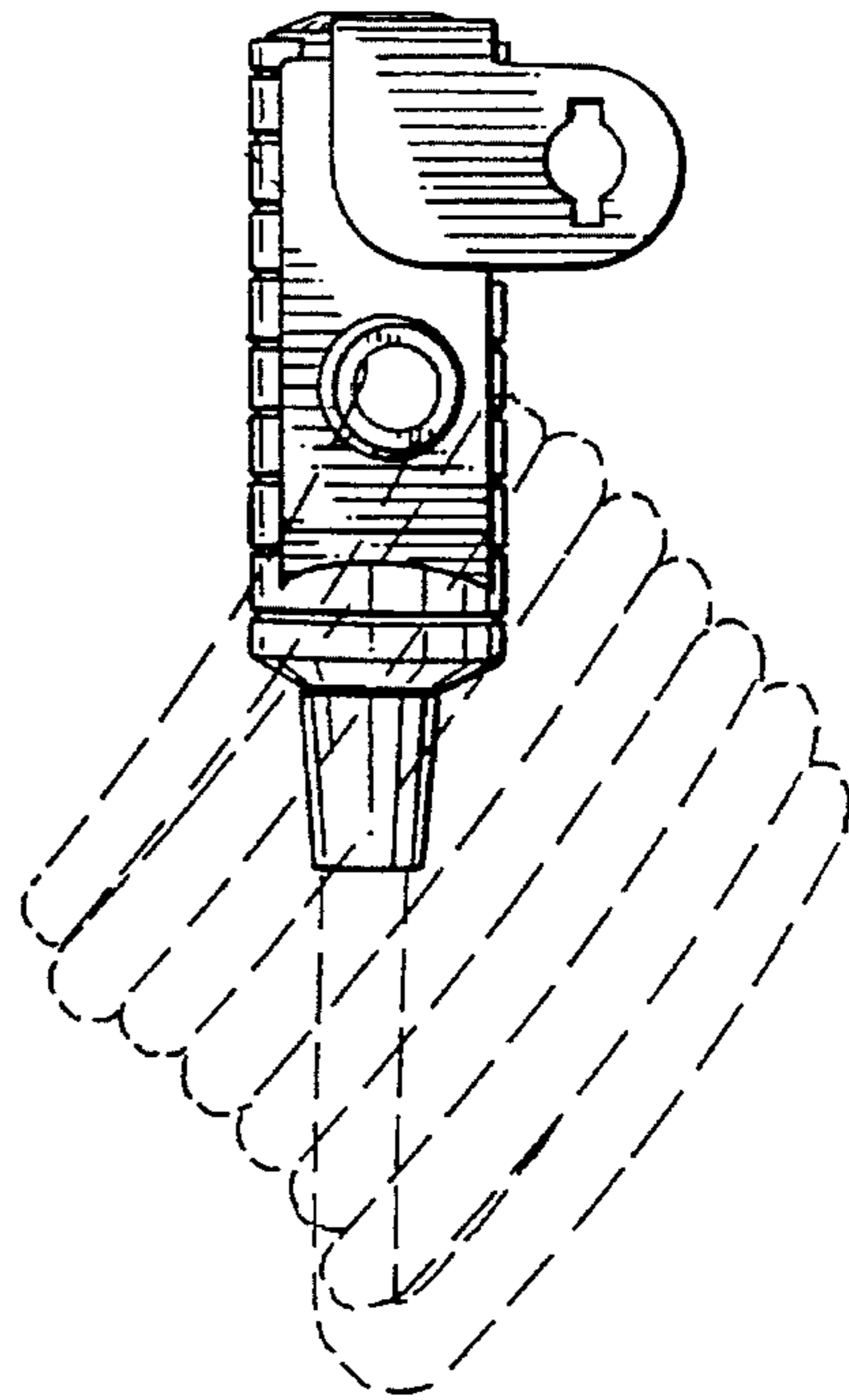


FIG. 5

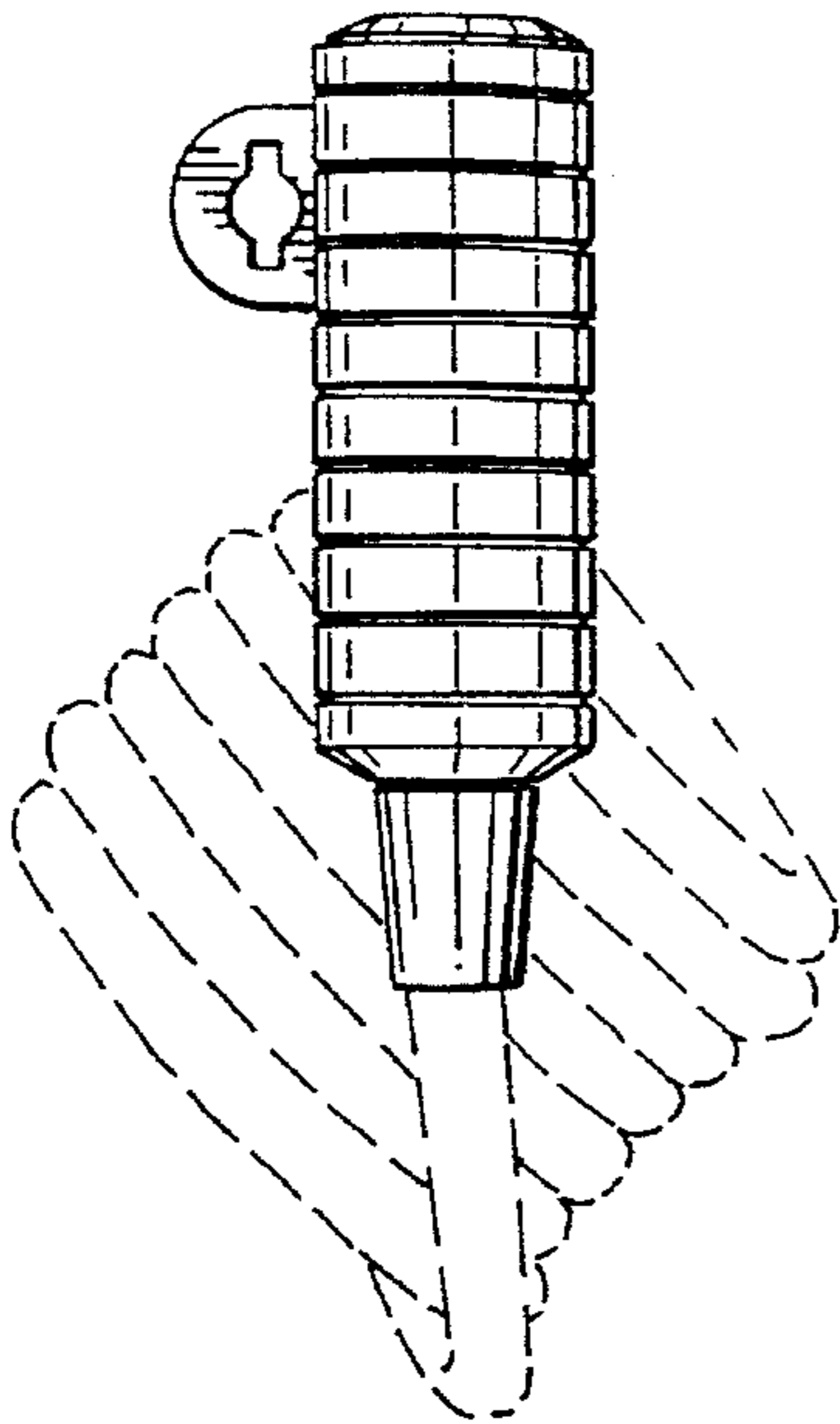


FIG. 6