



US00D369084S

# United States Patent [19]

McConnell et al.

[11] Patent Number: **Des. 369,084**

[45] Date of Patent: **\*\*Apr. 23, 1996**

[54] **FRONT PORTION OF A PADDLE HANDLE ASSEMBLY**

[75] Inventors: **Kenneth L. McConnell; Mark B. Brown**, both of New Hampton, Iowa; **Bruce A. Bennett**, Granger, Ind.

[73] Assignee: **Tri/Mark Corp.**, New Hampton, Iowa

[\*\*] Term: **14 Years**

[21] Appl. No.: **19,077**

[22] Filed: **Feb. 23, 1994**

[52] U.S. Cl. .... **D8/302; D6/306; D6/313**

[58] Field of Search ..... **D8/306, 313, 301, D8/302; 292/216, 336.3, DIG. 31; 70/208**

[56] **References Cited**

**U.S. PATENT DOCUMENTS**

D. 303,618	9/1989	Russell et al. ....	D8/302
D. 346,731	5/1994	Larsen et al. ....	D8/301
4,412,696	11/1983	Ishii et al. ....	292/336.3
4,653,143	3/1987	Ketelhut et al. ....	292/336.3
5,007,668	4/1991	DiGiusto ....	292/216

*Primary Examiner*—B. J. Bullock  
*Attorney, Agent, or Firm*—Wood, Phillips, VanSanten, Clark & Mortimer

[57] **CLAIM**

The ornamental design for a front portion of a paddle handle assembly, as shown and described.

**DESCRIPTION**

FIG. 1 is a right, front and top perspective view of our design for a front portion of a paddle handle assembly with a paddle thereon in a closed position;  
FIG. 2 is a right, front and top perspective view thereof with the paddle thereon in an open position;  
FIG. 3 is a plan view thereof;  
FIG. 4 is a front elevation view thereof;  
FIG. 5 is a right side elevation view thereof;  
FIG. 6 is a bottom view thereof; and,  
FIG. 7 is a left side elevation view.  
The broken line showing of the rear portion of the paddle assembly is for illustrative purposes only and forms no part of the claimed design.

**1 Claim, 2 Drawing Sheets**

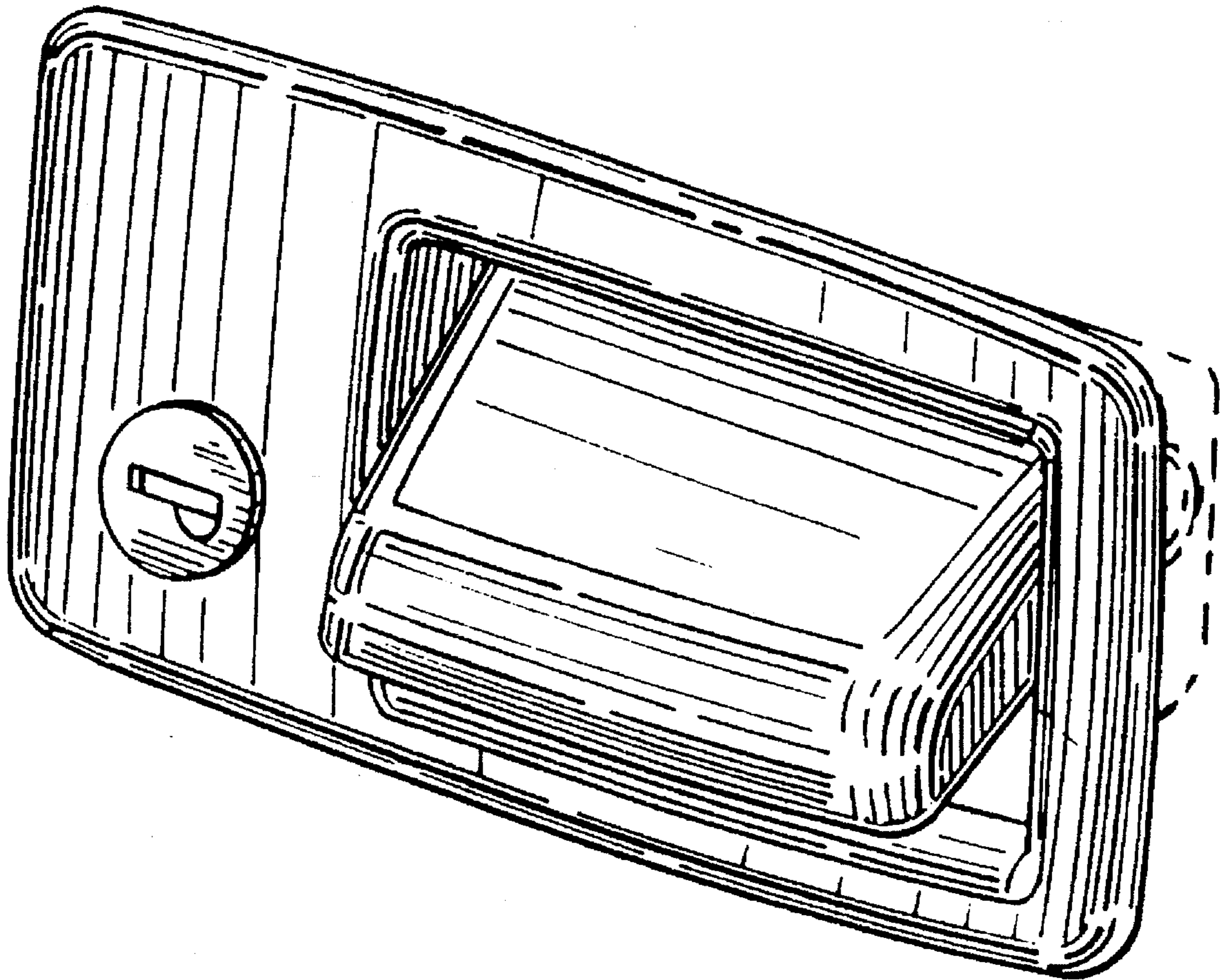


Fig. 1

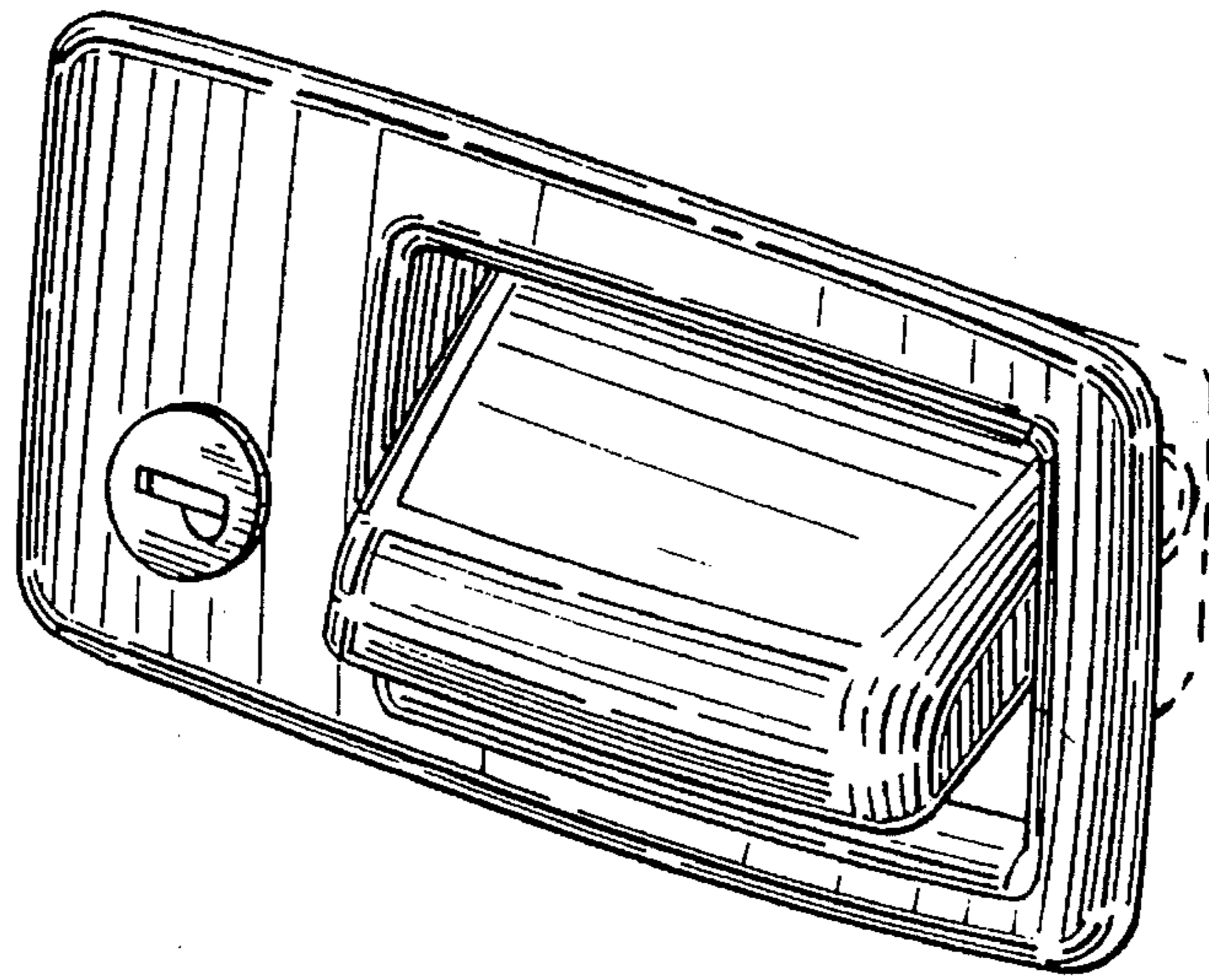


Fig. 2

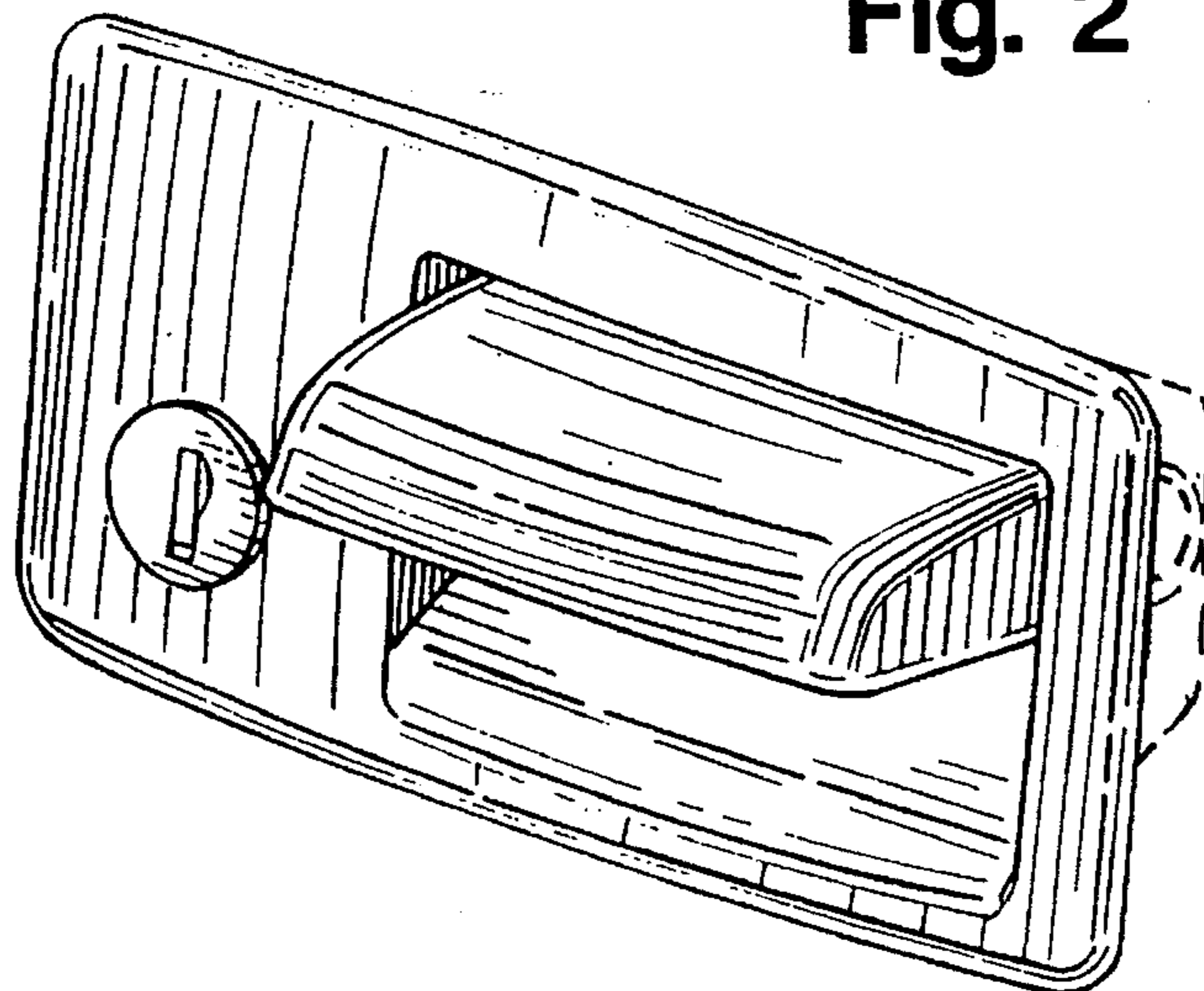


Fig. 3

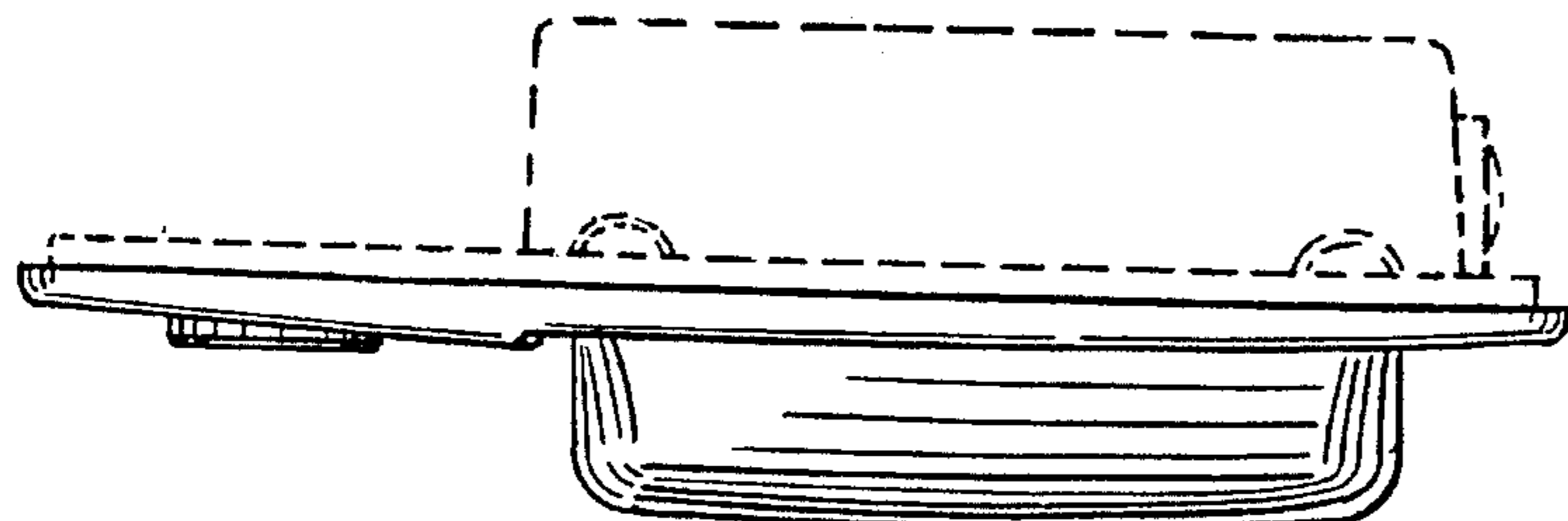


Fig. 4

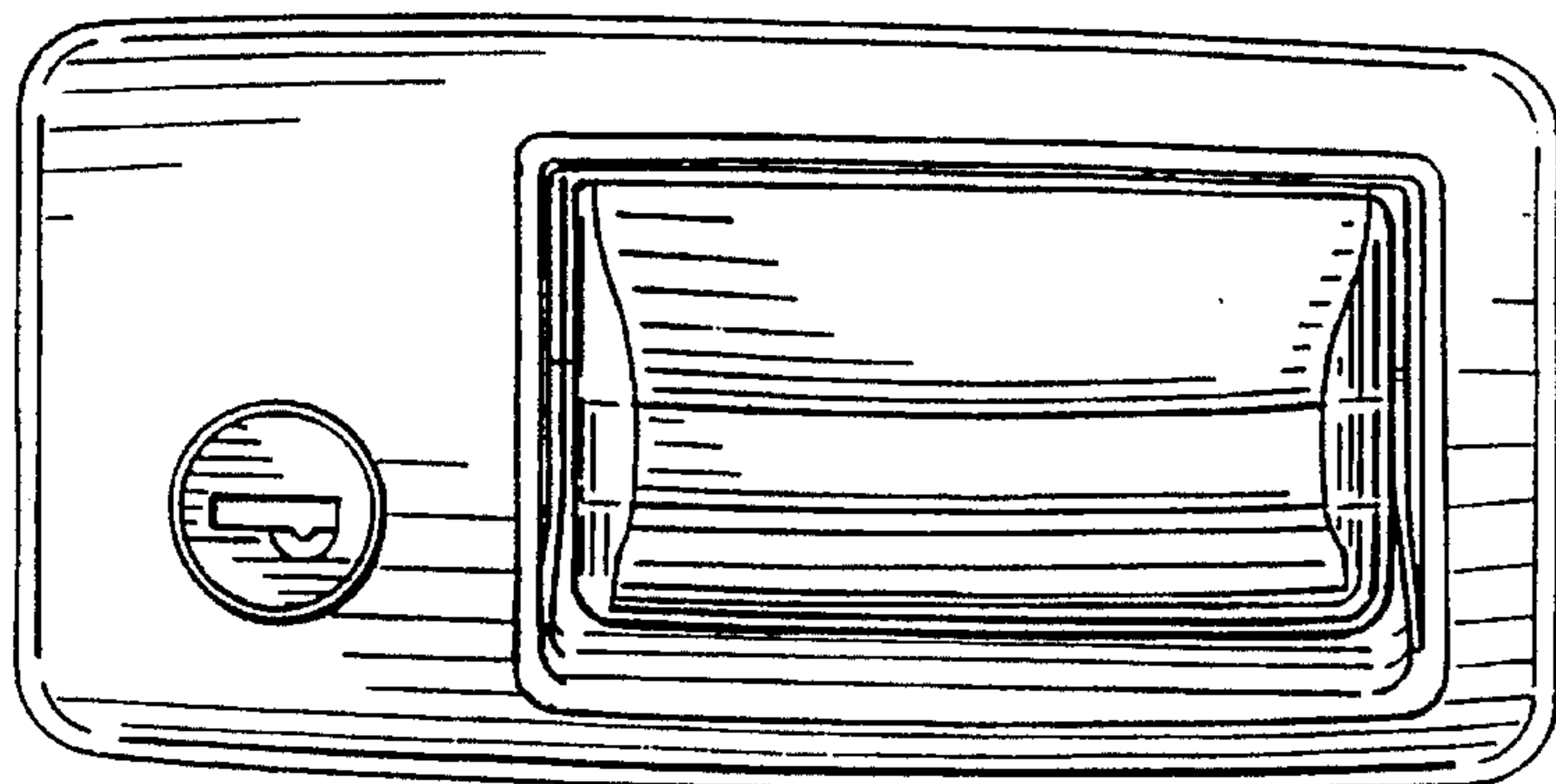


Fig. 5

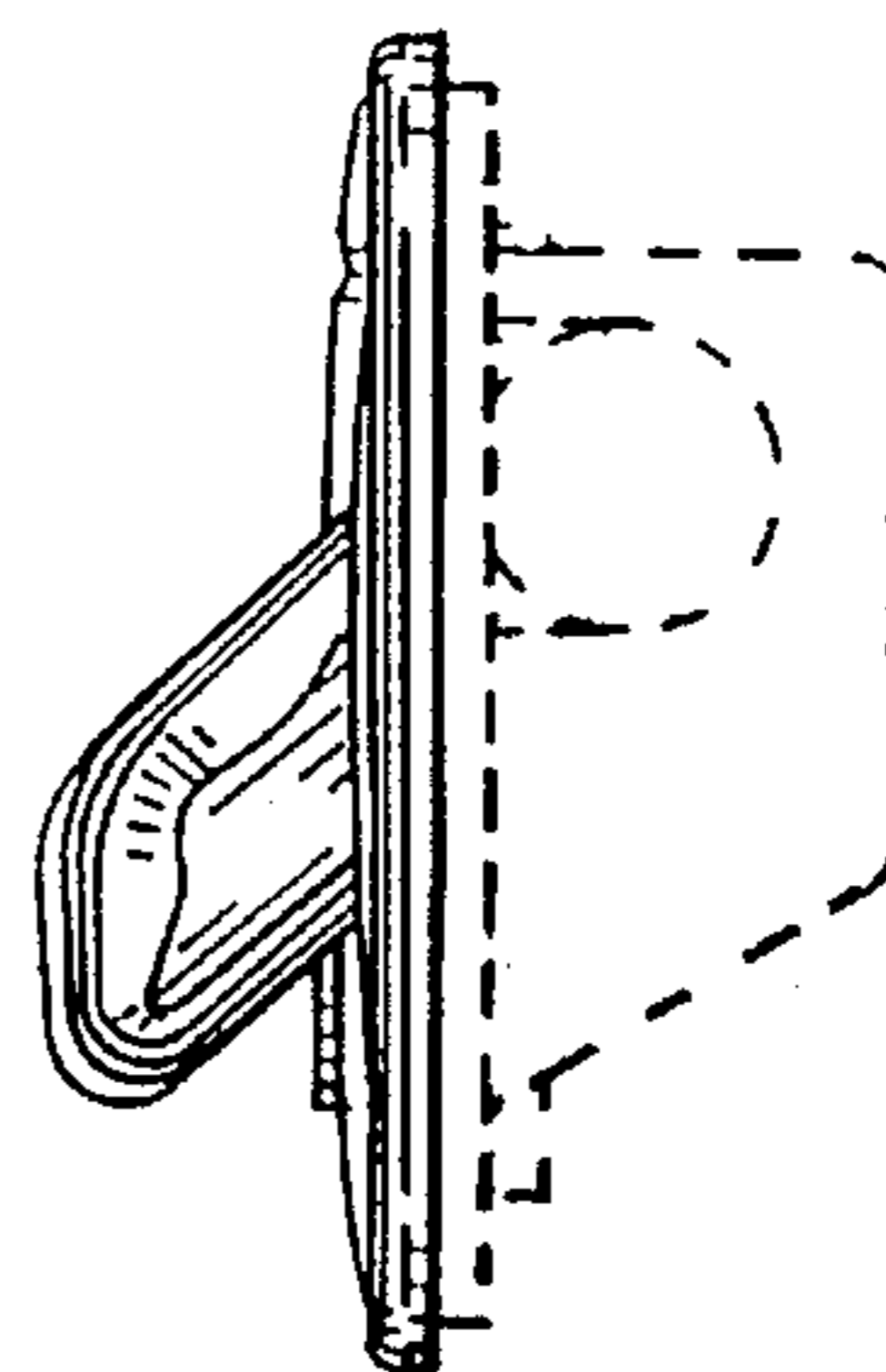


Fig. 7

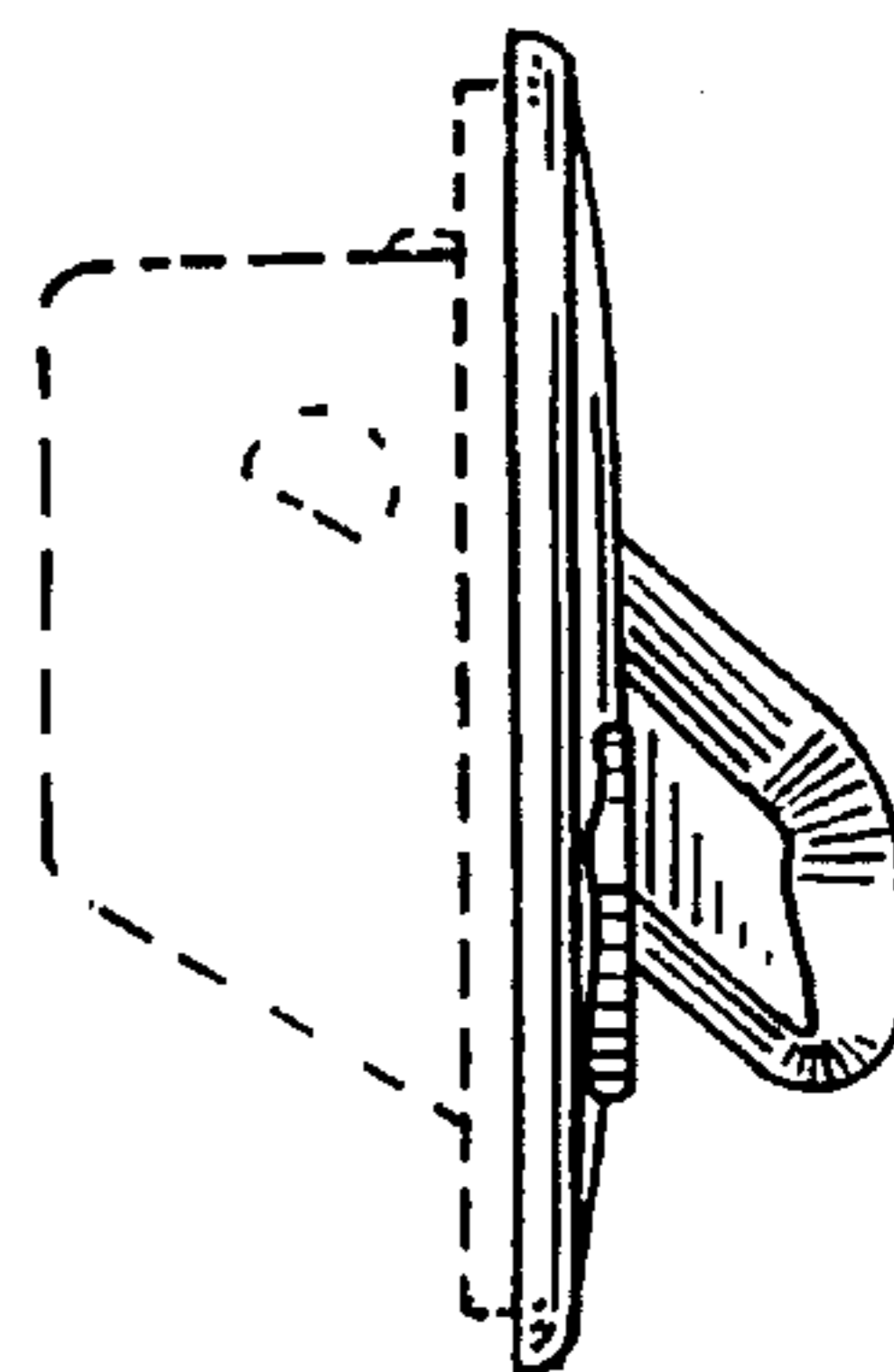


Fig. 6

