



US00D369081S

United States Patent [19]

Byers et al.

[11] Patent Number: **Des. 369,081**

[45] Date of Patent: ****Apr. 23, 1996**

[54] SHARPENING AND DEBURRING TOOL

[76] Inventors: **Gary L. Byers; Timothy W. Byers,**
both of P.O. Box 550, Whitefish, Mont.
59937

[**] Term: **14 Years**

[21] Appl. No.: **26,739**

[22] Filed: **Aug. 4, 1994**

[52] U.S. Cl. **D8/91; D8/93**

[58] Field of Search **D8/90, 91, 92,**
D8/93; 76/82, 86, 88; 451/540, 548, 549,
552, 555, 557, 558, 262, 267

[56] **References Cited**

U.S. PATENT DOCUMENTS

4,418,588	12/1983	Byers	76/88
4,494,340	1/1985	Carter	451/555
4,530,188	7/1985	Graves	451/555
4,550,632	11/1985	Inman	76/86
4,731,957	3/1988	Weisinger	451/555

4,751,795	6/1988	Jenne	451/555
5,040,435	8/1991	Millman	76/86
5,163,251	11/1992	Lee	451/555
5,291,805	3/1994	Byers et al.	76/88

Primary Examiner—Philip S. Hyder
Attorney, Agent, or Firm—Harry M. Cross, Jr.

[57] **CLAIM**

The ornamental design for a sharpening and deburring tool, as shown and described.

DESCRIPTION

FIG. 1 is a perspective view of a sharpening and deburring tool, showing our new design;
FIG. 2 is a right side elevational view thereof;
FIG. 3 is a front elevational view thereof;
FIG. 4 is a rear elevational view thereof;
FIG. 5 is a top plan view thereof; and,
FIG. 6 is a bottom plan view thereof.

1 Claim, 2 Drawing Sheets

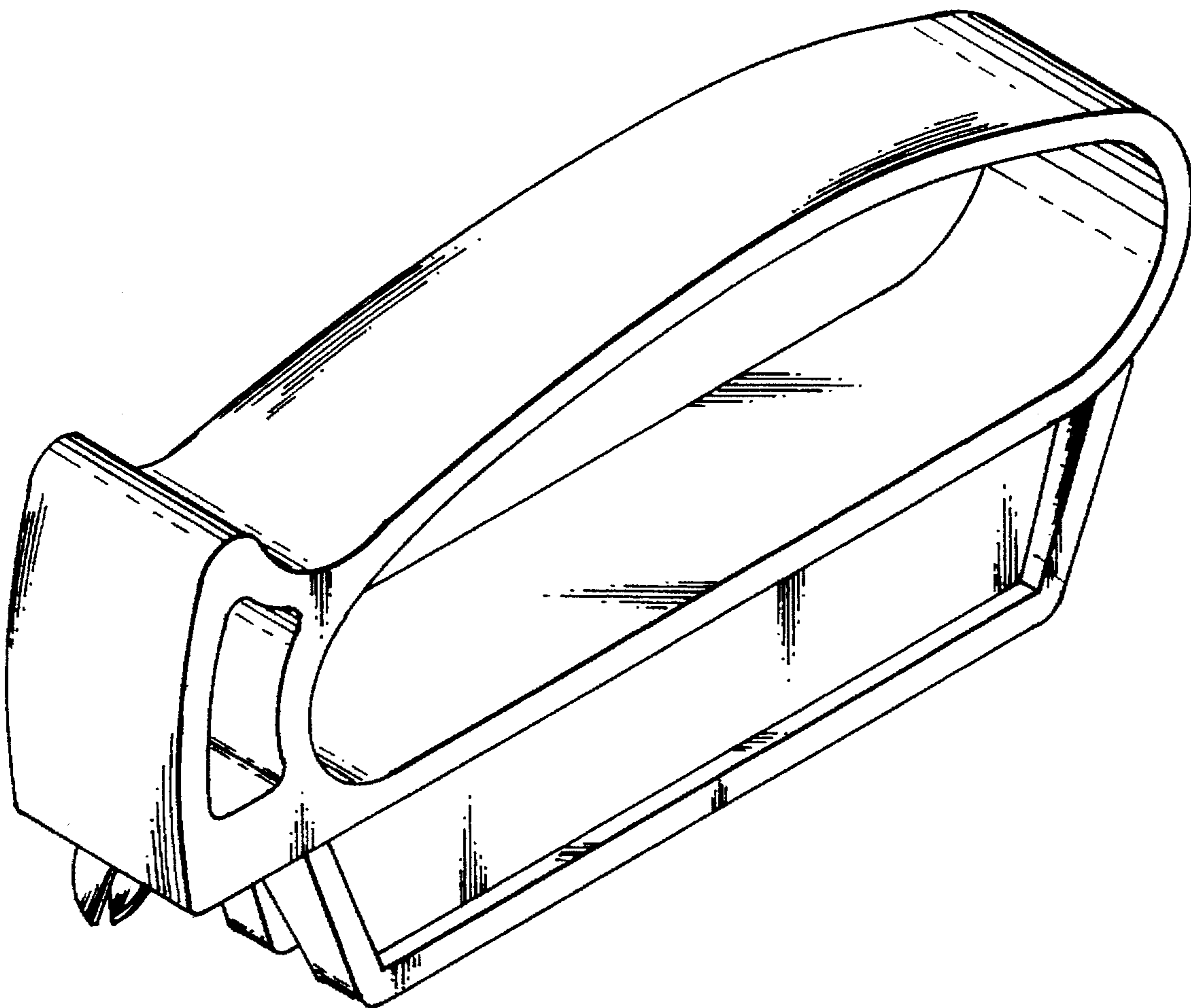


FIG. 1

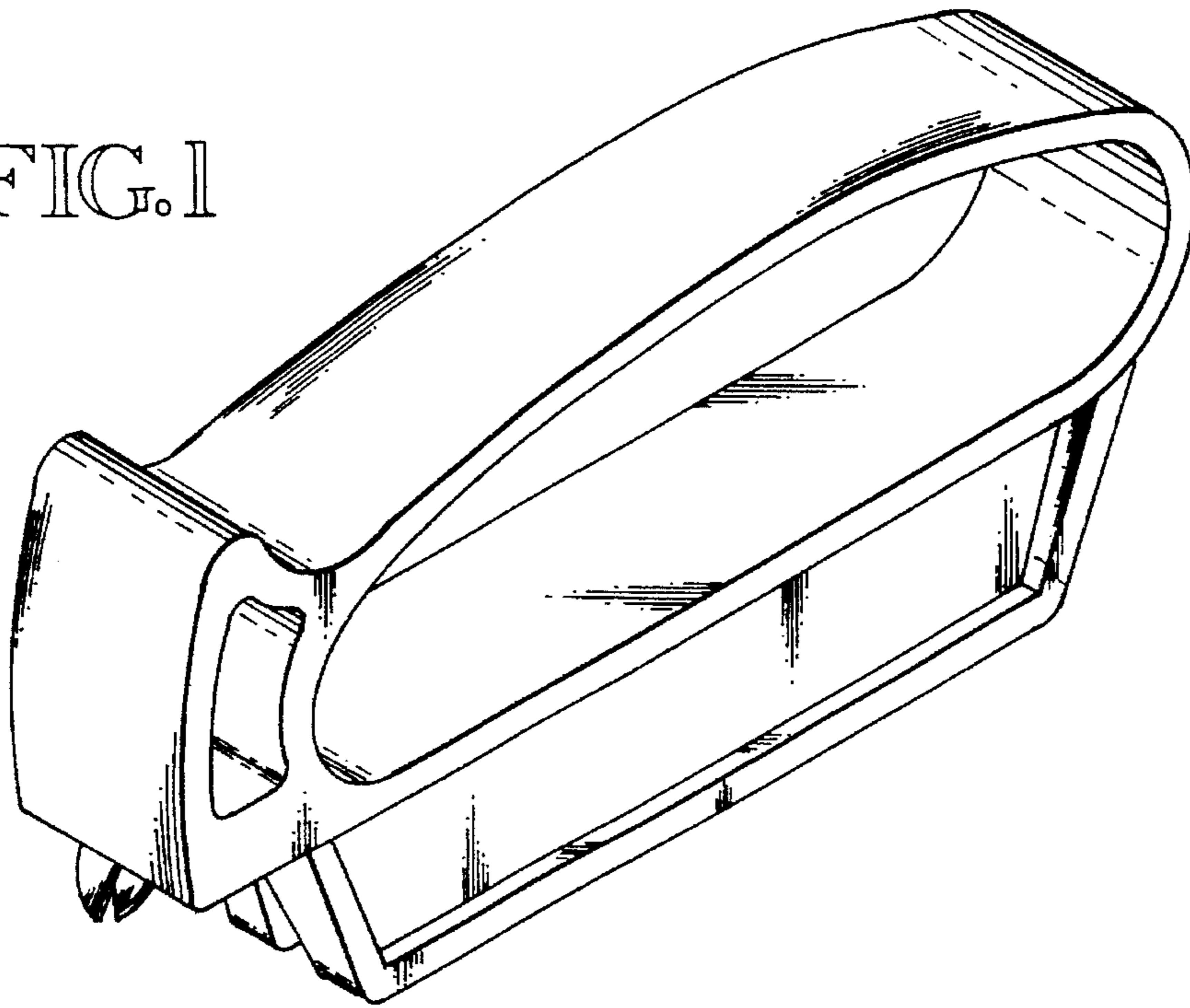


FIG. 2

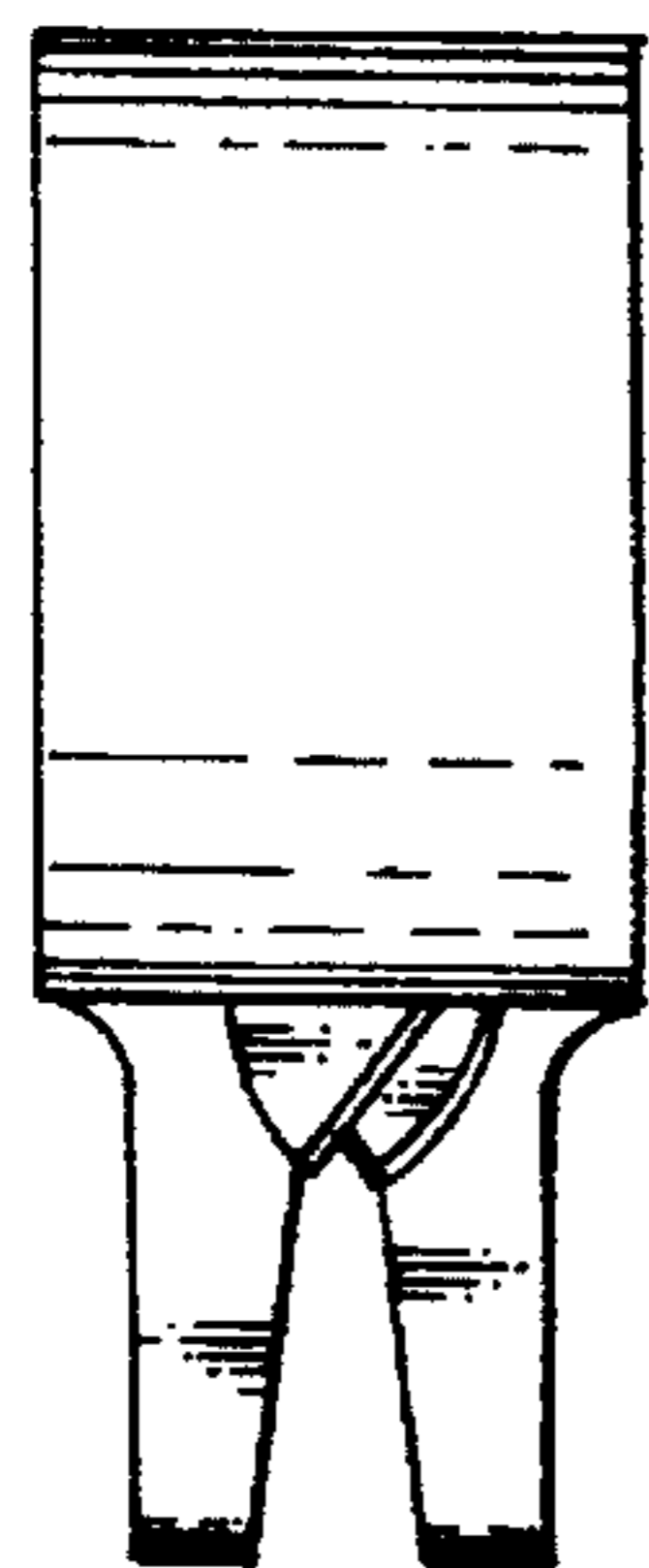
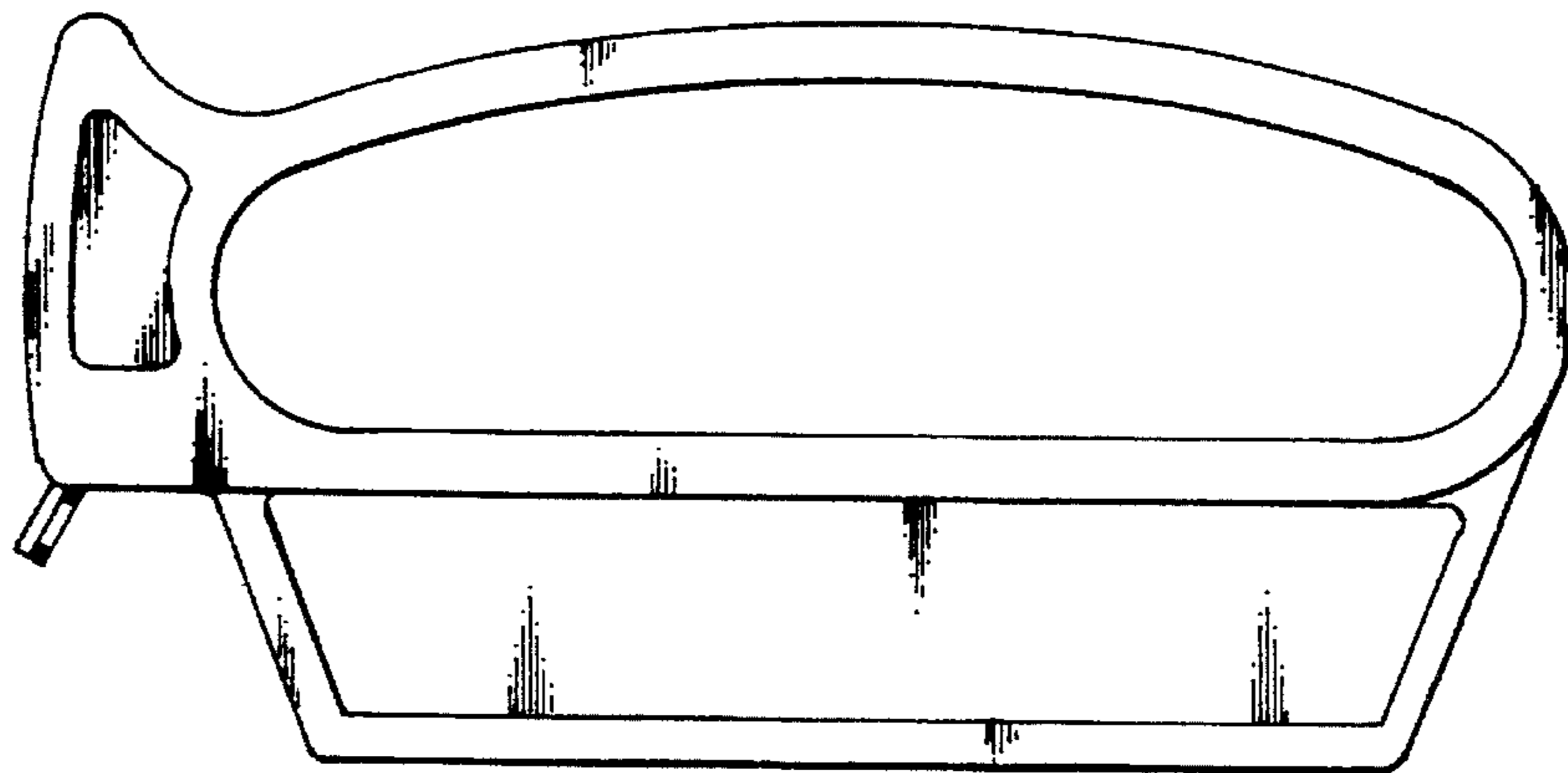


FIG. 3

FIG. 4

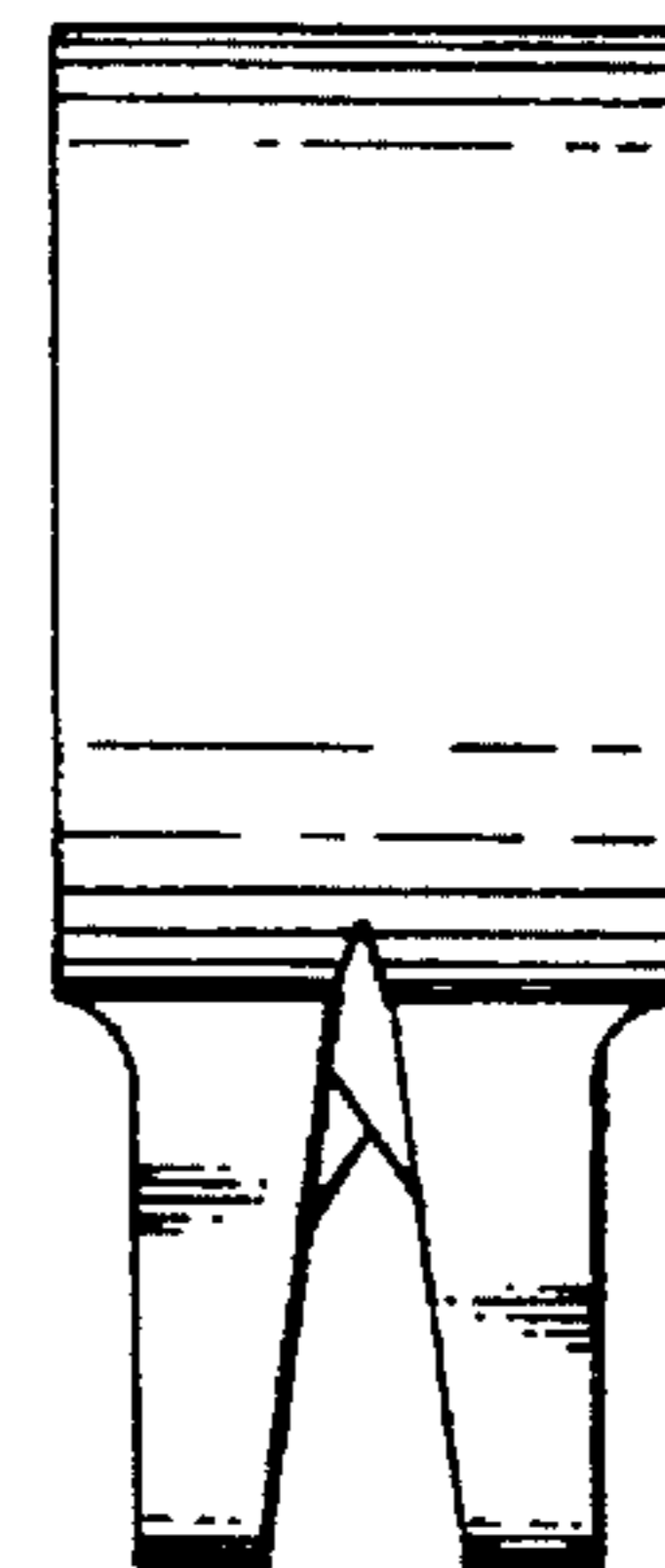


FIG. 5

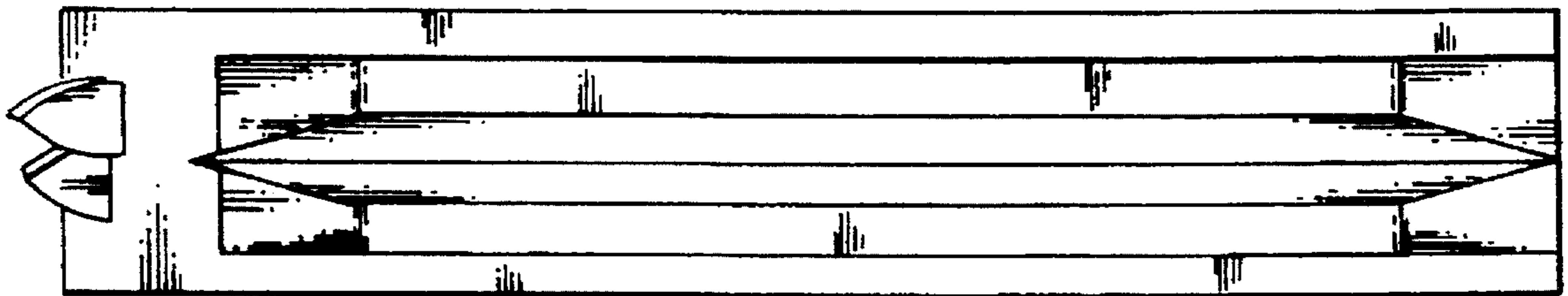
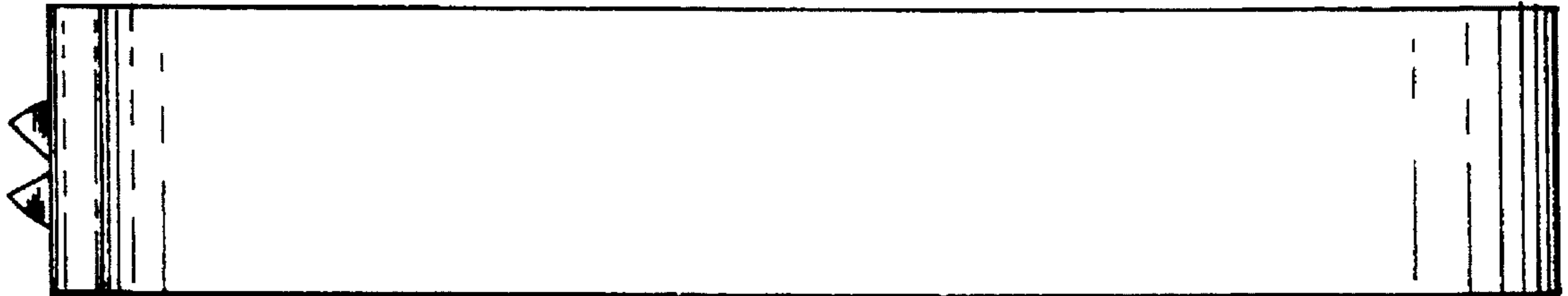


FIG. 6