



US00D369077S

United States Patent [19]

Batista

[11] Patent Number: **Des. 369,077**

[45] Date of Patent: ****Apr. 23, 1996**

[54] **ADJUSTABLE OIL FILTER WRENCH**

[76] Inventor: **Jose H. Batista**, 89 Greenwich St., Providence, R.I. 02907

[**] Term: **14 Years**

[21] Appl. No.: **35,323**

[22] Filed: **Feb. 24, 1995**

[52] U.S. Cl. **D8/22; D8/21**

[58] Field of Search **D8/21, 22, 396; 81/3.4, 3.42, 3.43, 64, 65.2, 68-70, 176.1, 176.1 S, 176.2**

[56] **References Cited**

U.S. PATENT DOCUMENTS

D. 308,806	6/1990	Chieffo	D8/21
2,547,748	4/1951	Freer	81/3.43
5,003,848	4/1991	Ceccucci	81/176.2

Primary Examiner—Ted Shooman
Assistant Examiner—Richelle Shelton
Attorney, Agent, or Firm—Harold H. Dutton, Jr.

[57] **CLAIM**

The ornamental design for an adjustable oil filter wrench, as shown.

DESCRIPTION

FIG. 1 is a front perspective view of an adjustable oil filter wrench showing my new design, with the arm shown in an alternate position;

FIG. 2 is a reduced rear elevation view thereof, with the arm shown in the upright position;

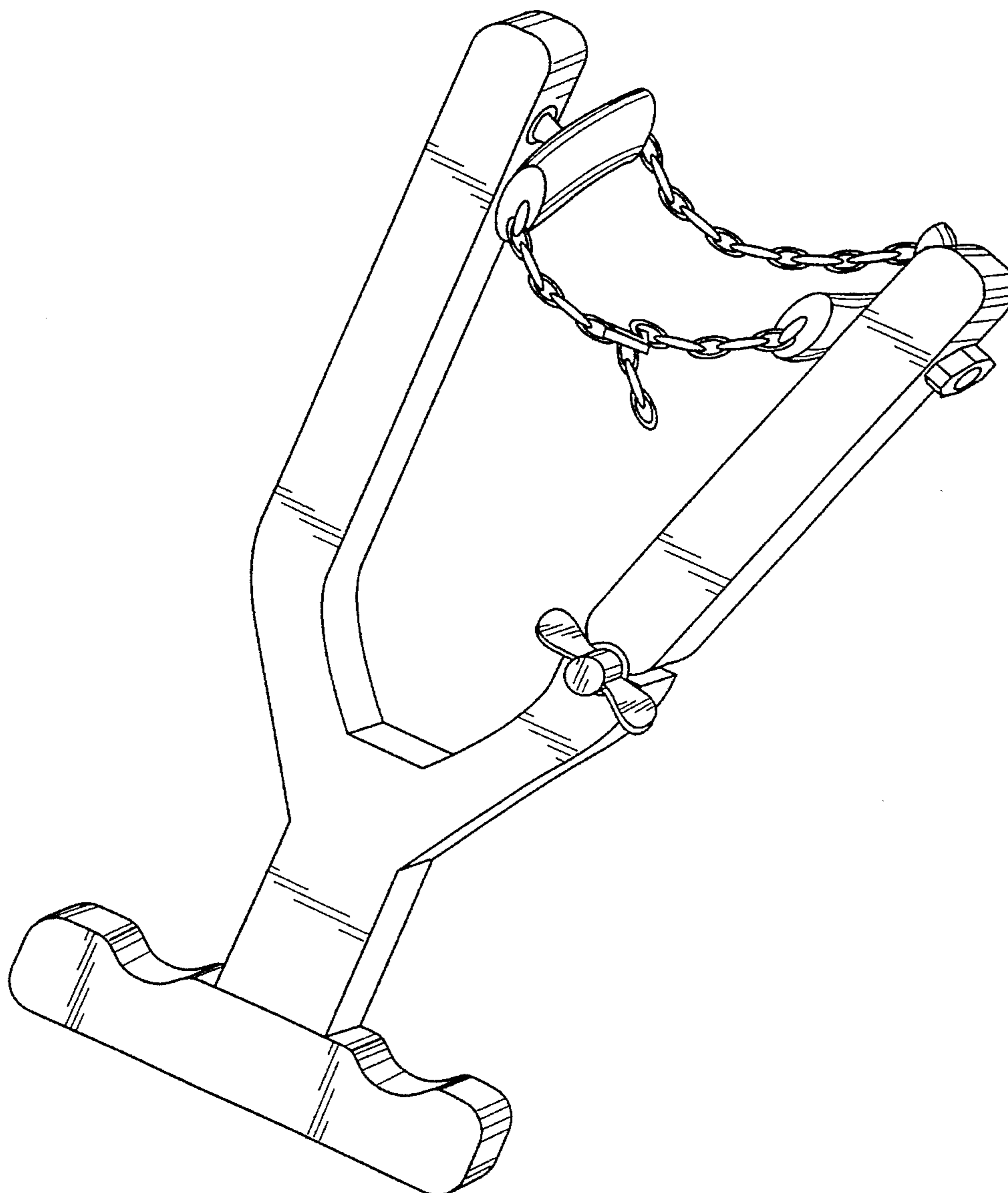
FIG. 3 is a reduced right side elevation view thereof;

FIG. 4 is a reduced left side elevation view thereof;

FIG. 5 is a reduced top plan view thereof; and,

FIG. 6 is a reduced bottom plan view thereof.

1 Claim, 4 Drawing Sheets



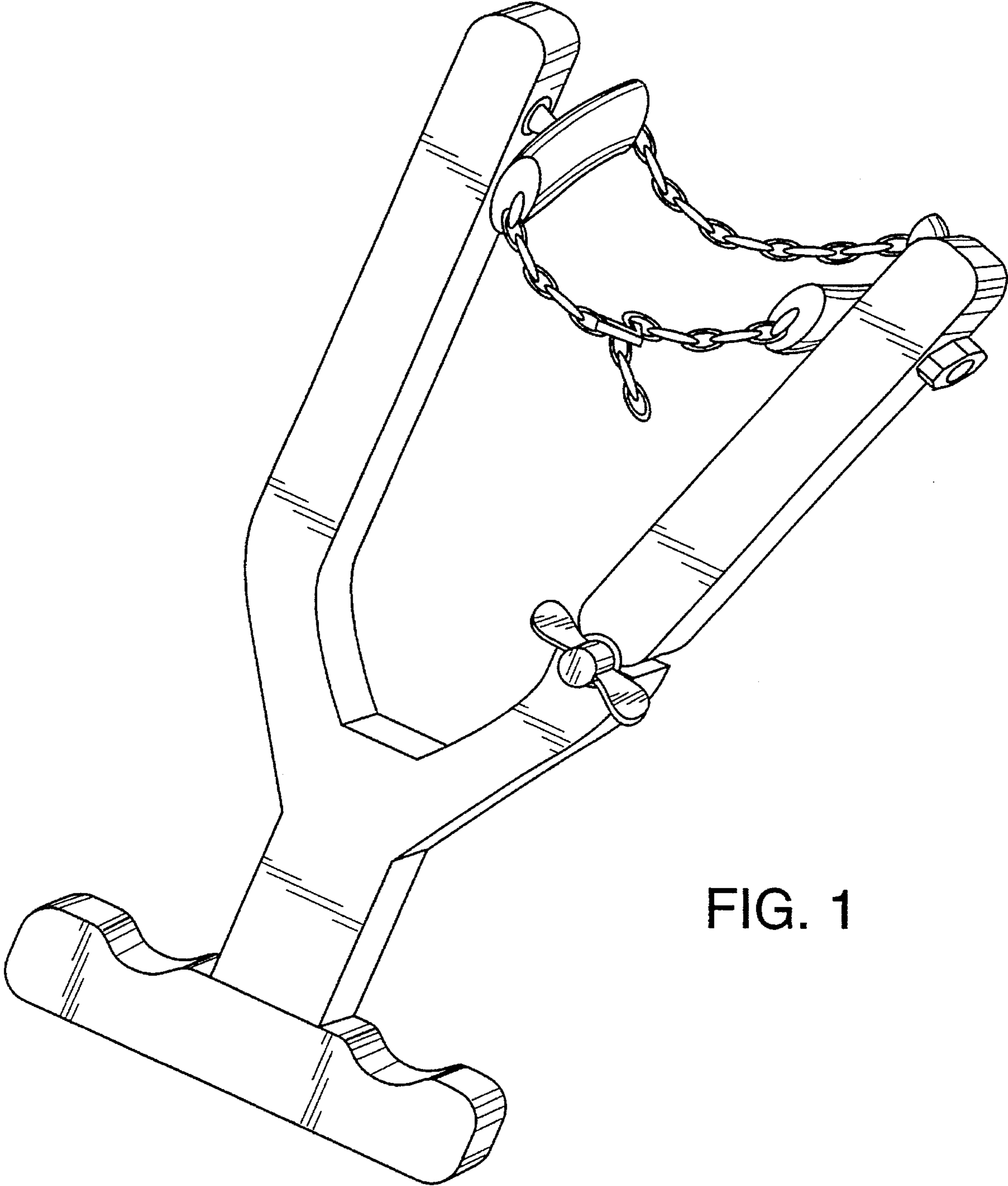


FIG. 1

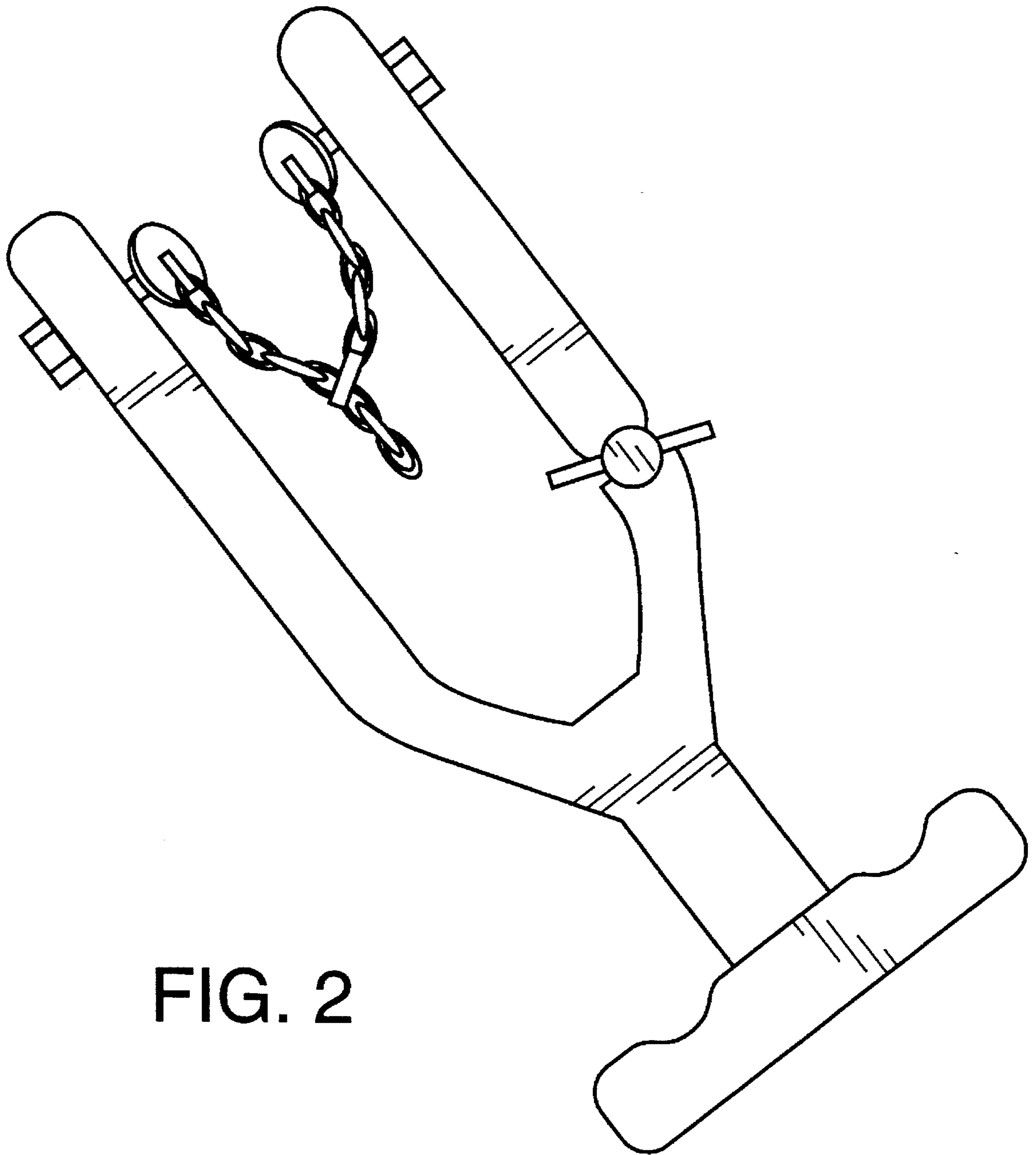


FIG. 2

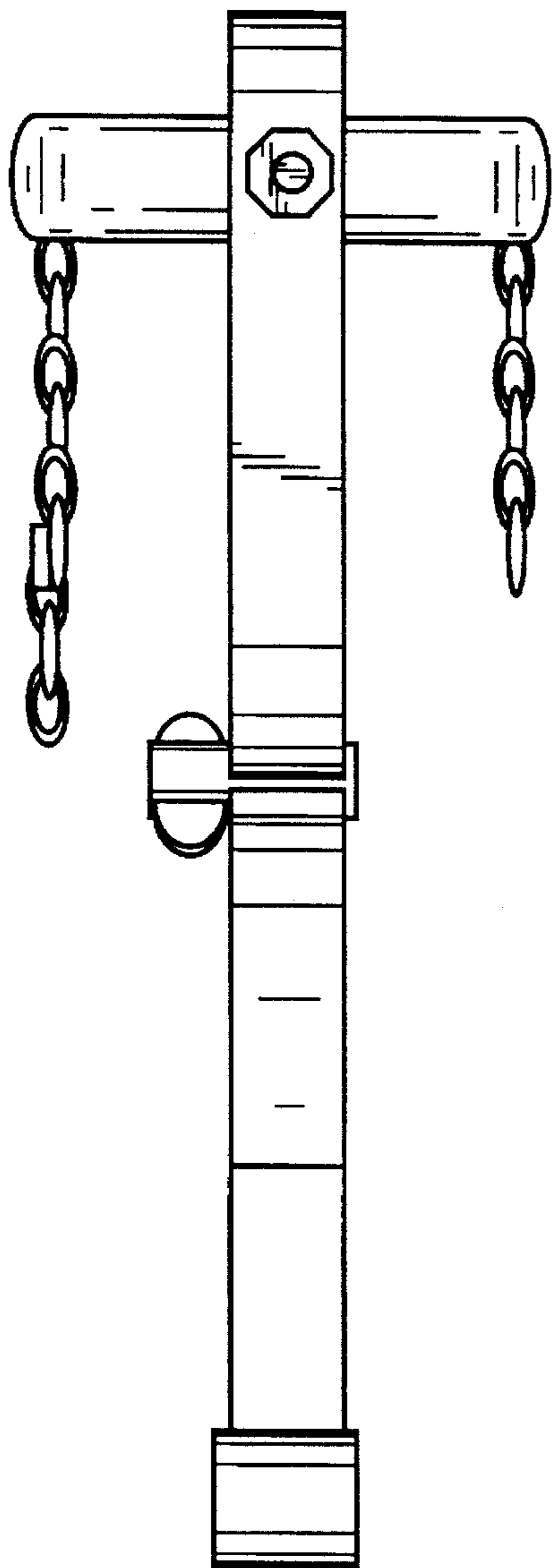


FIG. 3

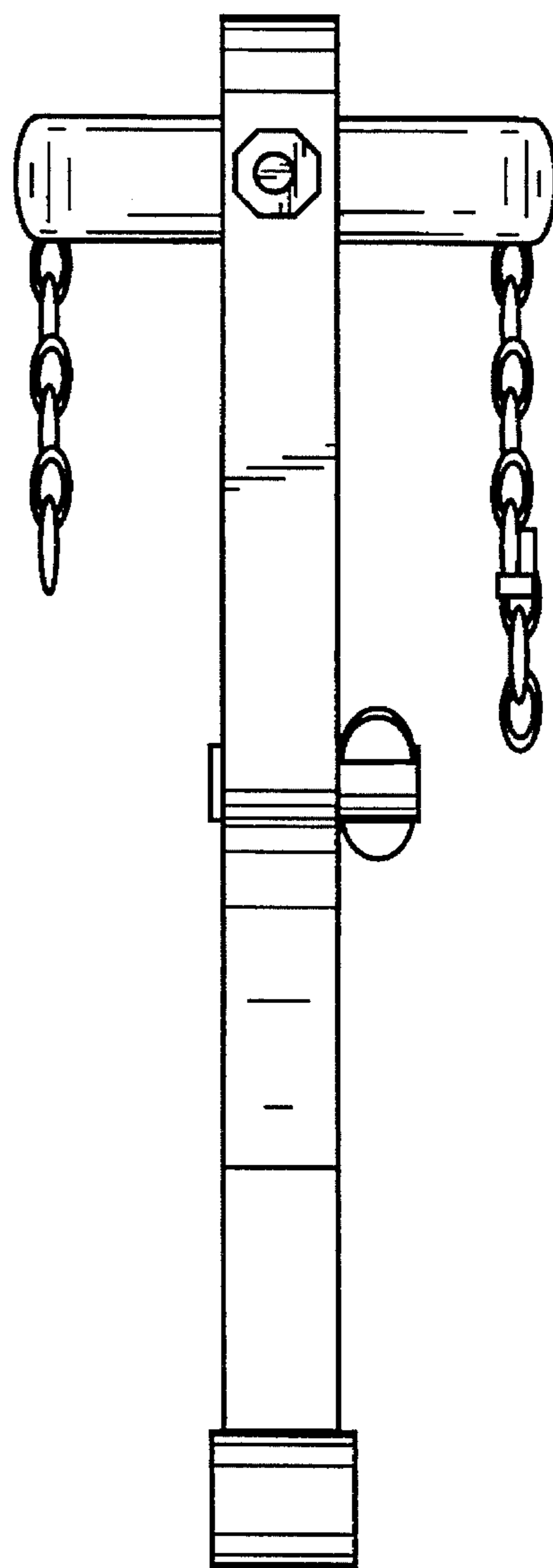


FIG. 4

FIG. 5

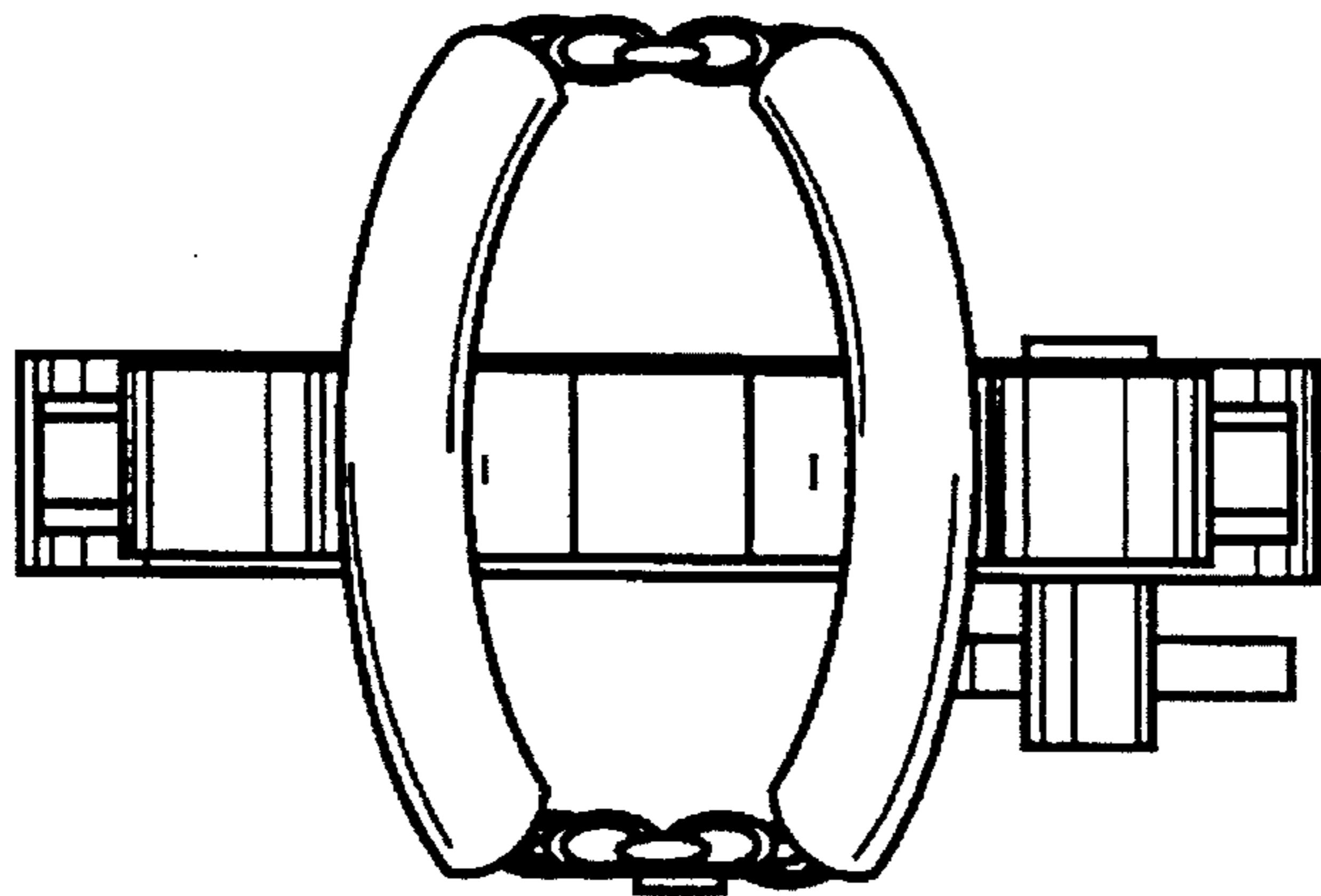


FIG. 6

