



US00D369074S

**United States Patent** [19]

[11] **Patent Number: Des. 369,074**

**Durand**

[45] **Date of Patent: \*\*Apr. 23, 1996**

[54] **LEVER ARM FOR REMOVING ELECTRICAL PLUGS**

**FOREIGN PATENT DOCUMENTS**

1375966 12/1974 United Kingdom ..... 81/461

[76] Inventor: **Gerald P. Durand**, 46 Nimitz Rd., East Providence, R.I. 02916

*Primary Examiner*—Ted Shooman  
*Assistant Examiner*—Richelle Shelton  
*Attorney, Agent, or Firm*—Robert J. Doherty

[\*\*] Term: **14 Years**

[57] **CLAIM**

[21] Appl. No.: **33,299**

The ornamental design for a lever arm for removing electrical plugs, as shown and described.

[22] Filed: **Jan. 9, 1995**

[52] U.S. Cl. .... **D8/14; D8/21**

**DESCRIPTION**

[58] **Field of Search** ..... D8/14, 17, 21;  
81/119, 176.1, 176.15, 176.2, 488, 461;  
439/160; 29/764, 267

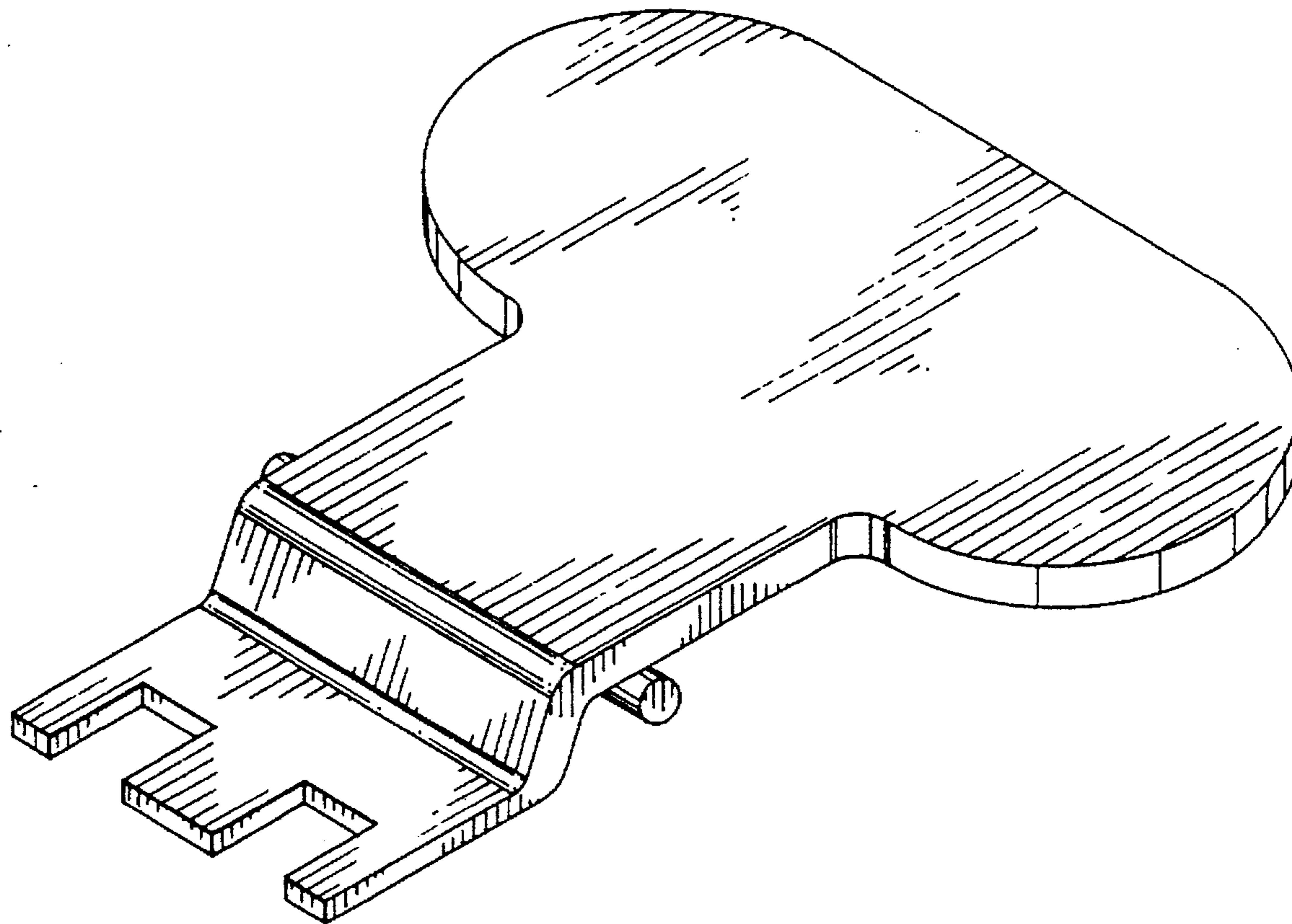
FIG. 1 is a top front perspective view of a lever arm for removing electrical plugs showing my new design; FIG. 2 is a top view thereof; FIG. 3 is a bottom view thereof; FIG. 4 is a rear elevational view thereof; FIG. 5 is a front elevational view thereof; and, FIG. 6 is a right side elevational view of FIG. 2 the left side elevational view being the mirror image thereof.

[56] **References Cited**

**U.S. PATENT DOCUMENTS**

D. 270,424	9/1983	Weinerman	.....	D8/21
2,476,735	7/1949	Johnson	.....	439/160
2,977,564	3/1961	Civitelli et al.	.....	439/160
4,042,292	8/1977	Chensky	.....	439/160

**1 Claim, 2 Drawing Sheets**



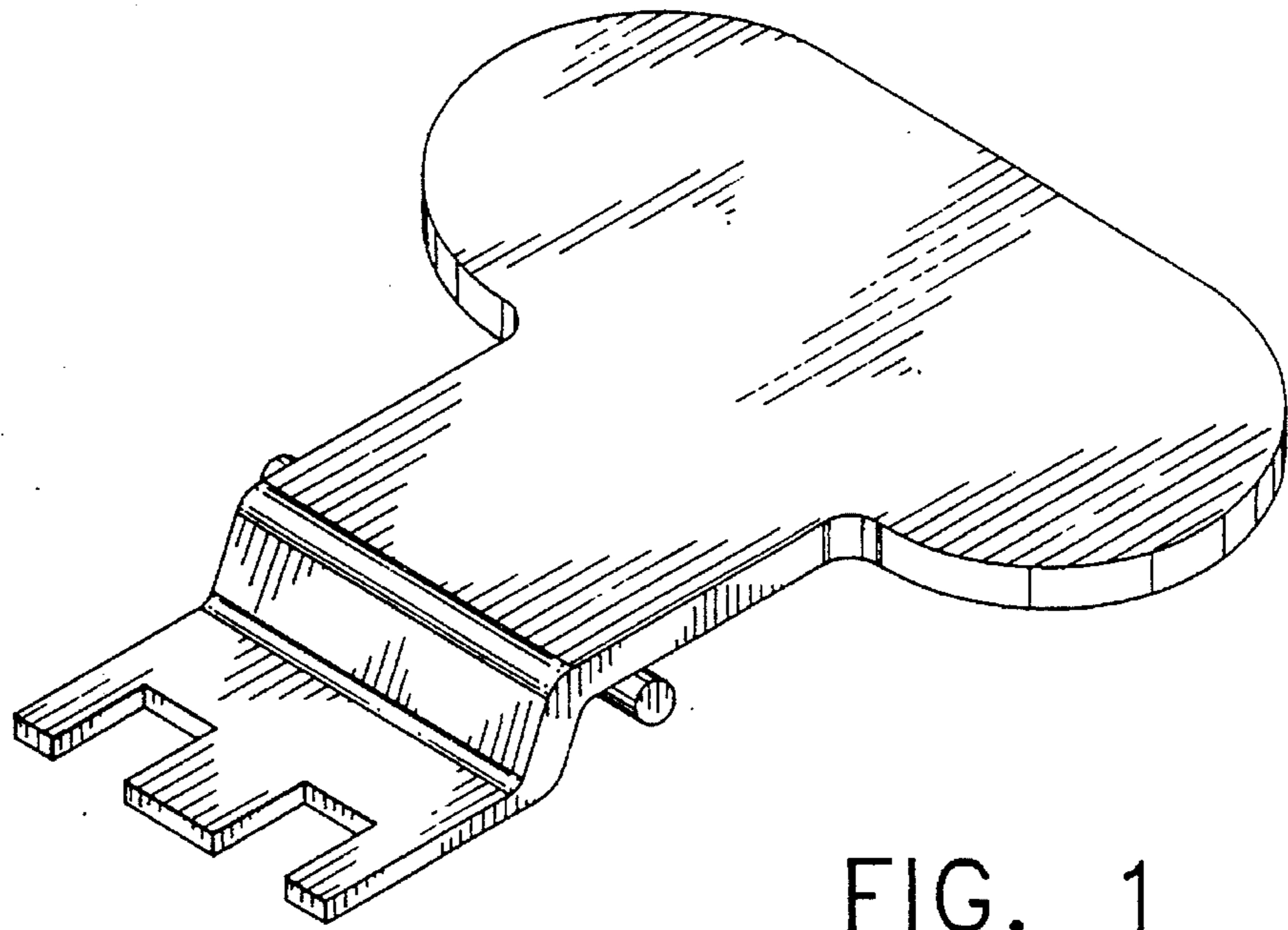


FIG. 1

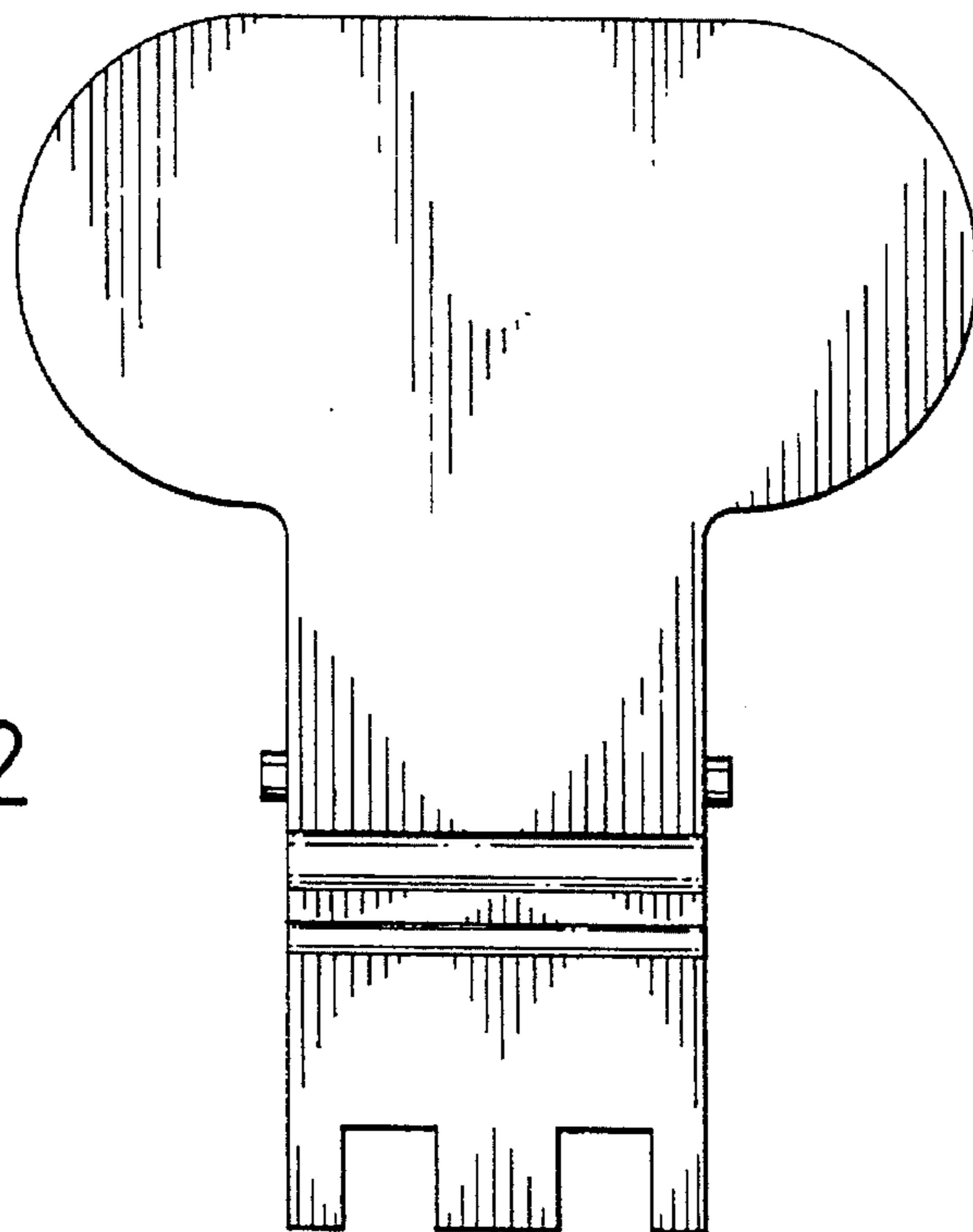


FIG. 2

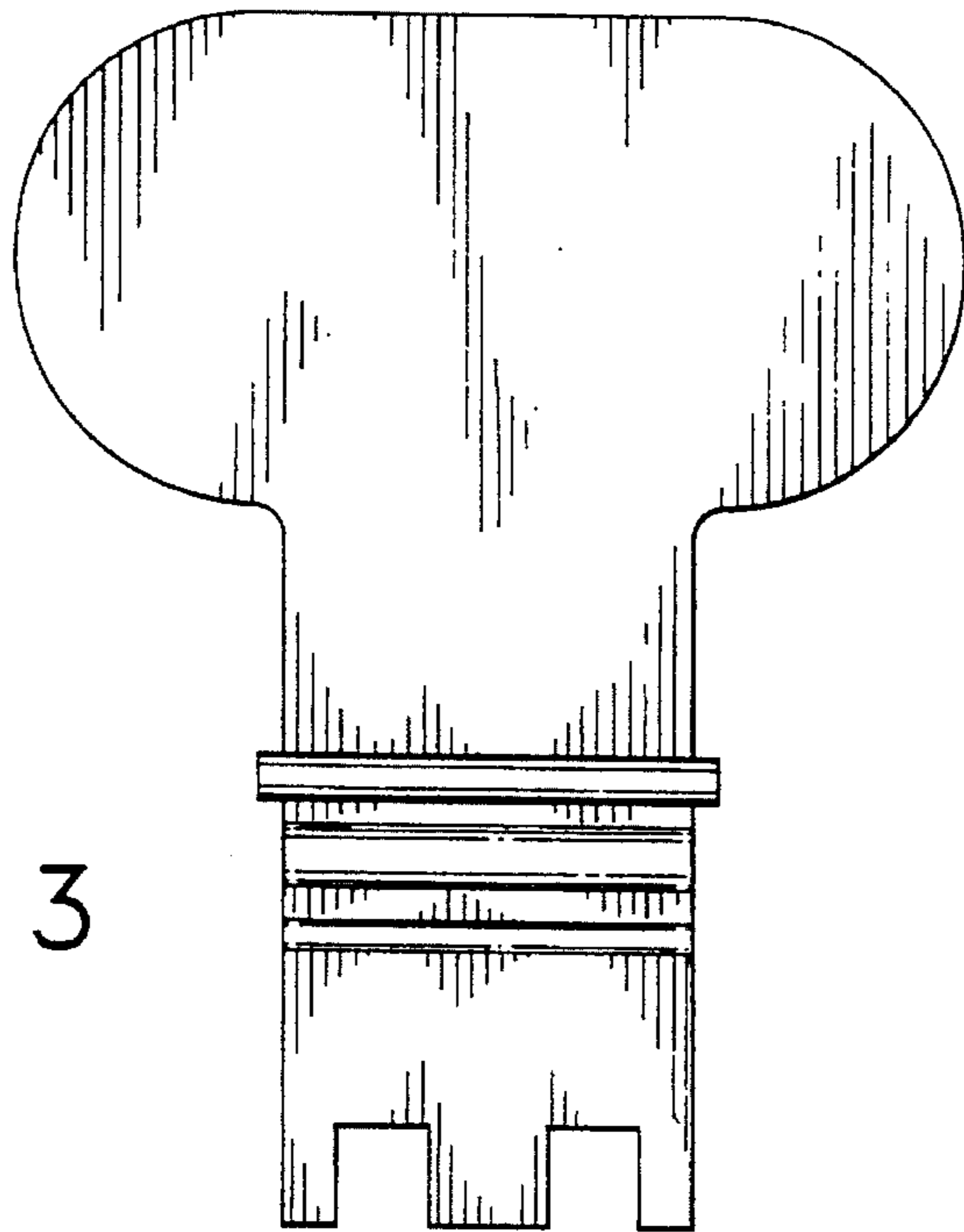


FIG. 3

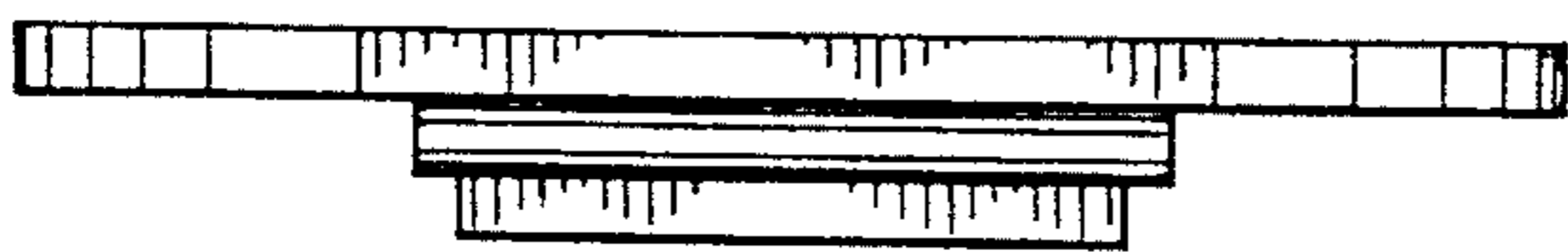


FIG. 4

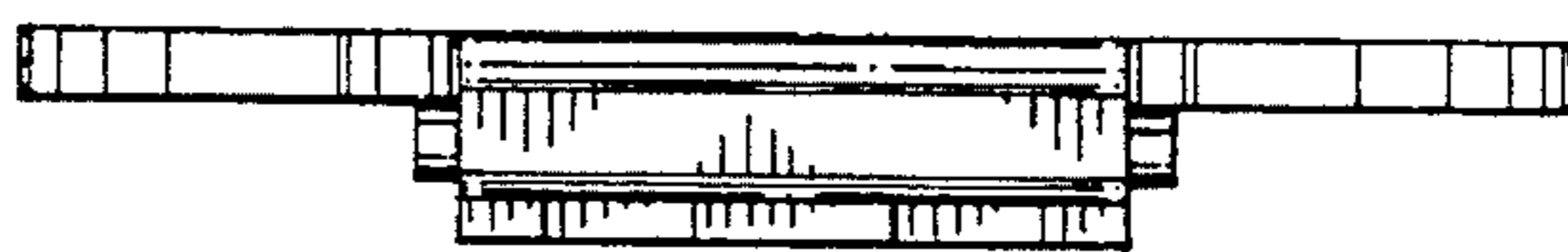


FIG. 5

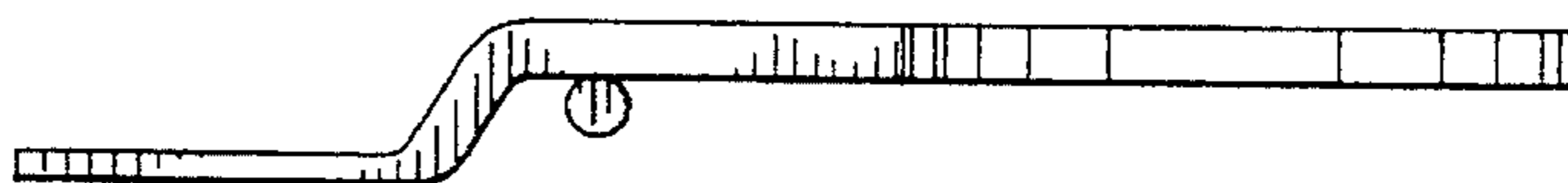


FIG. 6