



US00D369071S

United States Patent [19]

[11] Patent Number: **Des. 369,071**

Tuggle et al.

[45] Date of Patent: ****Apr. 23, 1996**

[54] **LOWER MOTOR HOUSING FOR A LAWN TRIMMER**

[75] Inventors: **Lloyd H. Tuggle**, Shreveport; **Ron Brant**, Haughton; **Michael S. Houge**, Shreveport, all of La.

[73] Assignee: **WCI Outdoors Products, Inc.**, Cleveland, Ohio

[**] Term: **14 Years**

[21] Appl. No.: **38,840**

[22] Filed: **May 12, 1995**

[52] U.S. Cl. **D8/8**

[58] Field of Search **D8/8; 56/12.7; 30/276**

[56] References Cited

U.S. PATENT DOCUMENTS

D. 219,005	10/1970	Gale et al.	D8/8
D. 250,450	12/1978	Tiedemann	D8/8
D. 253,086	10/1979	Hinklin et al.	D8/8
D. 256,090	7/1980	Hinklin et al.	D8/8
D. 307,860	5/1990	Ellis	D8/8
D. 351,768	10/1994	Griffin	D8/8

OTHER PUBLICATIONS

Black and Decker catalog, 1990-1991, p. 9, yard trimmer, item No. 82314 located at left of page.

Primary Examiner—A. Hugo Word

Assistant Examiner—Holly Baynham

Attorney, Agent, or Firm—Marc A. Hubbard; Winstead, Sechrest & Minick

[57] CLAIM

The ornamental design for a lower motor housing for a lawn trimmer, as shown and described.

DESCRIPTION

FIG. 1 is an environmental left side elevational view of a

first embodiment of a lower motor housing for a lawn trimmer showing the new design;

FIG. 2 is an enlarged right side elevational view of a first embodiment of the lower motor housing for a lawn trimmer;

FIG. 3 is a left side elevational view of the first embodiment of the lower motor housing for a lawn trimmer;

FIG. 4 is a top view of the first embodiment of the lower motor housing for a lawn trimmer;

FIG. 5 is a bottom view of a first embodiment of the lower motor housing for a lawn trimmer;

FIG. 6 is a front view of the first embodiment of the lower motor housing for a lawn trimmer;

FIG. 7 is a rear view of the first embodiment of the lower motor housing for a lawn trimmer;

FIG. 8 is an environmental left side elevational view of a second embodiment of a lower motor housing of a lawn trimmer showing the new design;

FIG. 9 is an enlarged right side elevational view of the second embodiment of the lower motor housing for a lawn trimmer;

FIG. 10 is a left side elevational view of the second embodiment of the lower motor housing for a lawn trimmer;

FIG. 11 is a top view of the second embodiment of the lower motor housing for a lawn trimmer;

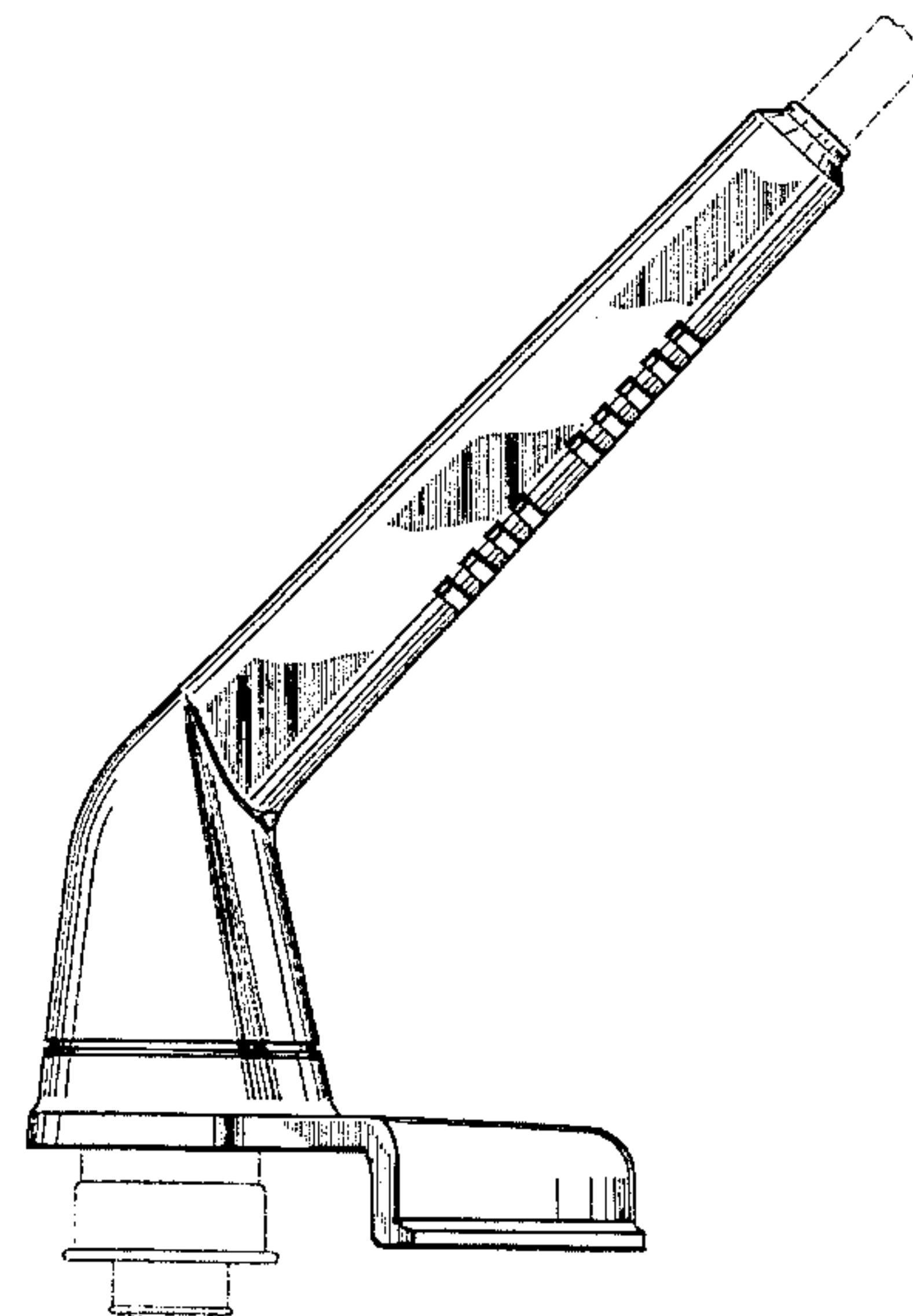
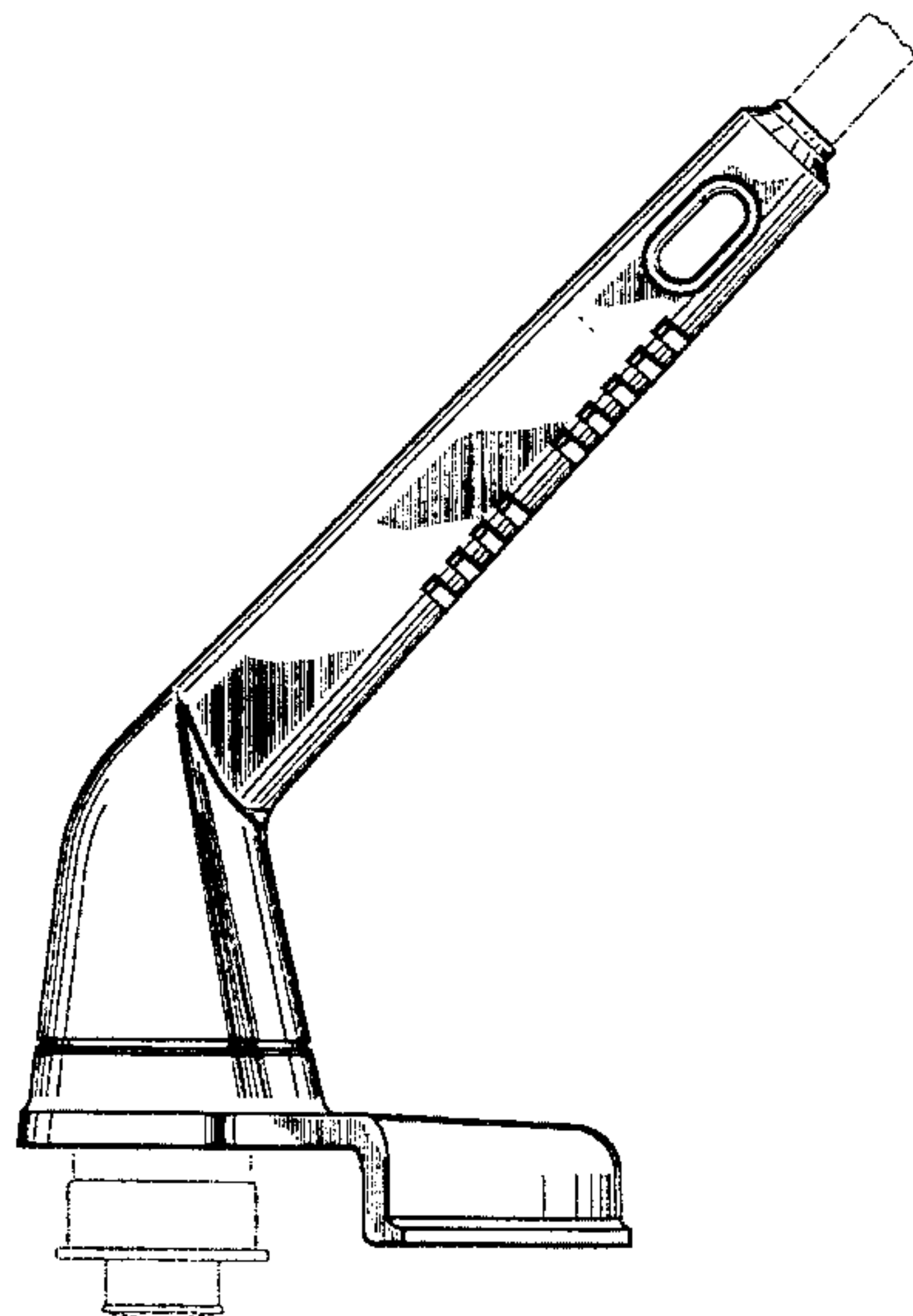
FIG. 12 is a bottom view of the second embodiment of the lower motor housing for a lawn trimmer;

FIG. 13 is a front elevational view of the second embodiment of the lower motor housing for a lawn trimmer; and,

FIG. 14 is a rear elevational view of the second embodiment of the lower motor housing for a lawn trimmer.

The tube, assist handle and rear handle shown by broken lines in FIGS. 1 and 8 are for illustrative purposes only and form no part of the claimed design. The broken tube shown by broken lines in FIGS. 2-7 and 9-14 are for illustrative purposes only and form no part of the claimed design. The line head shown by broken lines in FIGS. 1-3, 5-10 and 12-14 are for illustrative purposes only and form no part of the claimed design.

1 Claim, 12 Drawing Sheets



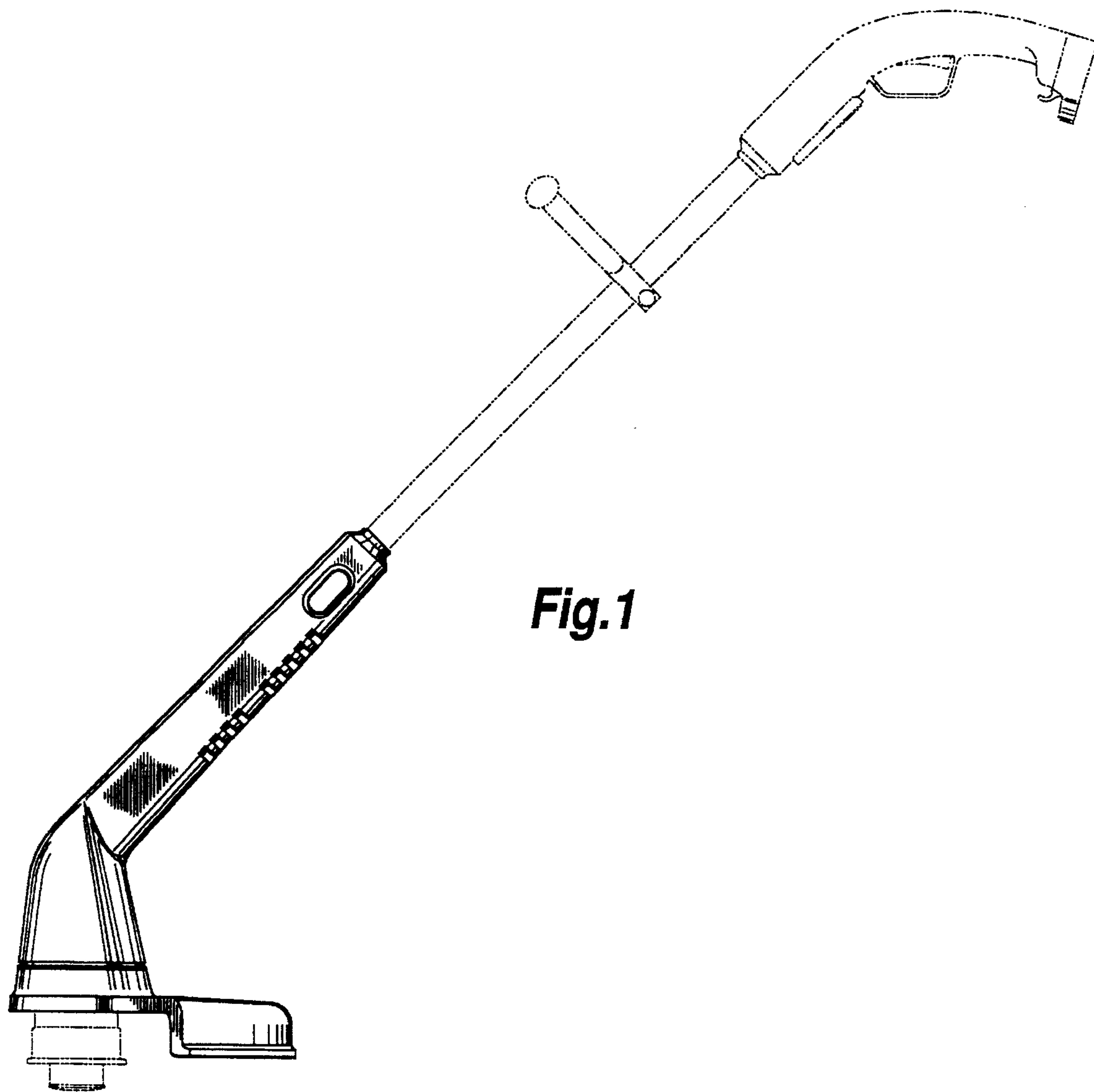


Fig. 1

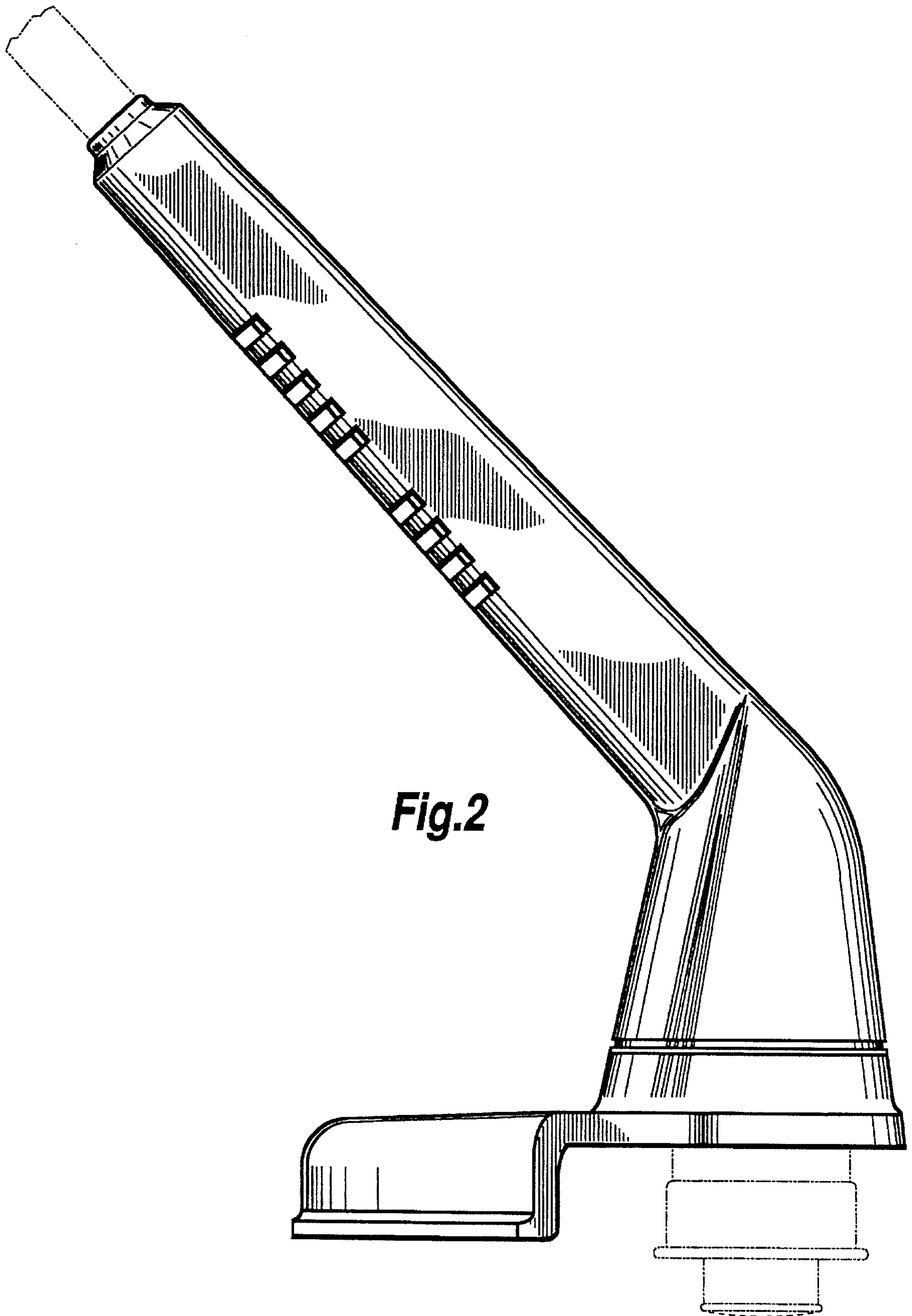


Fig.2

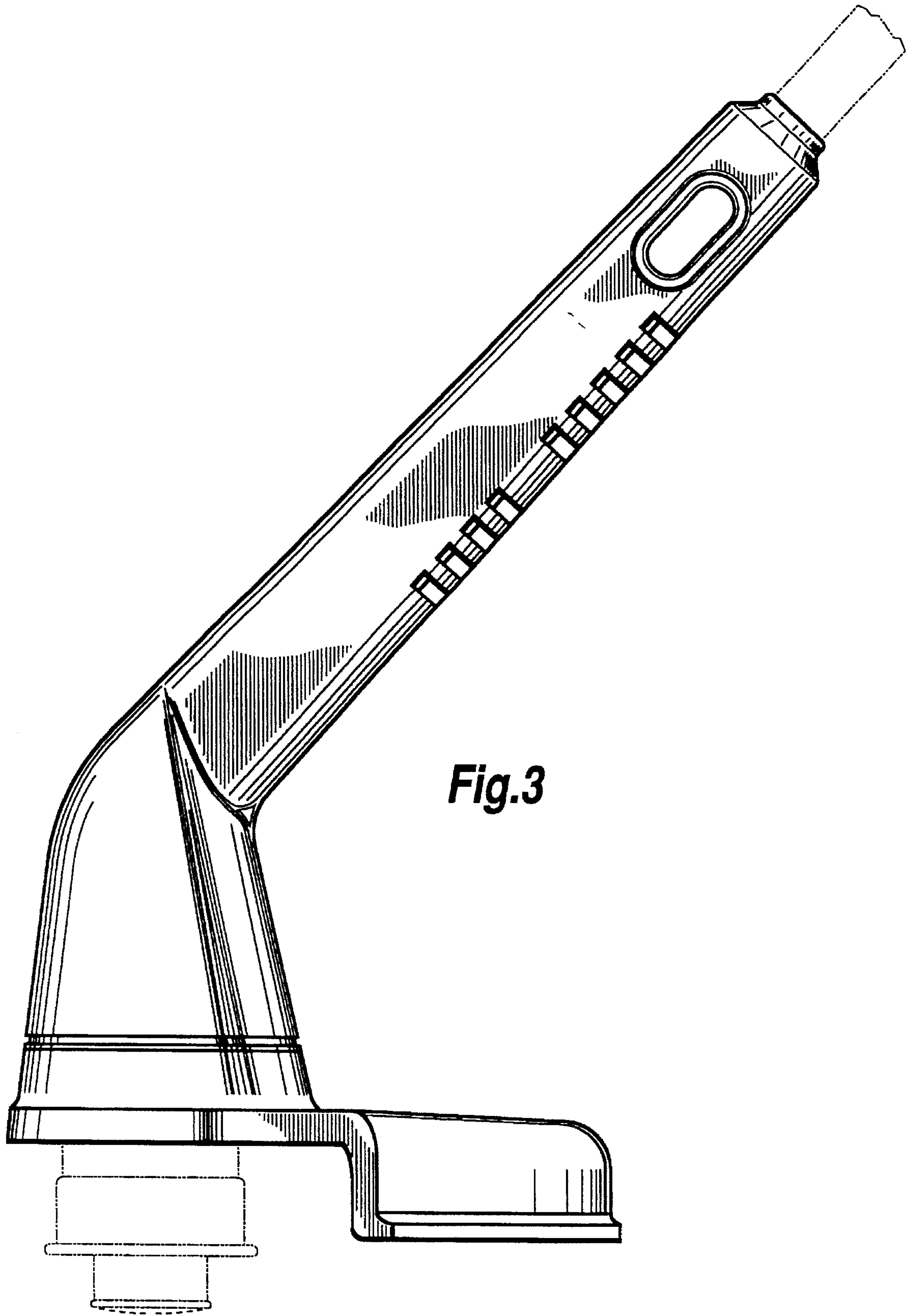


Fig.3

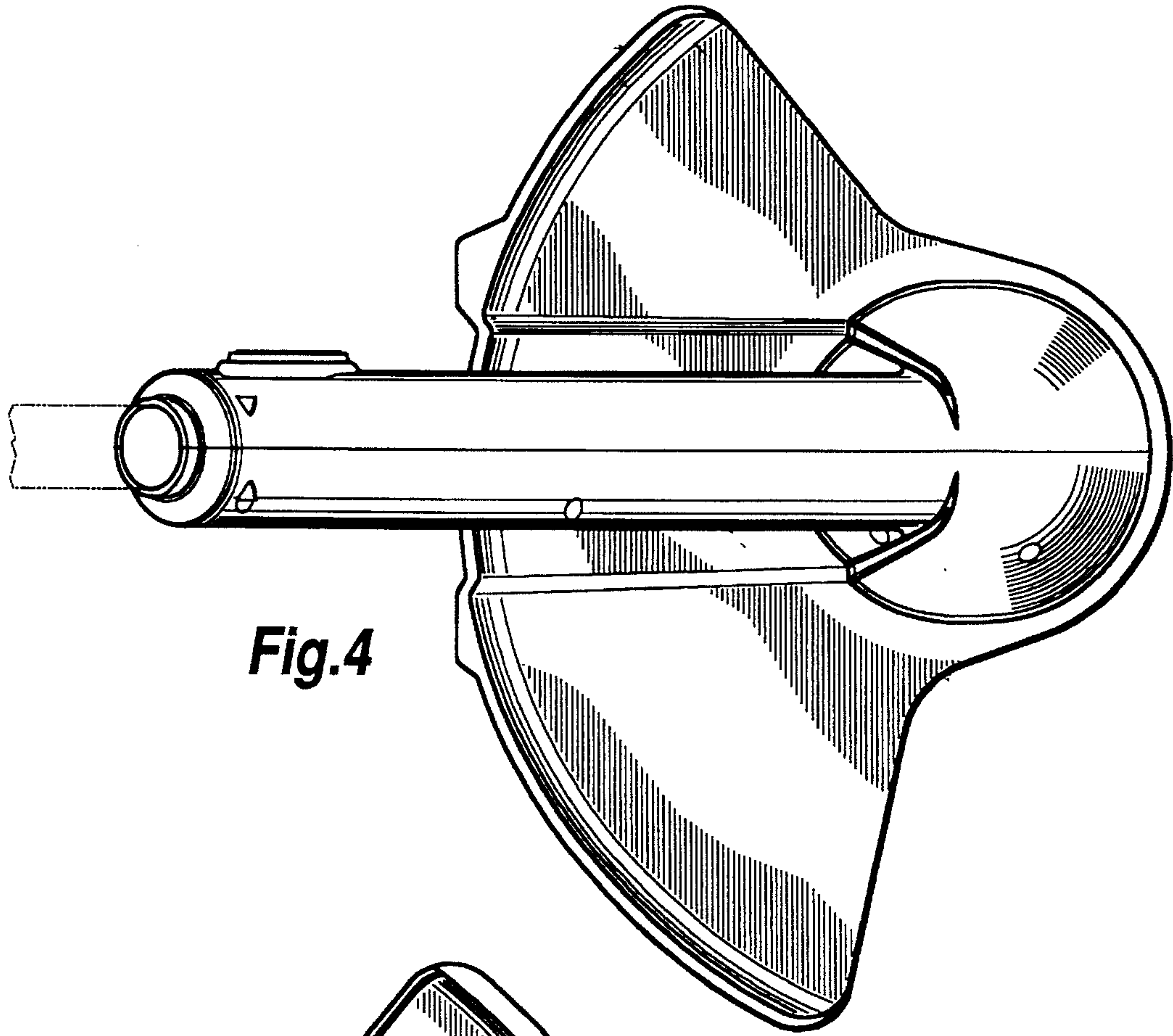


Fig.4

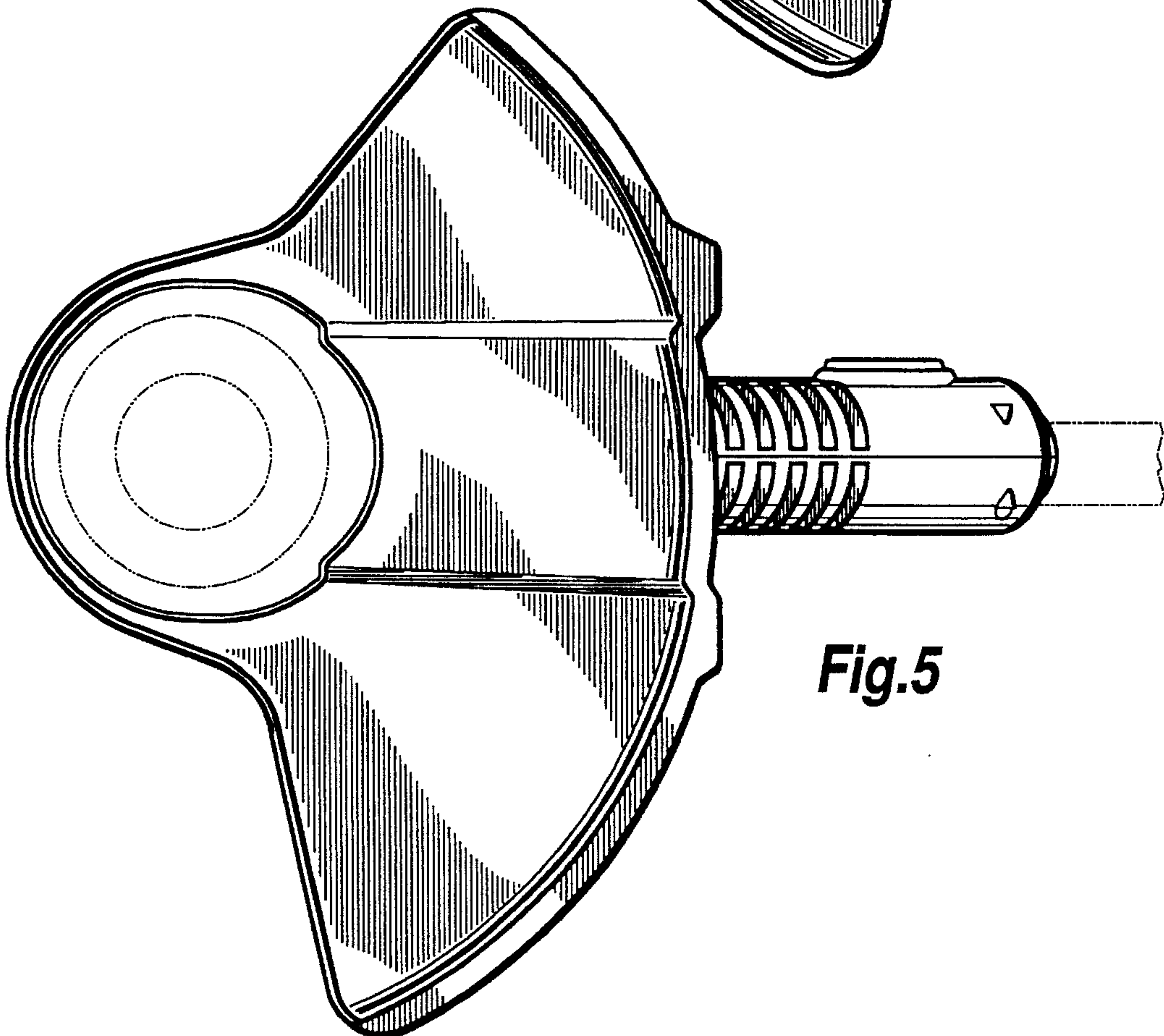


Fig.5

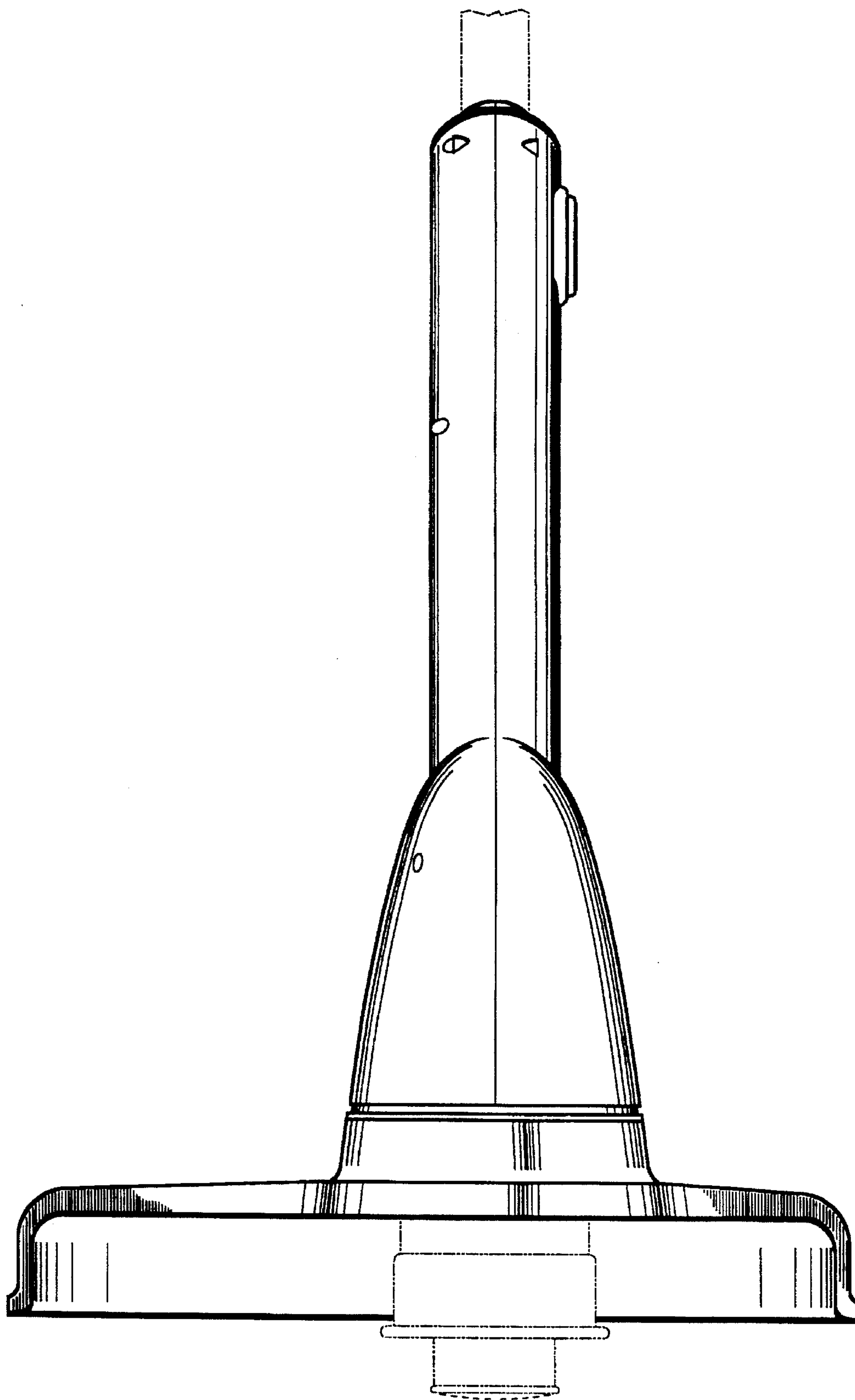


Fig.6

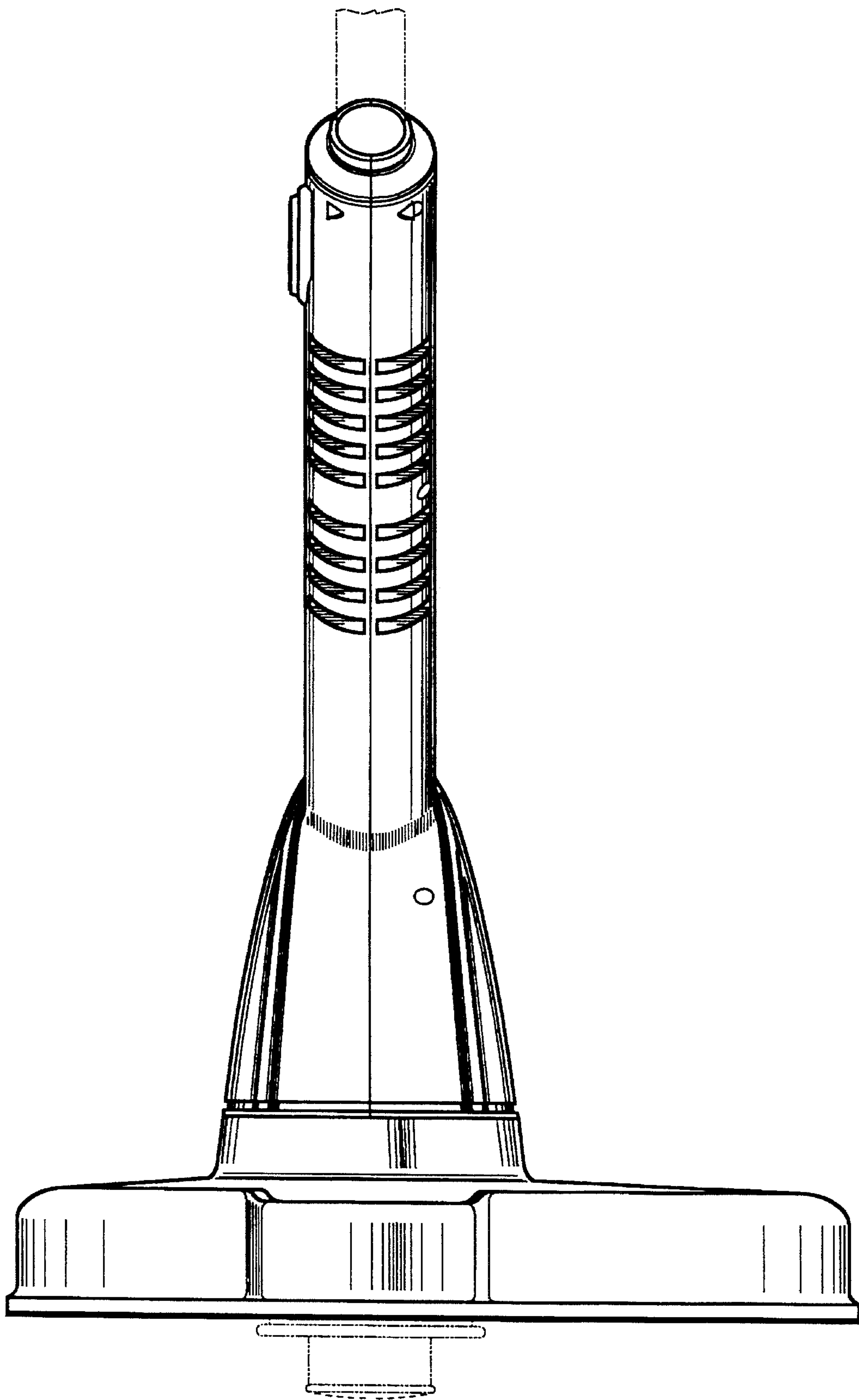


Fig.7

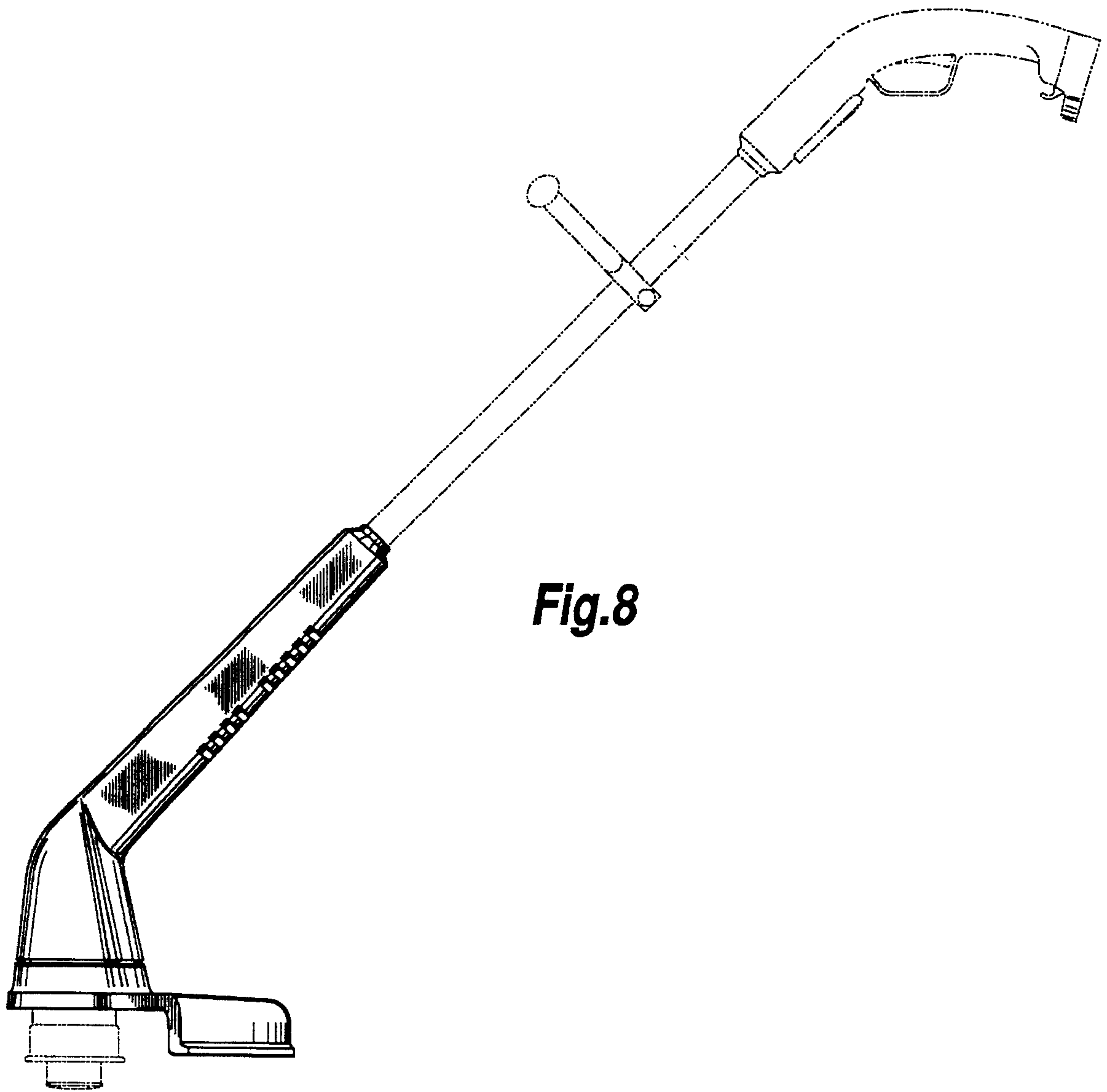


Fig.8

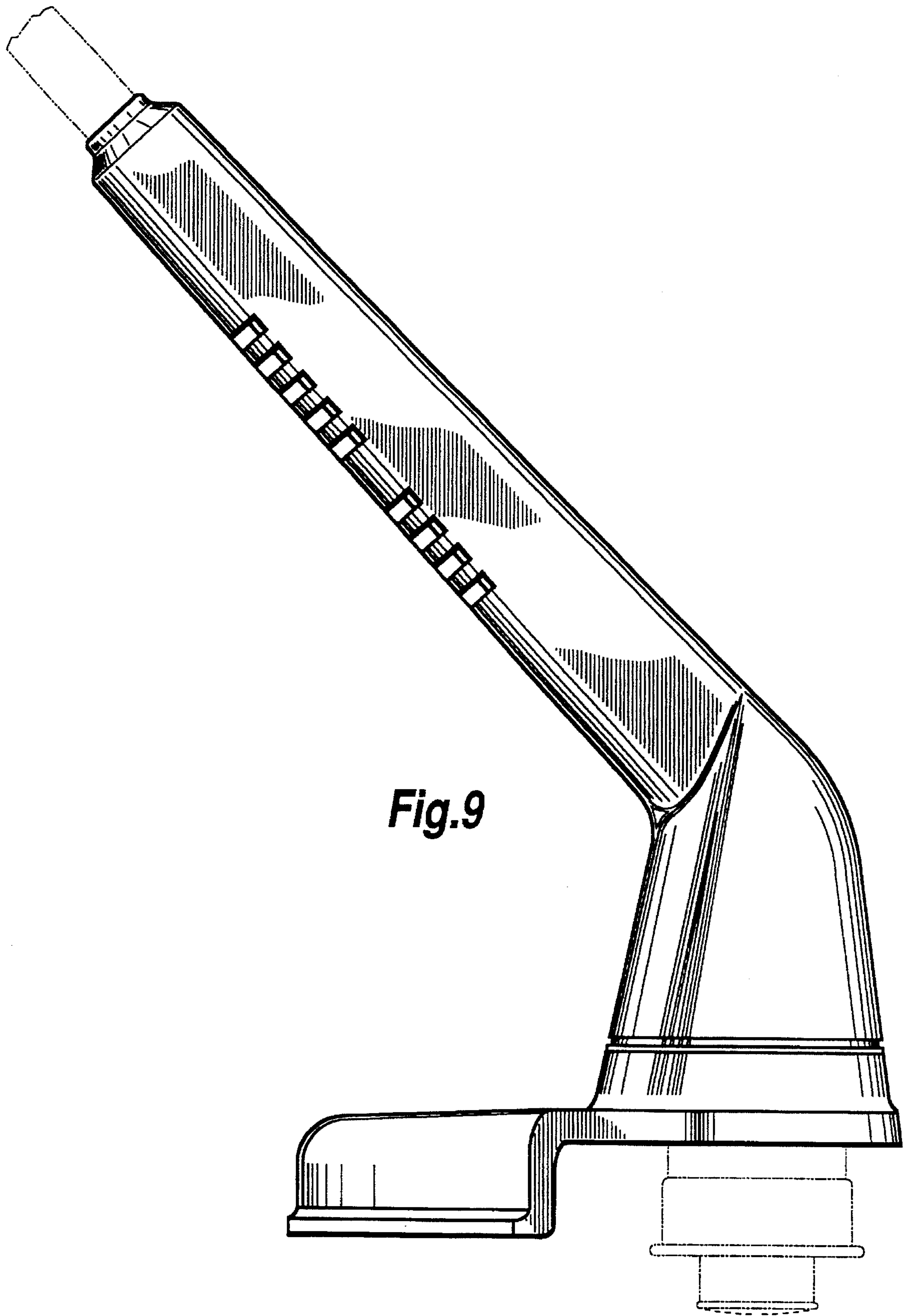


Fig.9

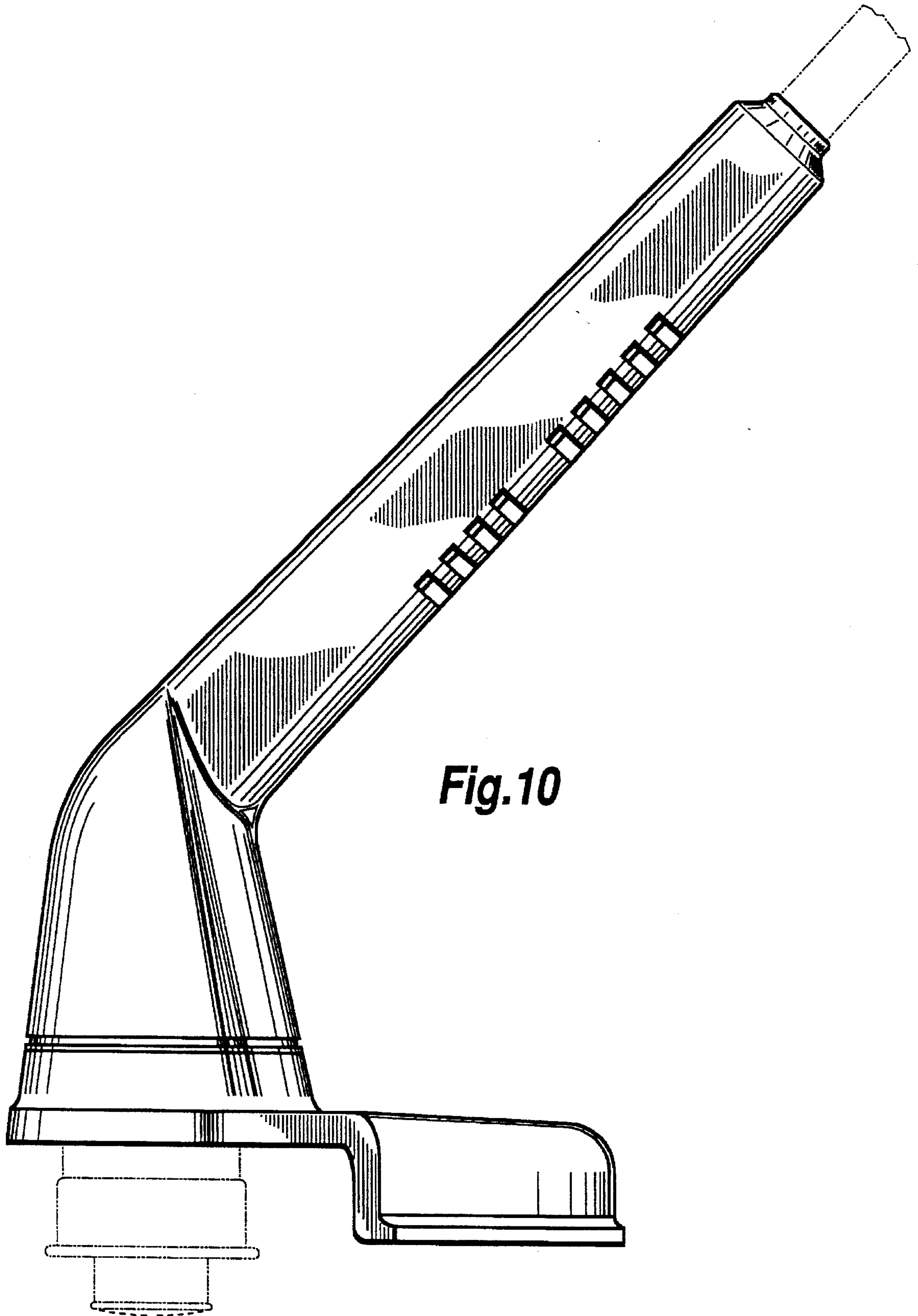


Fig.10

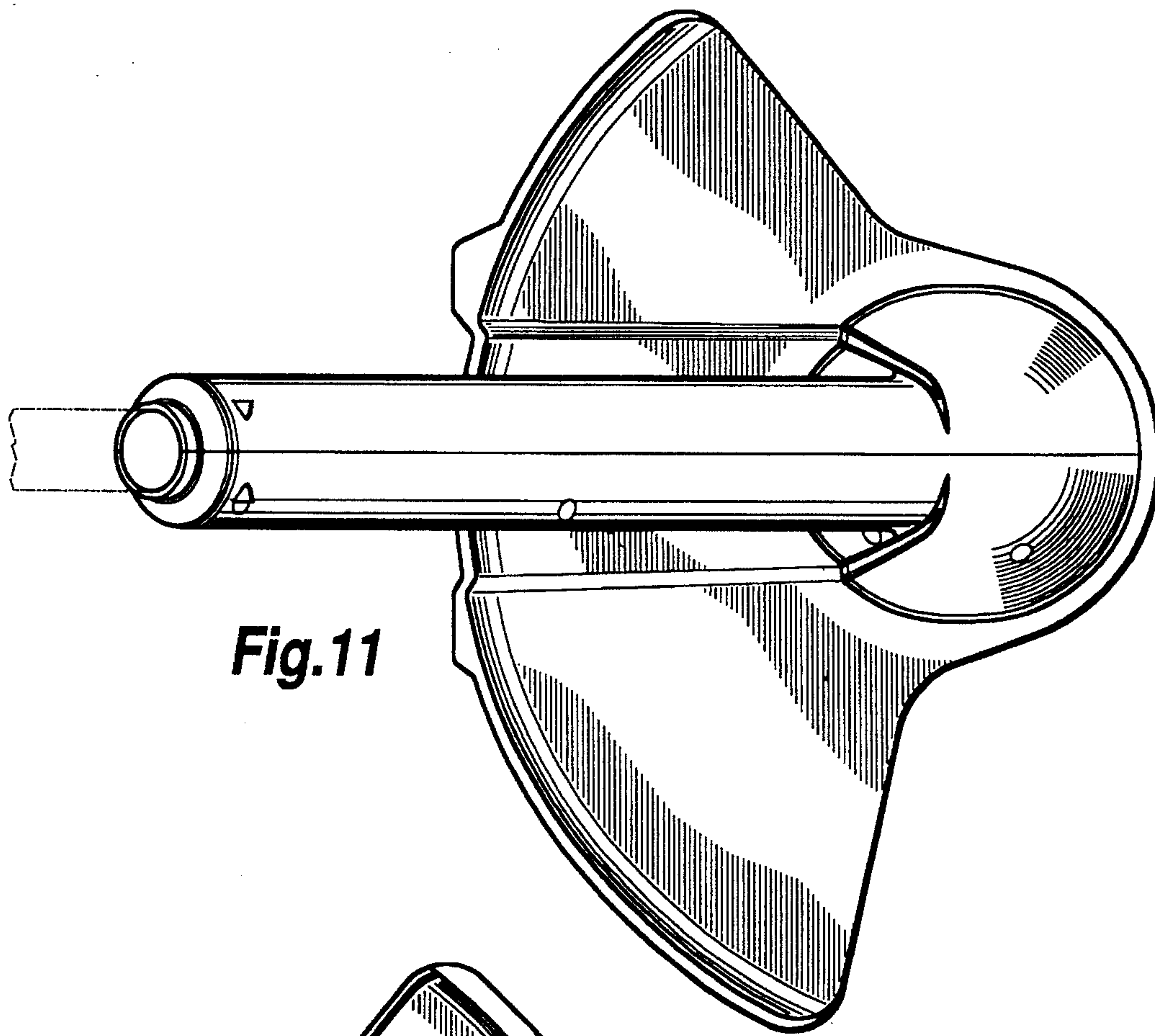


Fig.11

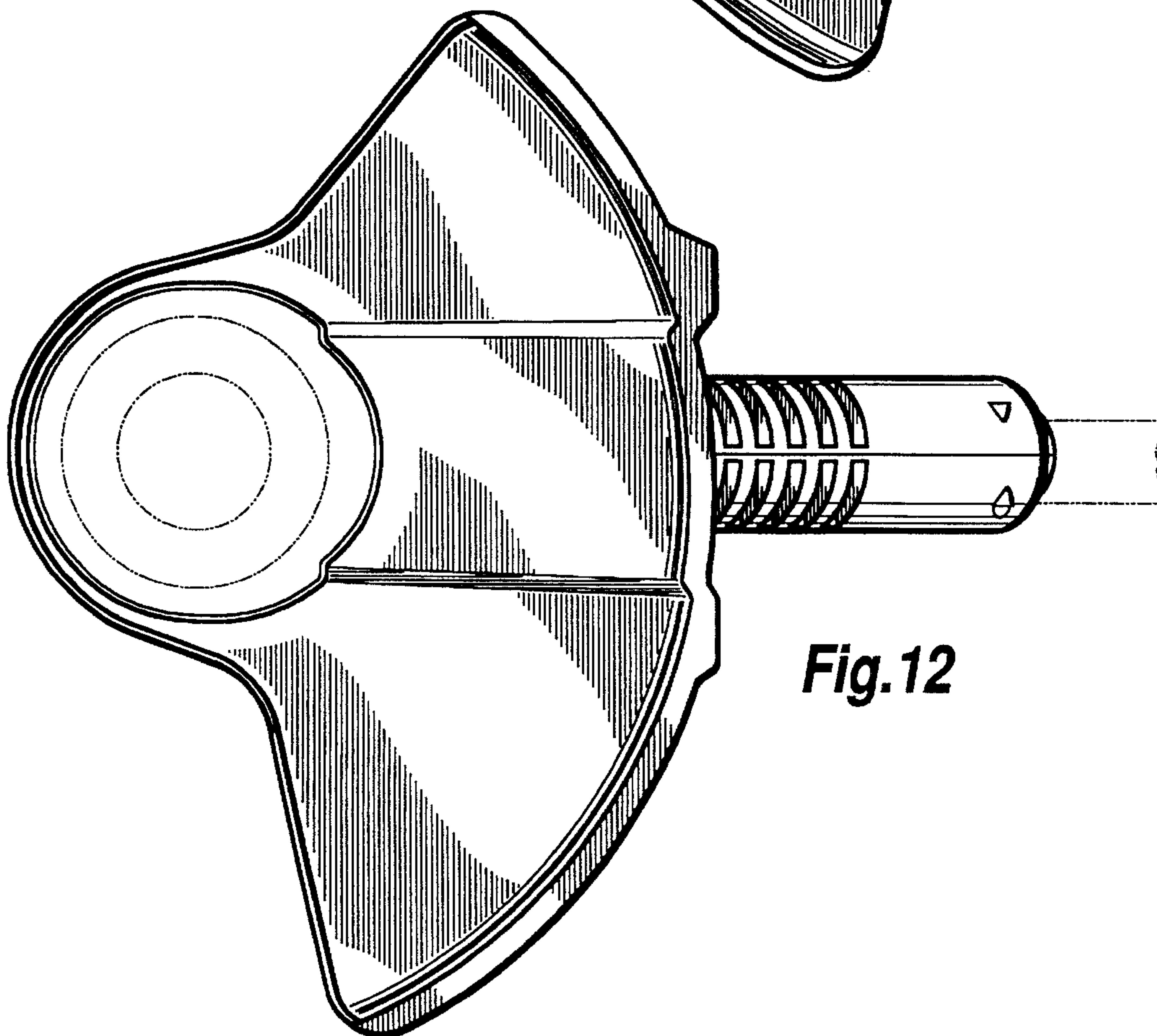


Fig.12

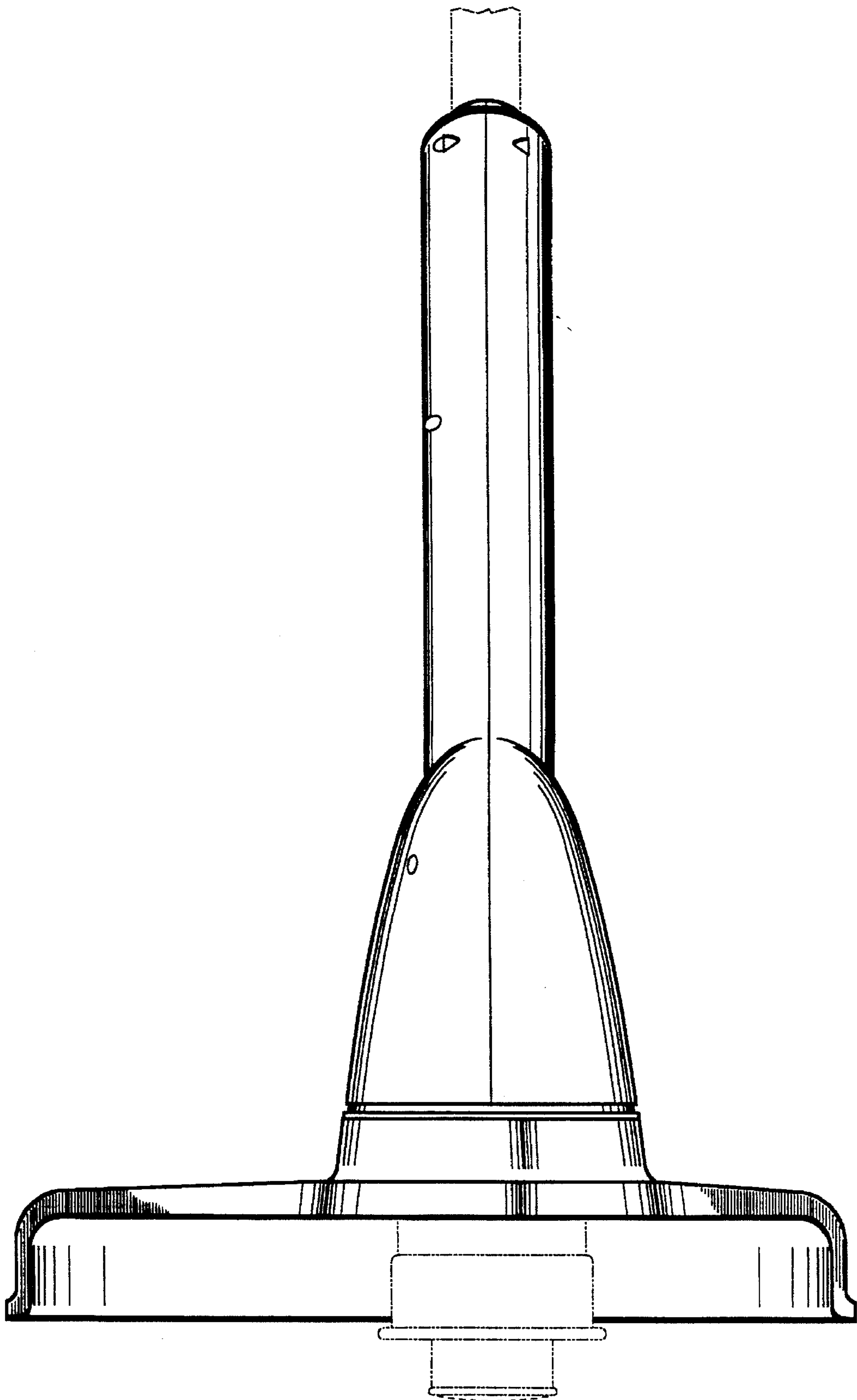


Fig. 13

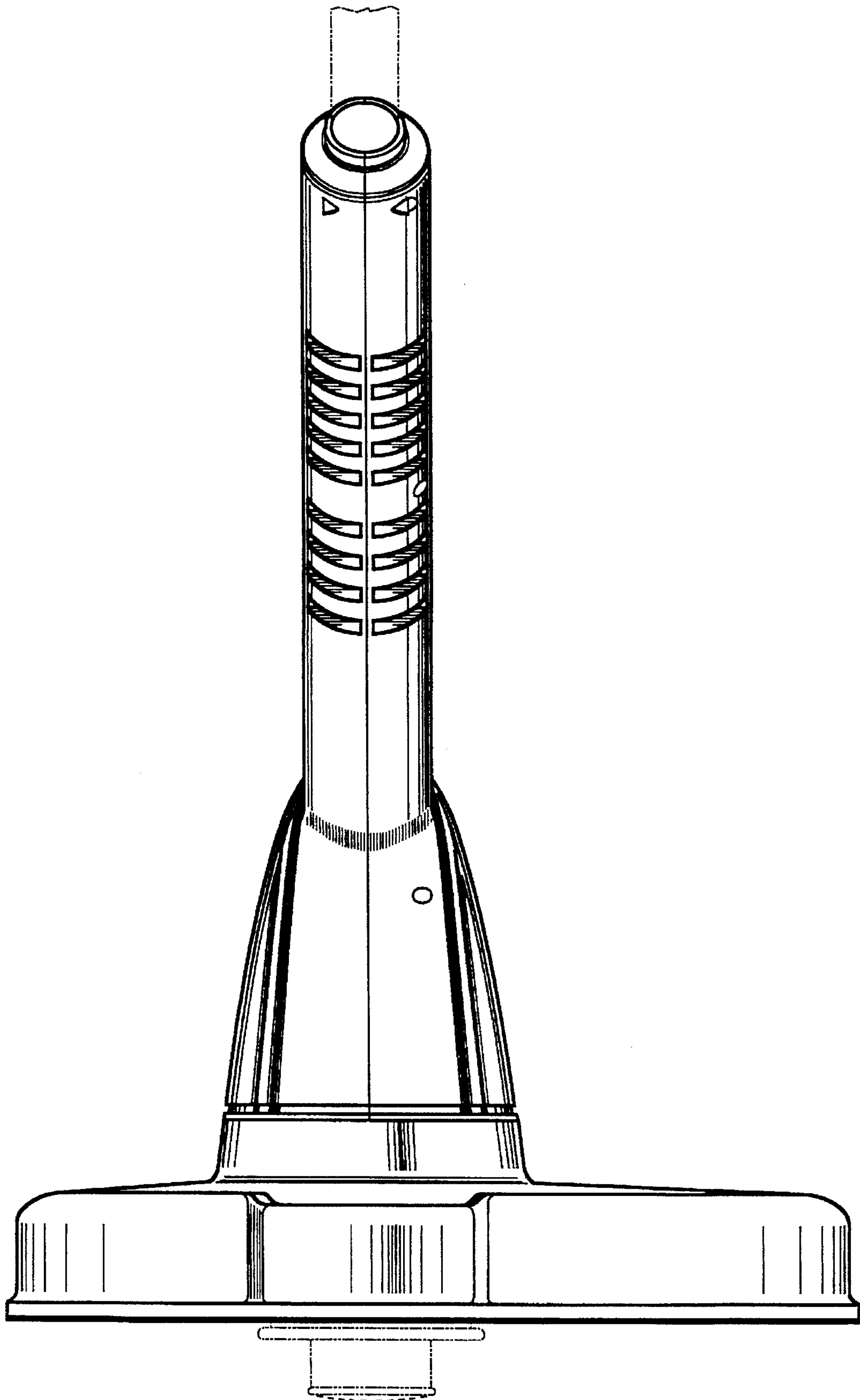


Fig. 14