



US00D369050S

United States Patent [19]

[11] Patent Number: **Des. 369,050**

Sargent et al.

[45] Date of Patent: ****Apr. 23, 1996**

[54] **SOAP DISH AND WASHCLOTH HOLDER**

[76] Inventors: **Raymond M. Sargent**, 2210 Wilshire Blvd. #976, Santa Monica, Calif. 90403;
Johanne Sargent, 12 Burns Close, Eastleigh, Hampshire, England, S050 5DU

[**] Term: **14 Years**

[21] Appl. No.: **34,686**

[22] Filed: **Feb. 9, 1995**

[52] U.S. Cl. **D6/527; D6/540; D6/548**

[58] Field of Search **D6/536, 537, 540, D6/546, 548, 527; 211/66-88, 90, 123, 181; 206/77.1**

[56] **References Cited**

U.S. PATENT DOCUMENTS

D. 274,486 7/1984 Thompson D6/540 X
D. 293,184 12/1987 Chap .

D. 327,598 7/1992 Emery .
D. 349,206 8/1994 Fischer et al. D6/536
D. 360,095 7/1995 Wang D6/548
3,797,790 3/1974 Iseki .
4,699,279 10/1987 Spira .
4,789,069 12/1988 Baus .

Primary Examiner—Brian N. Vinson

[57] **CLAIM**

The ornamental design for the soap dish and washcloth holder, as shown and described.

DESCRIPTION

FIG. 1 is a front elevational view of the soap dish and washcloth holder showing our new design; FIG. 2 is a rear elevational view thereof; FIG. 3 is a left side elevational view thereof; FIG. 4 is a right side elevational view thereof; FIG. 5 is a top plan view thereof; and, FIG. 6 is a bottom plan view thereof.

1 Claim, 3 Drawing Sheets

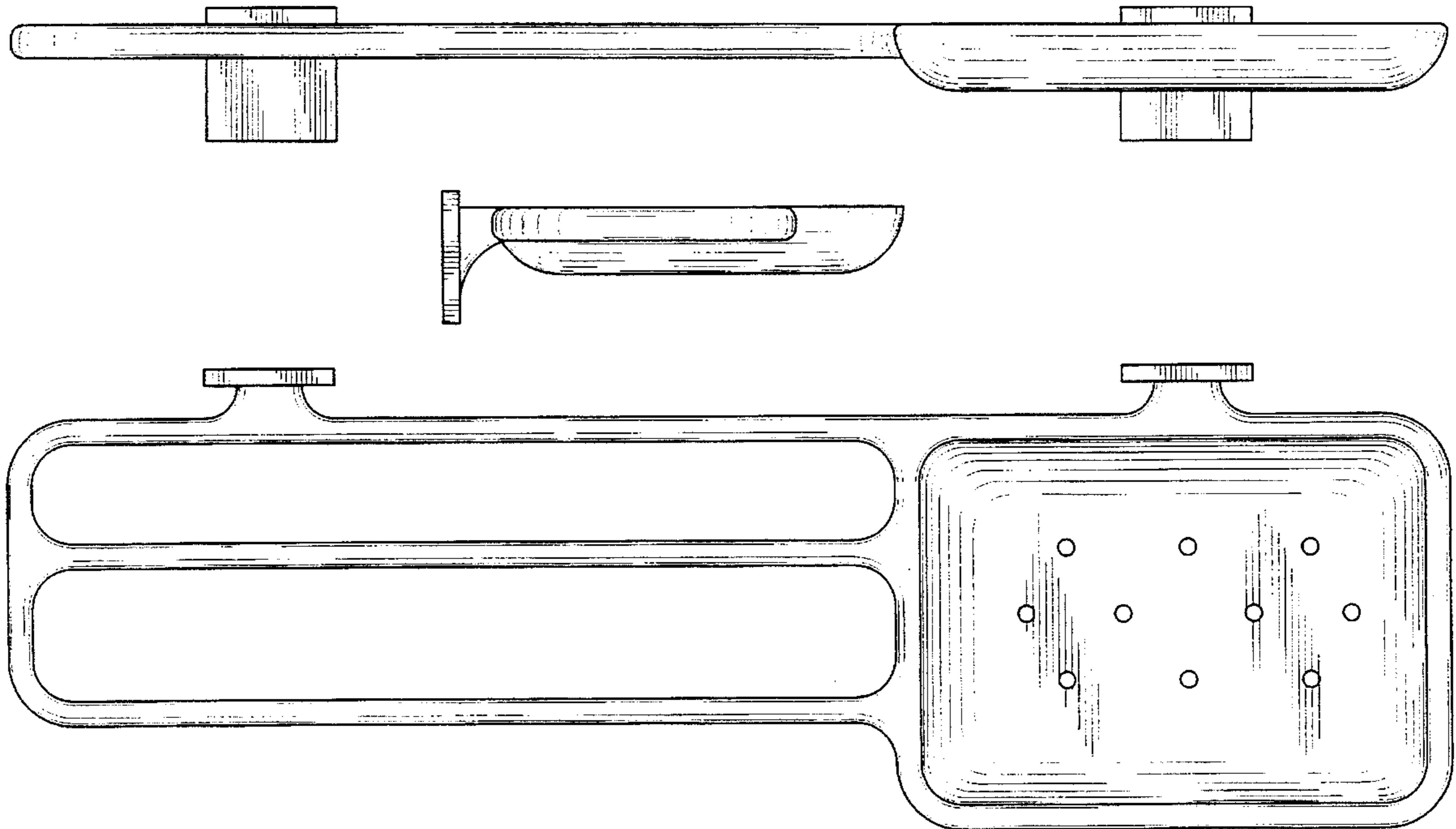


FIG. 1

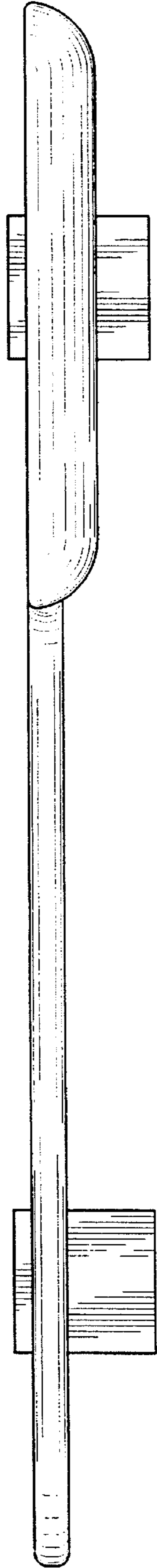


FIG. 2

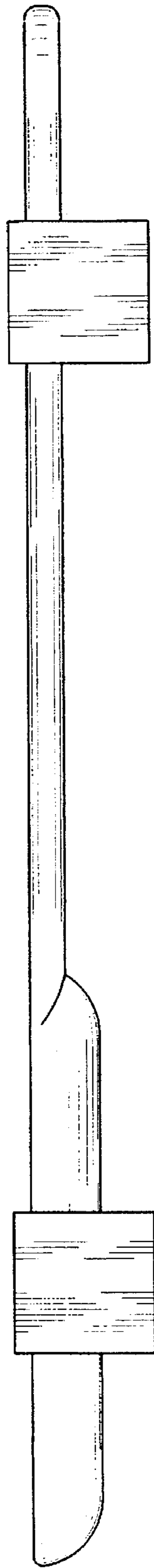


FIG. 3

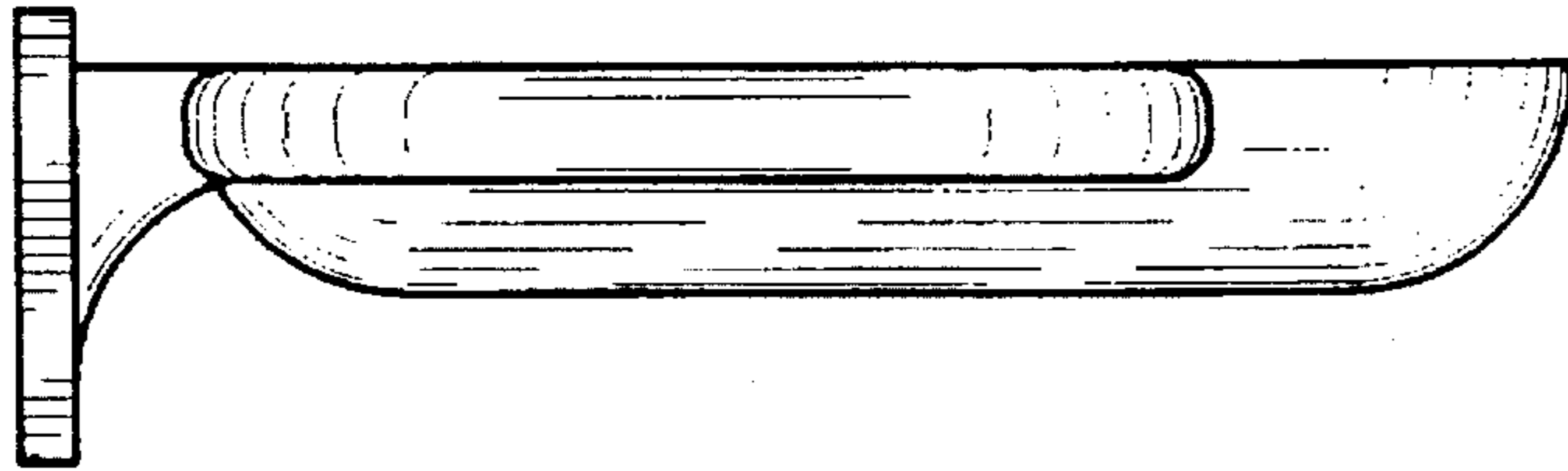


FIG. 4

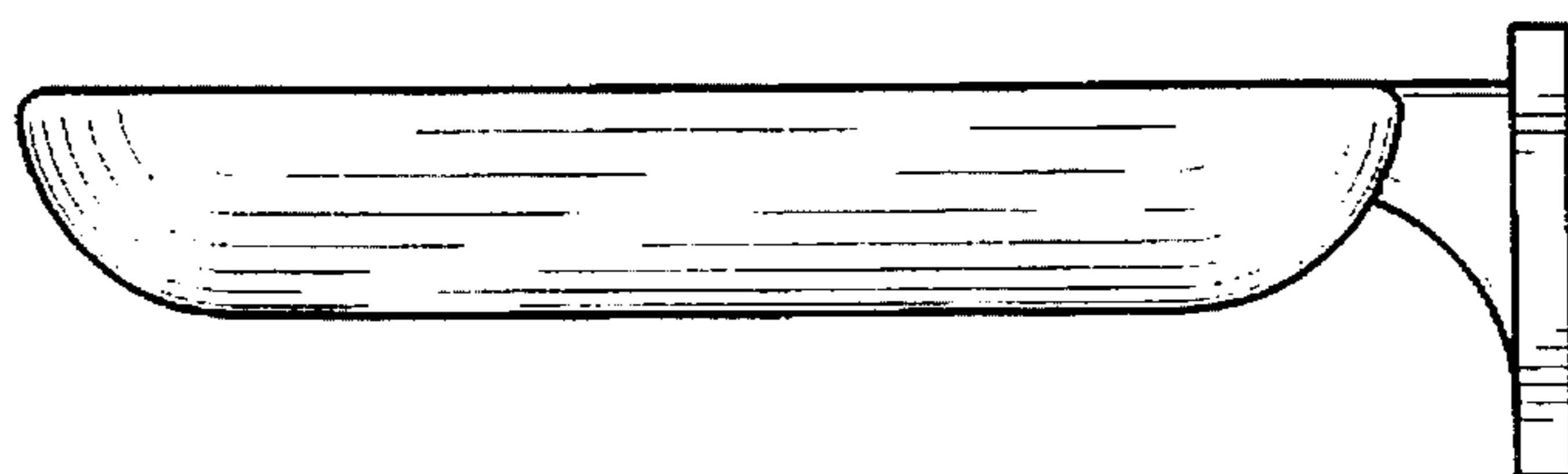


FIG. 5

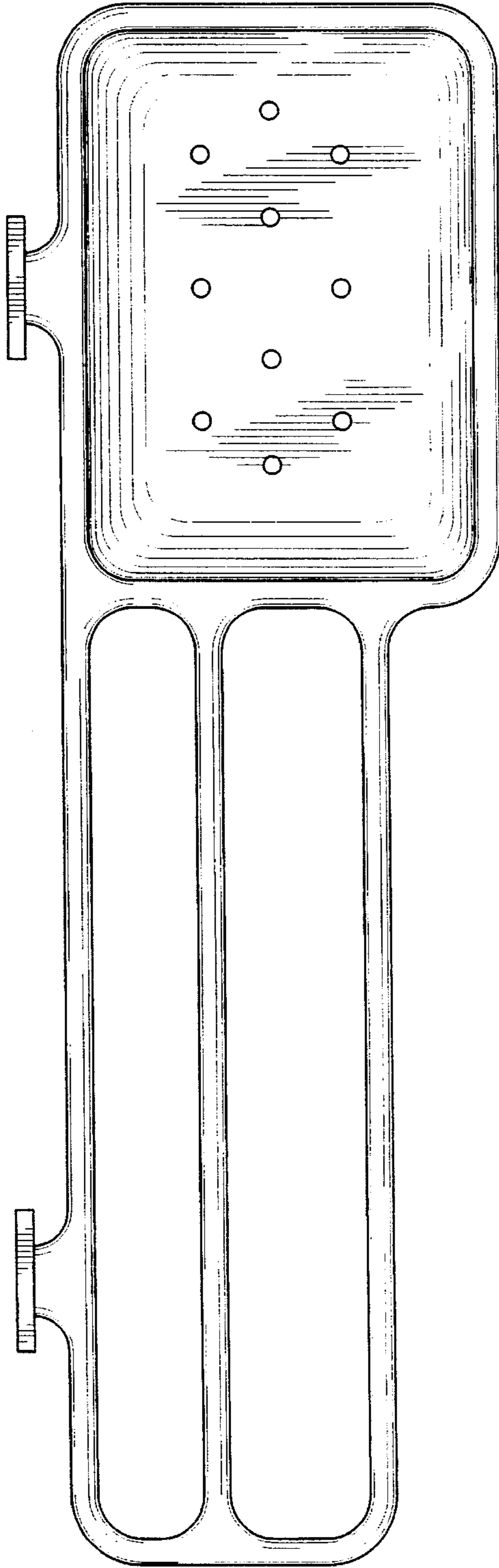


FIG. 6

