



US00D369045S

United States Patent [19] Mitchell

[11] Patent Number: **Des. 369,045**

[45] Date of Patent: ****Apr. 23, 1996**

- [54] TABLE
- [75] Inventor: **Bob Mitchell**, Lenoir, N.C.
- [73] Assignee: **Master Design Furniture, Inc.**, Greensboro, N.C.
- [**] Term: **14 Years**
- [21] Appl. No.: **25,449**
- [22] Filed: **Jul. 1, 1994**
- [52] U.S. Cl. **D6/488; D6/511**
- [58] Field of Search **D6/480-489, 495, D6/511, 349, 352; 108/153, 156, 161**

- Carmel 6100 Series.
- Carmel 6300 Series.
- 6200 Series.
- Drexel Et Cetera—table at top, p. 53 ©1984.
- Drexel Et Cetera, p. 52, ©1984, table at top.
- Chromraft, #EL-1.
- Evans 1987-1988—p. 232 #2 table at top left.
- Official Buyers Guide to the Southern Market Spring 1983, p. 143 table at bottom.
- Thomasville Camille—p. 9 (table top at center right).

Primary Examiner—Janice E. Seeger
Attorney, Agent, or Firm—Rhodes Coats & Bennett

[56] **References Cited**

U.S. PATENT DOCUMENTS

D. 86,529	3/1932	Lober et al. .	
D. 239,843	5/1976	Freeman .	
D. 241,395	9/1976	Pert	D6/511
D. 243,982	4/1977	Carter	D6/484
D. 259,981	7/1981	Alpert .	
D. 263,909	4/1982	Adkinson .	
D. 283,382	4/1986	Goldsmith .	
D. 284,919	8/1986	Garcia et al. .	
D. 288,642	3/1987	Deluca .	
D. 297,599	9/1988	Deluca .	
D. 297,989	10/1988	Deluca .	
D. 323,086	1/1992	Arcese et al. .	
D. 342,631	12/1993	Geniele et al. .	
D. 344,421	2/1994	Keller	D6/511 X
D. 346,713	5/1994	Ferguson .	
D. 350,865	9/1994	Ward	D6/484
3,885,765	5/1975	Richards .	

OTHER PUBLICATIONS

Meridian Oak 8500 Series.
Meridian Shelf 6500 Series.
Meridian Shelf 6600 Series.

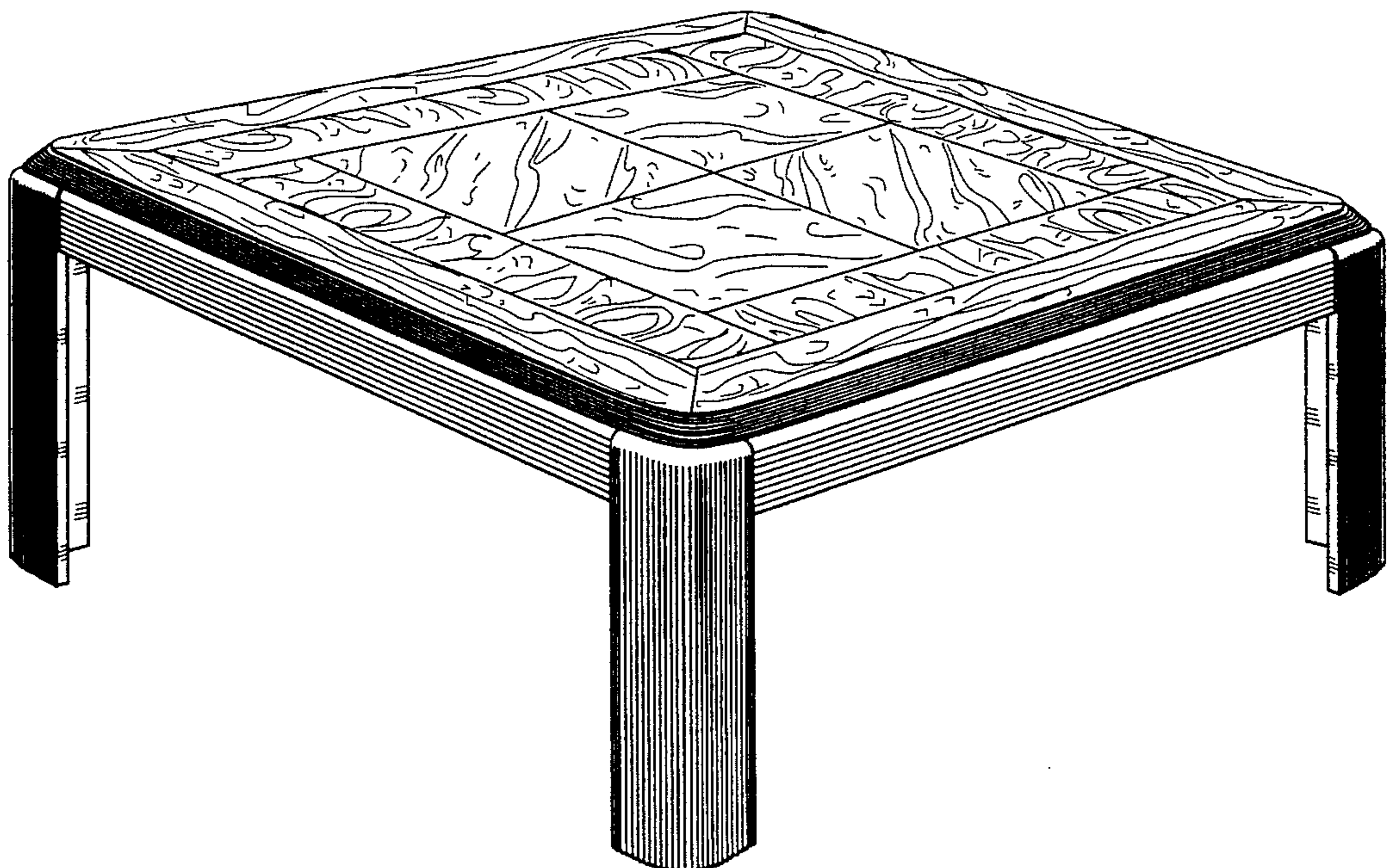
[57] **CLAIM**

The ornamental design for a table, as shown and described.

DESCRIPTION

FIG. 1 is a perspective view of a first embodiment of a table according to my new design;
 FIG. 2 is a top view of the table of FIG. 1;
 FIG. 3 is a front elevation view of the table of FIG. 1;
 FIG. 4 is a side elevation view of the table of FIG. 1;
 FIG. 5 is a close-up, detail view of the intersection of a leg and table skirt according to all of the embodiments;
 FIG. 6 is a perspective view of a table, showing a second embodiment of my new design;
 FIG. 7 is a perspective view of a table, showing a third embodiment of my new design; and,
 FIG. 8 is a perspective view of a table, showing a fourth embodiment of my new design.

1 Claim, 7 Drawing Sheets



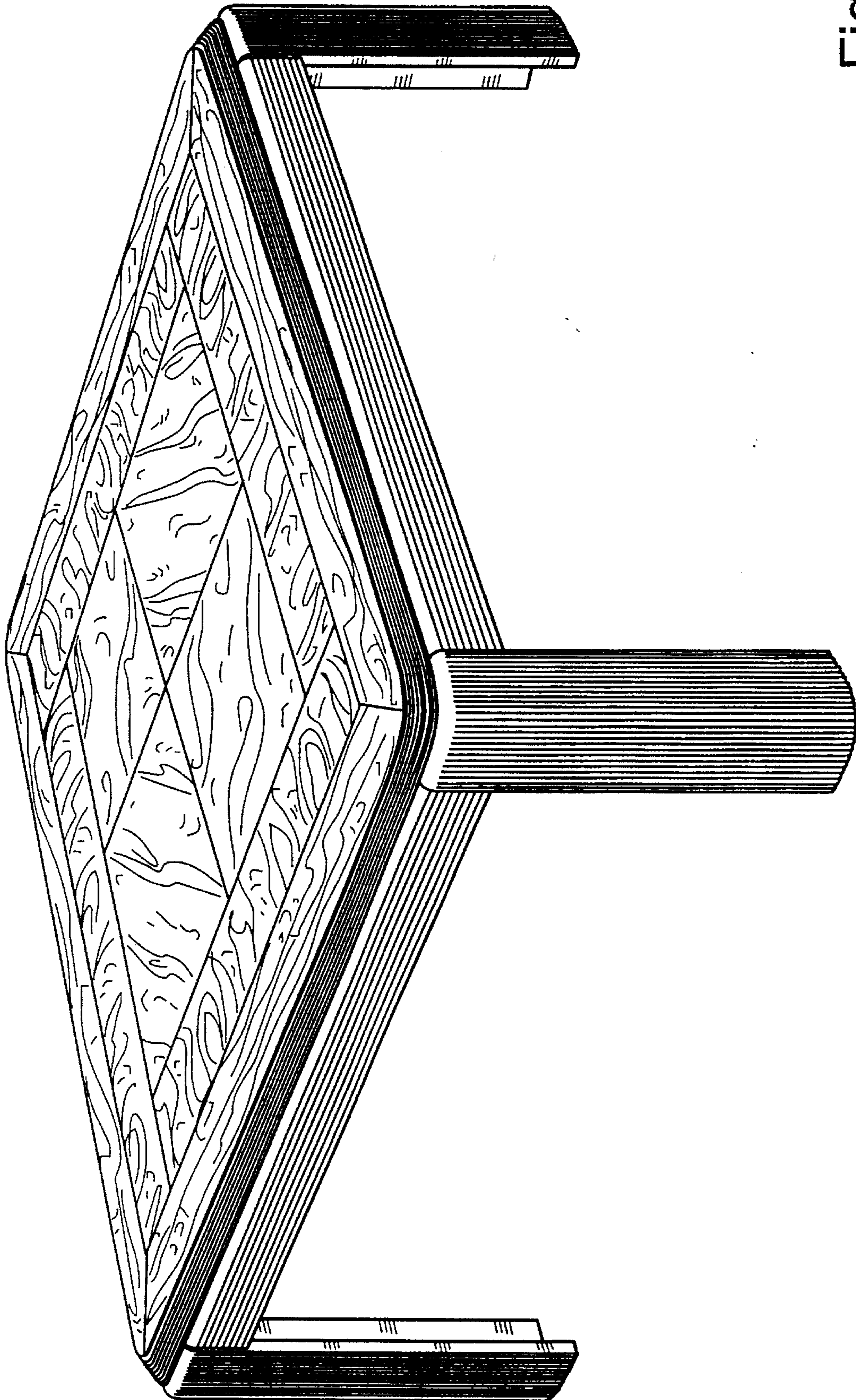


Fig. 1

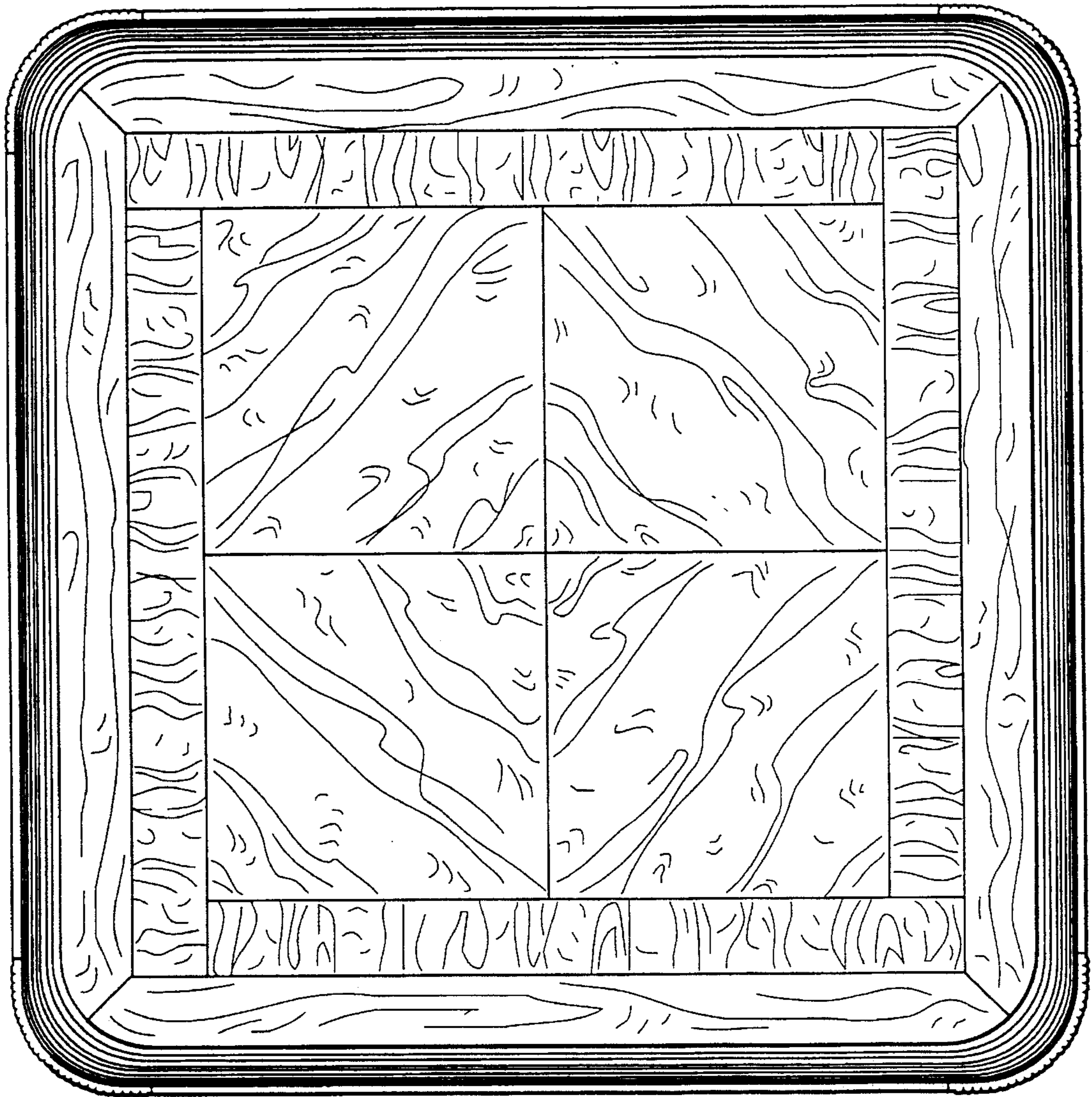


Fig. 2

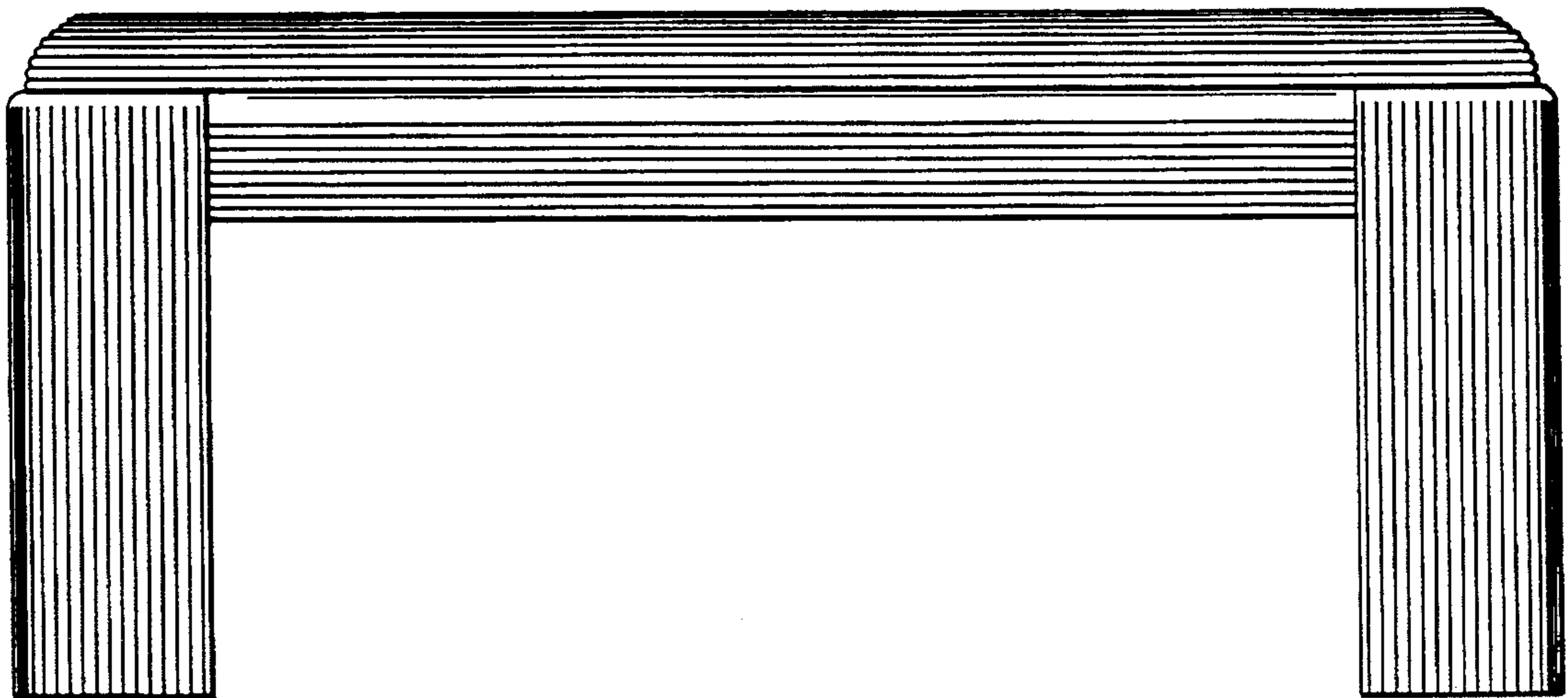


Fig. 3

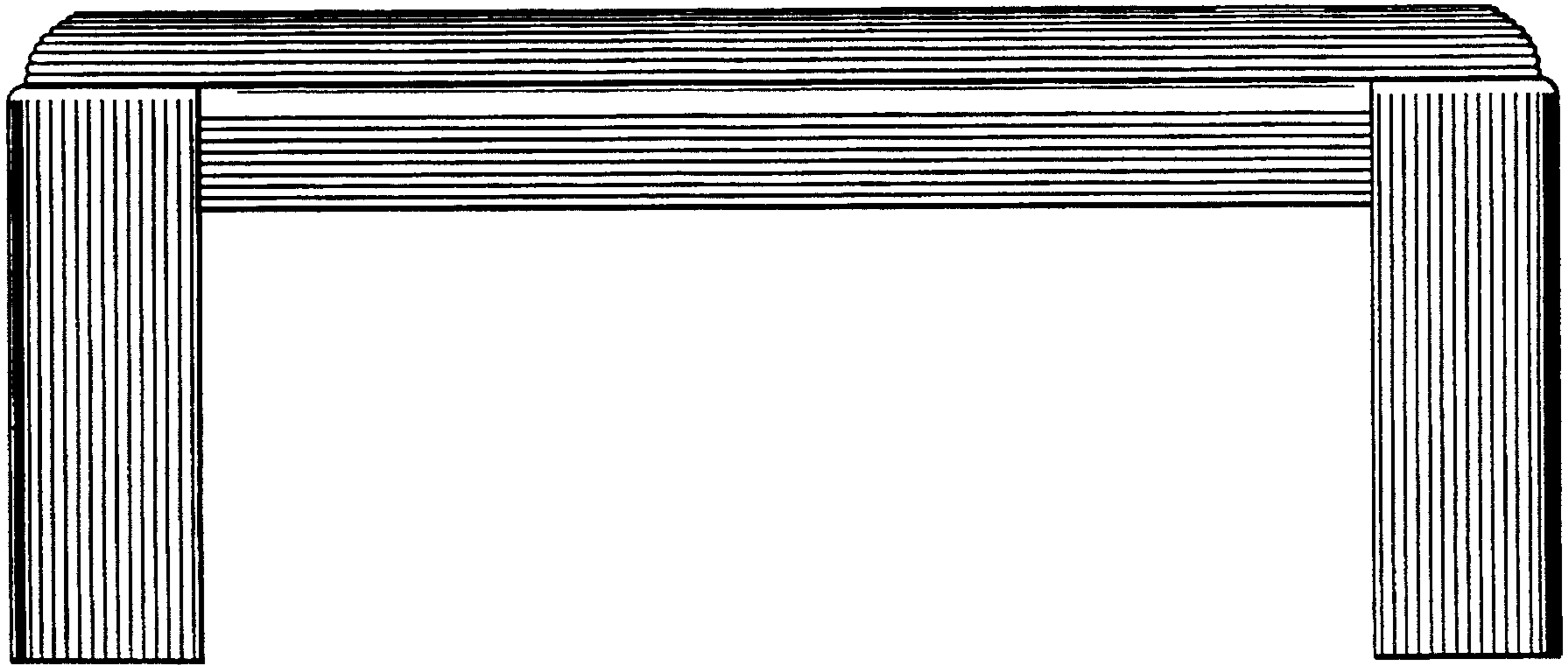


Fig. 4

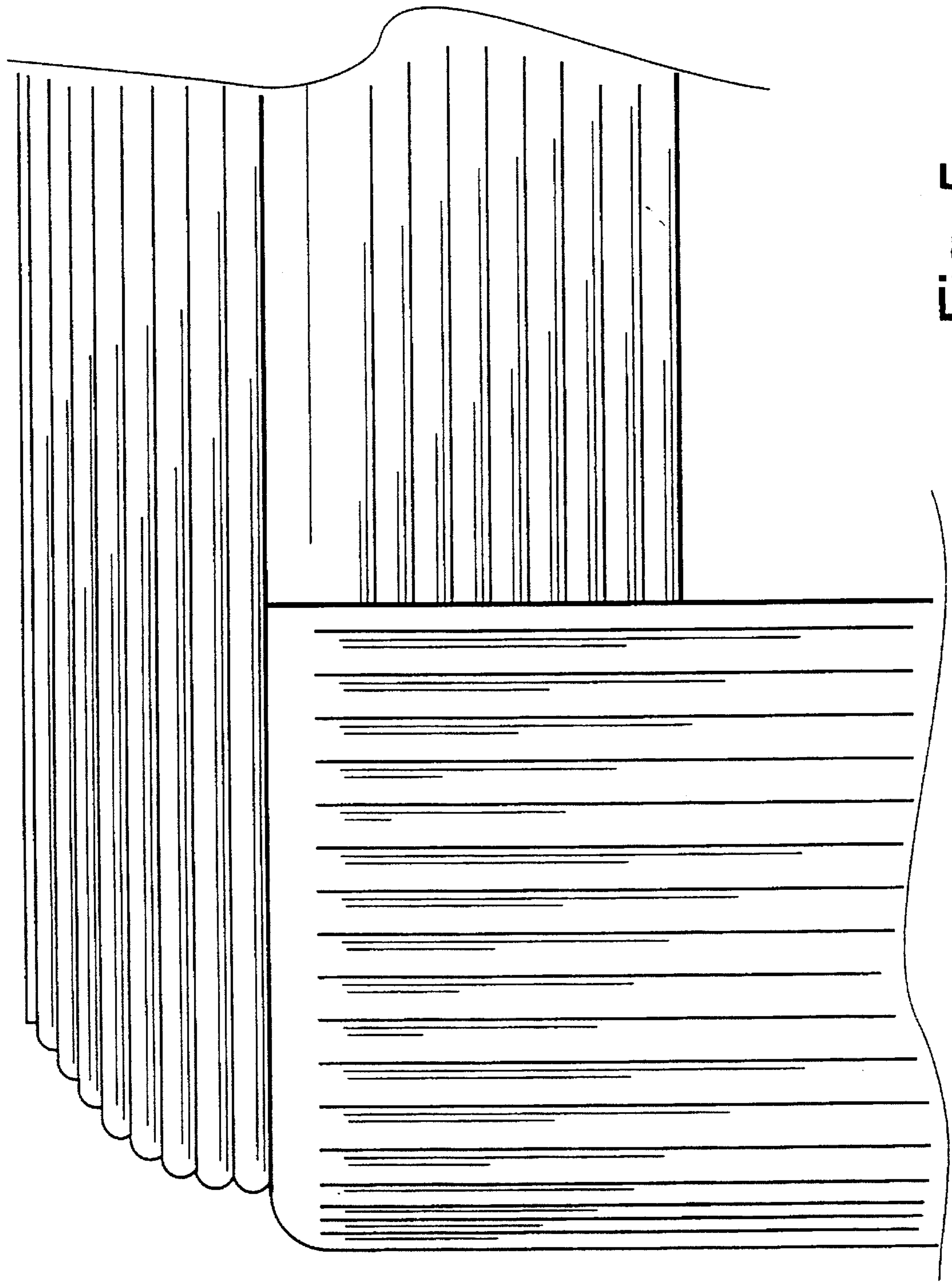


Fig. 5

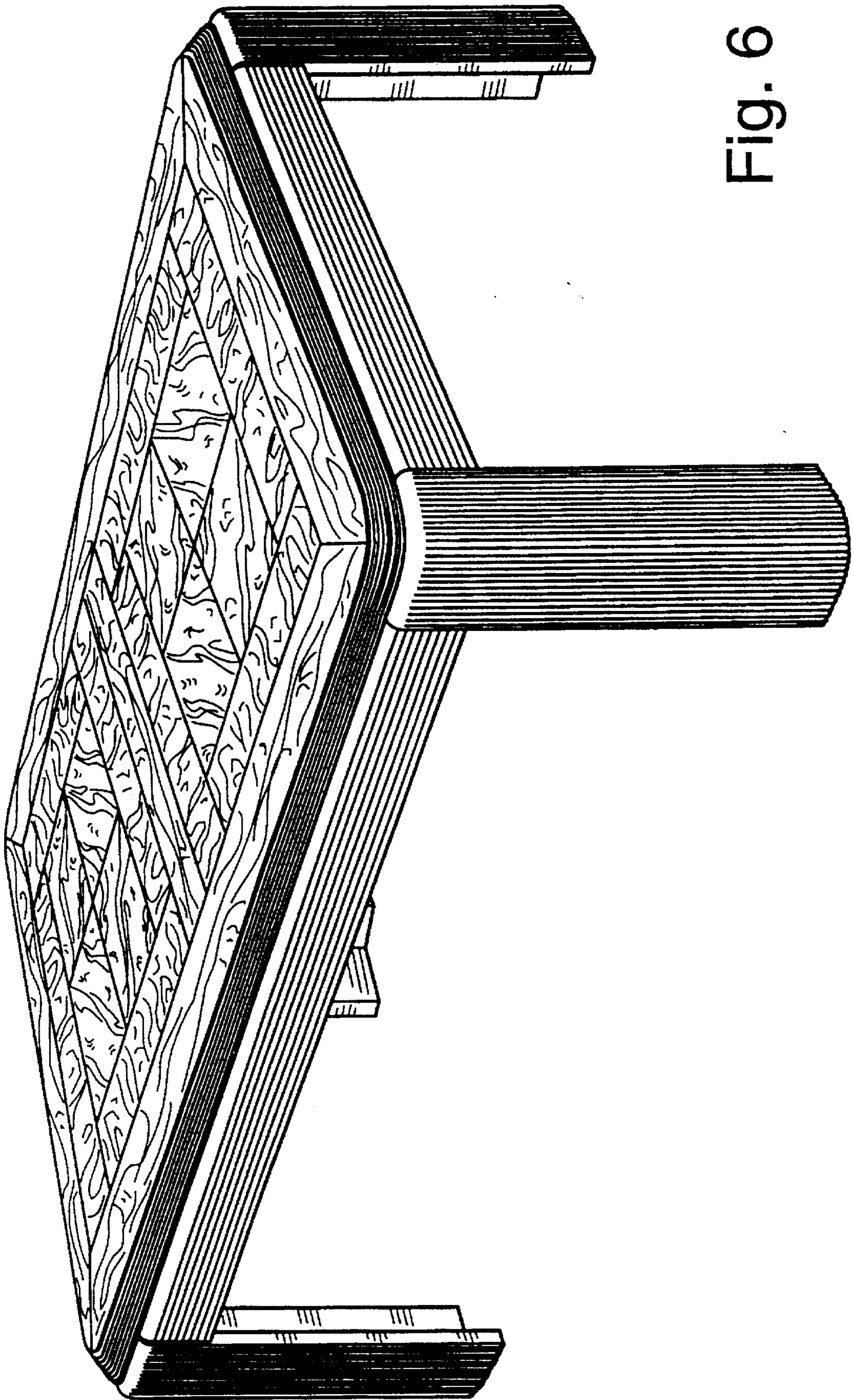


Fig. 6

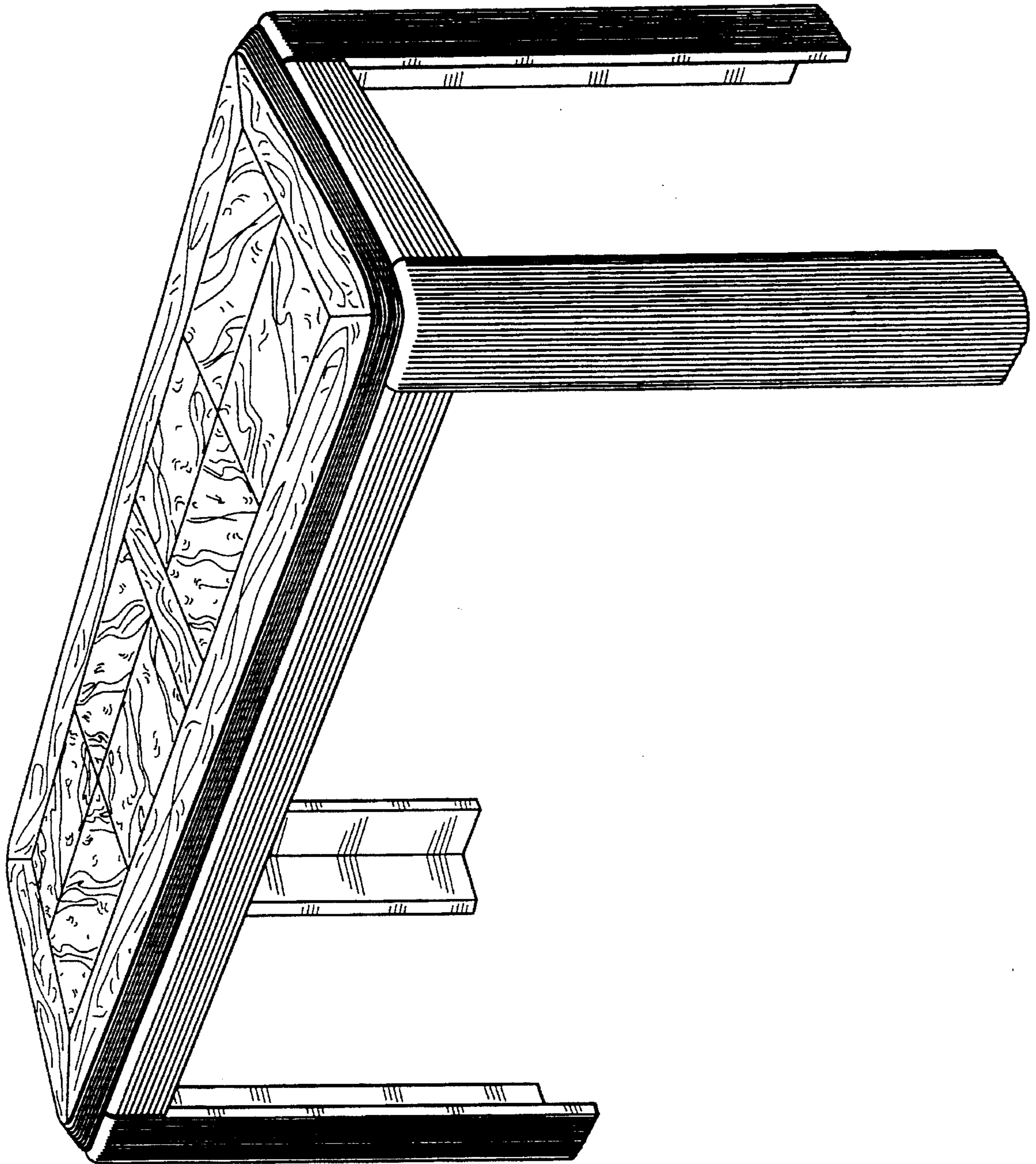


Fig. 7

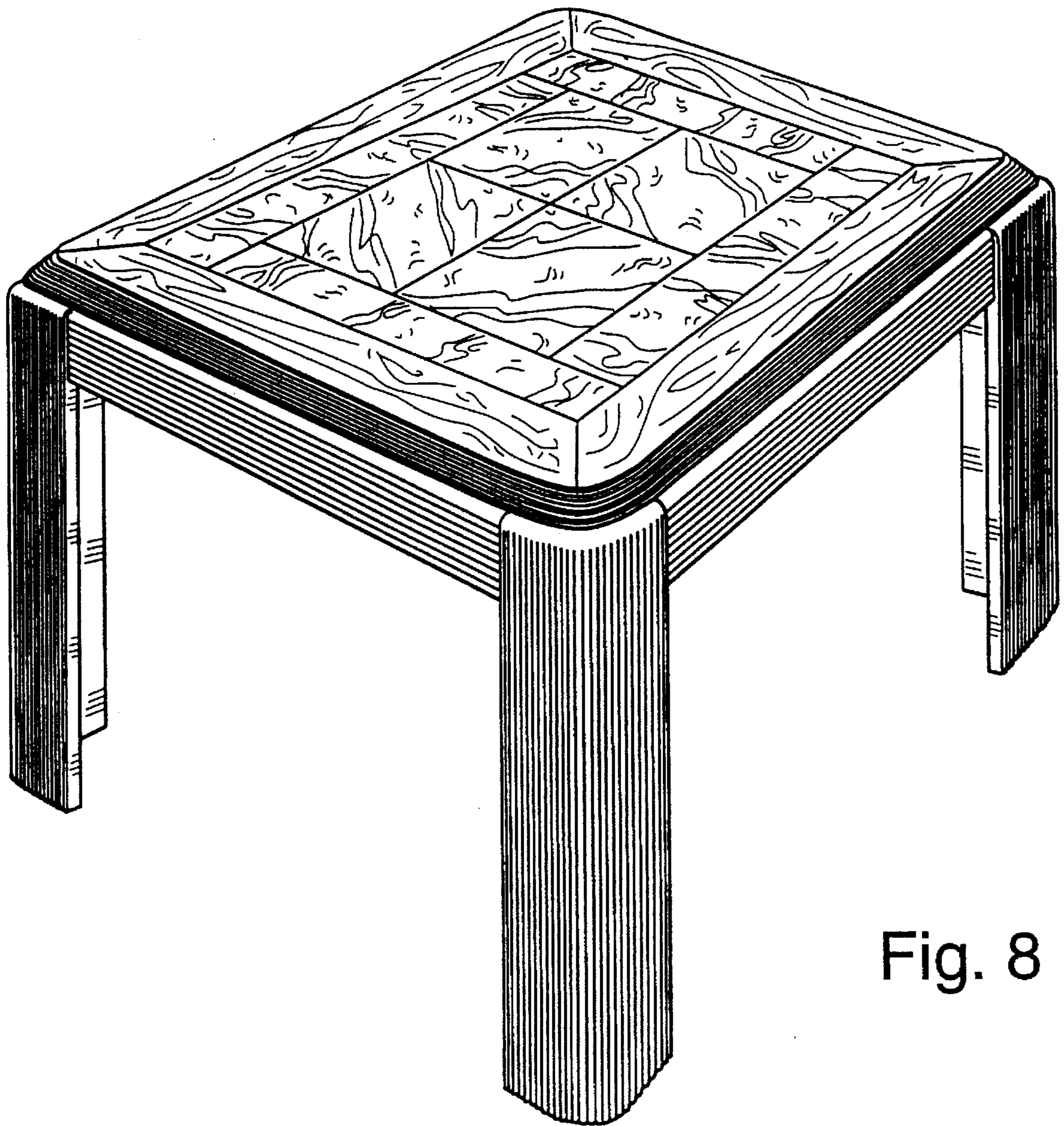


Fig. 8