



US00D369044S

# United States Patent [19]

Lechleiter et al.

[11] Patent Number: **Des. 369,044**

[45] Date of Patent: **\*\*Apr. 23, 1996**

[54] **DISPLAY POST**

1,385,043 7/1921 Dunkelberger ..... 248/469  
4,288,035 9/1981 Sarkisian ..... 248/218.4

[75] Inventors: **Paul R. Lechleiter, Powell; Mark B. Artus, Beechwold, both of Ohio**

*Primary Examiner*—Alan P. Douglas

*Assistant Examiner*—S. Snap

*Attorney, Agent, or Firm*—Akin, Gump, Strauss, Hauer & Feld

[73] Assignee: **Blockbuster Entertainment Corporation, Ft. Lauderdale, Fla.**

[\*\*] Term: **14 Years**

## [57] CLAIM

The ornamental design for a display post, as shown and described.

[21] Appl. No.: **31,786**

[22] Filed: **Dec. 6, 1994**

## DESCRIPTION

[52] U.S. Cl. .... **D6/476**

[58] **Field of Search** ..... D6/396, 399, 421, D6/449, 450, 451, 466-469, 473-476; D20/10, 18, 19, 29, 34, 40, 41; 312/7.2, 9.1, 114; 248/129, 469, 218.4; 40/611, 617

FIG. 1 is a perspective view of a display post showing our new design;

FIG. 2 is a front elevational view thereof;

FIG. 3 is a right side elevational view thereof;

FIG. 4 is a left side elevational view thereof;

FIG. 5 is a rear elevational view thereof;

FIG. 6 is a top plan view thereof; and,

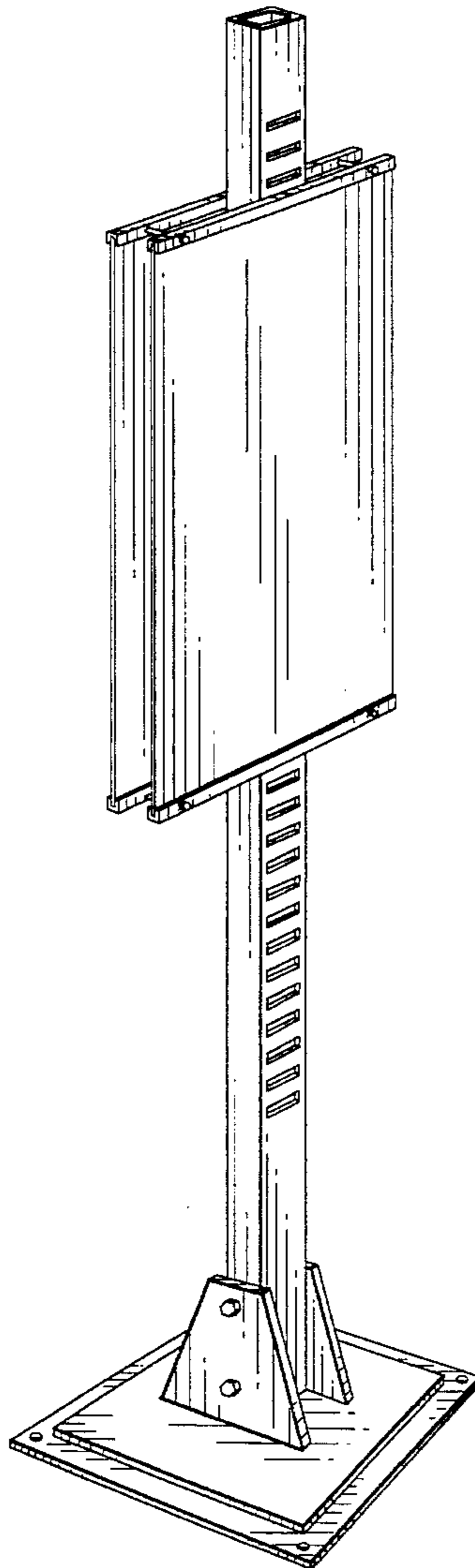
FIG. 7 is a bottom plan view thereof.

## [56] References Cited

### U.S. PATENT DOCUMENTS

D. 205,115 6/1966 Choiniere ..... D6/449  
1,359,492 11/1920 Demuth ..... 248/469

**1 Claim, 4 Drawing Sheets**



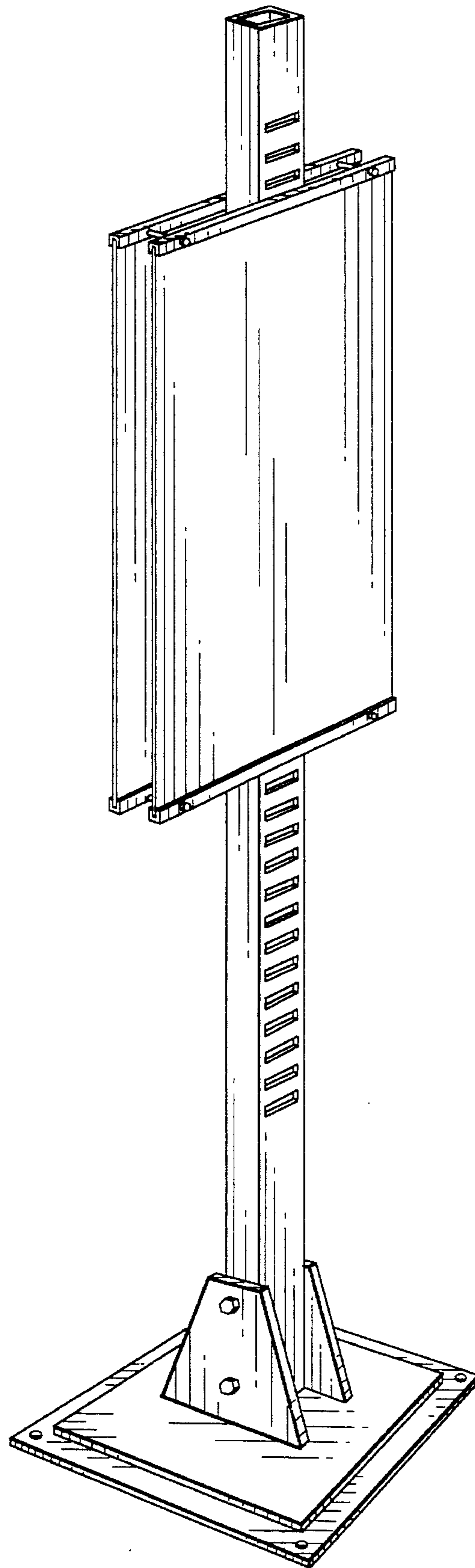


Fig. 1

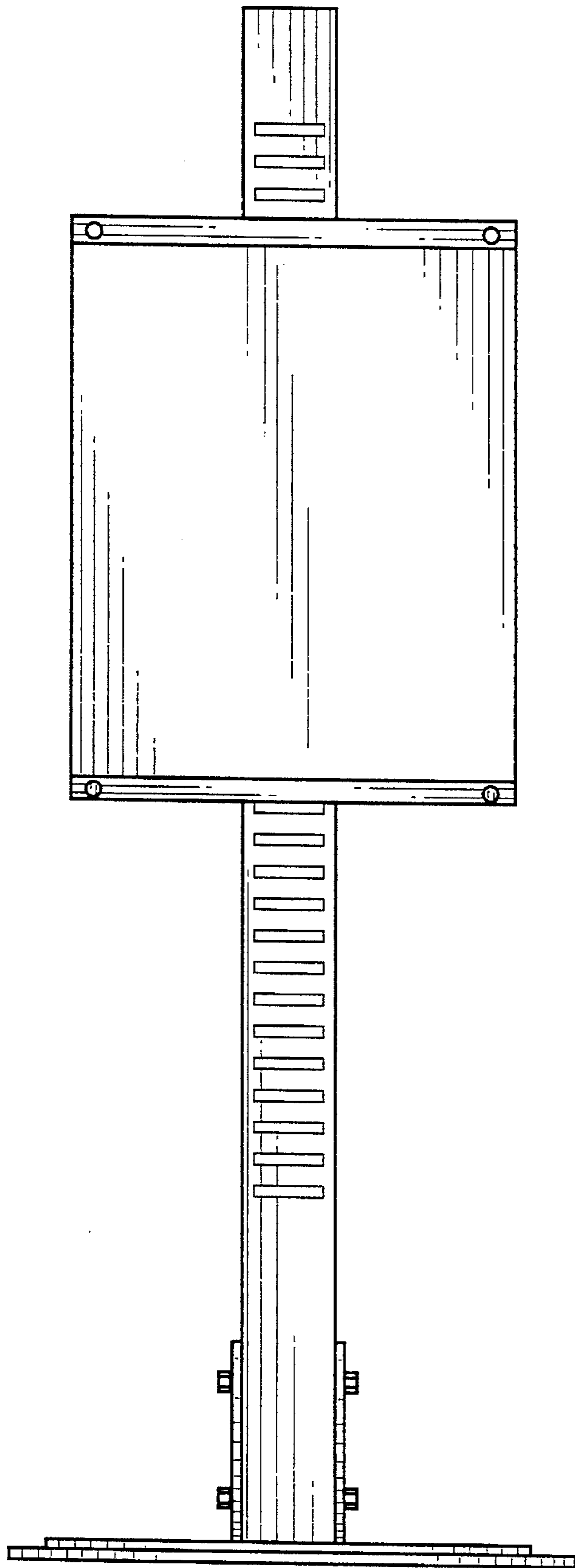


Fig. 2

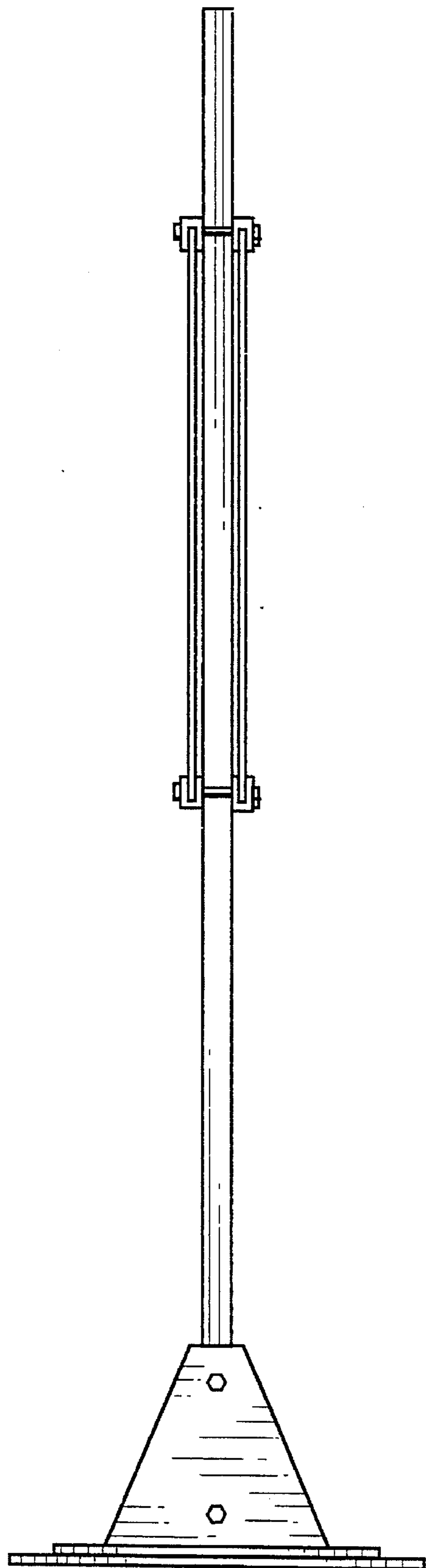


Fig. 3

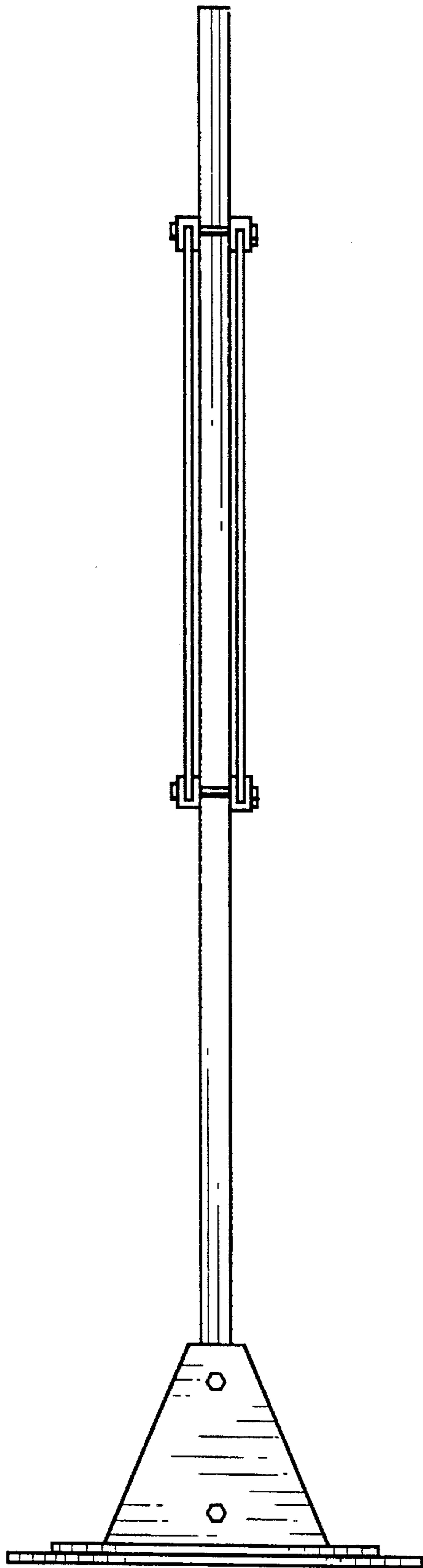


Fig. 4

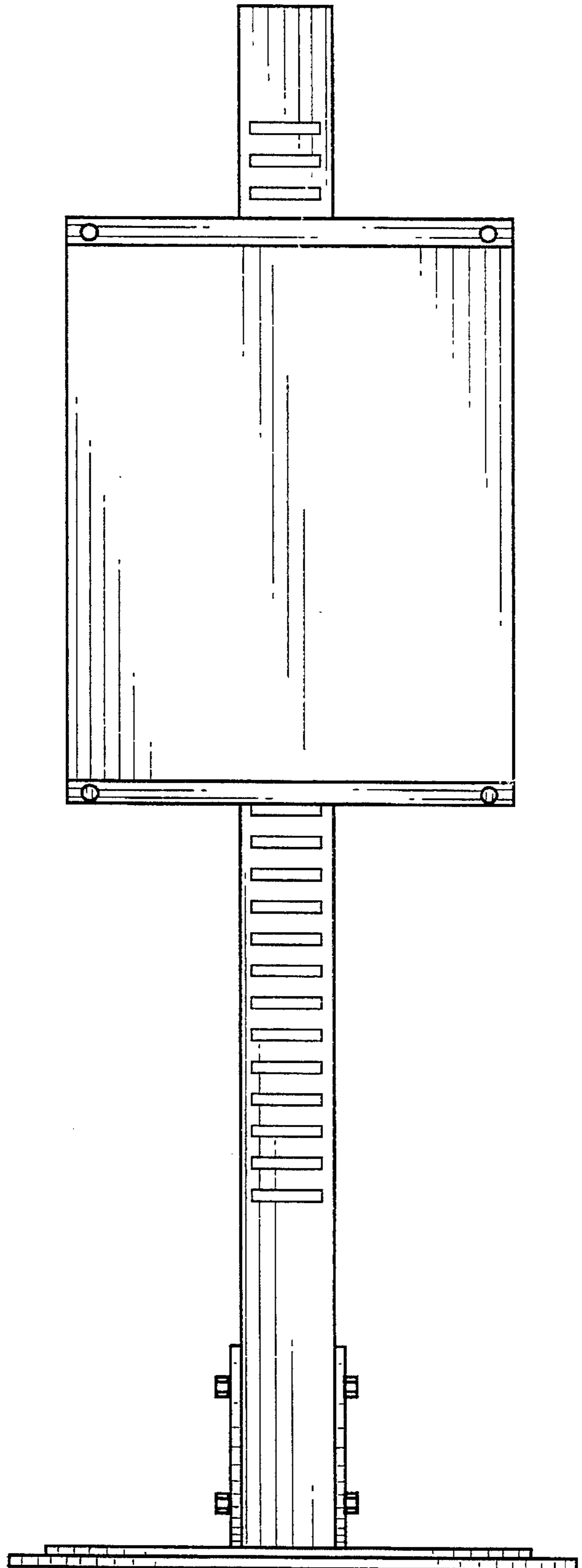


Fig. 5

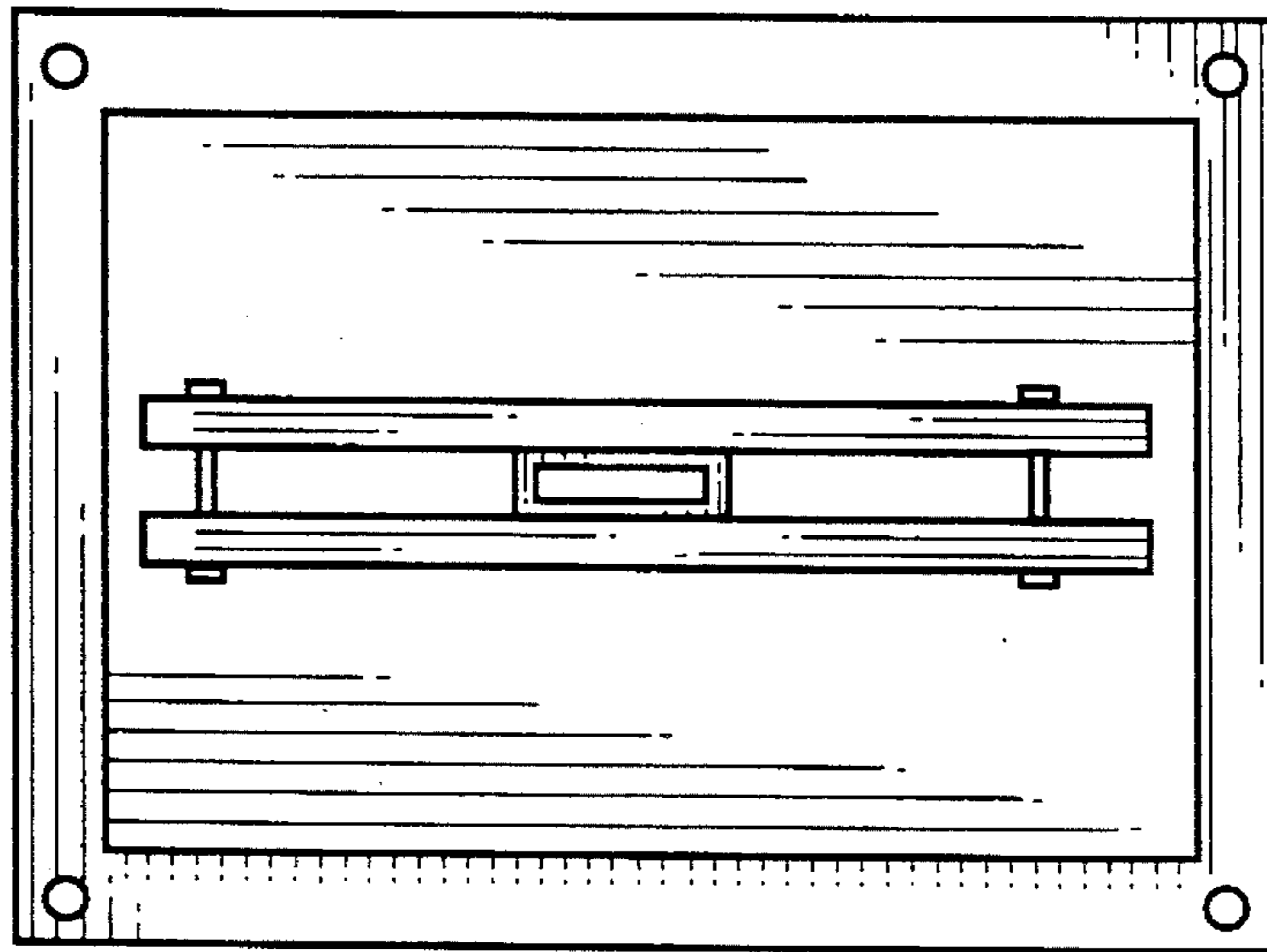


Fig. 6

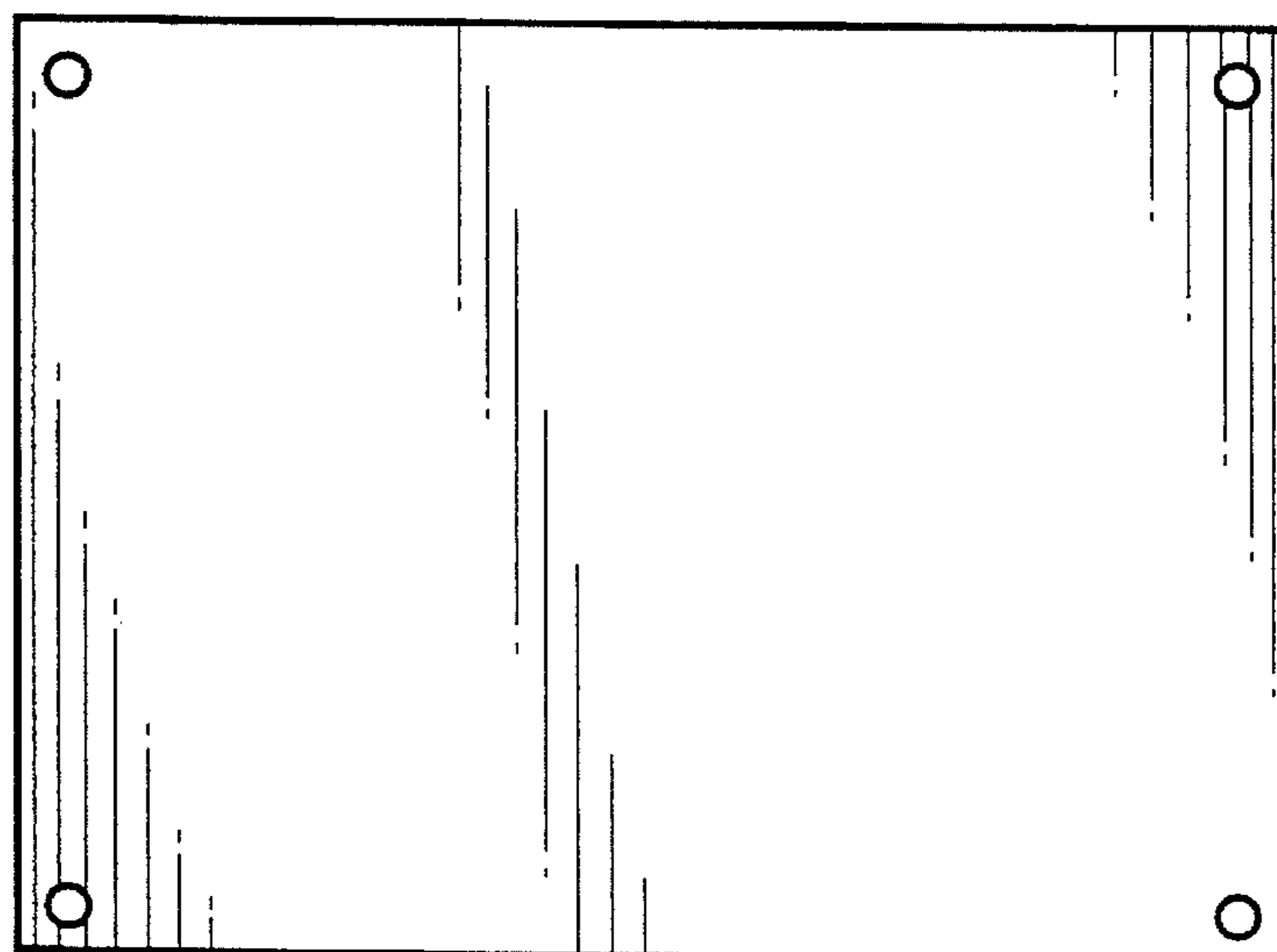


Fig. 7