



US00D369041S

United States Patent [19]

[11] **Patent Number: Des. 369,041**

Lechleiter et al.

[45] **Date of Patent: **Apr. 23, 1996**

[54] **DISPLAY STAND**

[75] Inventors: **Paul R. Lechleiter, Powell; Mark B. Artus, Beechwold, both of Ohio**

[73] Assignee: **Blockbuster Entertainment Corporation, Ft. Lauderdale, Fla.**

[**] Term: **14 Years**

[21] Appl. No.: **27,700**

[22] Filed: **Aug. 29, 1994**

[52] U.S. Cl. **D6/470**

[58] **Field of Search** D21/13, 48; D6/396, D6/397, 449, 450, 451, 466-475; D20/10, 18, 19, 29, 34, 40, 41; 312/7.2, 9.1, 114; 248/129

[56] **References Cited**

U.S. PATENT DOCUMENTS

D. 99,414	4/1936	O'Neill	D6/397
D. 147,211	7/1947	Anderson et al.	D6/397
D. 286,233	10/1986	Schreiner	D6/397

Primary Examiner—Alan P. Douglas

Assistant Examiner—S. Snapp

Attorney, Agent, or Firm—Akin, Gump, Strauss, Hauer & Feld

[57] **CLAIM**

The ornamental design for a display stand, as shown and described.

DESCRIPTION

FIG. 1 is a perspective view of a display stand showing our new design;

FIG. 2 is a front elevational view thereof;

FIG. 3 is a top plan view thereof;

FIG. 4 is a left side elevational view thereof;

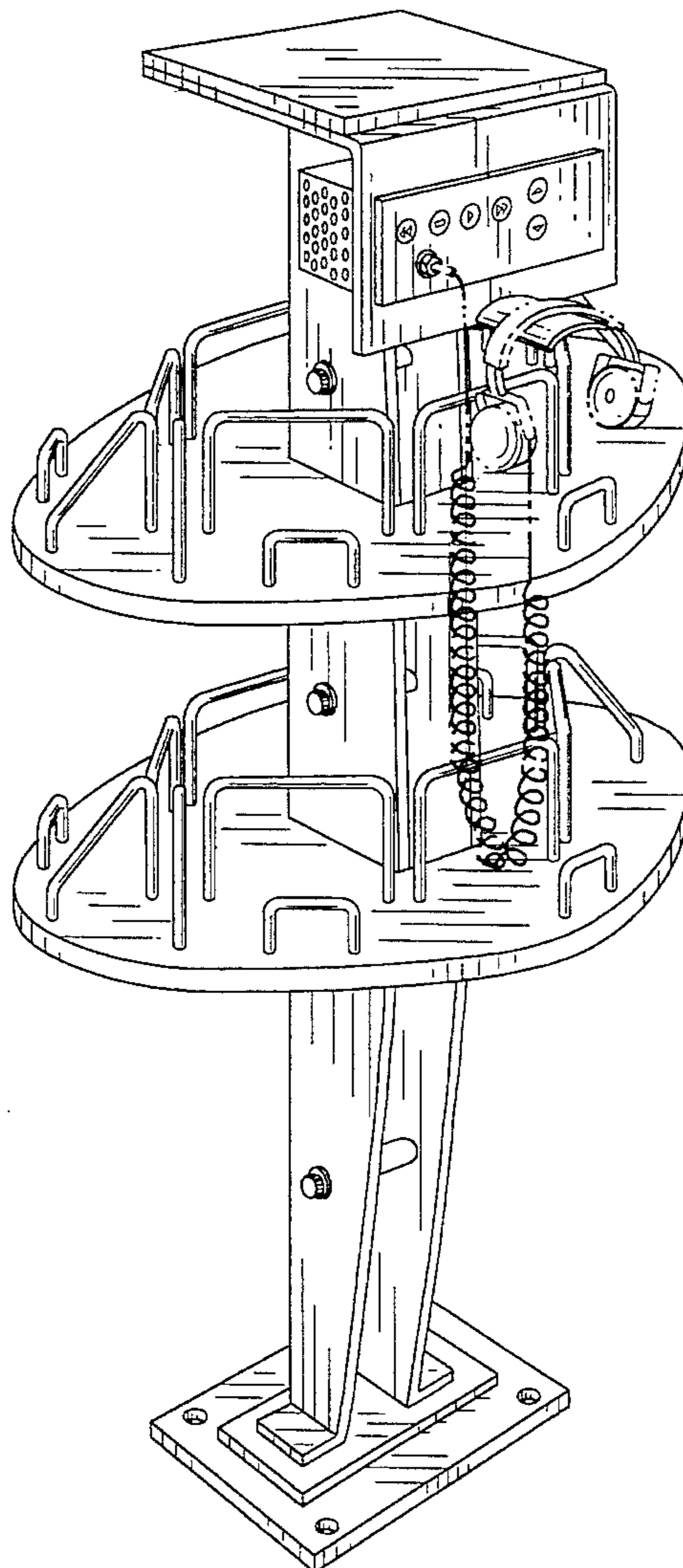
FIG. 5 is a right side elevational view thereof;

FIG. 6 is a rear elevational view thereof; and,

FIG. 7 is a bottom plan view thereof.

The broken line showing of headphones in FIG. 1 is for illustrative purposes only and forms no part of the claimed design.

1 Claim, 5 Drawing Sheets



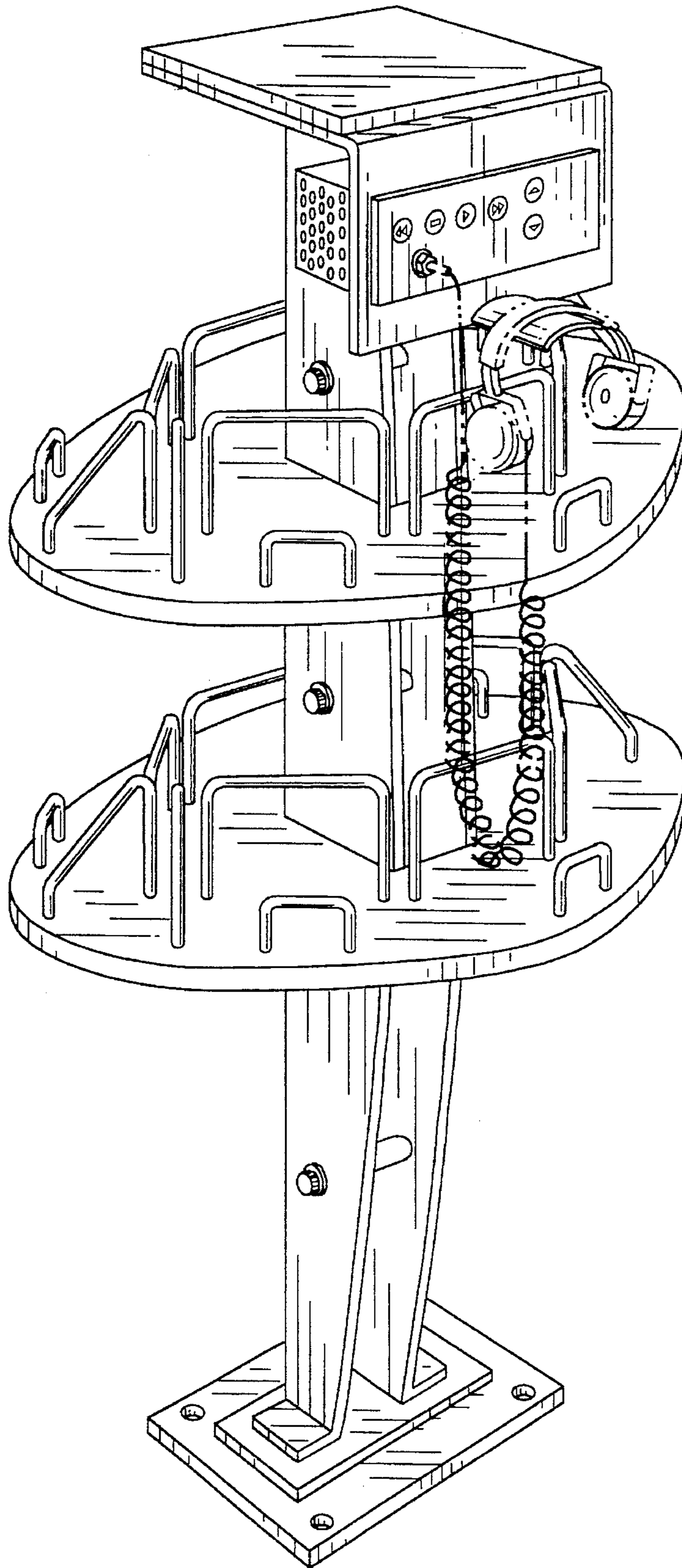


Fig. 1

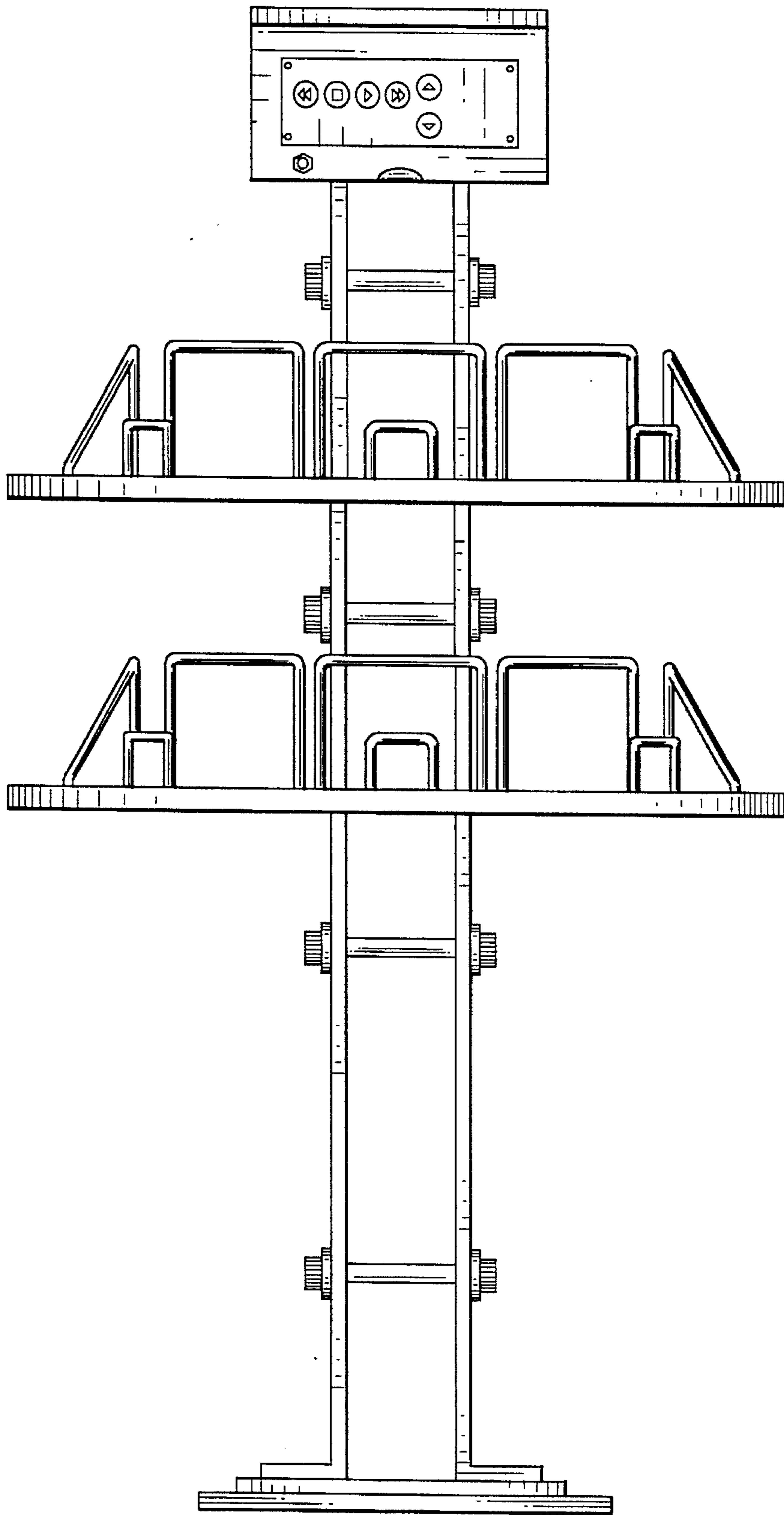


Fig. 2

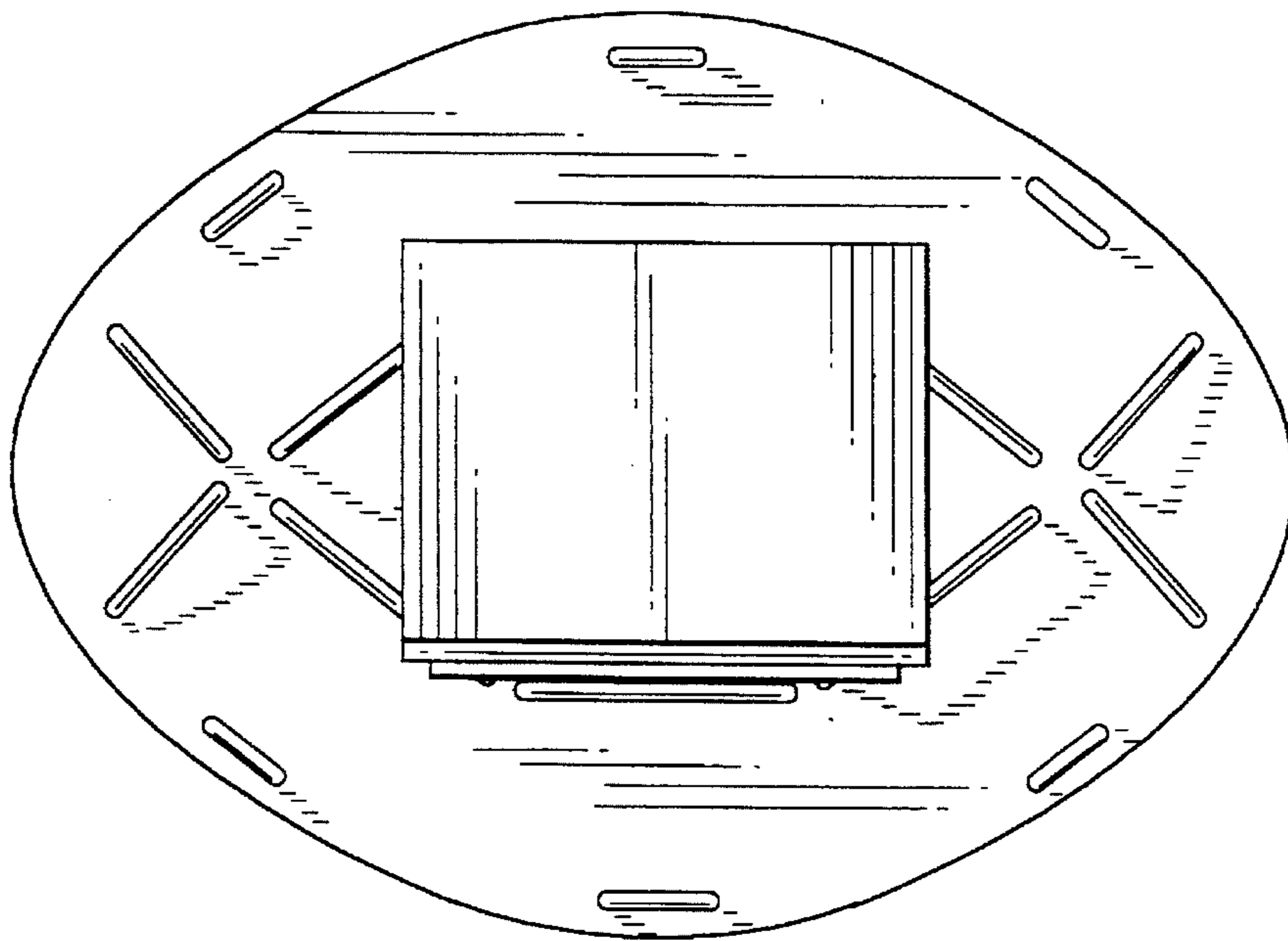


Fig. 3

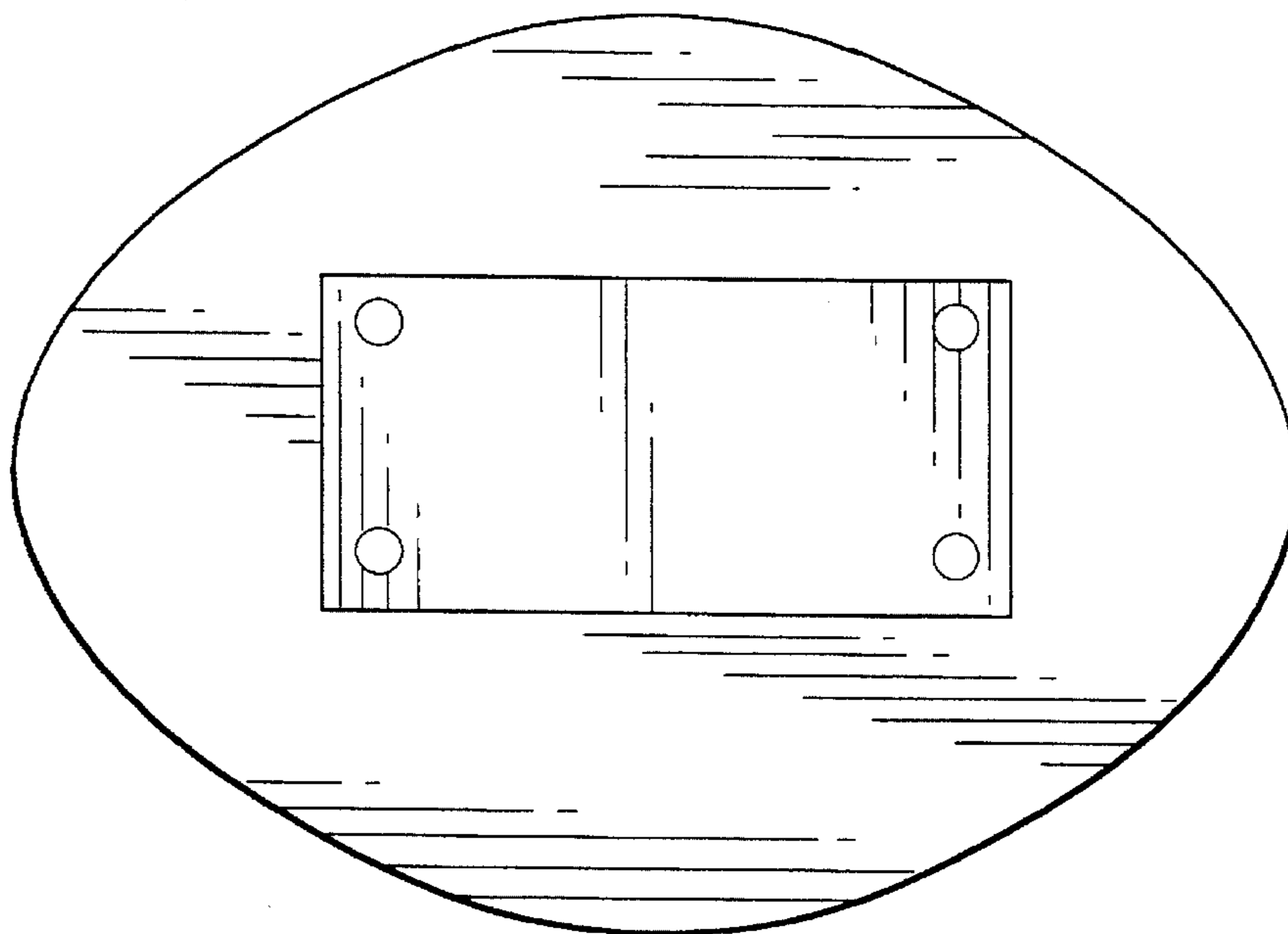


Fig. 7

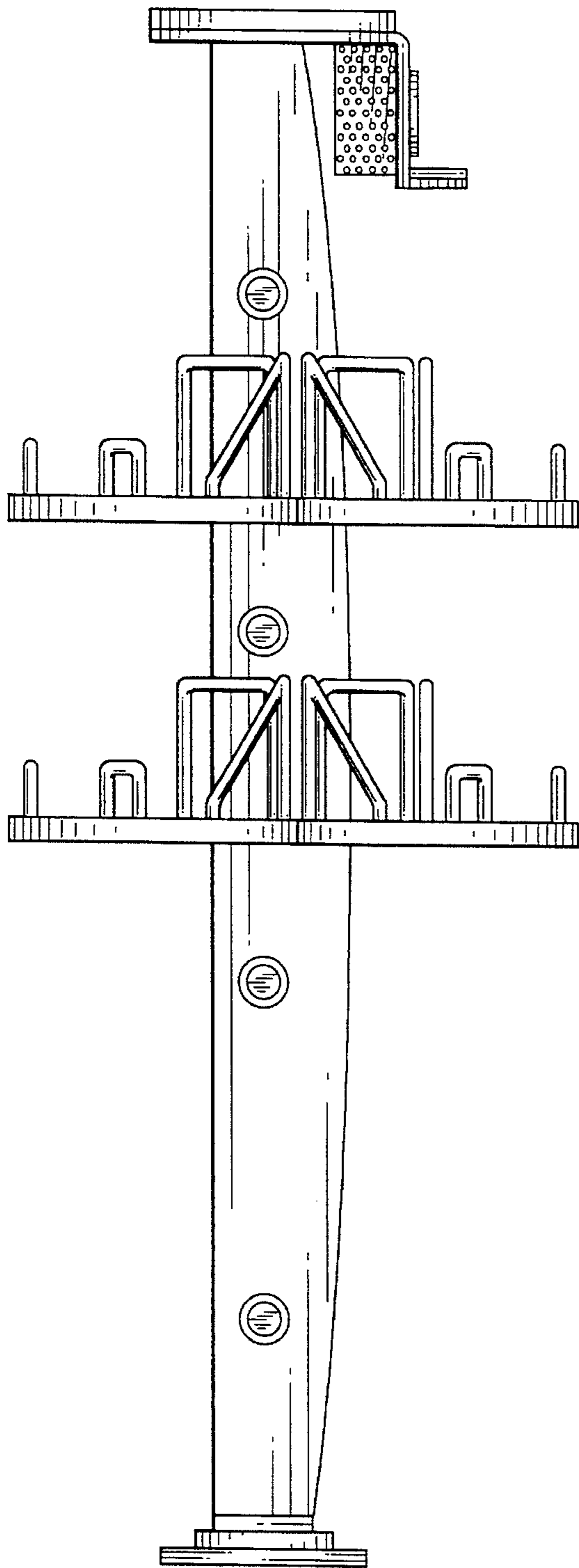


Fig. 4

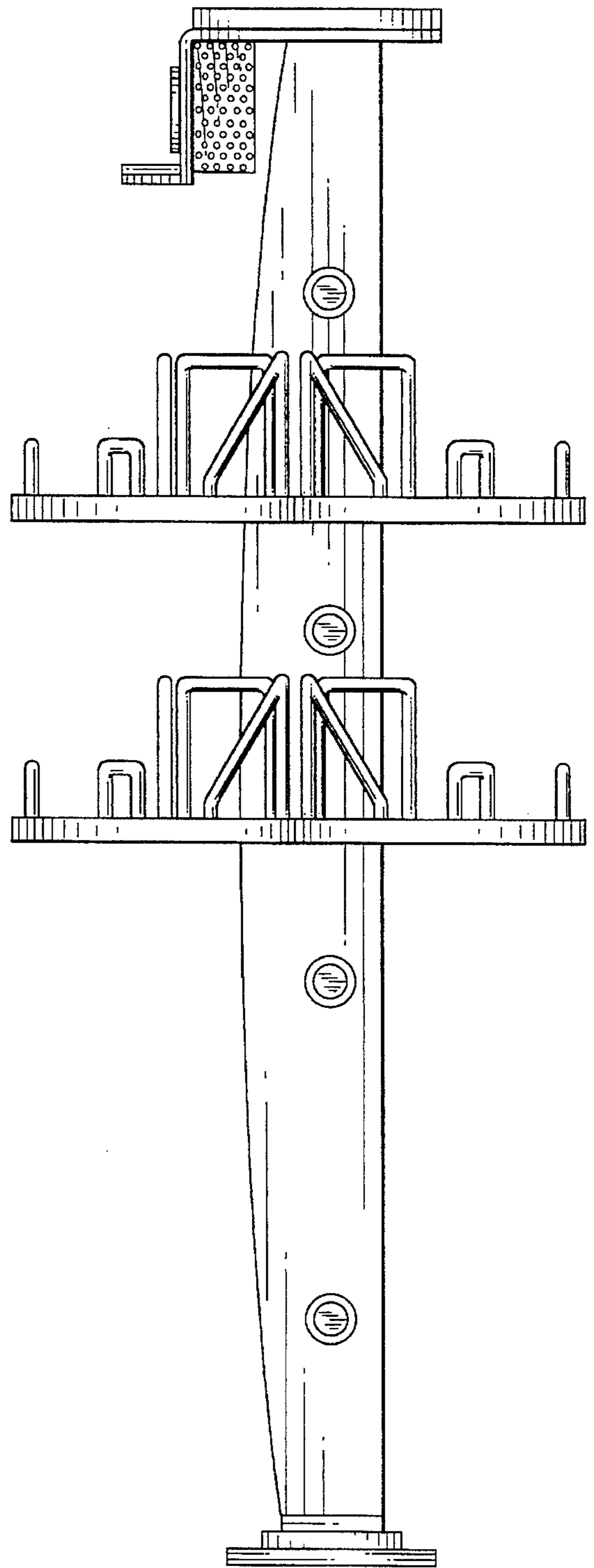


Fig. 5

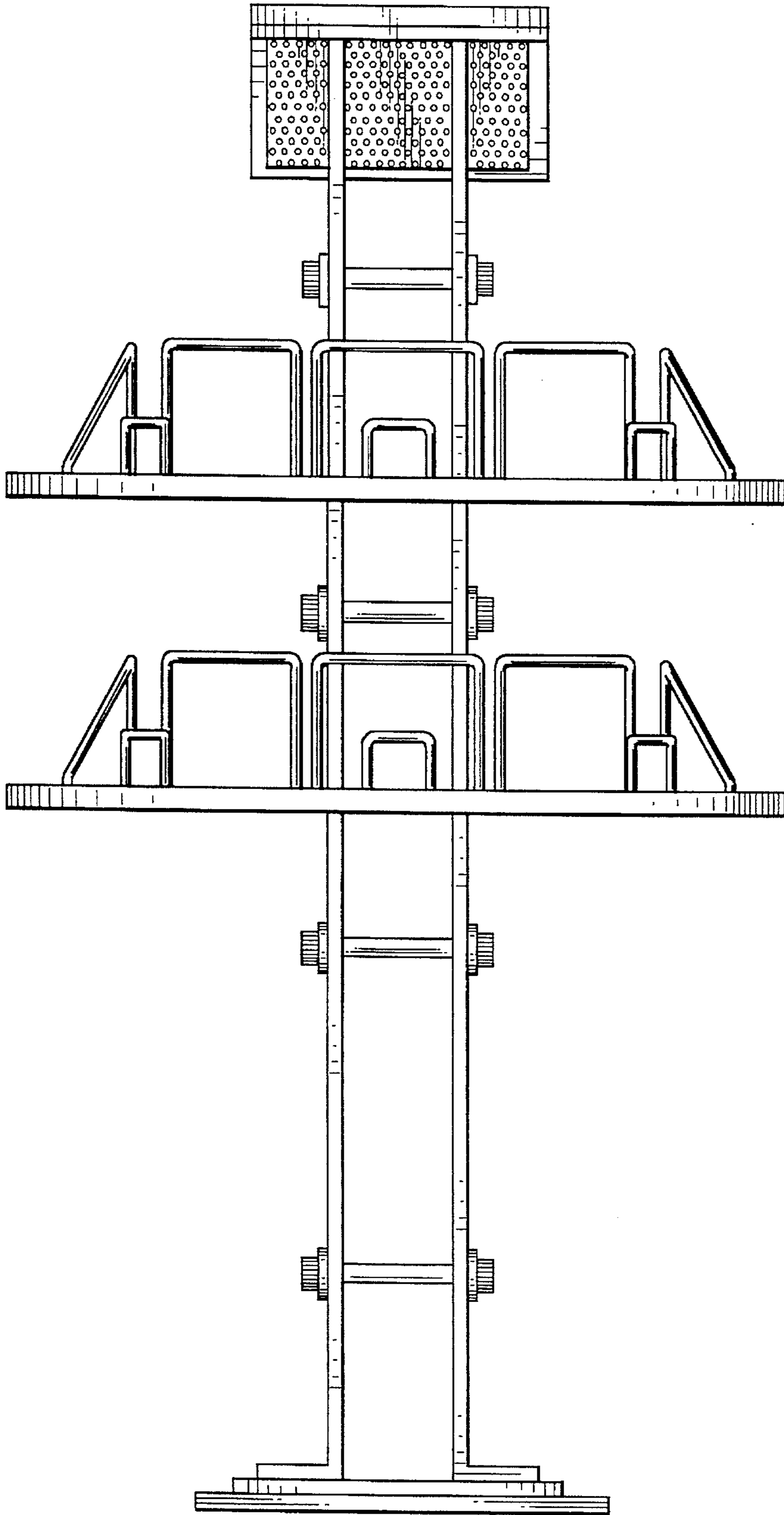


Fig. 6