



US00D369030S

United States Patent [19]

[11] **Patent Number: Des. 369,030**

Lechleiter et al.

[45] **Date of Patent: **Apr. 23, 1996**

[54] **CENTER AREA DISPLAY**

D. 331,077 11/1992 Foster D20/10

[75] Inventors: **Paul R. Lechleiter, Powell; Mark B. Artus, Beechwold, both of Ohio**

D. 355,989 3/1995 Raynor D6/421

3,980,361 9/1976 Shaw et al. 312/140.1 X

[73] Assignee: **Blockbuster Entertainment Corporation, Ft. Lauderdale, Fla.**

Primary Examiner—Alan P. Douglas

Assistant Examiner—S. Snapp

Attorney, Agent, or Firm—Akin, Gump, Strauss, Hauer & Feld

[**] Term: **14 Years**

[57] **CLAIM**

[21] Appl. No.: **31,799**

The ornamental design for a center area display, as shown and described.

[22] Filed: **Dec. 6, 1994**

[52] U.S. Cl. **D6/396**

DESCRIPTION

[58] **Field of Search** D6/396, 399, 421, D6/449, 450, 451, 466-469, 473-476; D20/10, 18, 19, 29, 34, 40, 41; 248/129; 312/7.2, 9.1, 114

FIG. 1 is a perspective view of a center area display showing our new design;

FIG. 2 is a front elevational view thereof;

FIG. 3 is a top plan view thereof;

FIG. 4 is a right side elevational view thereof;

FIG. 5 is a left side elevational view thereof;

FIG. 6 is a rear elevational view thereof; and,

FIG. 7 is a bottom plan view thereof.

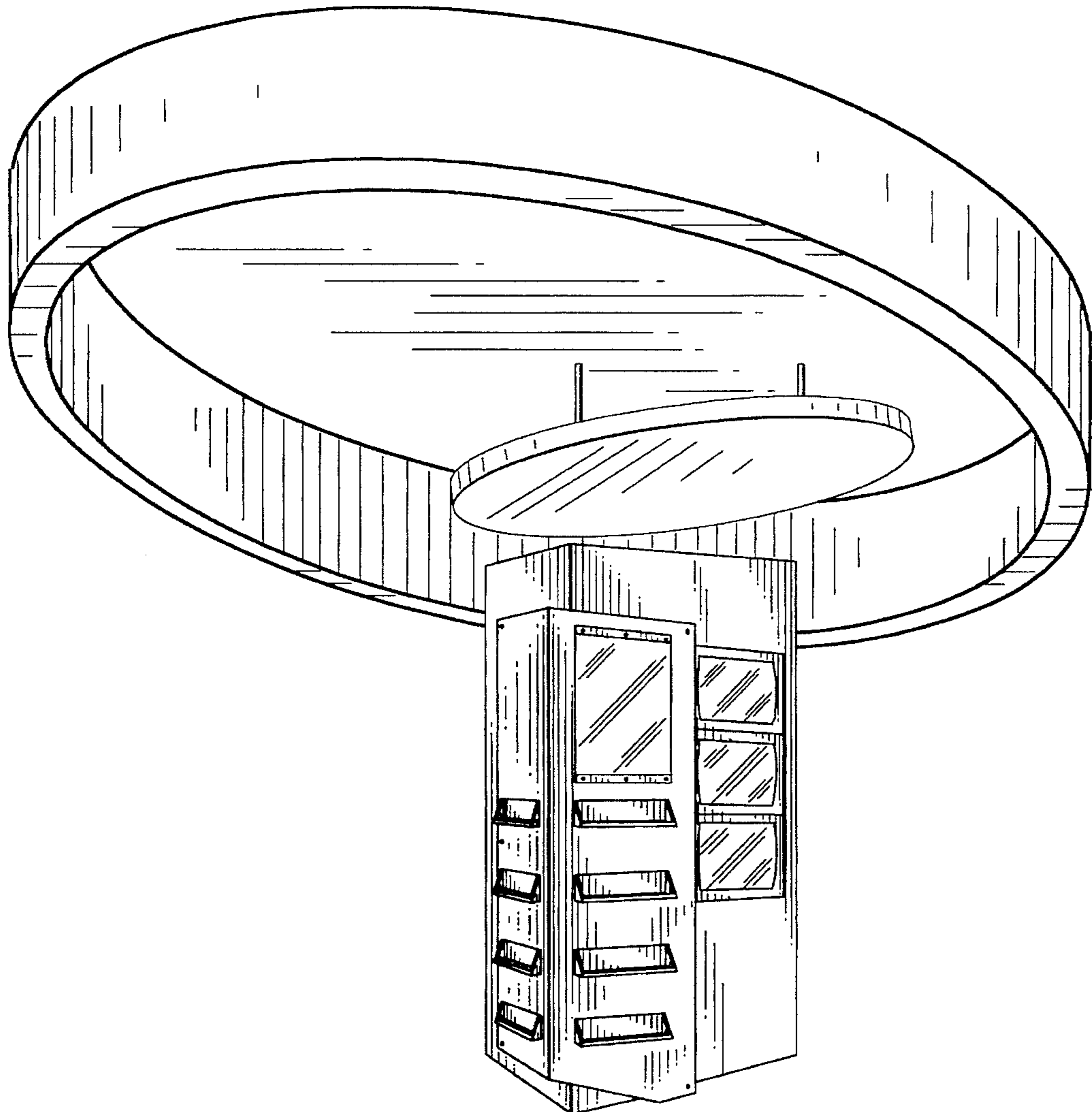
[56] **References Cited**

U.S. PATENT DOCUMENTS

D. 202,615 10/1965 Dreyfuss et al. D6/421

D. 273,637 5/1984 Benedetti et al. D6/421

1 Claim, 7 Drawing Sheets



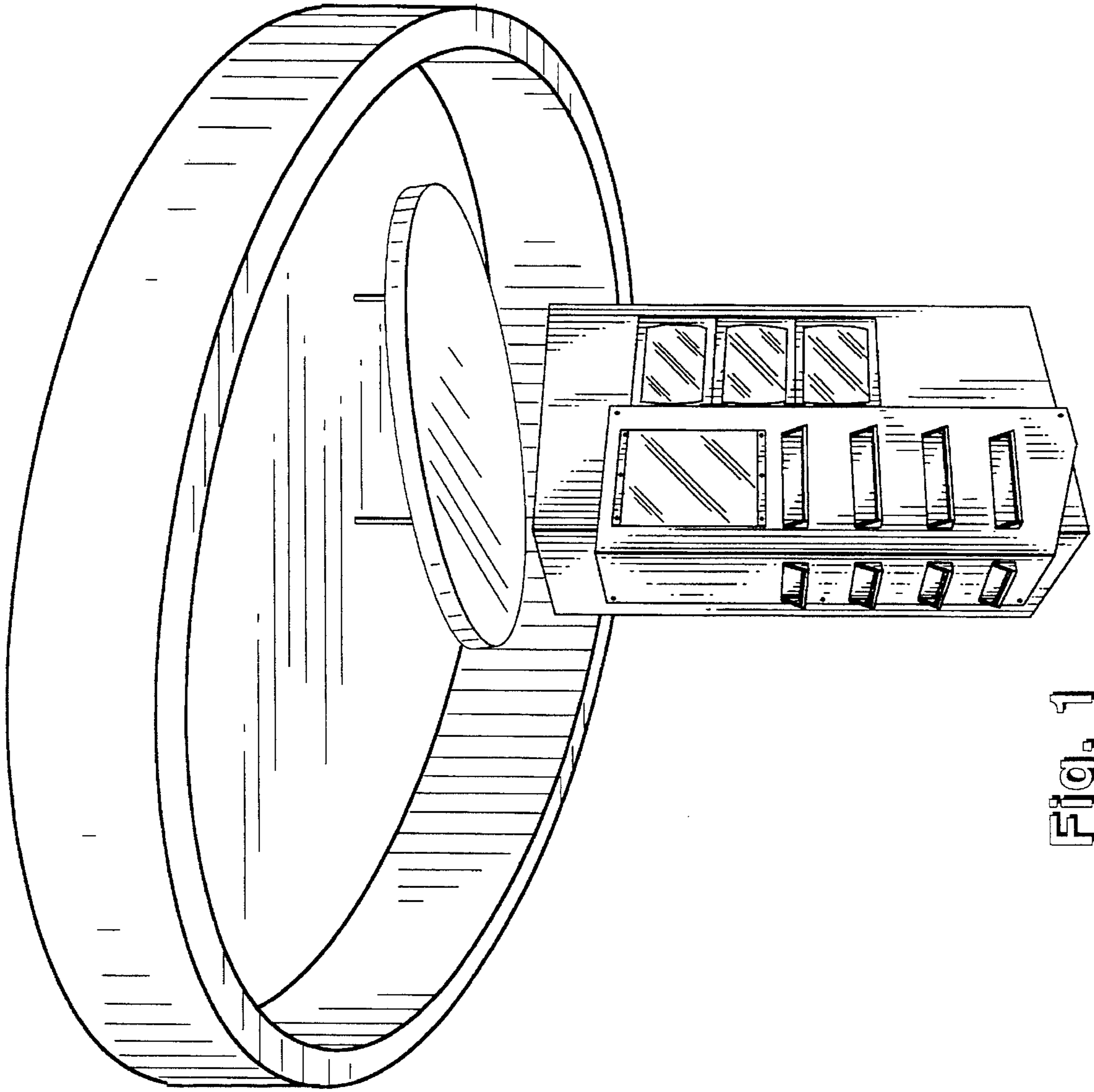


Fig. 1

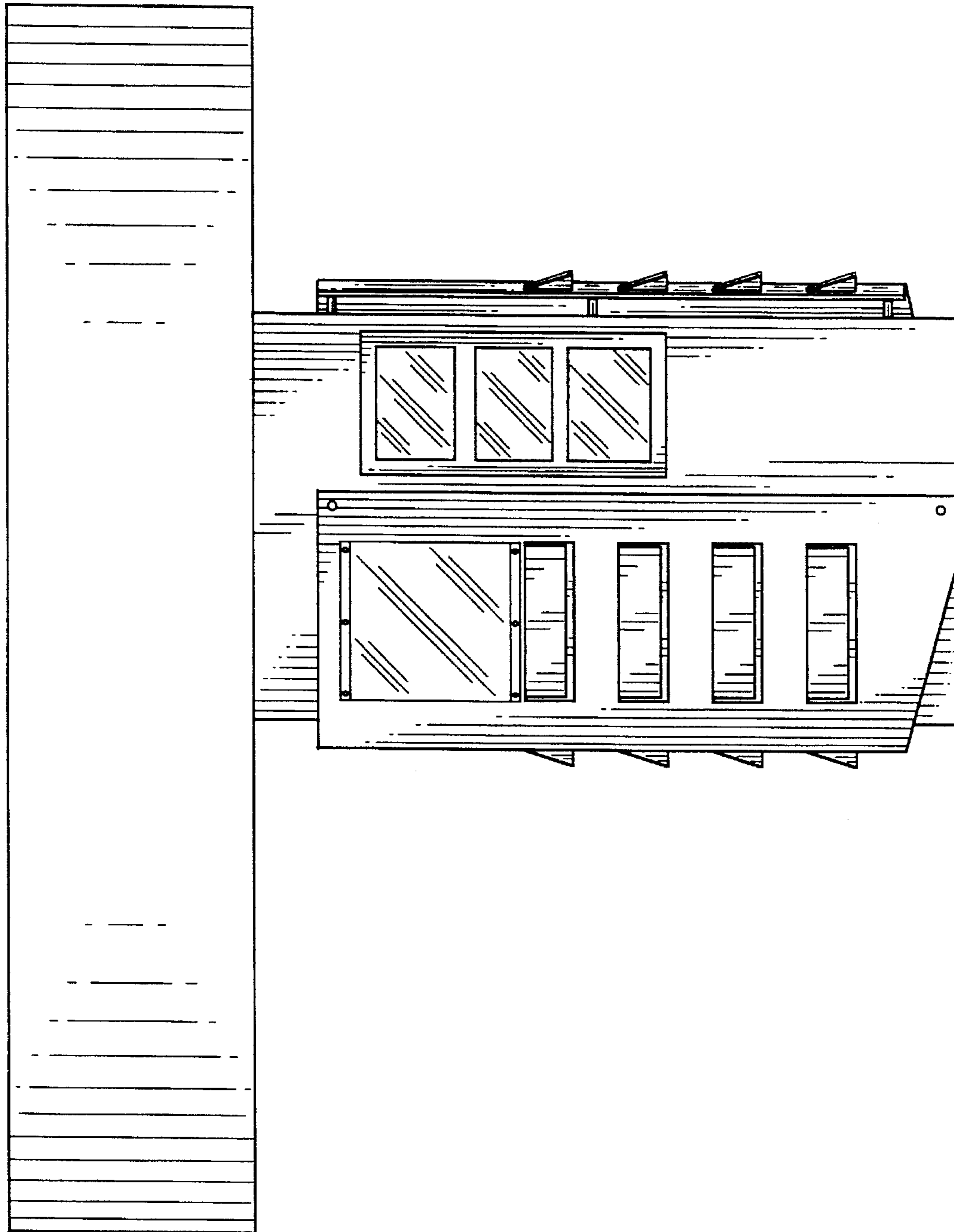


Fig. 2

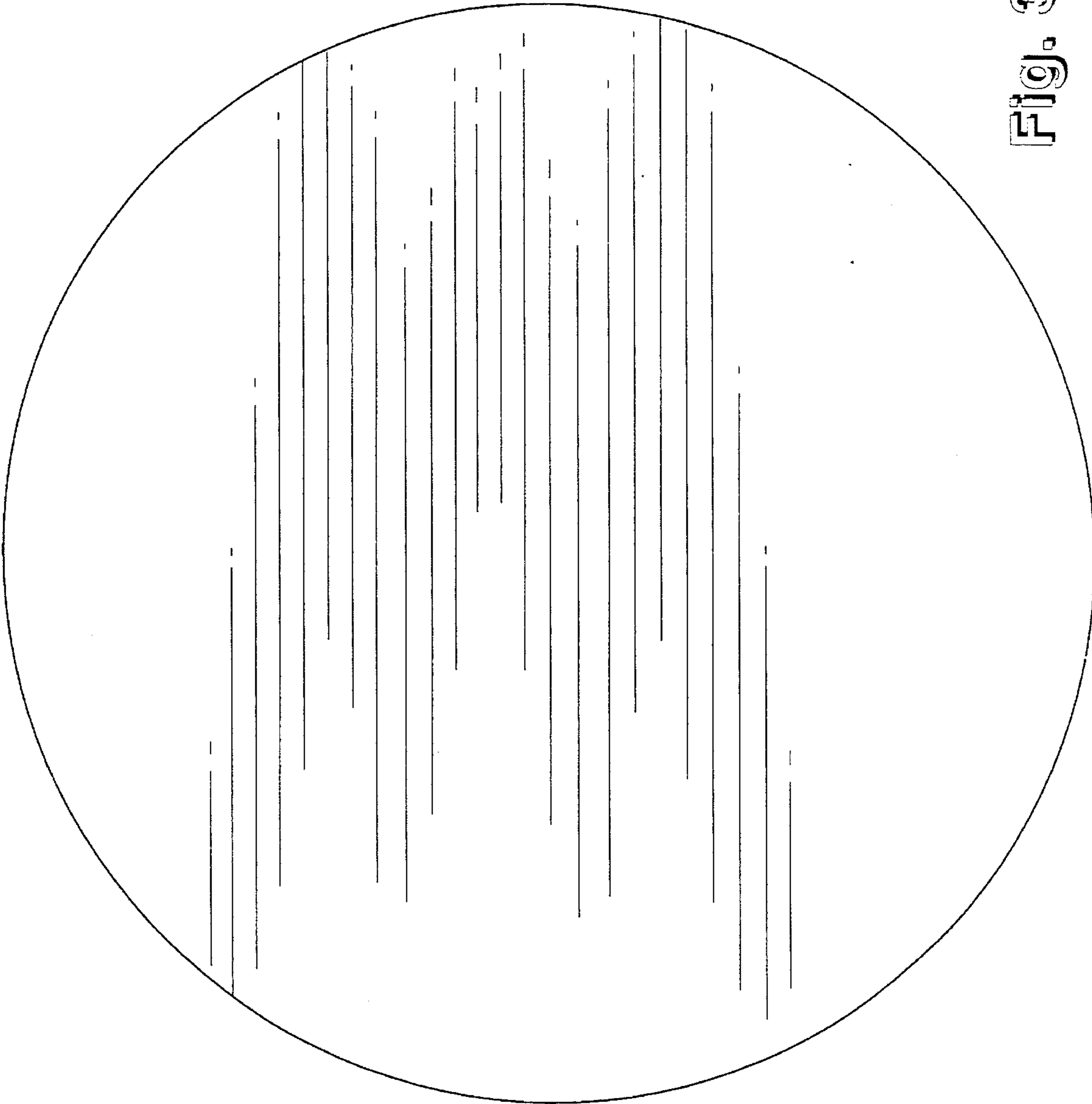


Fig. 3

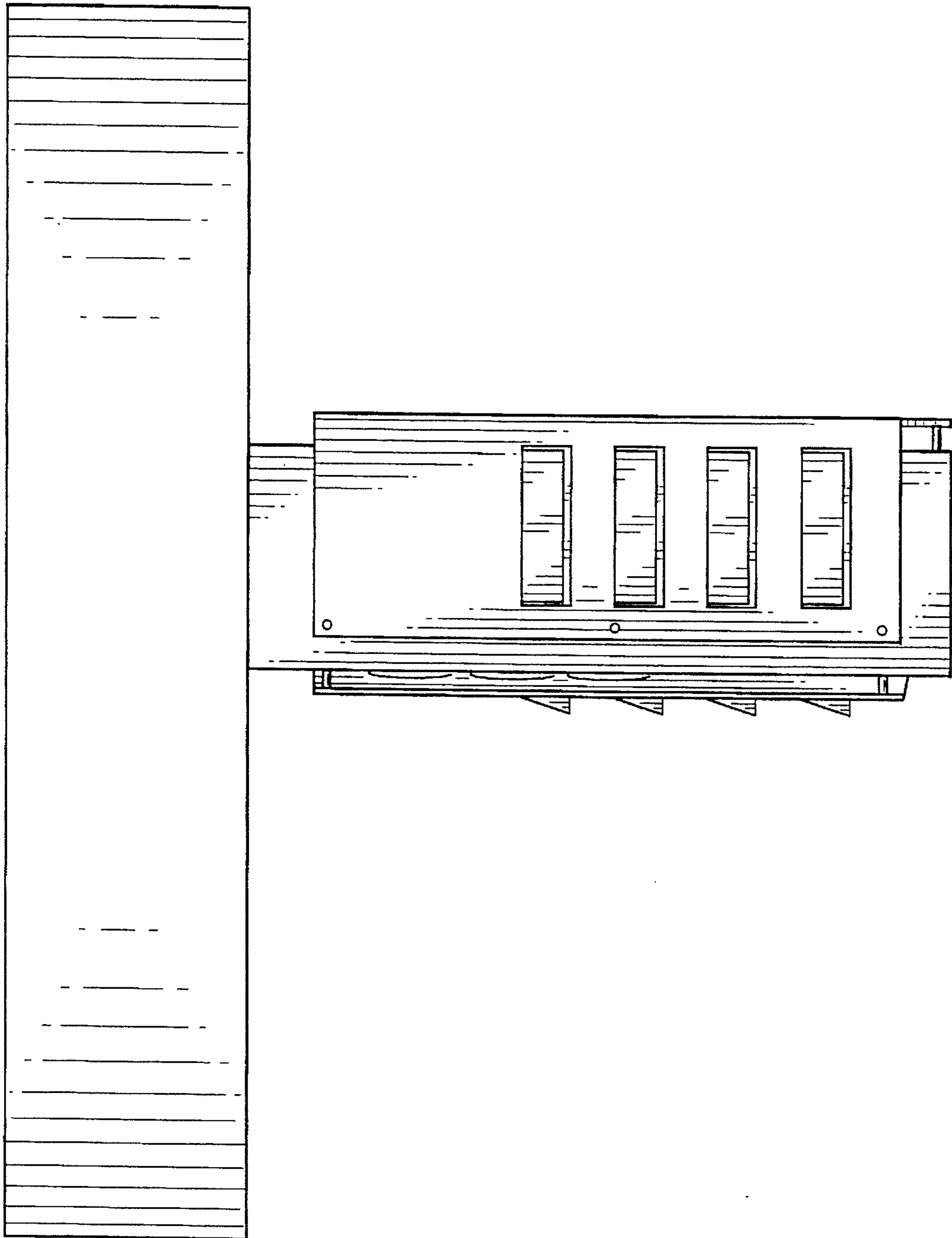


Fig. 4

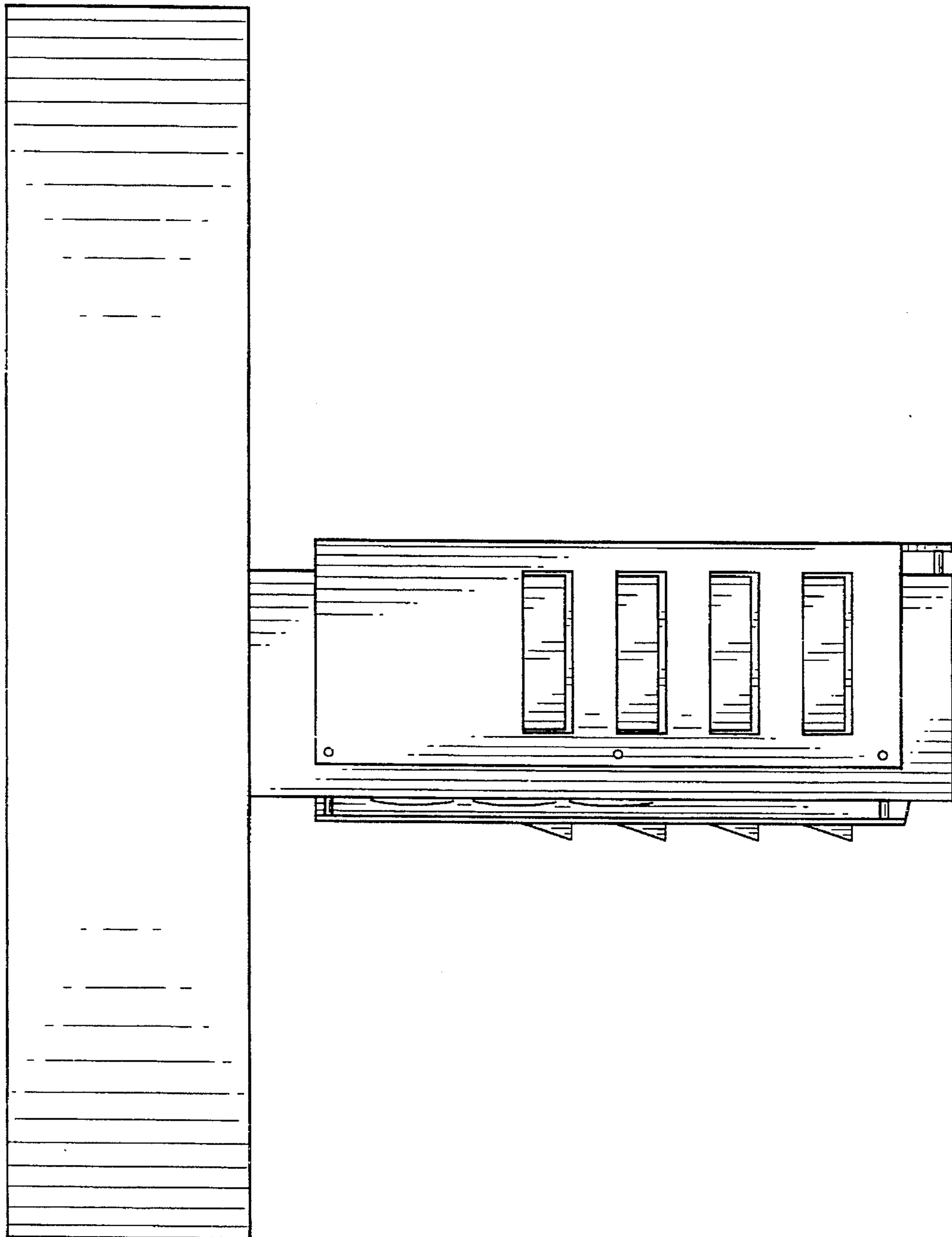


Fig. 5

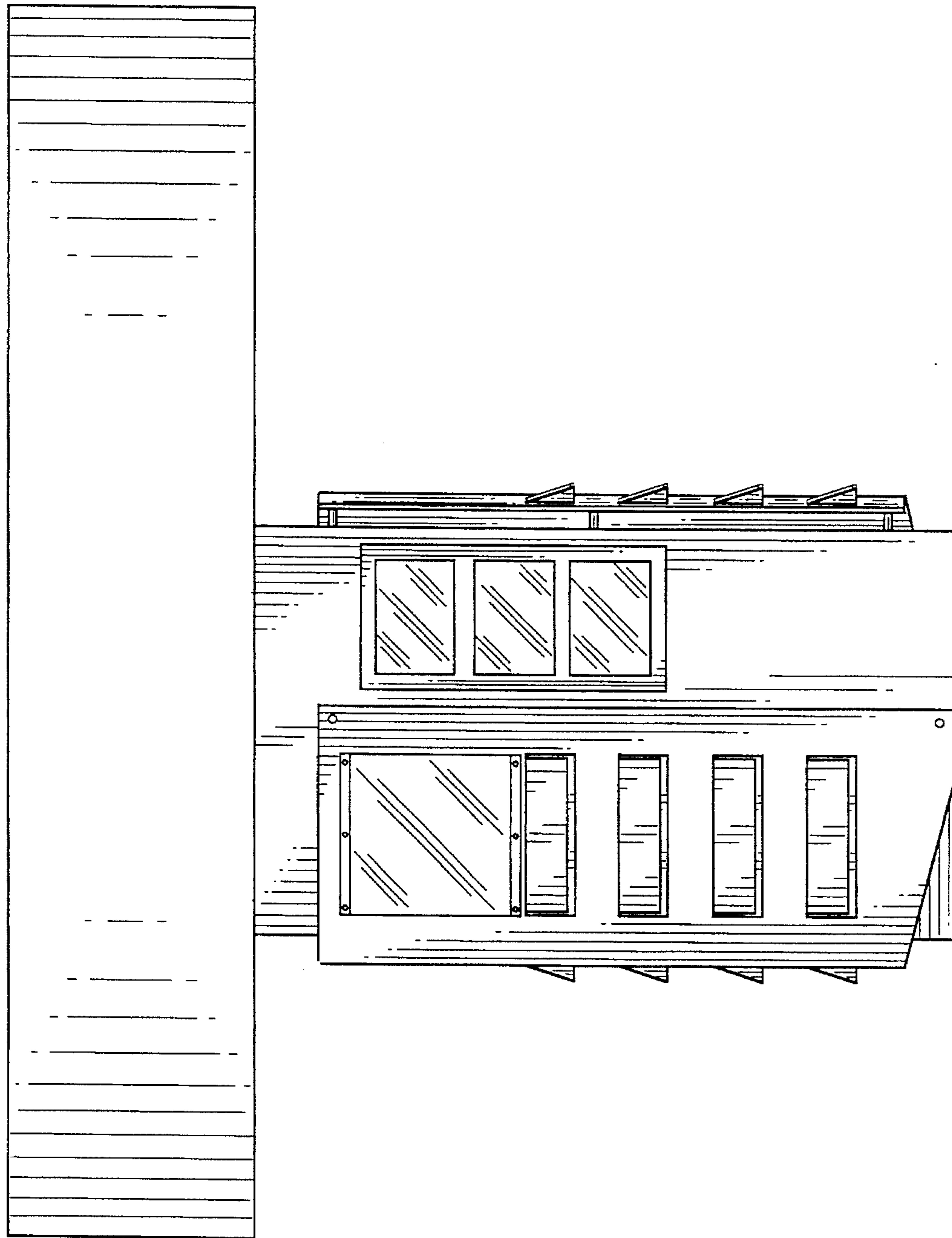


Fig. 6

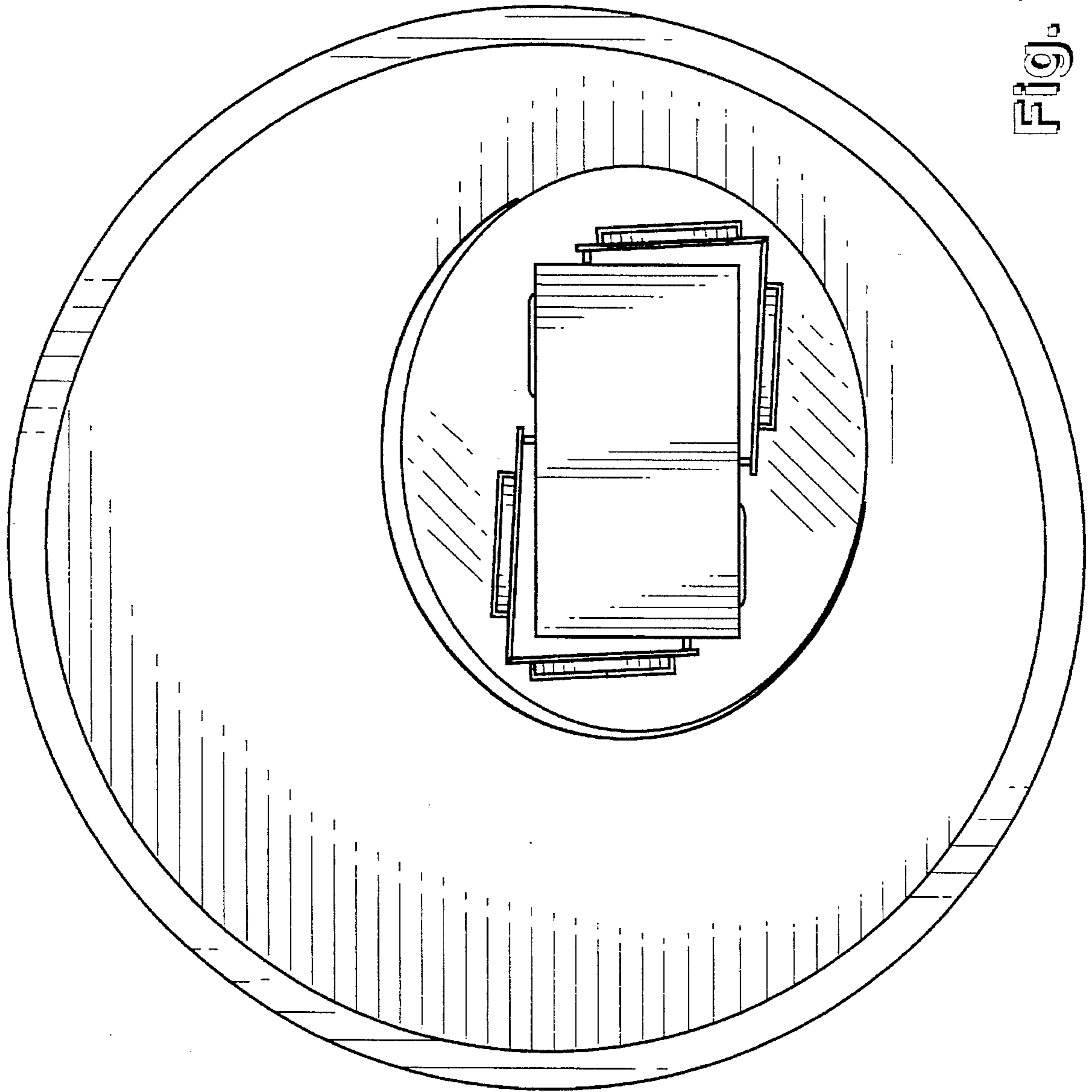


Fig. 7