



US00D369027S

United States Patent [19]

Zigelboim et al.

[11] Patent Number: **Des. 369,027**

[45] Date of Patent: ****Apr. 23, 1996**

[54] PAINT ROLLER FRAME

4,325,157 4/1982 Balint et al. 15/144 B
5,263,748 11/1993 Carstensen 285/333

[76] Inventors: **Ilan Zigelboim; Virginia B. Hagan,**
both of 4955 NW. 82nd Ter., Lauderhill,
Fla. 33351

FOREIGN PATENT DOCUMENTS

525941 7/1956 Belgium .
823204 11/1959 United Kingdom 15/230.11

[**] Term: **14 Years**

Primary Examiner—Nelson C. Holtje
Assistant Examiner—Stacia Sinuik
Attorney, Agent, or Firm—Richard C. Litman

[21] Appl. No.: **37,008**

[22] Filed: **Apr. 3, 1995**

[52] U.S. Cl. **D4/122; D4/199**

[57] CLAIM

[58] **Field of Search** D4/122, 123, 199;
15/230.11, 229.2, 229.5, 146, 147.1, 244.1,
244.2; D32/35, 40, 50-52

The ornamental design for a paint roller frame, as shown and described.

DESCRIPTION

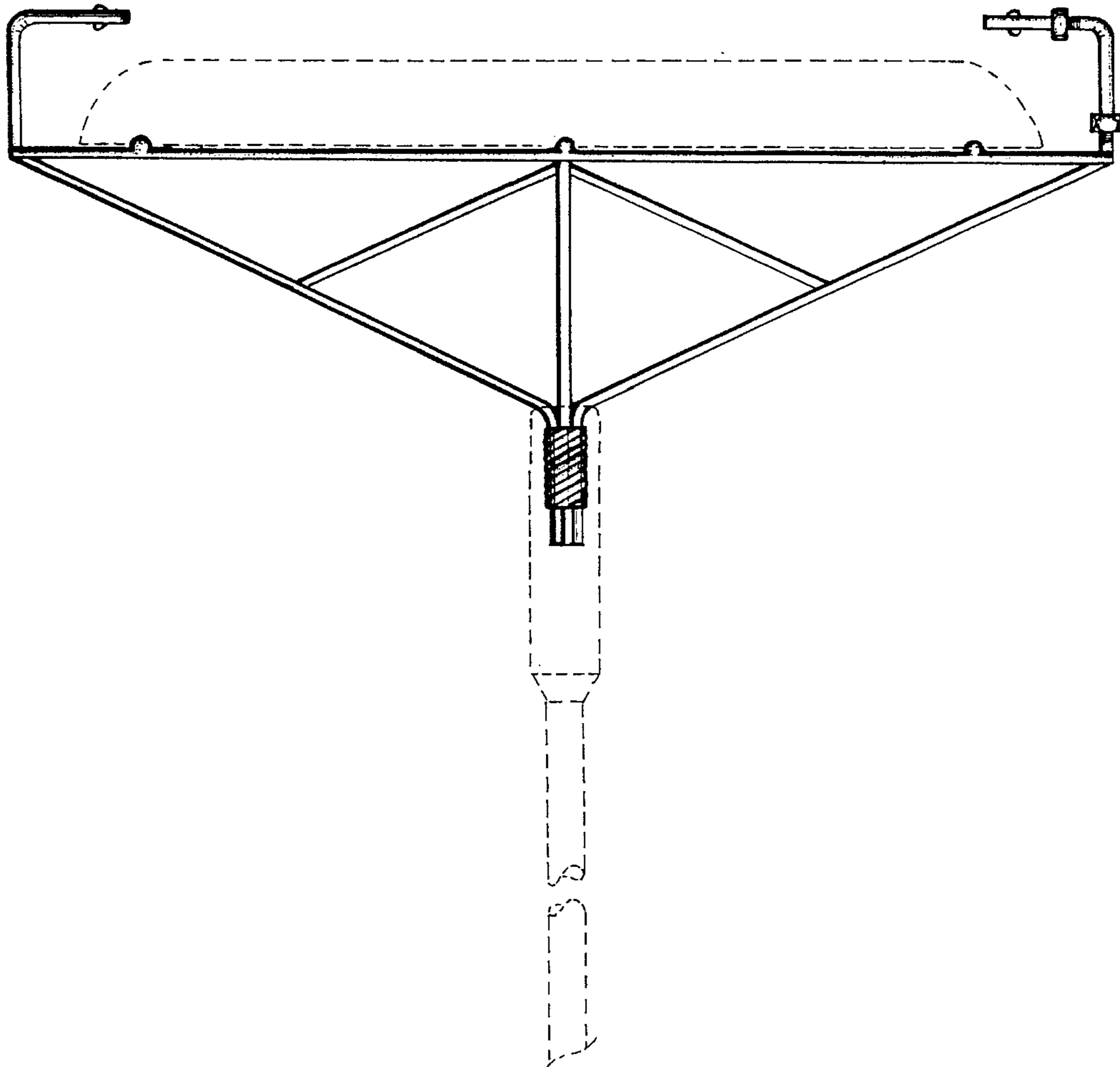
[56] References Cited

U.S. PATENT DOCUMENTS

D. 293,860	1/1988	Smith	D4/122
2,684,497	7/1954	Graham	15/132.5
2,735,128	2/1956	Adams	15/230
2,867,832	1/1959	Hanninen	15/244.2
3,246,357	4/1966	Ammons	15/230.11
3,386,124	6/1968	Feine	15/230.11
3,592,239	7/1971	Adler	138/155
3,604,046	9/1971	Taylor	15/230.11
3,866,257	2/1975	Cansdale, Sr.	15/230.11

FIG. 1 is a front elevational view thereof;
FIG. 2 is a rear elevational view thereof;
FIG. 3 is a bottom view thereof;
FIG. 4 is a top view thereof;
FIG. 5 is an inverted, left side elevational view thereof; and,
FIG. 6 is an inverted, right side elevational view thereof.
The broken line showing of a paint shield and a handle is for illustrative purposes only and forms no part of the claimed design.

1 Claim, 4 Drawing Sheets



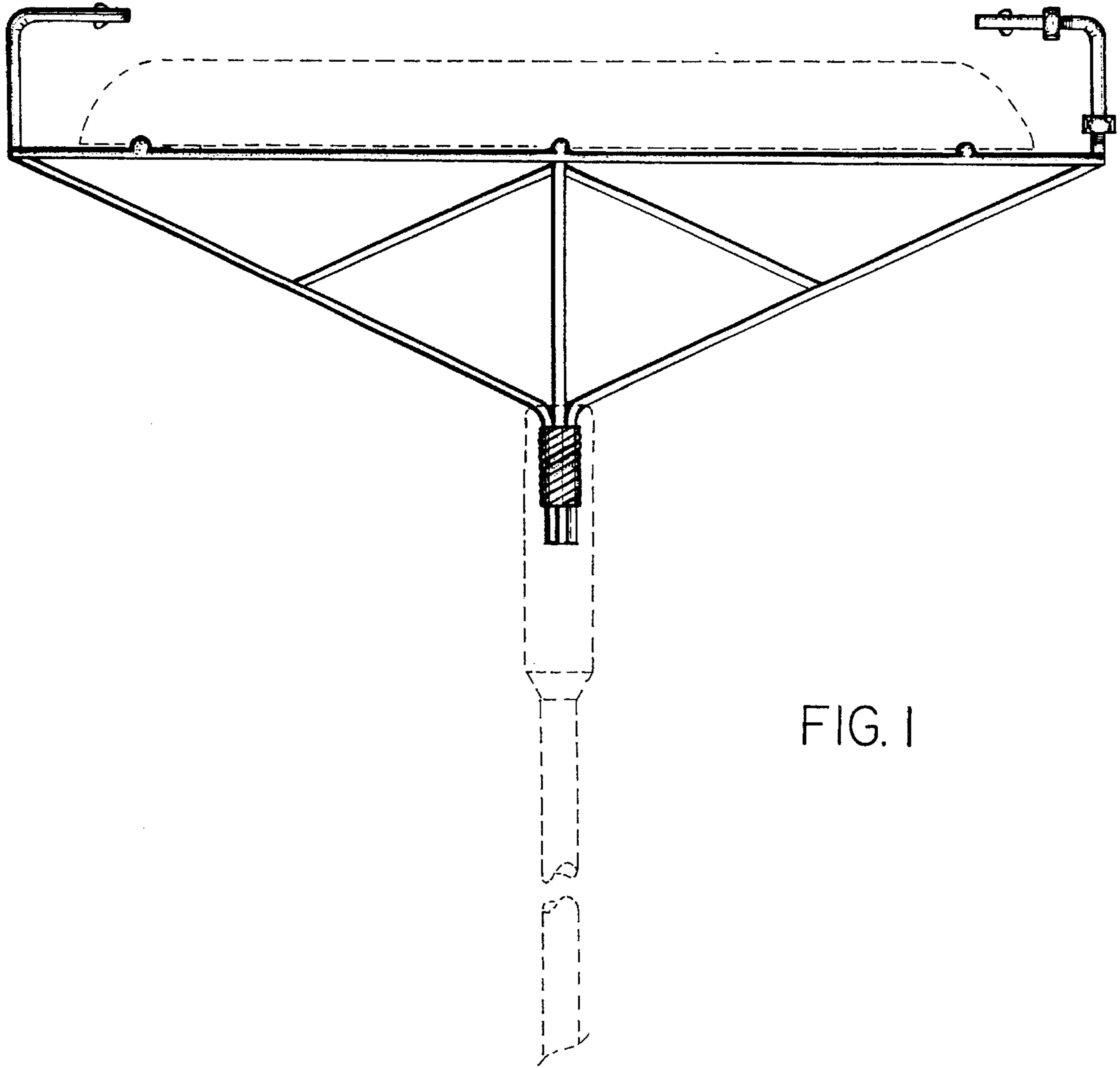


FIG. 1

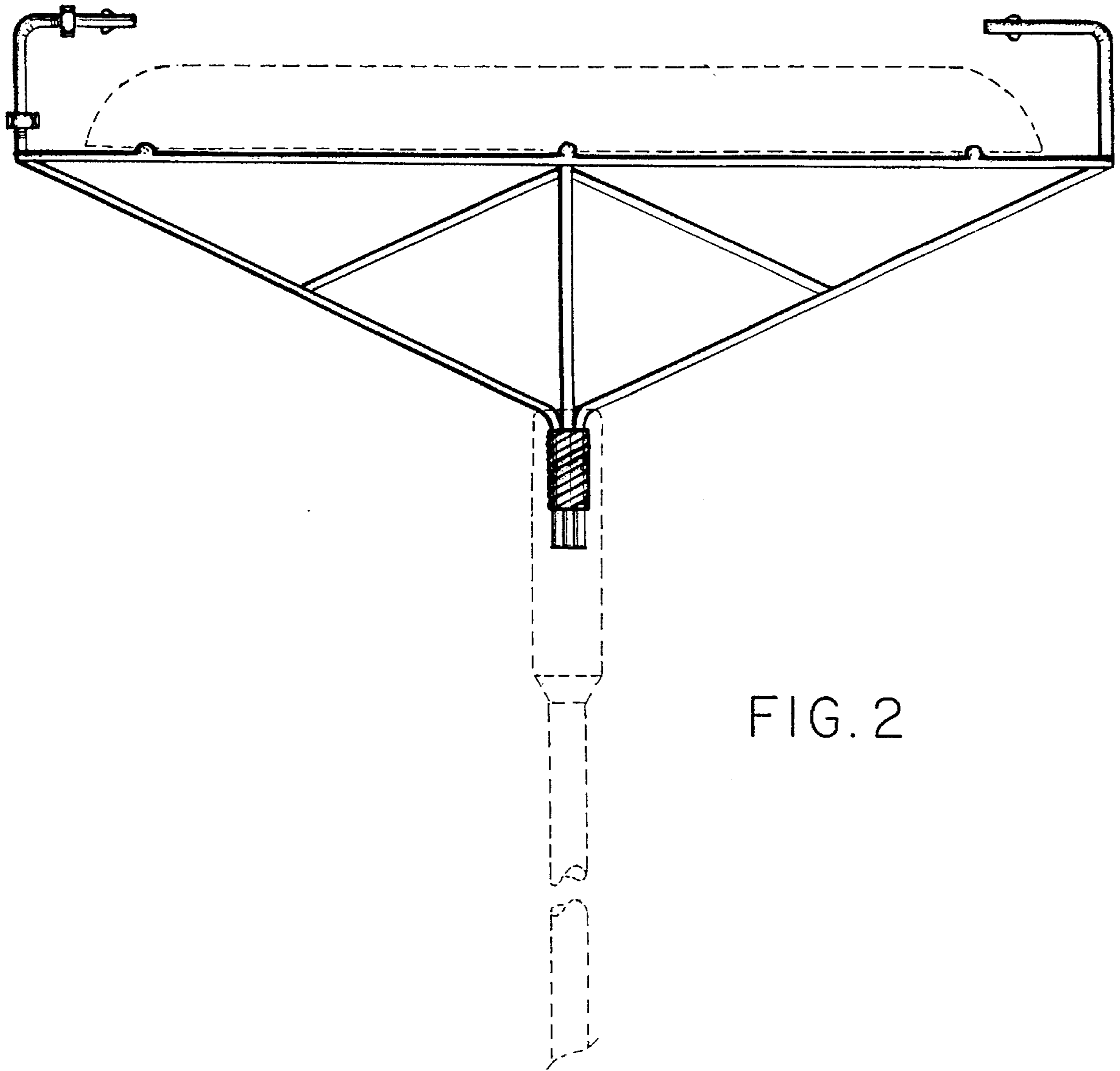


FIG. 2

FIG. 3

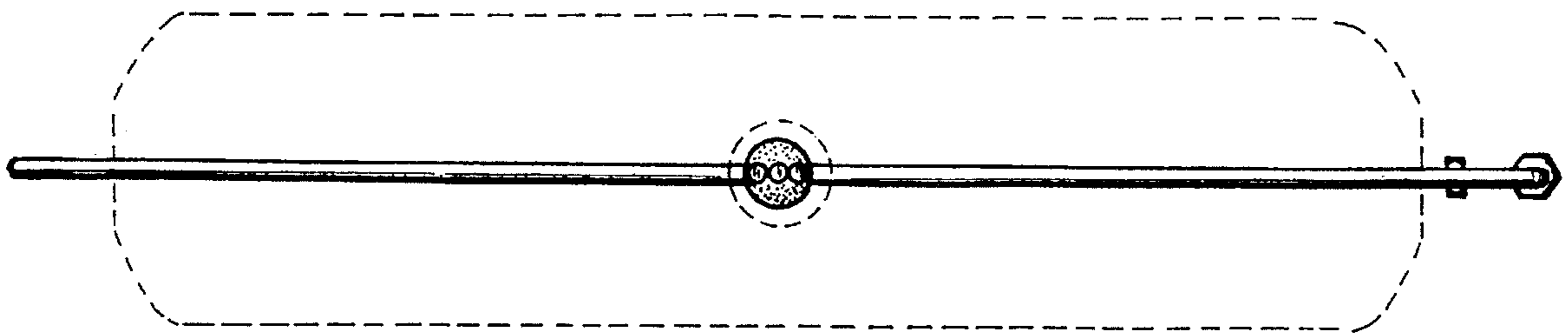
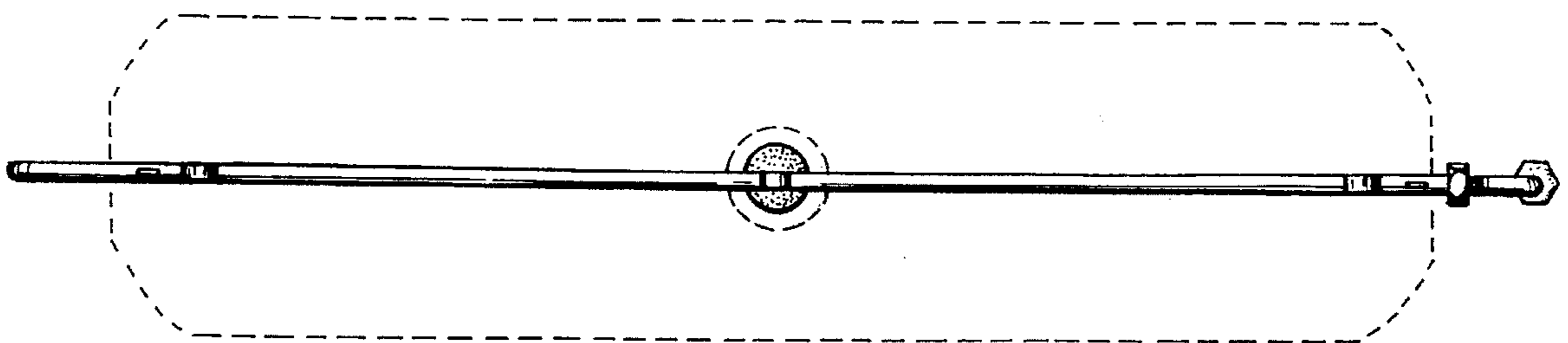


FIG. 4



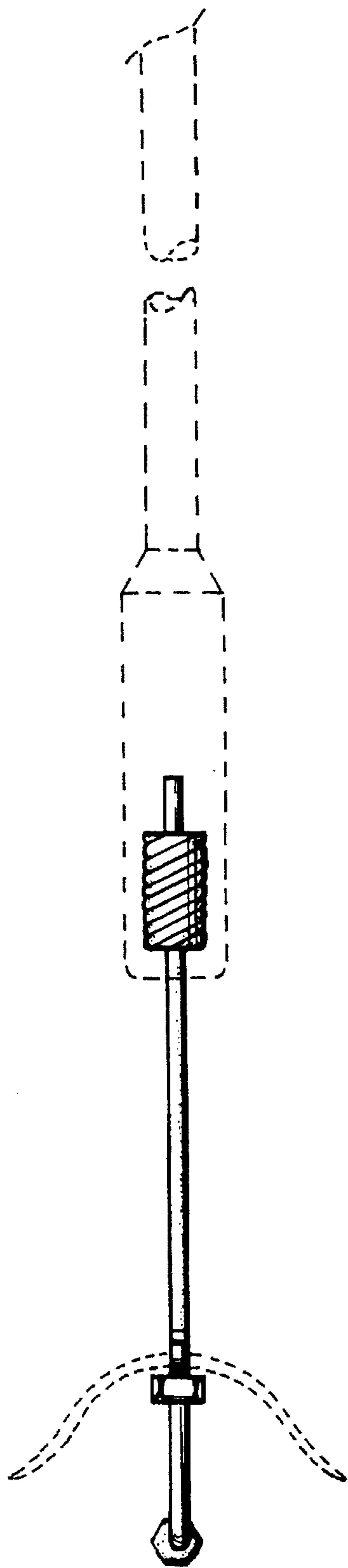


FIG. 6

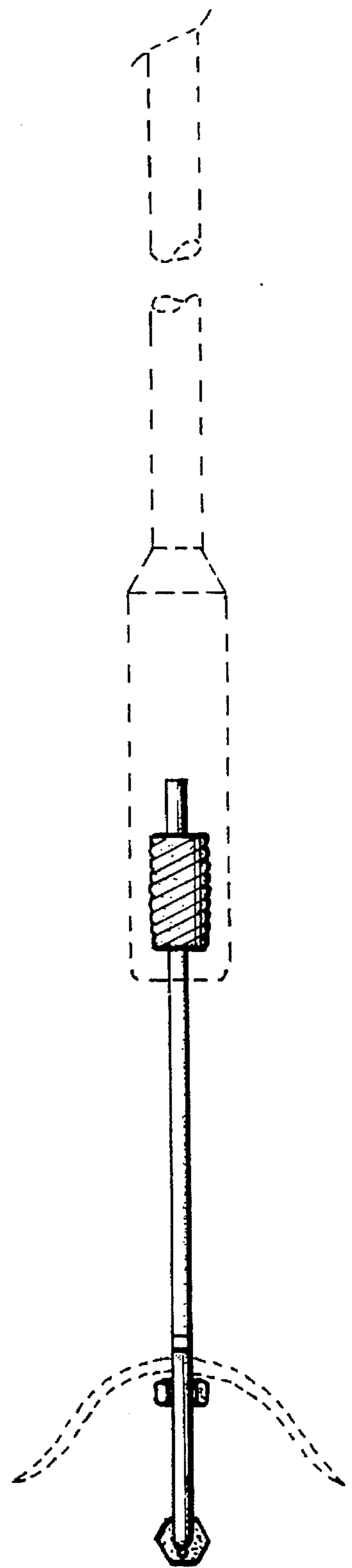


FIG. 5