



US00D369018S

United States Patent [19]

[11] Patent Number: **Des. 369,018**

Brooks et al.

[45] Date of Patent: ****Apr. 23, 1996**

[54] **SHOE UPPER**

D. 267,675 1/1983 Allen D2/909

[75] Inventors: **Mike Brooks**, Nelsonville; **Edgar H. Simpson**; **Theodore A. Kastner**, both of Lancaster; **Diana A. Wurfbain**, Athens, all of Ohio

OTHER PUBLICATIONS

Hood Rubber Co. Cat. 1948—Oct. 29, 1948—pp. 12, 13, & 17—“Rubashu,” Rubashu Storm & Overshoe.
Cabela’s Cat.—Fall 1985.—Jul. 12, 1986—p. 42—Shoes at bottom—rt. “E & D”.

[73] Assignee: **Rocky Shoes & Boots, Inc.**, Nelsonville, Ohio

Primary Examiner—Nelson C. Holtje
Attorney, Agent, or Firm—Porter, Wright, Morris & Arthur

[**] Term: **14 Years**

[57] CLAIM

[21] Appl. No.: **35,559**

The ornamental design for a shoe upper, as shown and described.

[22] Filed: **Mar. 2, 1995**

[52] U.S. Cl. **D2/969**; D2/909

DESCRIPTION

[58] Field of Search D2/909, 910, 969; 36/4

FIG. 1 is a right side elevational view of a shoe upper showing our new design;

[56] References Cited

U.S. PATENT DOCUMENTS

D. 7,634	8/1874	Bickford	D2/909
D. 14,774	2/1884	Preston	D2/909
	31,730	3/1861	Meyer 36/4
D. 35,348	11/1901	Mason	D2/909 X
D. 47,933	10/1915	Payne	D2/909
D. 79,289	8/1929	Ferrettie	D2/909
D. 127,994	7/1941	Hard	D2/910

FIG. 2 is a left side elevational view thereof;

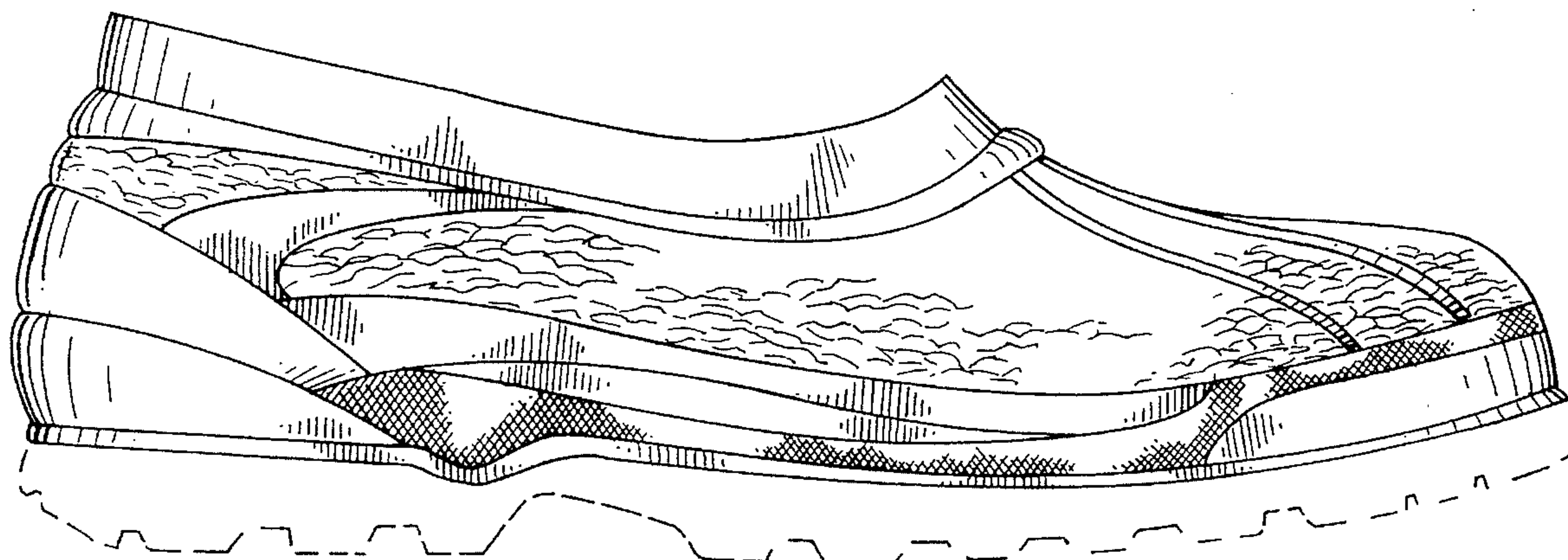
FIG. 3 is a rear elevational view thereof;

FIG. 4 is a front elevational view thereof; and,

FIG. 5 is a top plan view thereof.

The broken line showing of a shoe sole in the figures is for illustrative purposes only and forms no part of the claimed design.

1 Claim, 4 Drawing Sheets



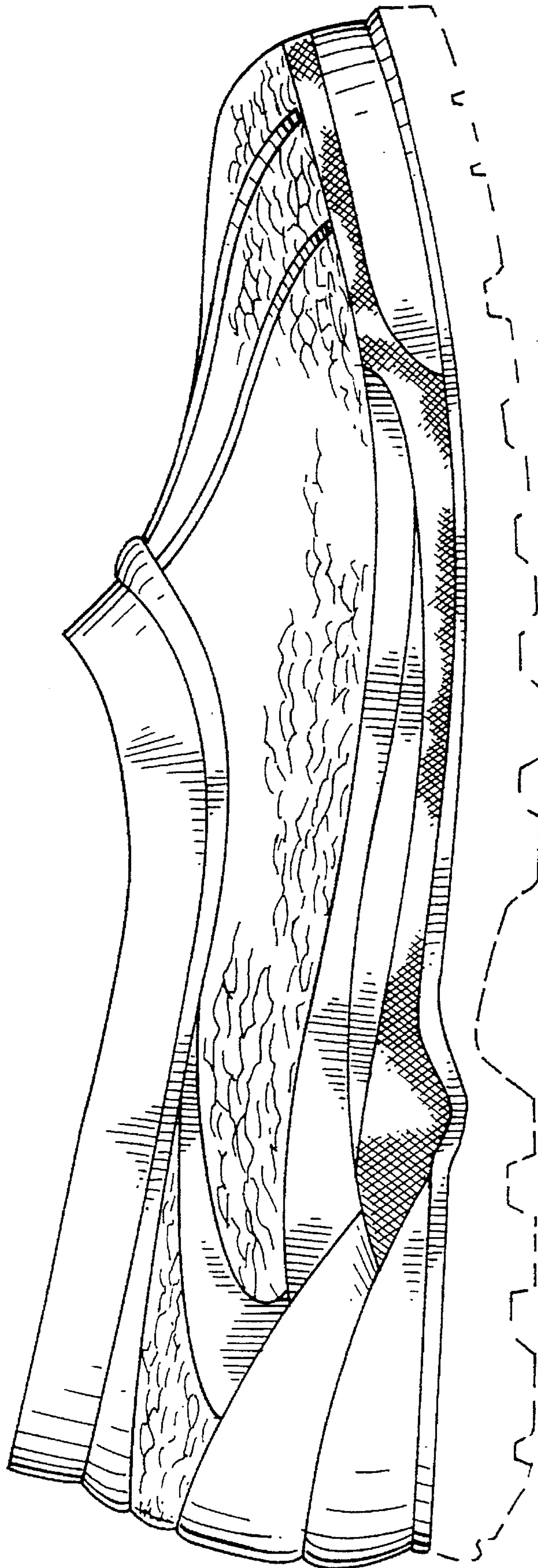


FIG. 1

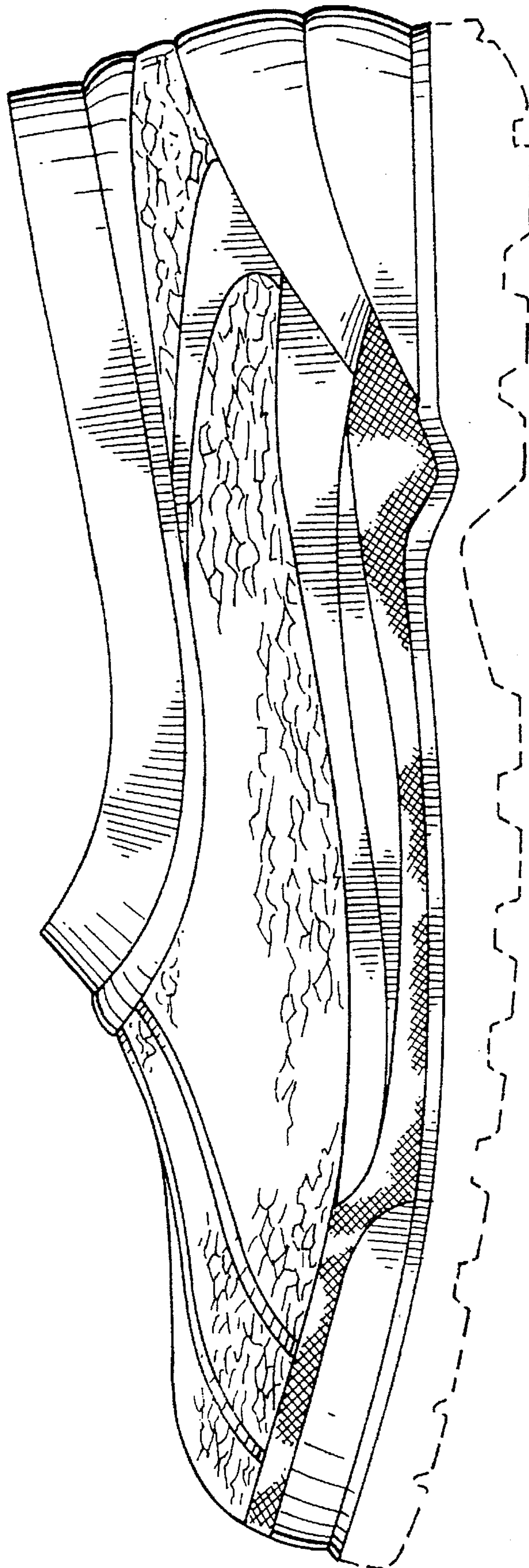


FIG. 2

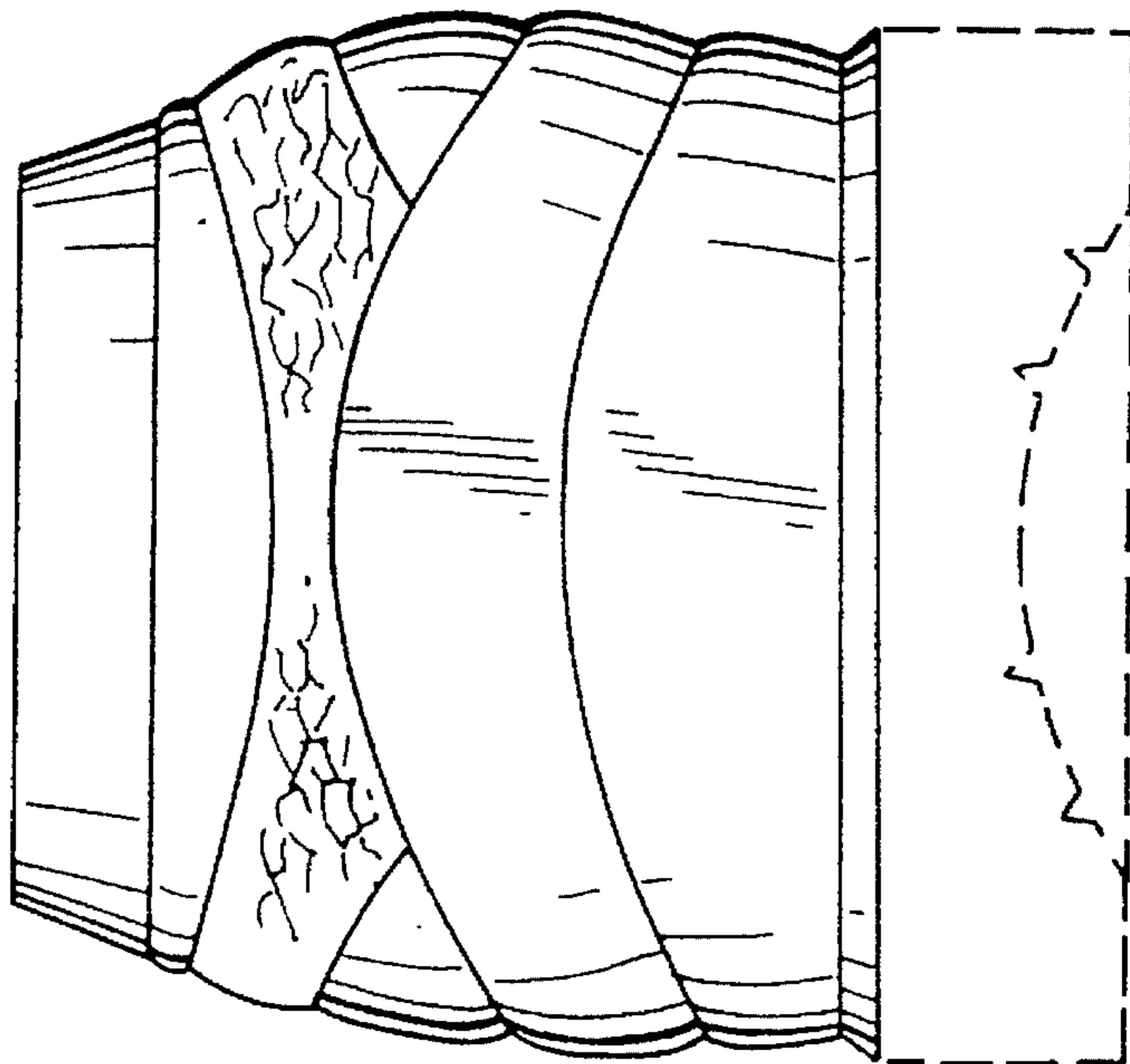


FIG. 3

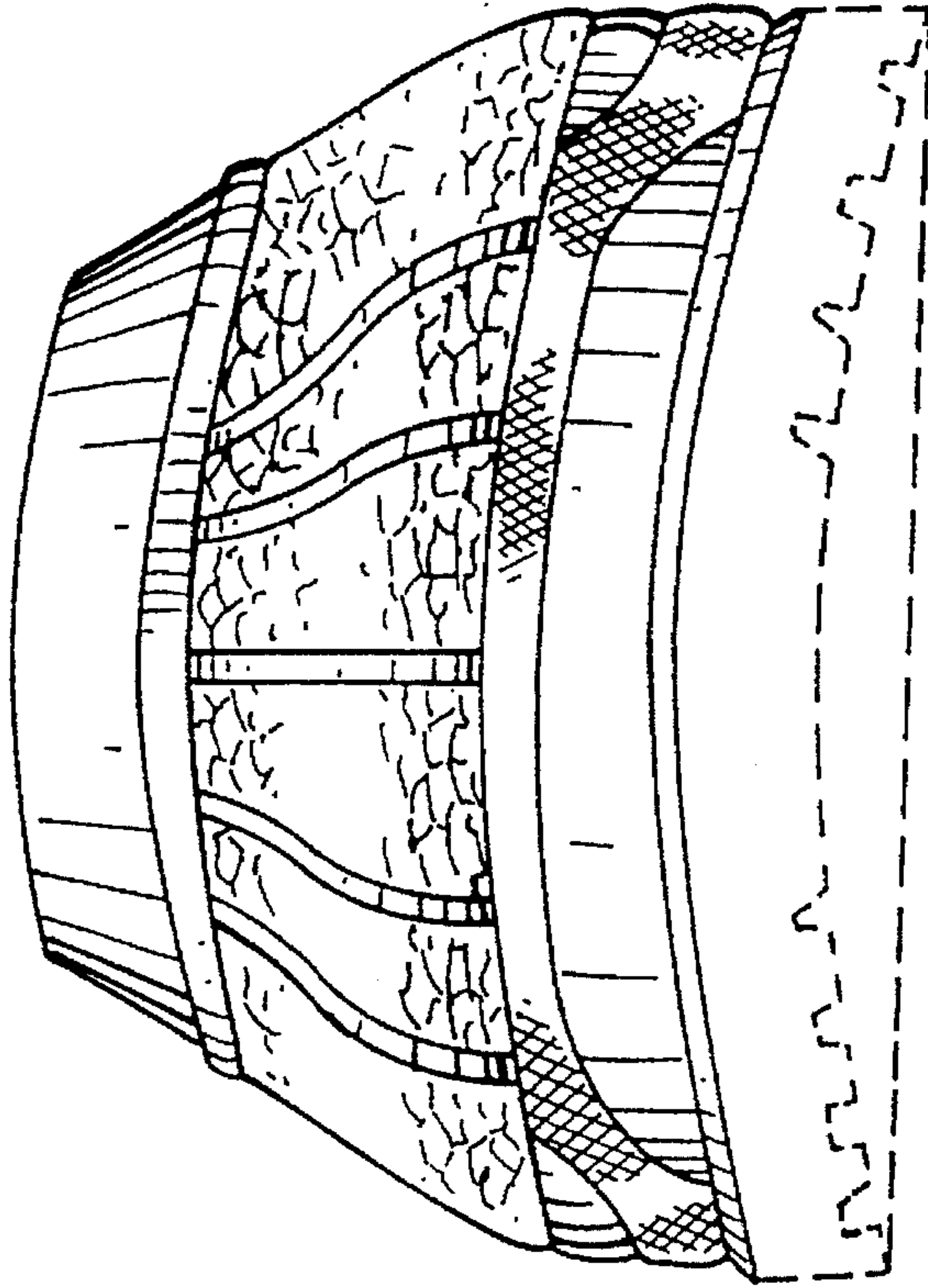


FIG. 4

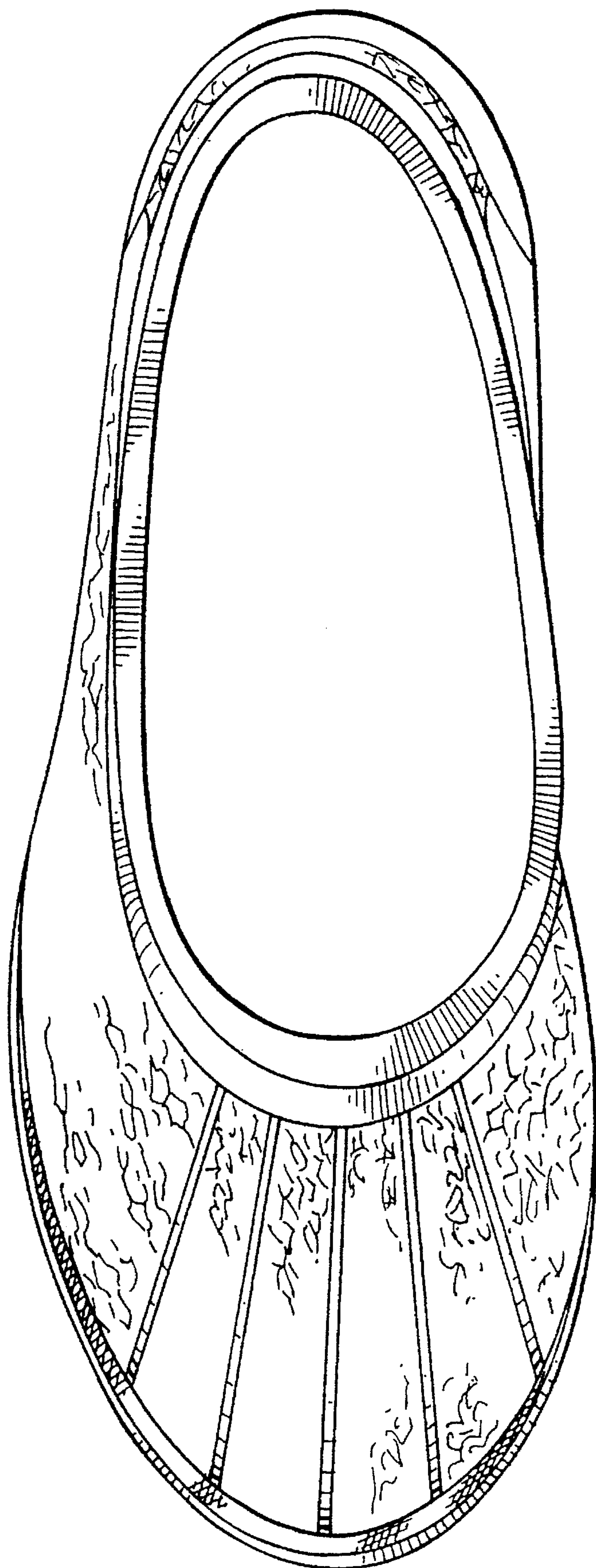


FIG. 5