



US00D369008S

United States Patent [19] Campbell

[11] Patent Number: **Des. 369,008**

[45] Date of Patent: ****Apr. 16, 1996**

[54] **MOBILE CART BODY**

[76] Inventor: **Craig Campbell**, 90 Wilson Ave.,
Englishtown, N.J. 07726

[**] Term: **14 Years**

[21] Appl. No.: **24,575**

[22] Filed: **Jun. 15, 1994**

[52] U.S. Cl. **D34/20; D34/19**

[58] Field of Search **D34/12-27; 280/79.2;**
312/250; D7/307, 308, 305, 306; D6/441,
445, 446

3,874,531 4/1975 Mayo .
4,475,322 10/1984 Russo et al. 312/209
4,724,681 2/1988 Bartholomew et al. .
4,886,286 12/1989 Whorton, III .
4,989,291 2/1991 Parent .

Primary Examiner—Kay H. Chin
Attorney, Agent, or Firm—Pollock, Vande Sande & Priddy

[57] CLAIM

The ornamental design for a mobile cart body, as shown and described.

DESCRIPTION

FIG. 1 is a right rear perspective view of a mobile cart body without a dispensing module, showing my new design, the broken lines are for illustrative purposes only and form no part of the claimed design;

FIG. 2 is a right front perspective view thereof, including a dispensing module;

FIG. 3 is a right rear perspective view of a second embodiment of the mobile cart body without dispensing module;

FIG. 4 is a right front perspective view of FIG. 3 including a dispensing module;

FIG. 5 is a right rear perspective view of a third embodiment of the mobile cart body including a dispensing module but not including a side panel or end panel; and,

FIG. 6 is a top plan view of FIG. 5.

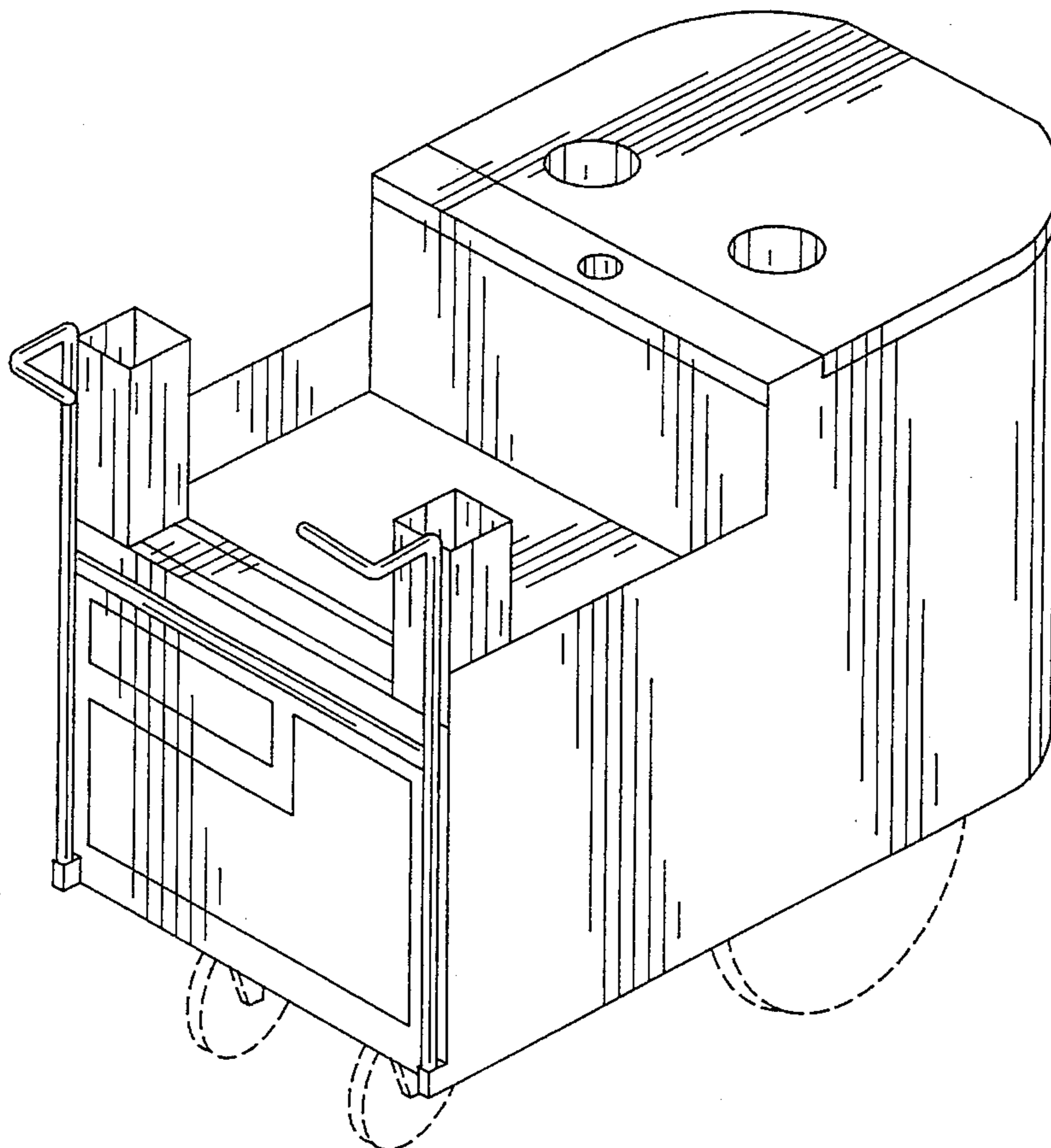
The undisclosed bottom of FIGS. 1, 3 and 5 is unornamented.

[56] References Cited

U.S. PATENT DOCUMENTS

D. 132,749	6/1942	Dinsmore .	
184,292	11/1876	Matthews .	
D. 228,063	8/1973	Keesihm et al. .	
D. 264,214	5/1982	Bowen et al.	D34/14
D. 323,051	1/1992	Baggott .	
D. 327,966	7/1992	Hikawa	D34/19
D. 327,967	7/1992	Hikawa	D34/20
D. 340,336	10/1993	Groenewege et al.	D34/20
1,375,121	4/1921	Swartzbaugh .	
1,585,834	5/1926	Drinkwater .	
1,760,854	5/1930	Wright .	
1,979,549	11/1934	Huckel .	
2,361,970	11/1944	Schmitt .	
2,845,780	8/1958	Conklin et al. .	
3,735,898	5/1973	Smith .	

1 Claim, 6 Drawing Sheets



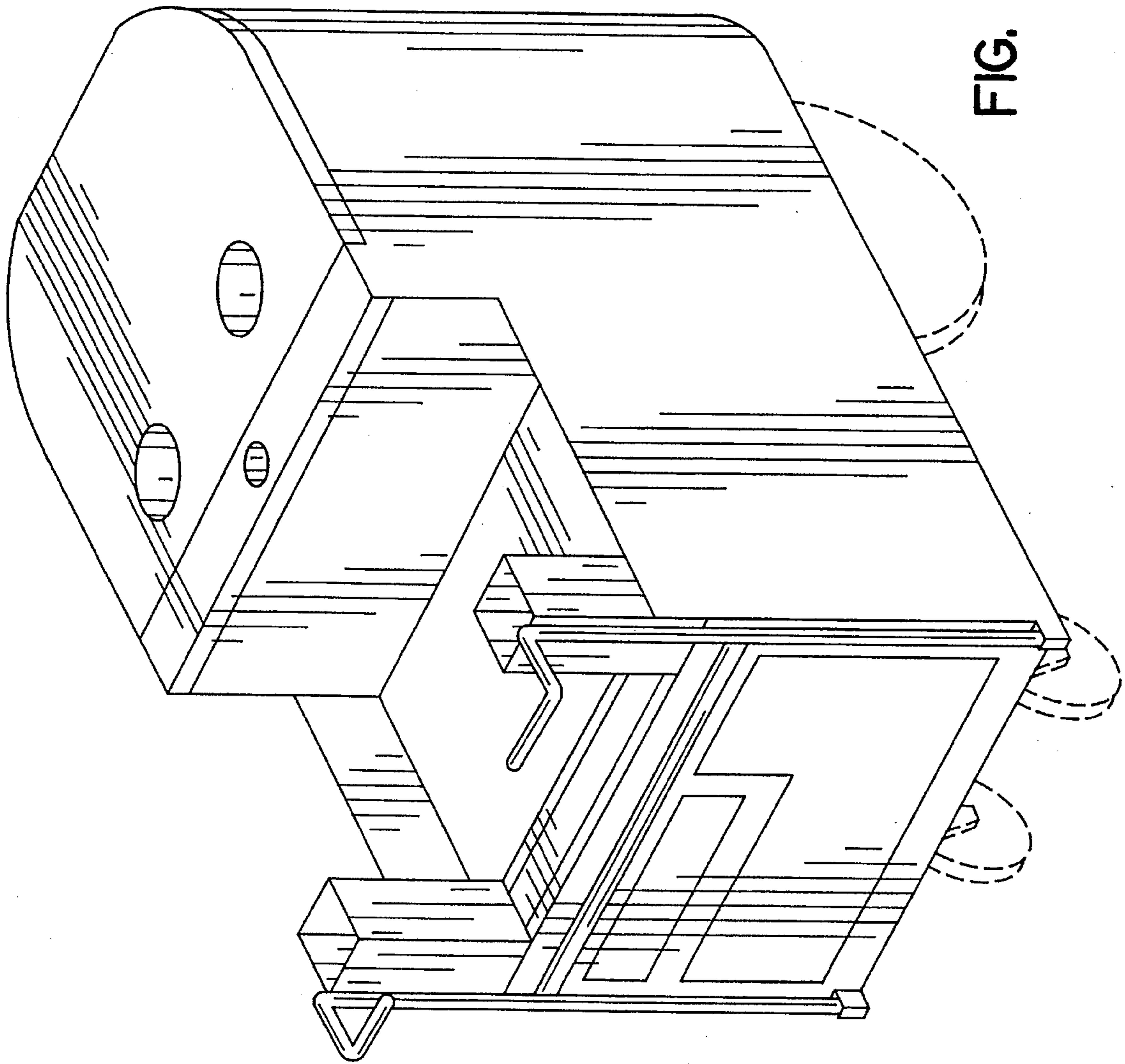


FIG. 1

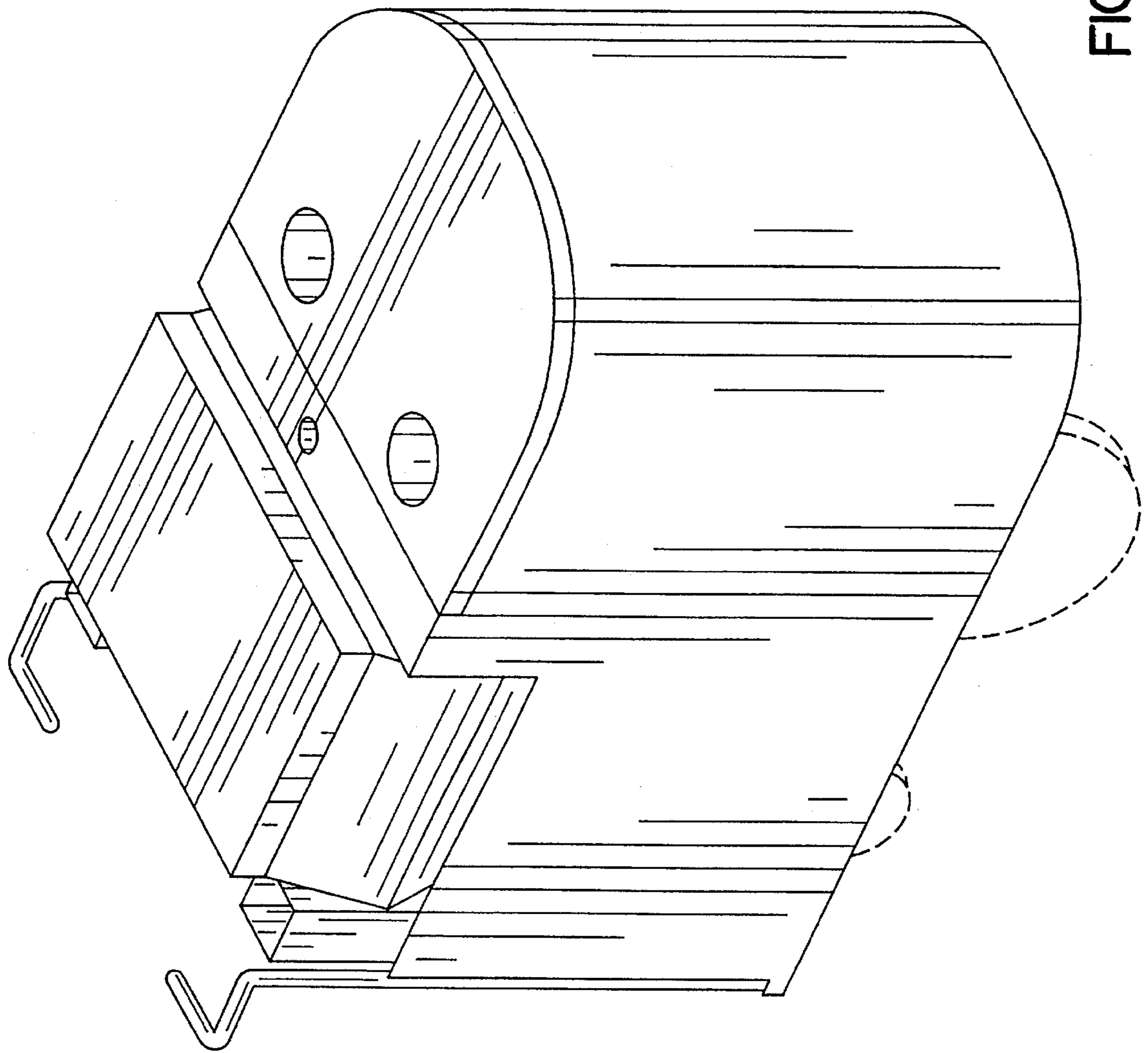


FIG. 2

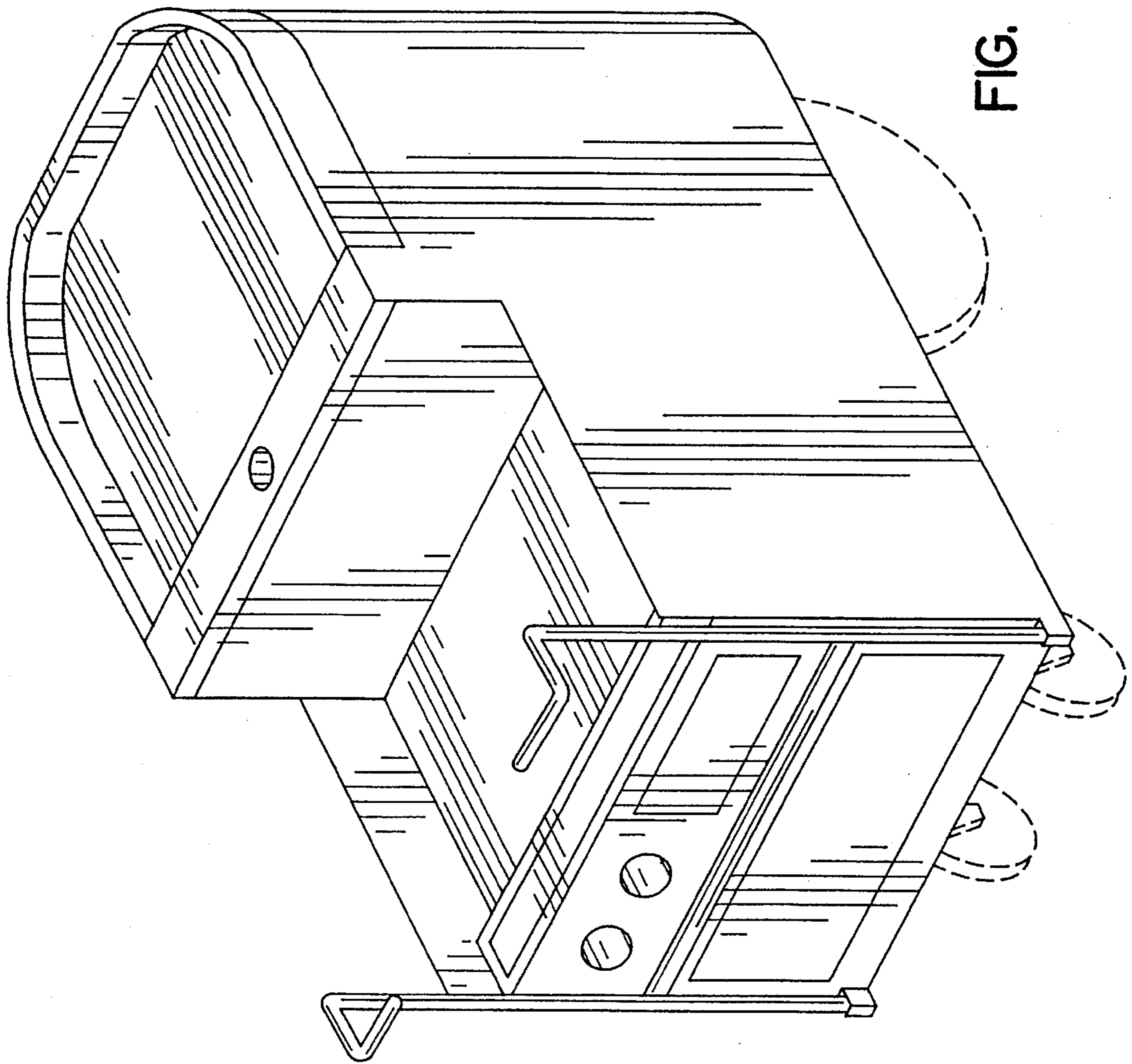


FIG. 3

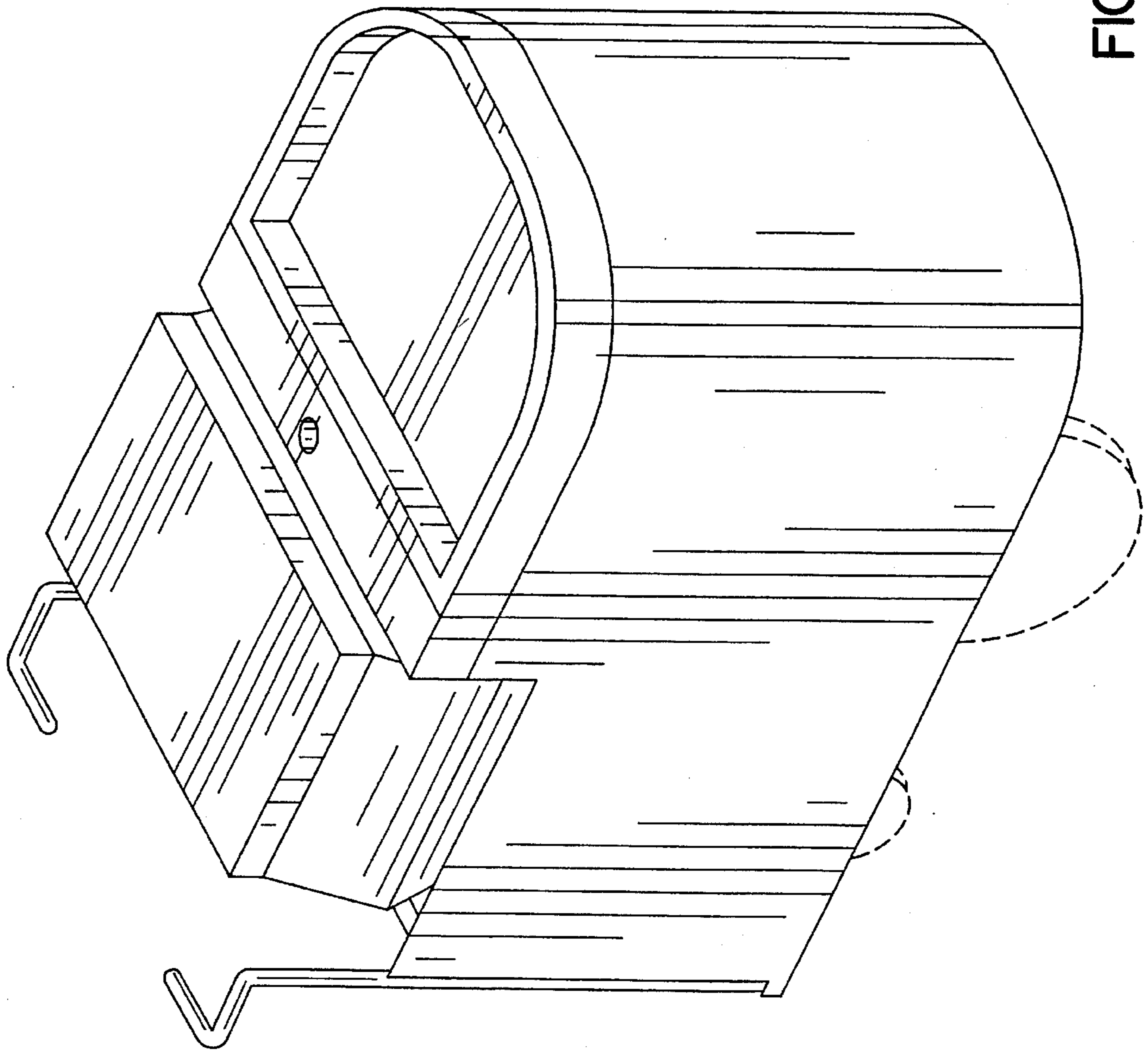


FIG. 4

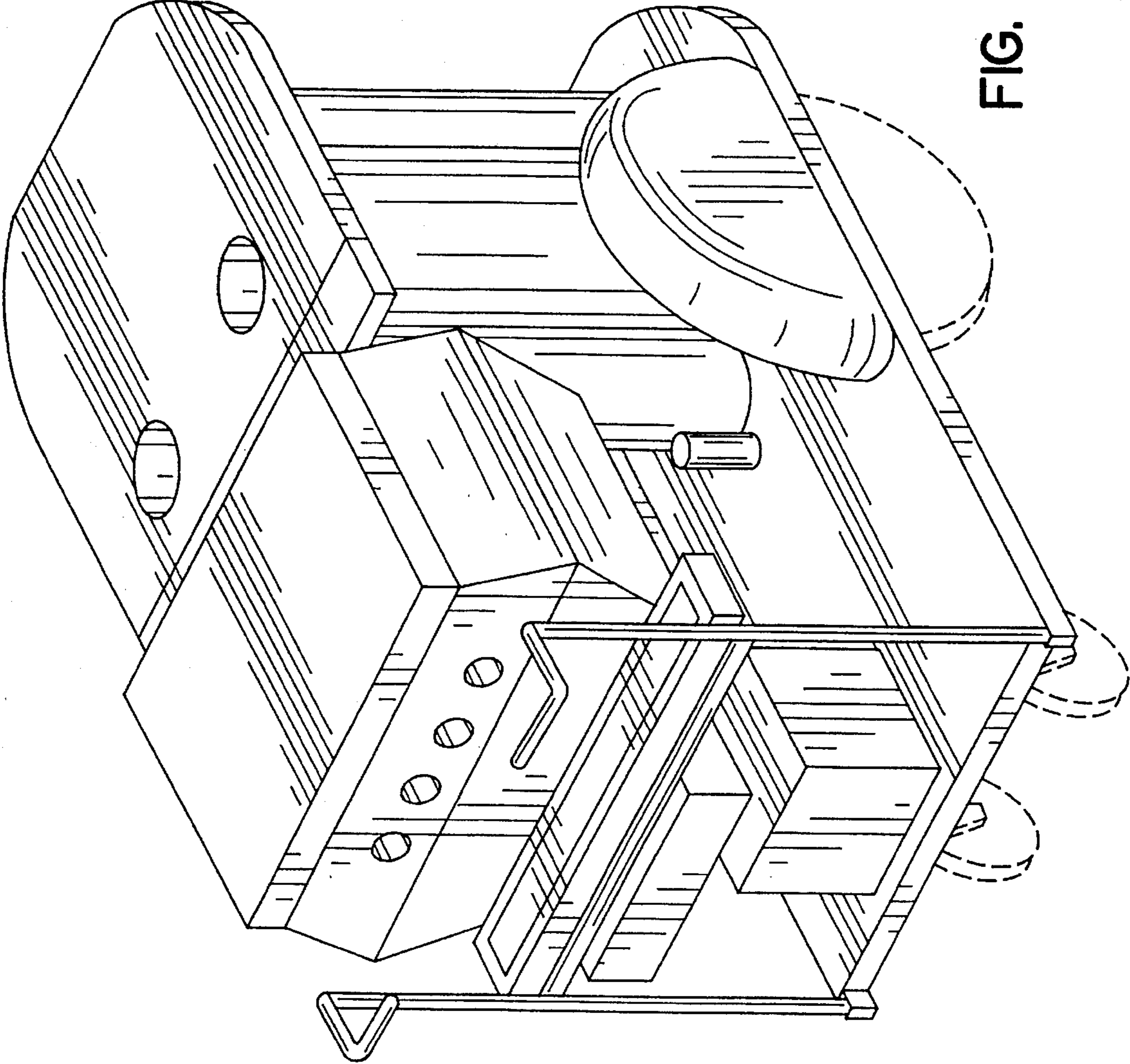


FIG. 5

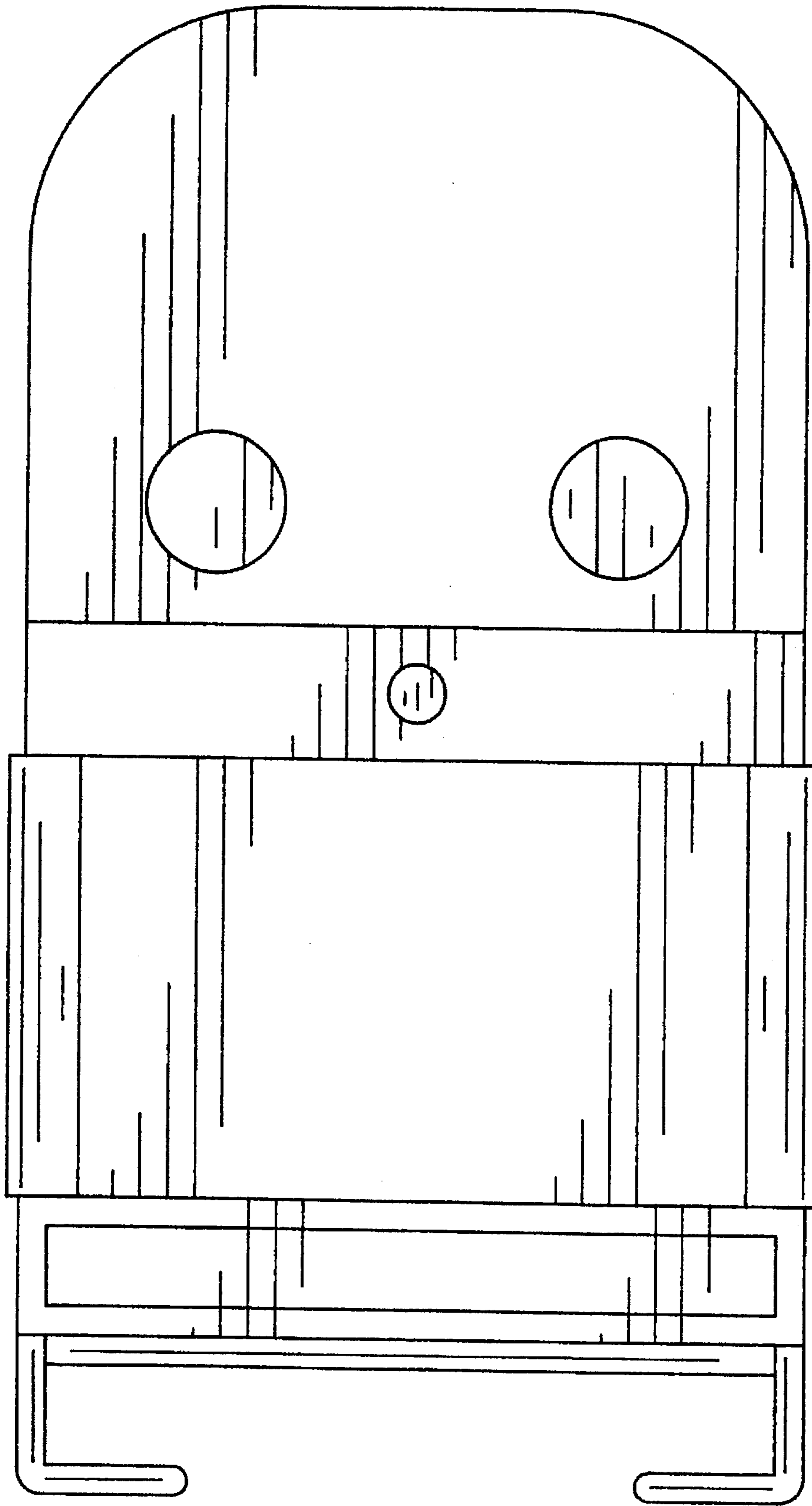


FIG. 6