



US00D369006S

United States Patent [19]

Pool

[11] Patent Number: **Des. 369,006**

[45] Date of Patent: ****Apr. 16, 1996**

[54] **IRON HOLDER**
[76] Inventor: **Dale Pool**, 6208 68th Ave. North,
Brooklyn Park, Minn. 55429

[**] Term: **14 Years**

[21] Appl. No.: **29,863**

[22] Filed: **Oct. 18, 1994**

[52] U.S. Cl. **D32/73**

[58] **Field of Search** D32/68, 66, 71,
D32/73; 38/94, 96, 103, 104, 106; 248/126,
463.1, 112, 107, 153, 175, 218.1, 249,
465.1, 302; D6/315, 317, 328, 537, 553,
566; D34/5, 6; D8/370

[56] **References Cited**

U.S. PATENT DOCUMENTS

D. 151,668	11/1948	Wriede et al.	D32/73
D. 311,618	10/1990	Mattesky	D32/73
1,386,392	8/1921	Brant	248/107
1,523,555	1/1925	Murphy	D32/73 X

2,603,438	7/1952	Adams	D32/73 X
2,791,390	5/1957	Grommons	D32/73 X
3,054,588	9/1962	Ondrasik	D32/73
3,212,742	10/1965	Povoni	D32/73 X
5,002,246	3/1991	Chaffin et al.	248/153

Primary Examiner—Susan J. Lucas
Assistant Examiner—Cynthia E. Ramirez
Attorney, Agent, or Firm—Hugh D. Jaeger

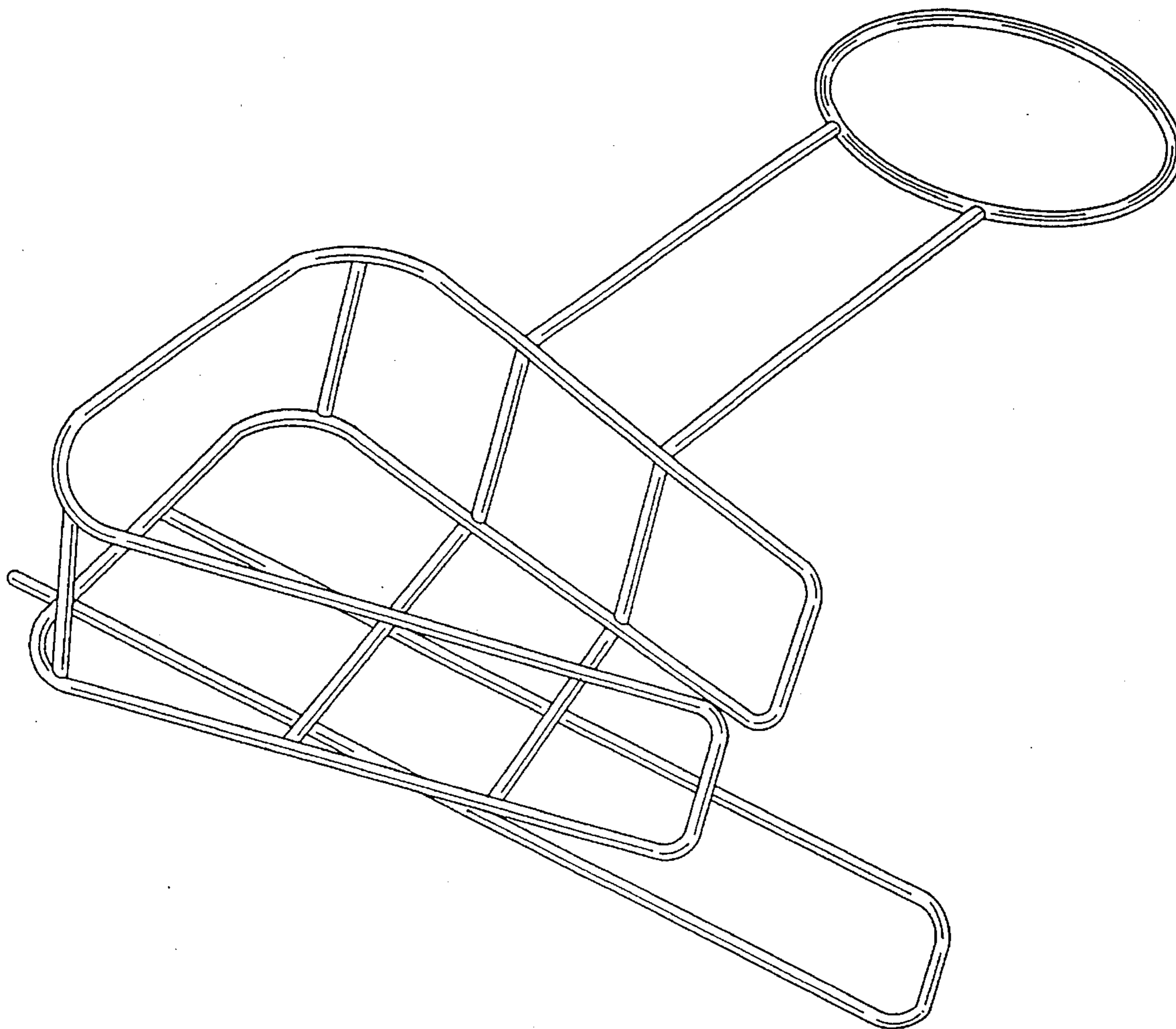
[57] **CLAIM**

The ornamental design for an iron holder, as shown.

DESCRIPTION

FIG. 1 illustrates a perspective view thereof;
FIG. 2 illustrates a front view thereof;
FIG. 3 illustrates a back view thereof;
FIG. 4 illustrates a right side view thereof;
FIG. 5 illustrates a left side view thereof;
FIG. 6 illustrates a top view thereof; and,
FIG. 7 illustrates a bottom view thereof.

1 Claim, 5 Drawing Sheets



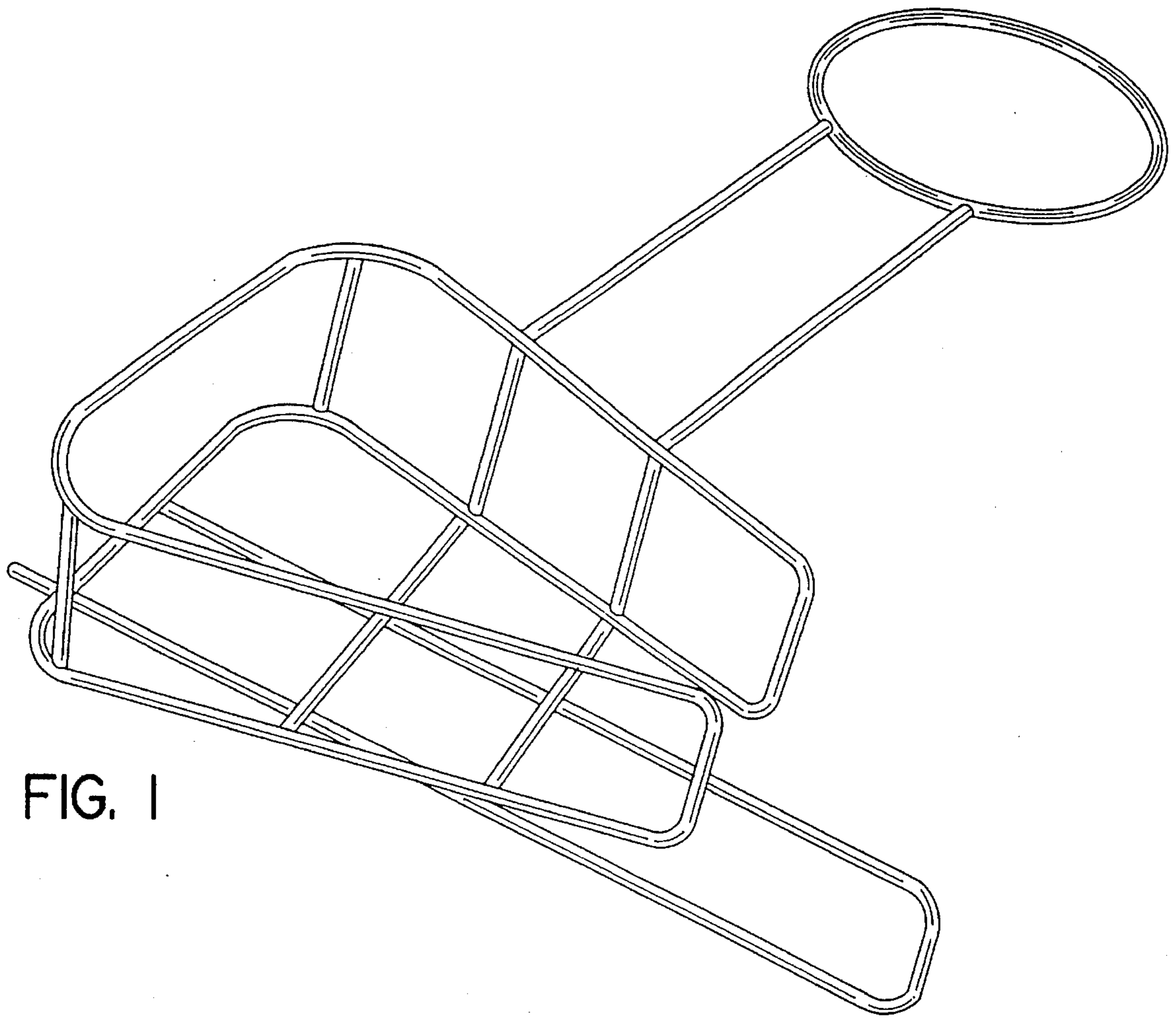


FIG. 1

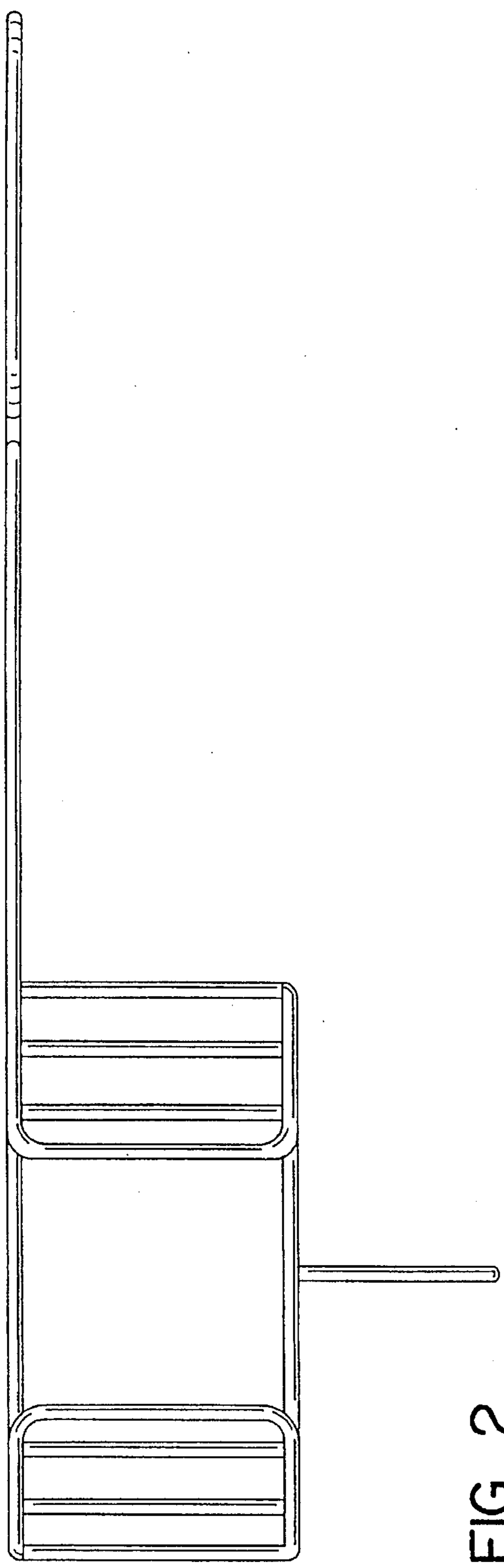


FIG. 2

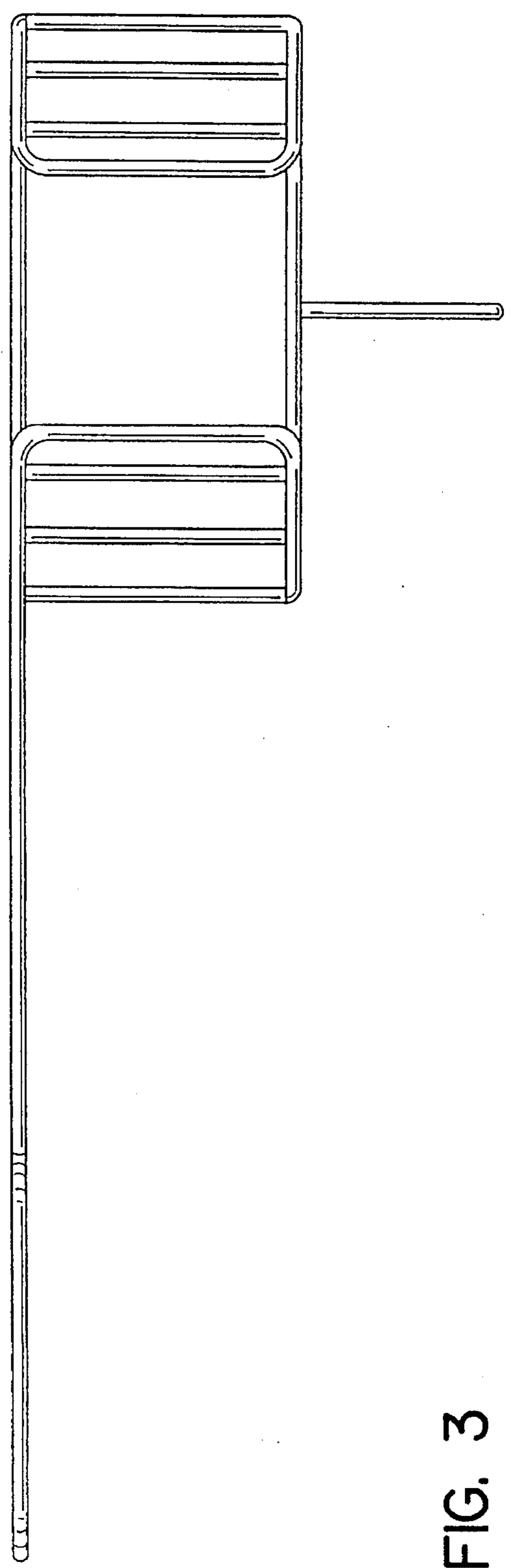


FIG. 3

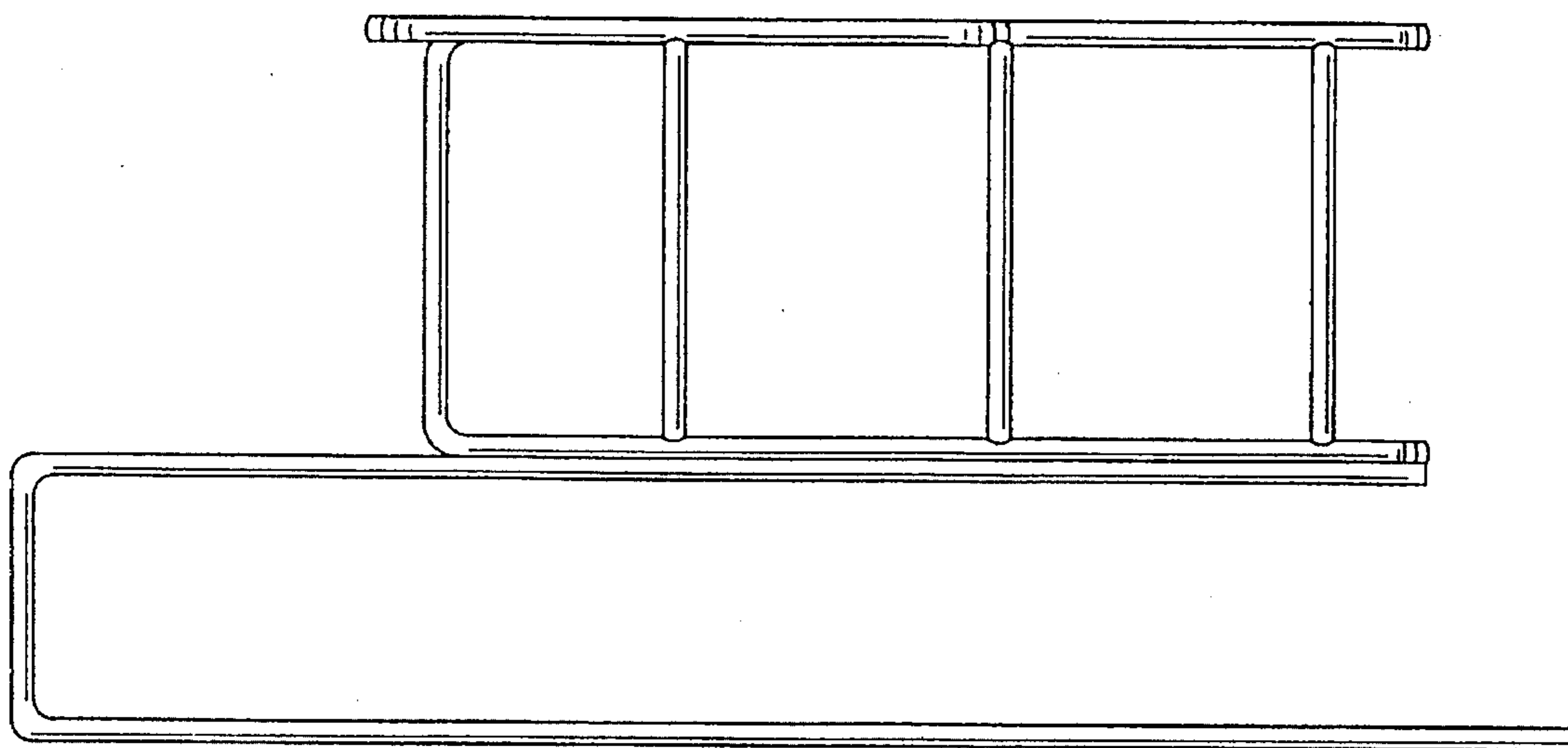


FIG. 4

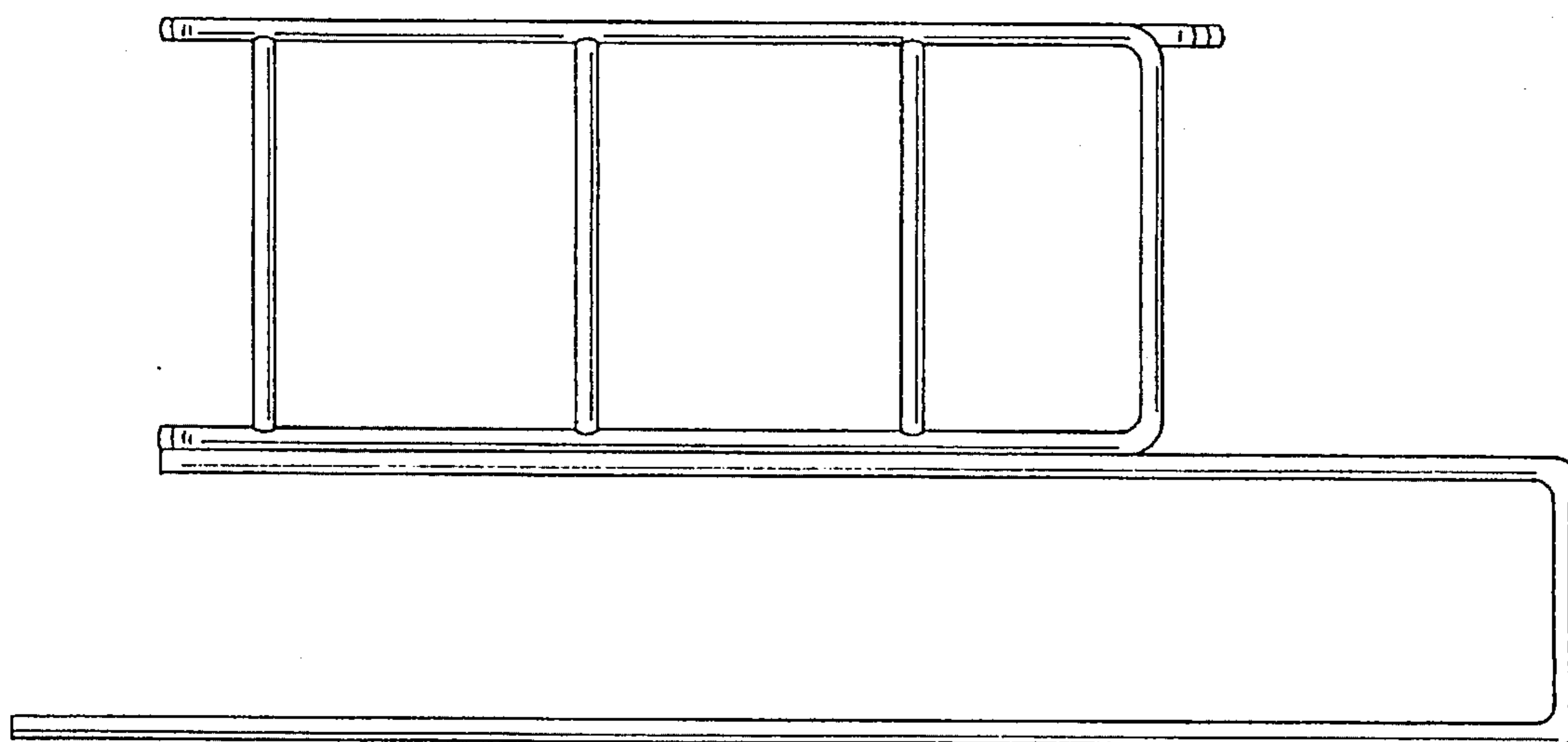


FIG. 5

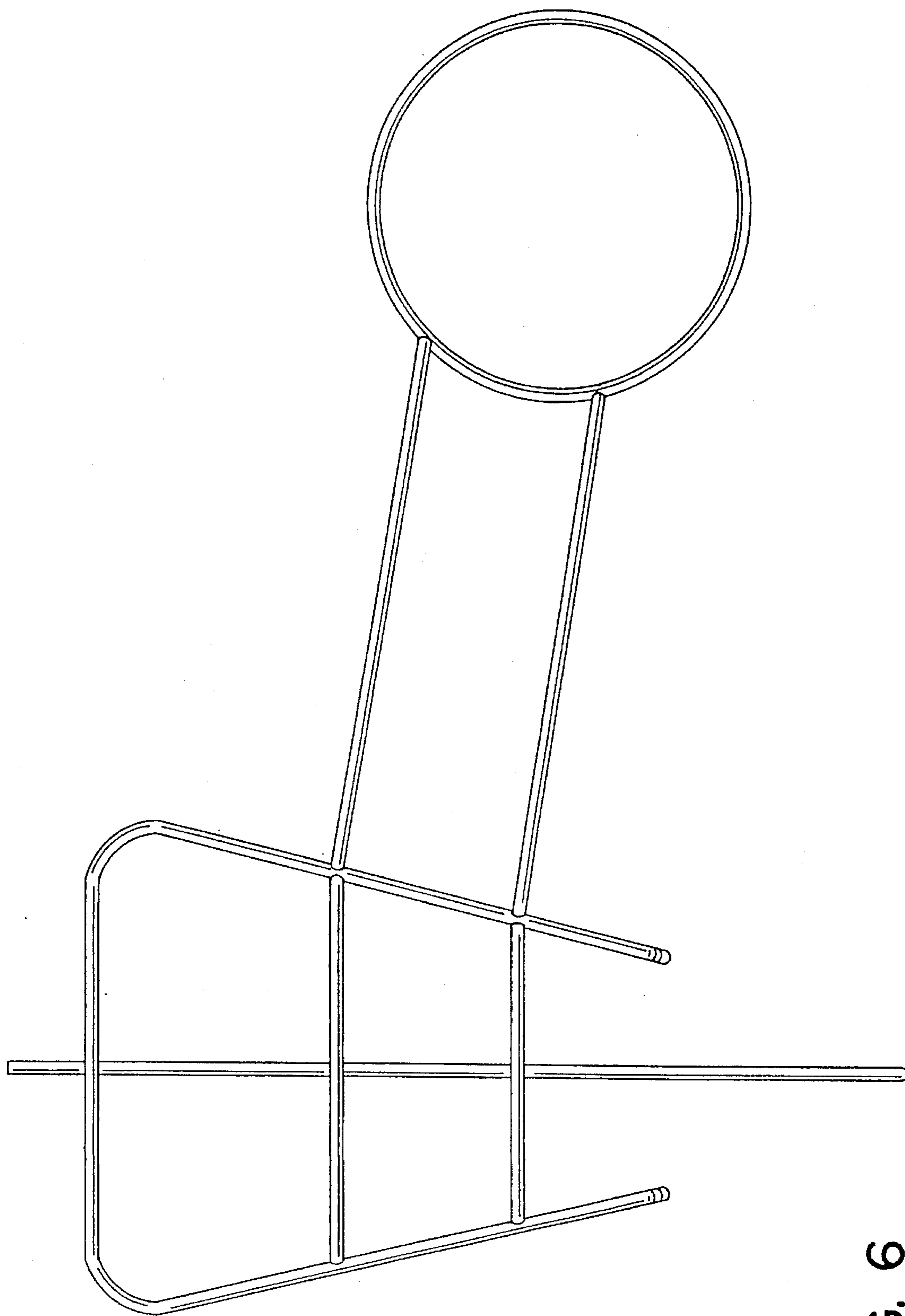


FIG. 6

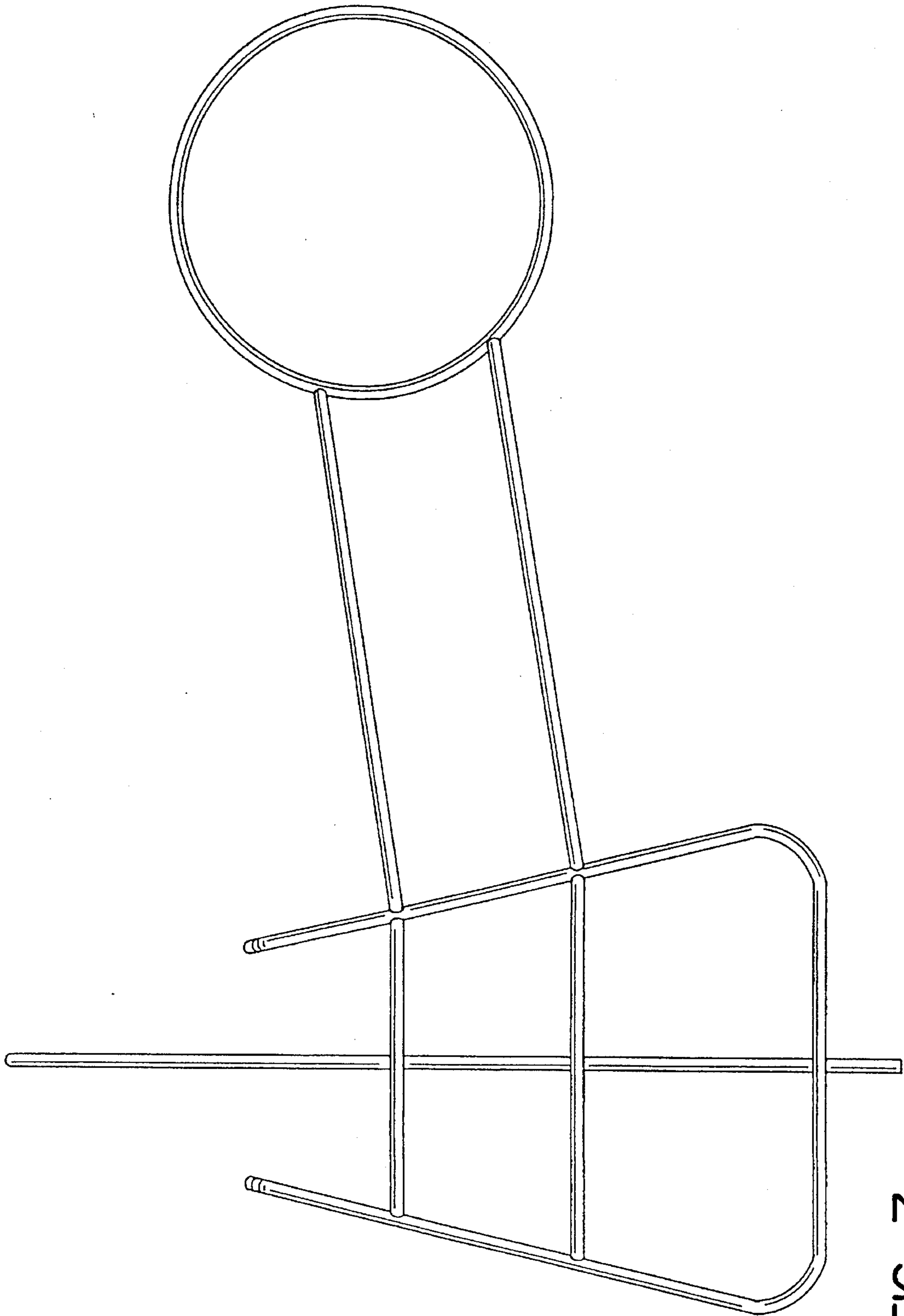


FIG. 7