



US00D369005S

# United States Patent [19]

Stützer et al.

[11] Patent Number: Des. 369,005

[45] Date of Patent: \*\*Apr. 16, 1996

[54] STEAM IRON

[75] Inventors: **Franz A. Stützer**, Offenbach am Main;  
**Bernd Reibl**, Sindelfingen, both of  
Germany

[73] Assignee: **Rowenta-Werke GmbH**, Offenbach am  
Main, Germany

[\*\*] Term: 14 Years

[21] Appl. No.: 28,429

[22] Filed: Sep. 14, 1994

### [30] Foreign Application Priority Data

Mar. 14, 1994 [DE] Germany ..... 94 02 106.6

[52] U.S. Cl. .... D32/70

[58] Field of Search ..... D32/68, 70, 71,  
D32/72, 73, 69; 38/69, 74, 77.1, 77.2, 77.5,  
77.7, 77.8, 77.9, 79, 88; 219/245, 246,  
247, 254, 273, 274, 275, 276

### [56] References Cited

#### U.S. PATENT DOCUMENTS

D. 315,238 3/1991 Tien-Lai ..... D32/70

*Primary Examiner*—A. Hugo Word

*Assistant Examiner*—Cynthia E. Ramirez

*Attorney, Agent, or Firm*—Cohen, Pontani, Lieberman, Pav-  
ane; Klaus P. Stoffel

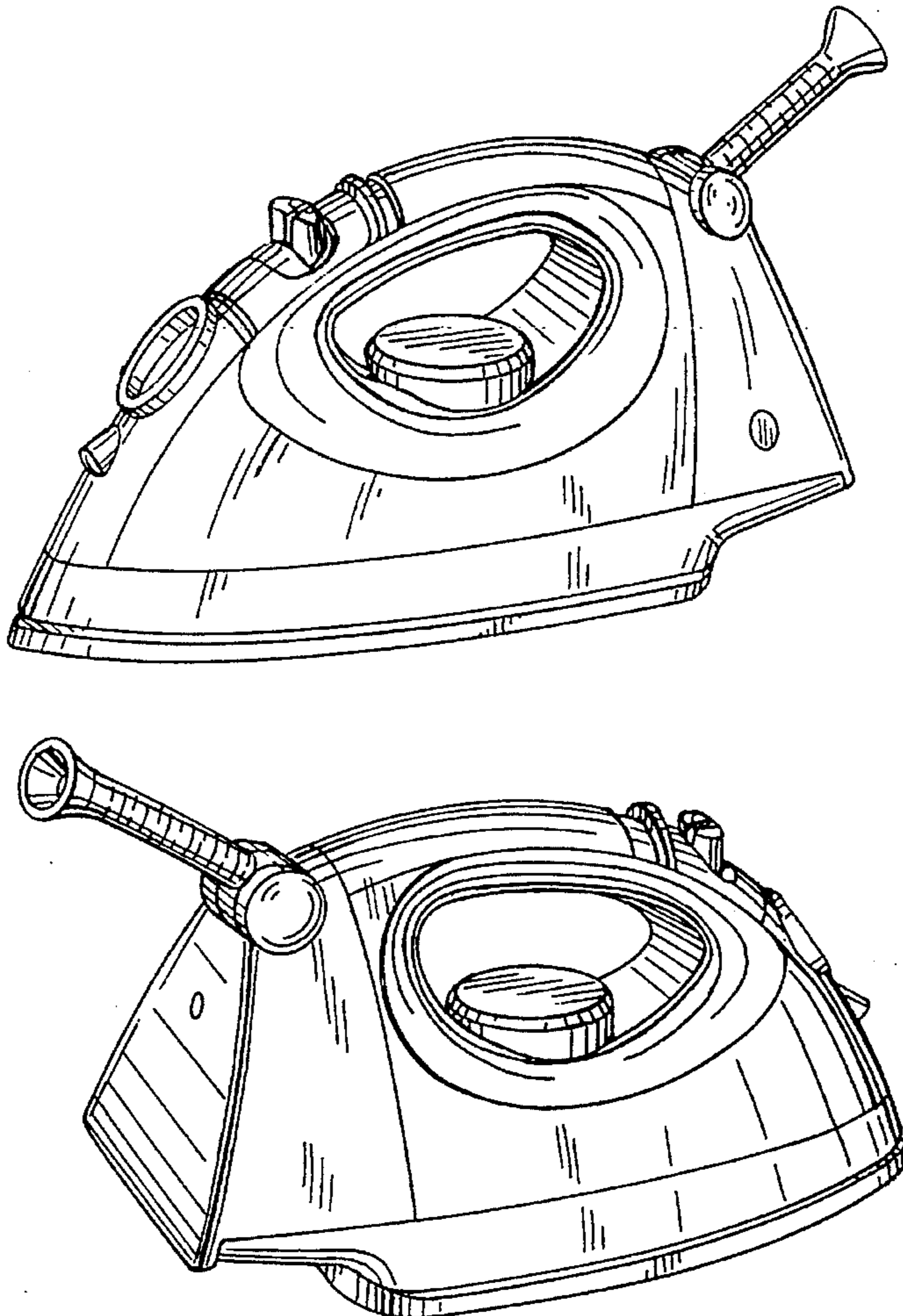
### [57] CLAIM

The ornamental design for a steam iron, as shown and  
described.

### DESCRIPTION

FIG. 1 is a front perspective view of the steam iron of the  
present invention in a closed state;  
FIG. 2 is a rear perspective view of the steam iron of FIG.  
1;  
FIG. 3 is a side view in elevation of the steam iron of FIG.  
1 as seen from the left-hand side of FIG. 5;  
FIG. 4 is a side view in elevation of the steam iron of FIG.  
1 as seen from the right-hand side of FIG. 5;  
FIG. 5 is a front view in elevation of the steam iron of FIG.  
1;  
FIG. 6 is a rear view in elevation of the steam iron of FIG.  
1;  
FIG. 7 is a top plan view of FIG. 6; and,  
FIG. 8 is a bottom view of FIG. 6.

1 Claim, 2 Drawing Sheets



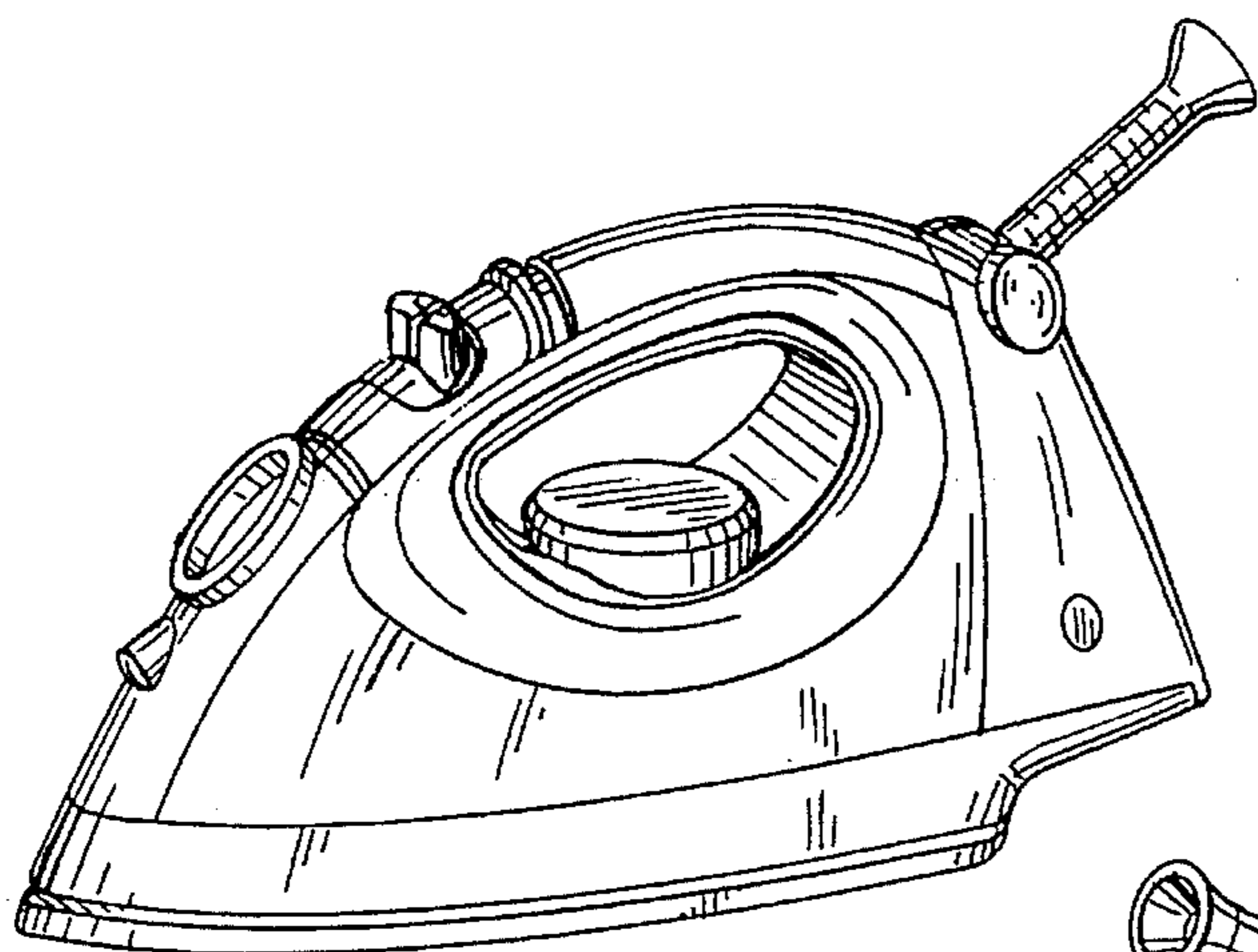


FIG. 1

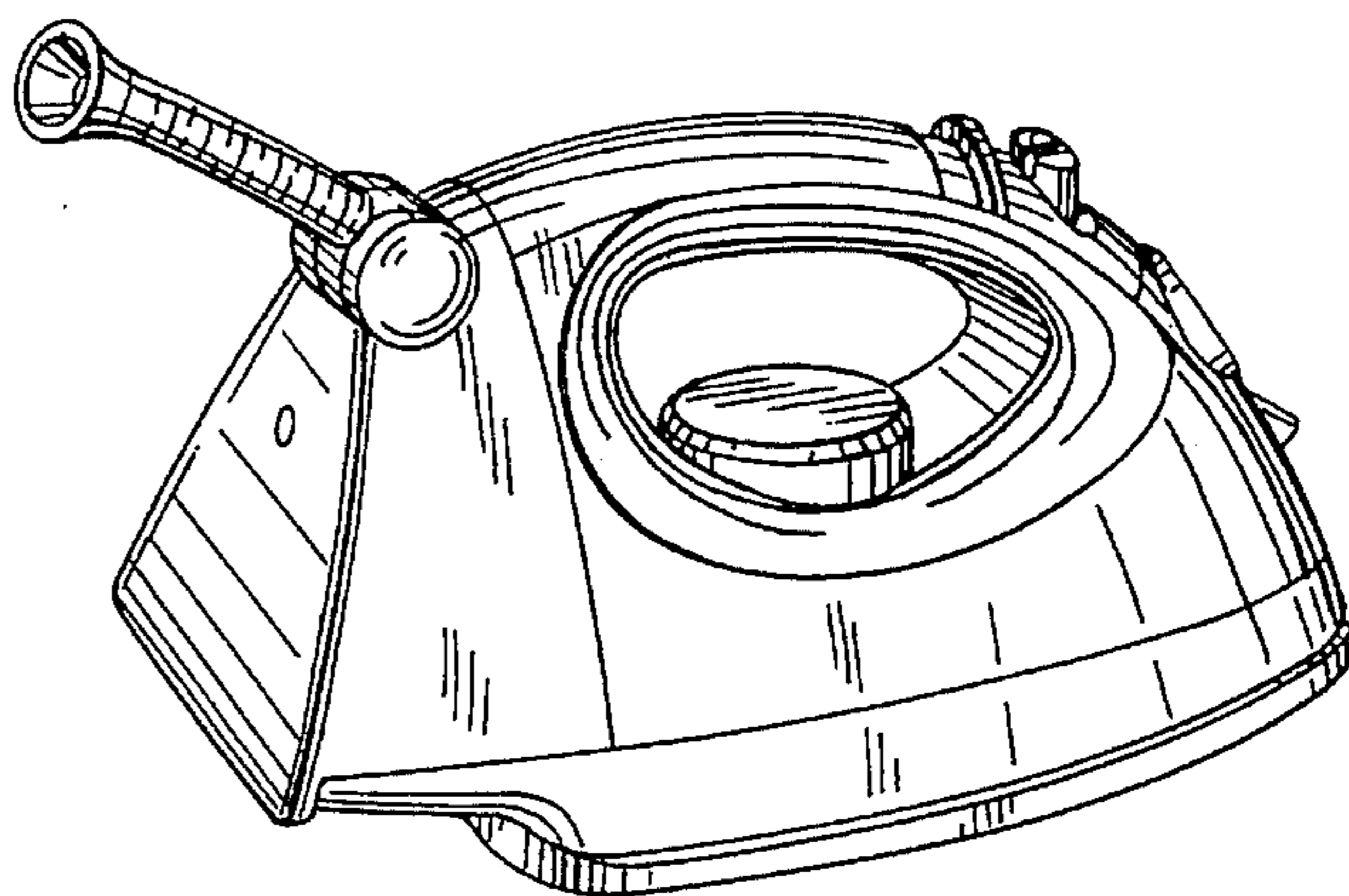


FIG. 2

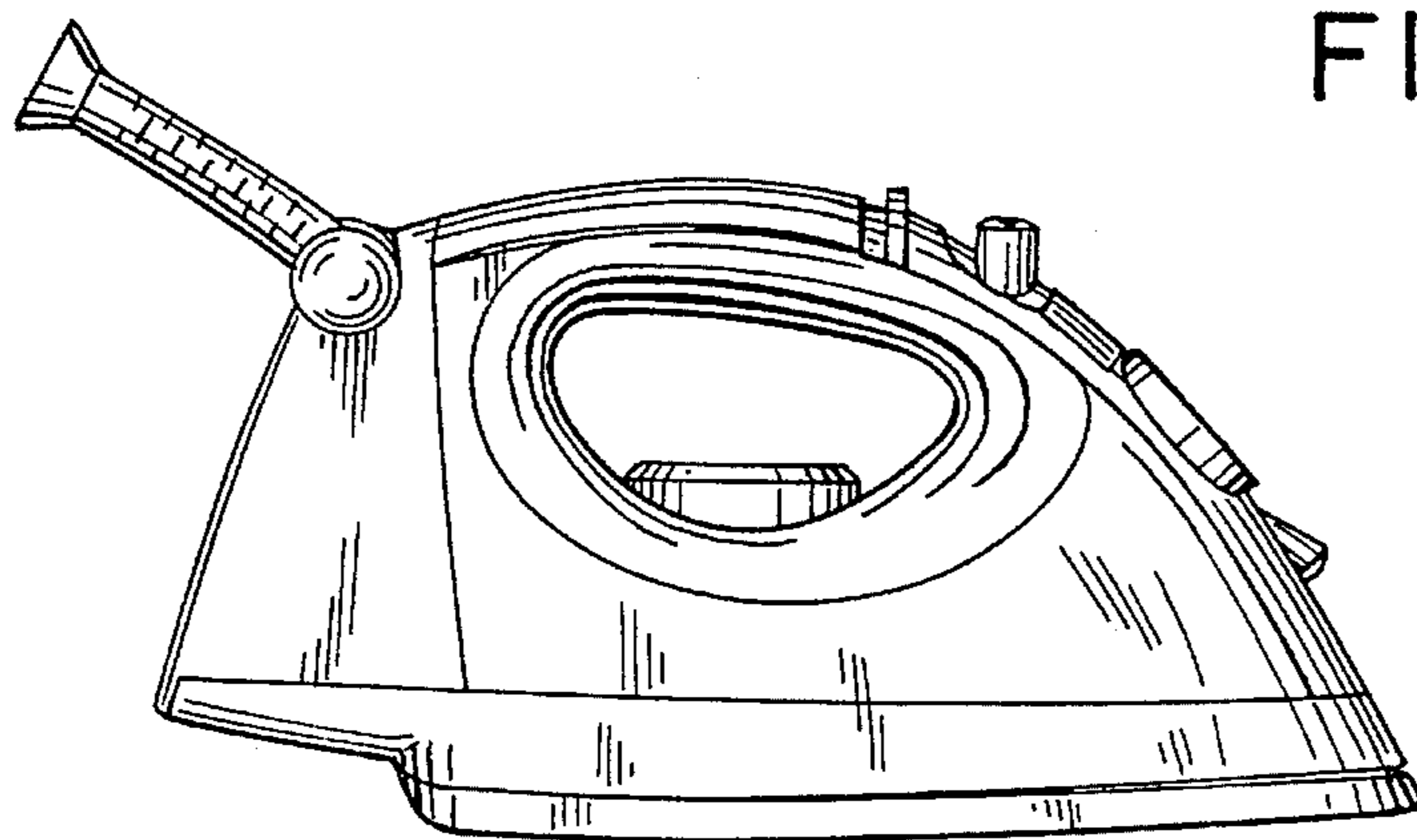


FIG. 3

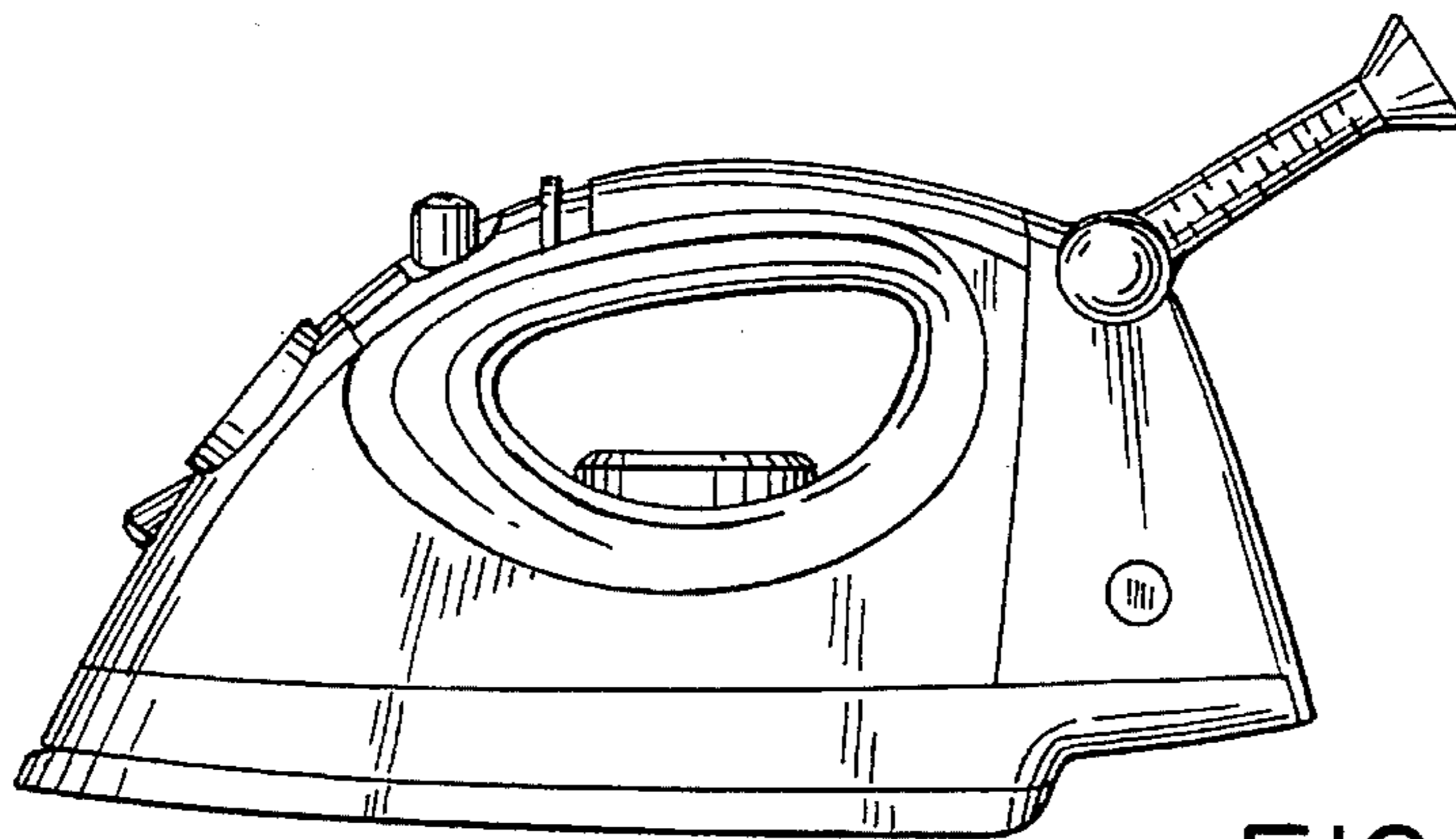


FIG. 4

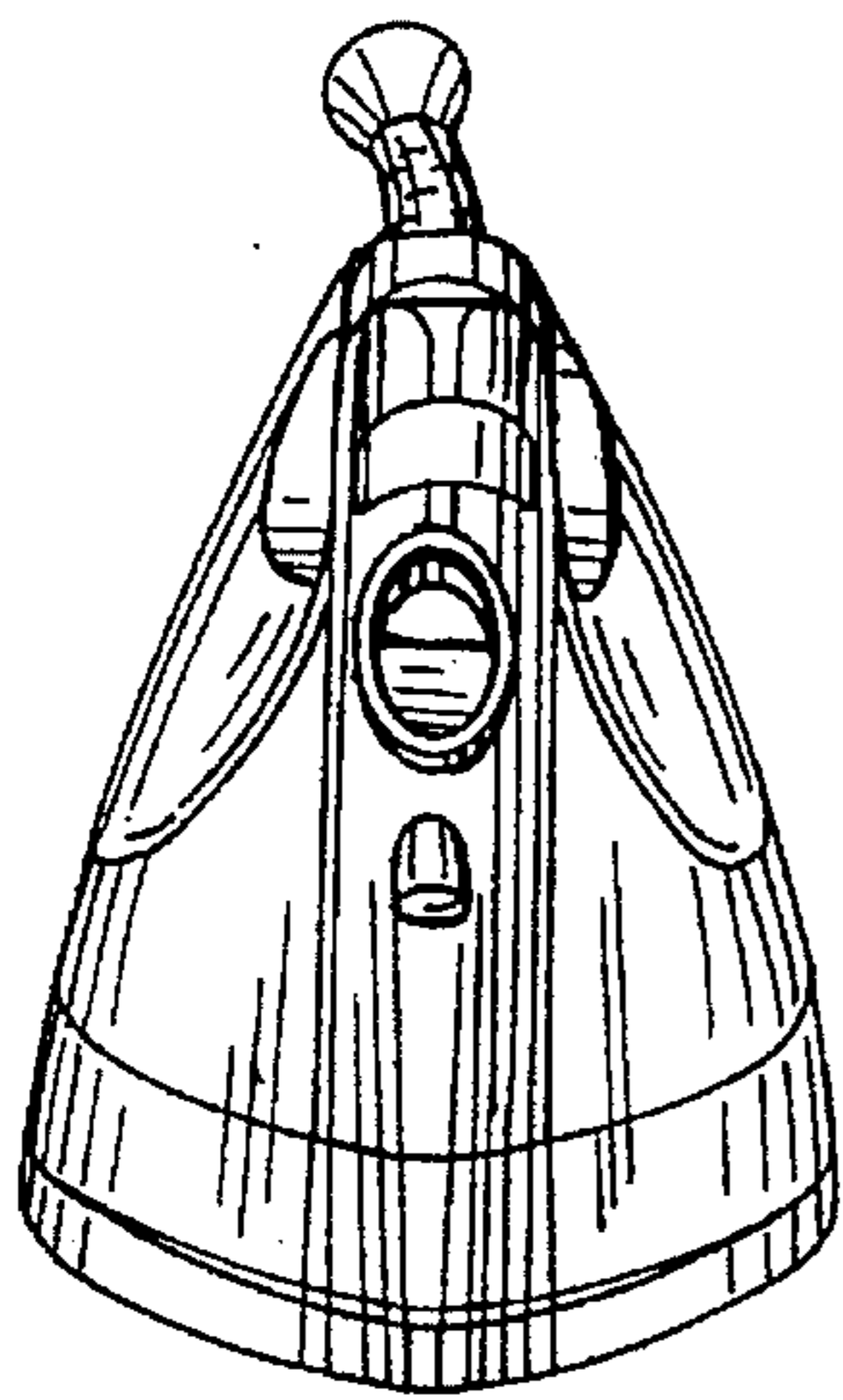


FIG. 5

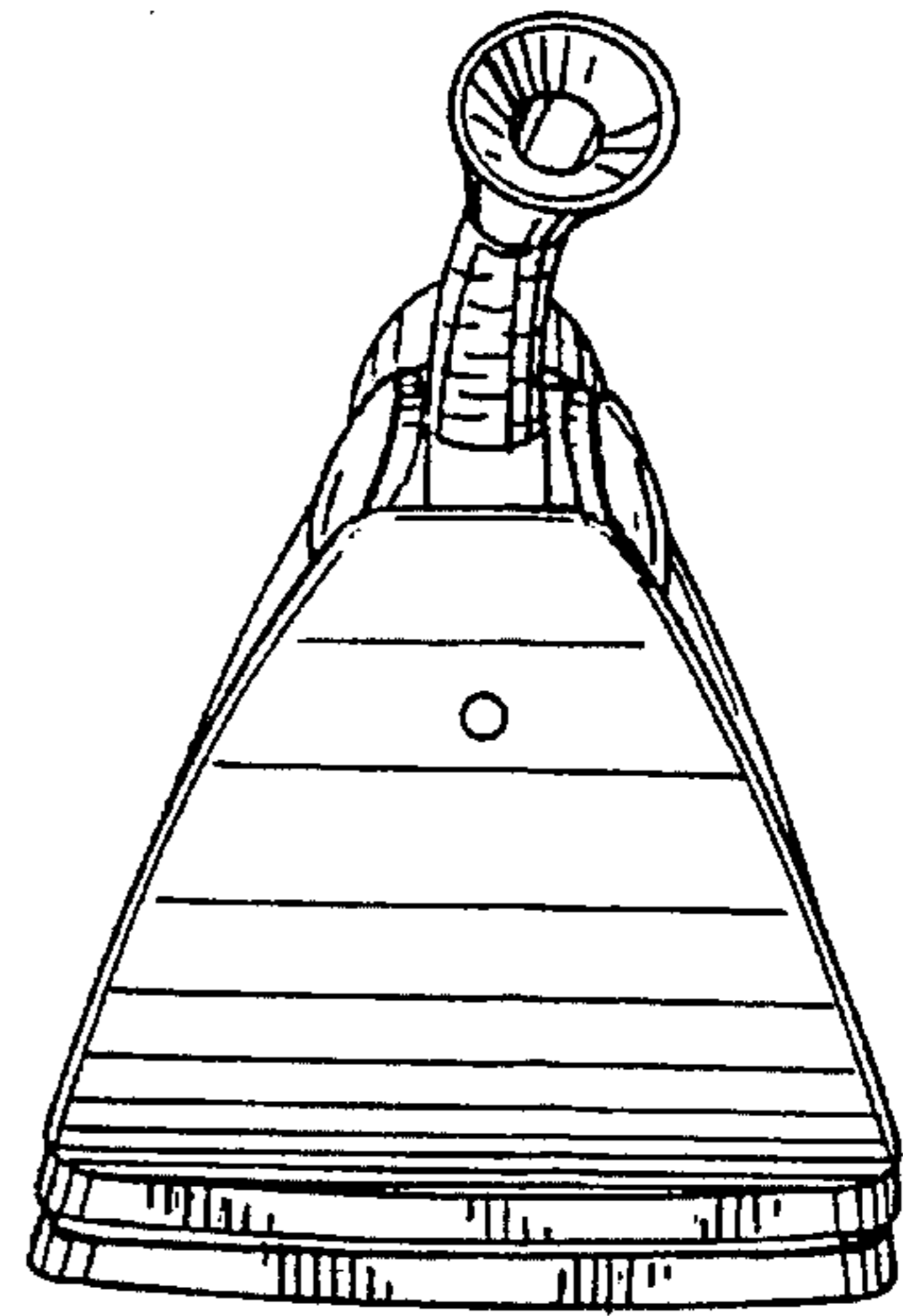


FIG. 6

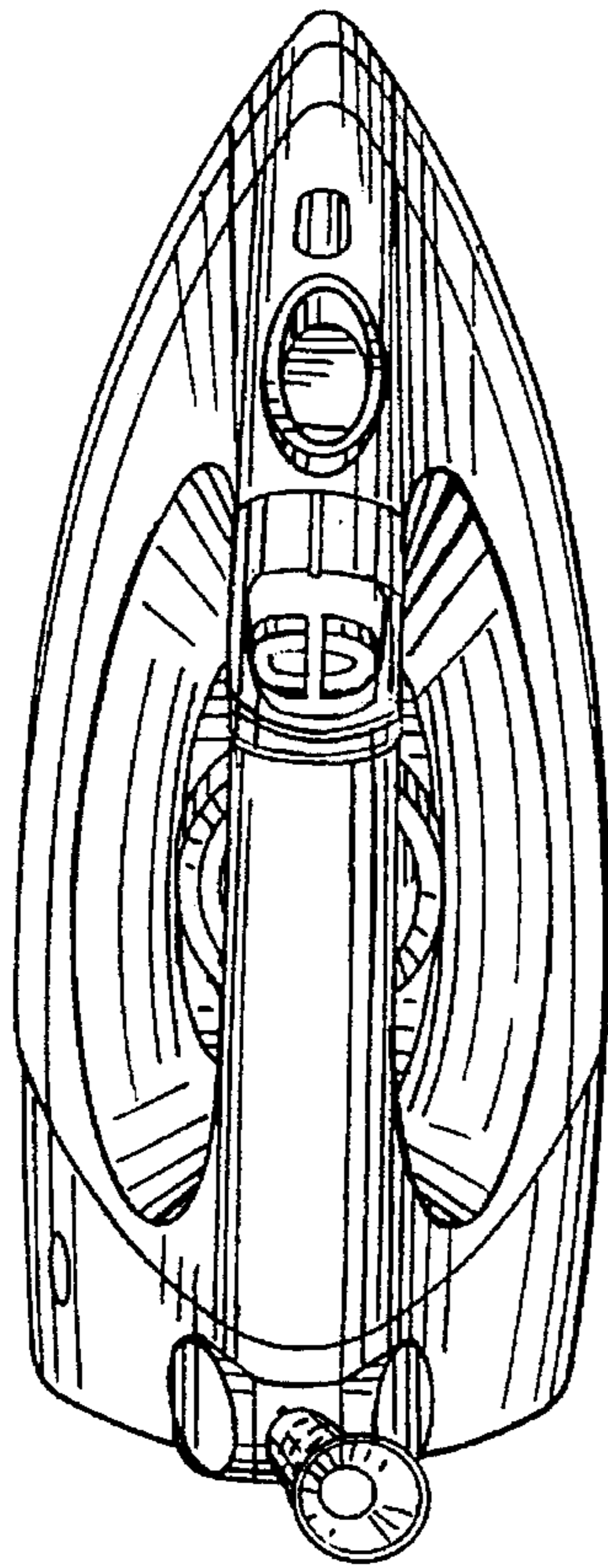


FIG. 7

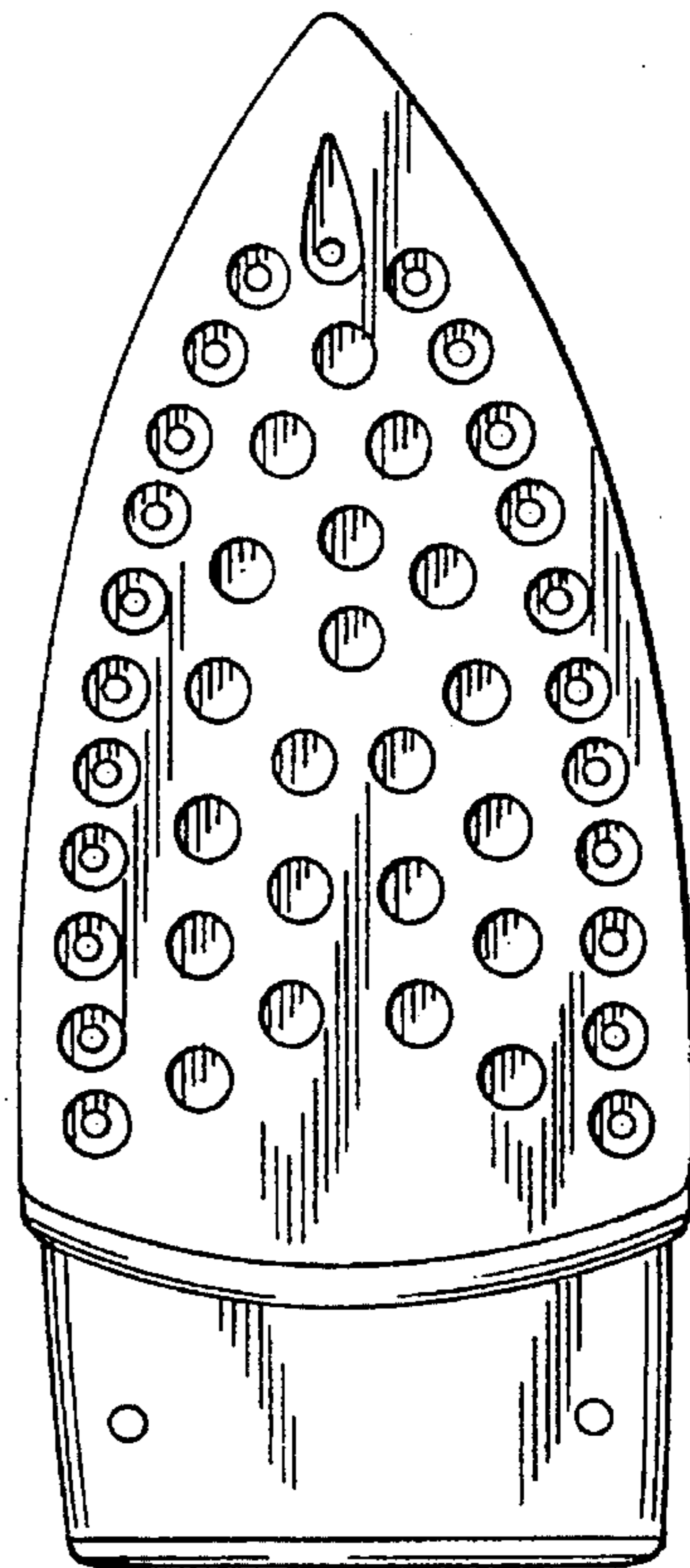


FIG. 8