



US00D369002S

# United States Patent [19]

[11] Patent Number: **Des. 369,002**

Pratt

[45] Date of Patent: **\*\*Apr. 16, 1996**

[54] **COMBINATION DISHRACK AND DRAINBOARD**

5,119,943 6/1992 Hoang ..... 211/41  
5,158,184 10/1992 Craft et al. .... 211/41

[76] Inventor: **Jason C. Pratt**, 350 E. 79th St., Apt. 4B, New York, N.Y. 10021

*Primary Examiner*—A. Hugo Word  
*Assistant Examiner*—Robin V. Taylor  
*Attorney, Agent, or Firm*—Kelly & Hulme

[\*\*] Term: **14 Years**

[57] **CLAIM**

[21] Appl. No.: **36,477**

The ornamental design for a combination dishrack and drainboard, as shown and described.

[22] Filed: **Mar. 21, 1995**

[52] U.S. Cl. .... **D32/55**

**DESCRIPTION**

[58] Field of Search ..... D32/55-59; D6/462; 211/41; 248/128, 346; 220/572, 487-488; 4/637, 656; 108/16, 24

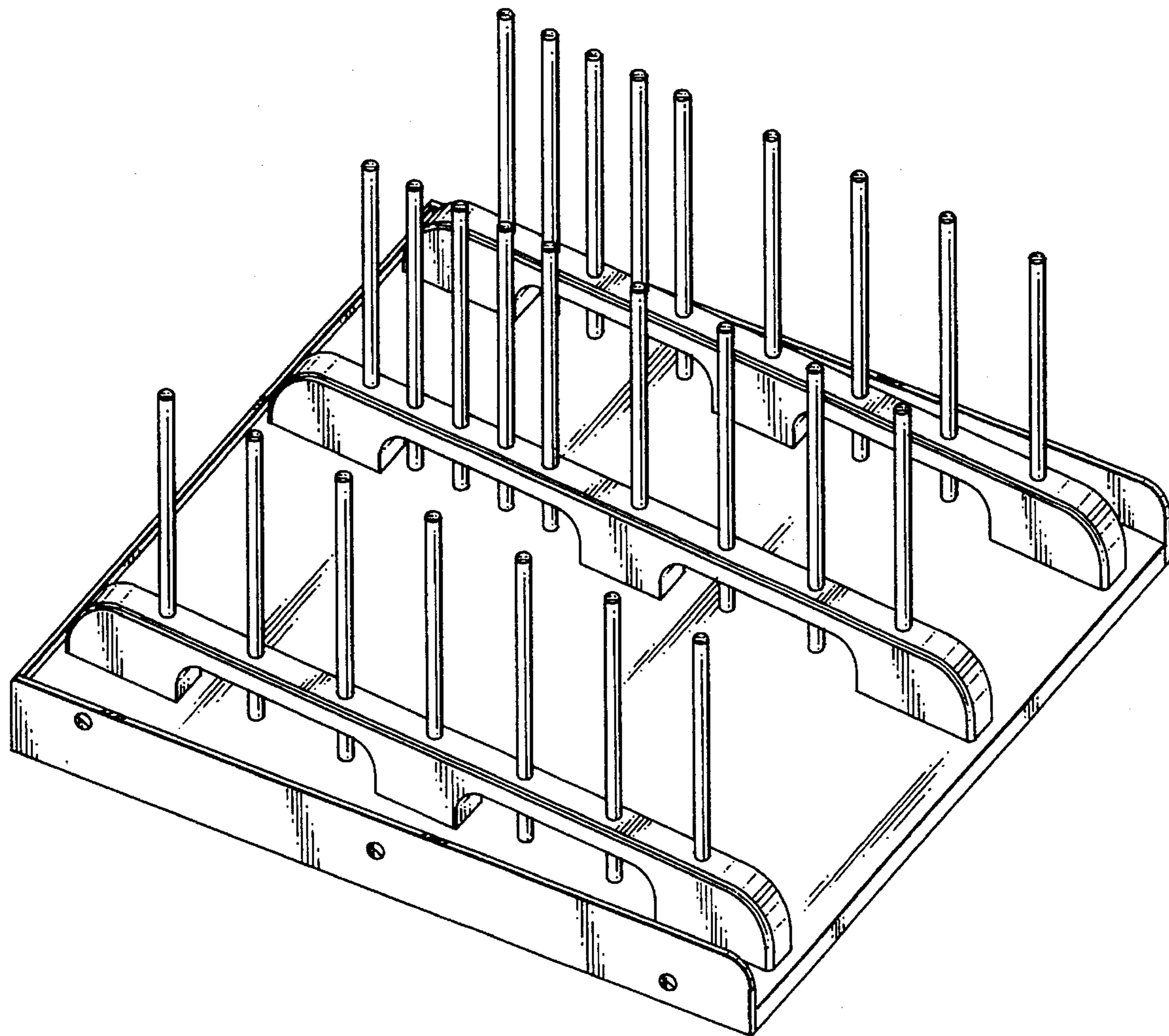
FIG. 1 is a top, perspective view of the combination dishrack and drainboard of the present invention; FIG. 2 is a side view thereof, the other side being a mirror image; FIG. 3 is a rear view thereof; FIG. 4 is a front view thereof; FIG. 5 is a bottom view thereof; and, FIG. 6 is a top view thereof.

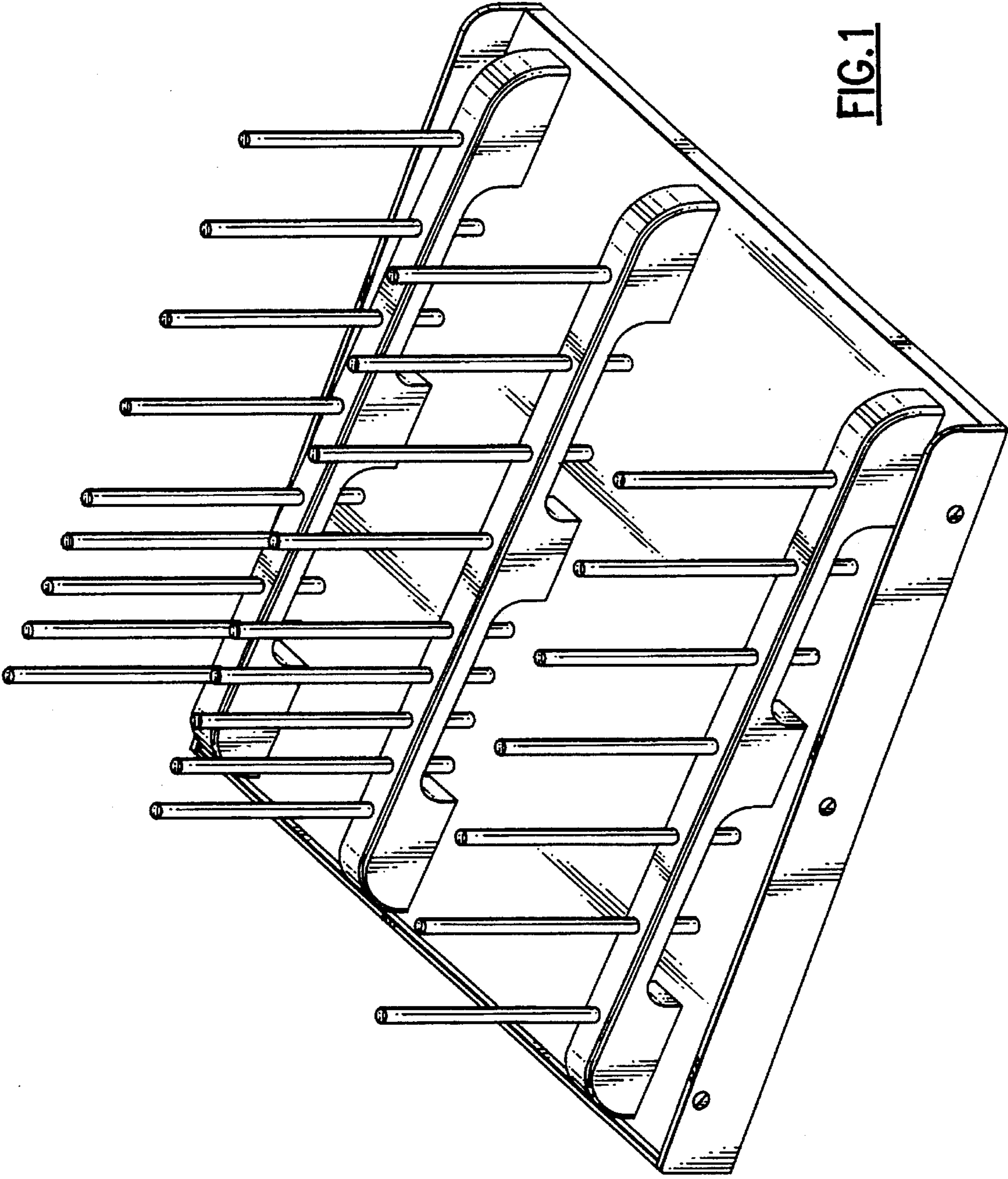
[56] **References Cited**

**U.S. PATENT DOCUMENTS**

D. 347,717	6/1994	Chapin	.....	D32/56
2,954,875	10/1960	Becker	.....	211/41
4,531,641	7/1985	Archambault	.....	211/41
5,010,660	4/1991	Hambleton et al.	.....	34/104

**1 Claim, 3 Drawing Sheets**





**FIG.1**

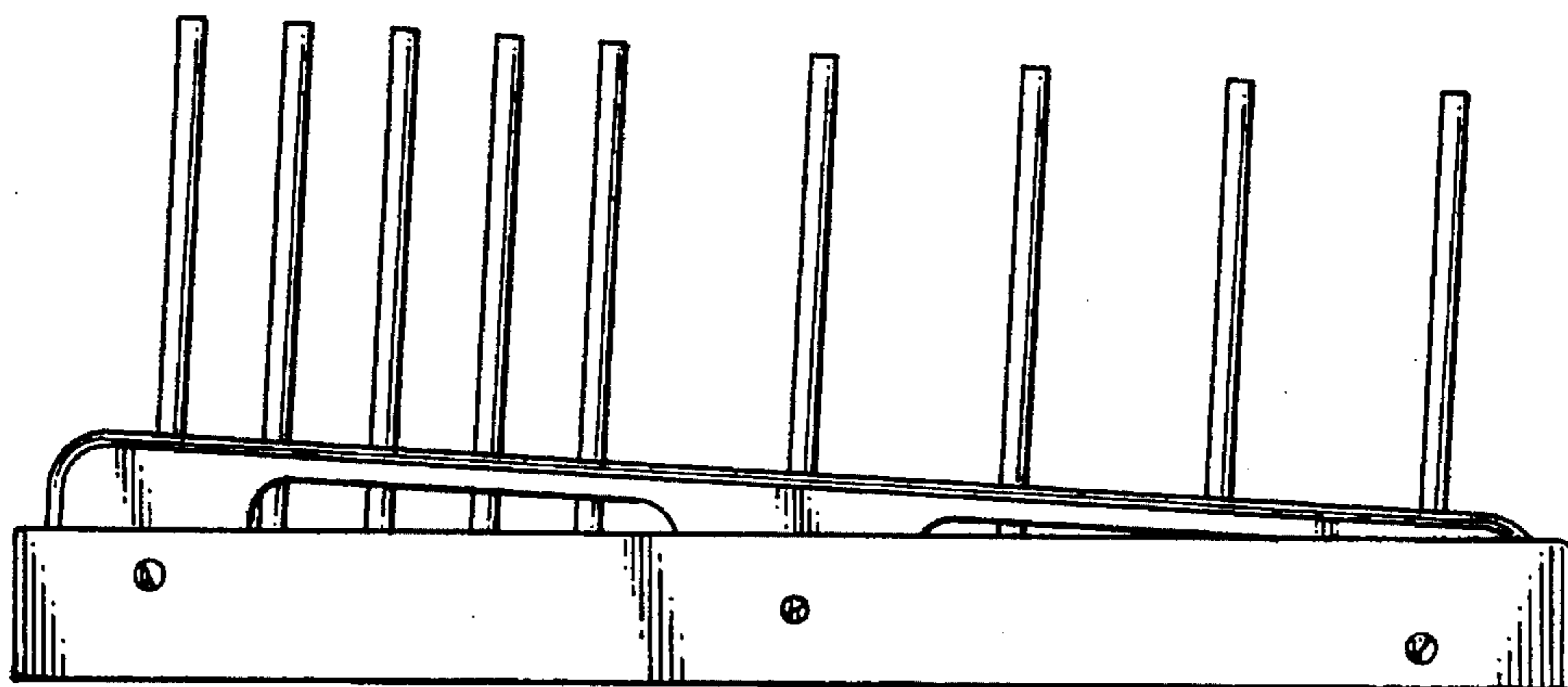


FIG. 2

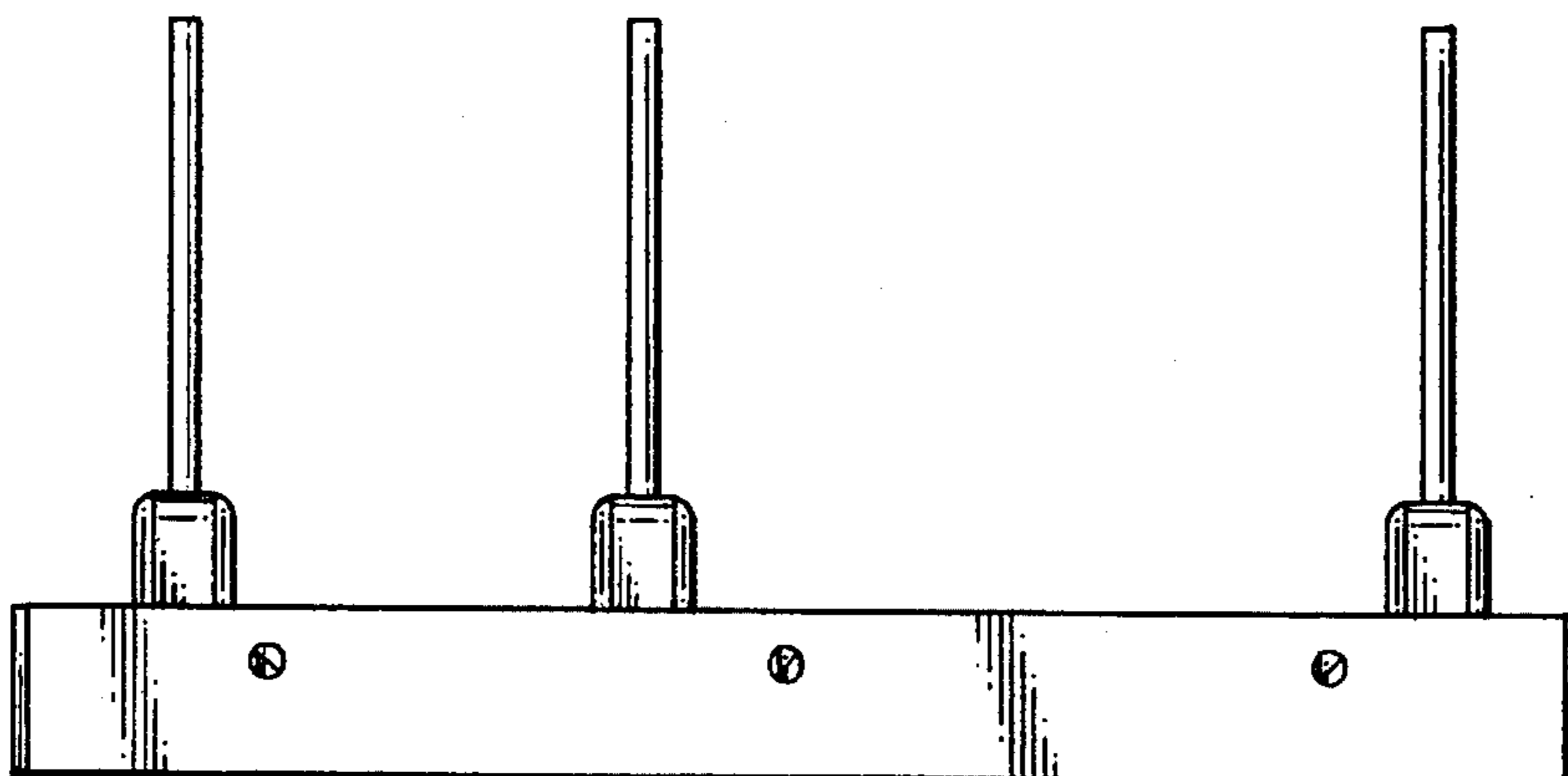


FIG. 3

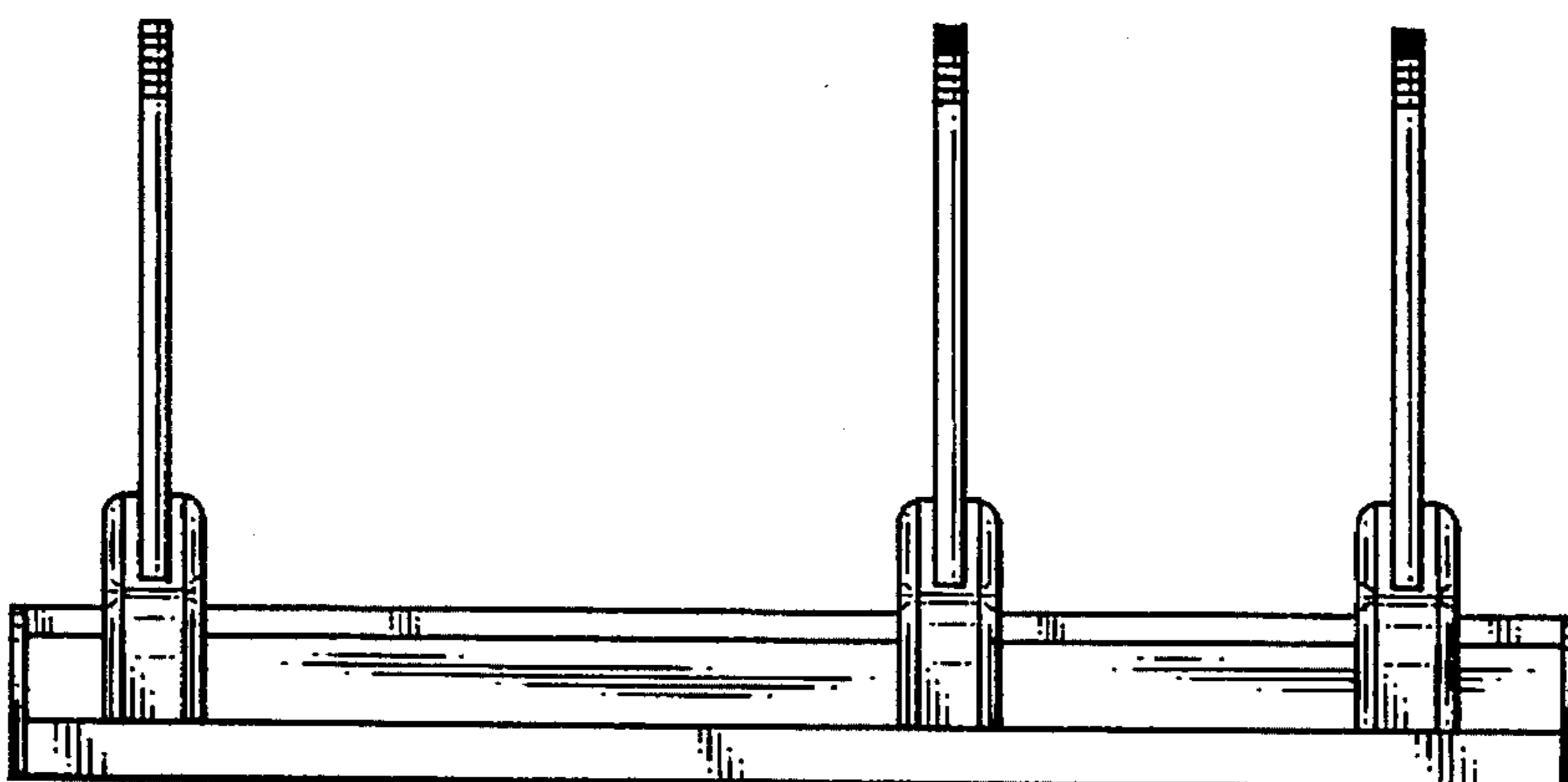


FIG. 4

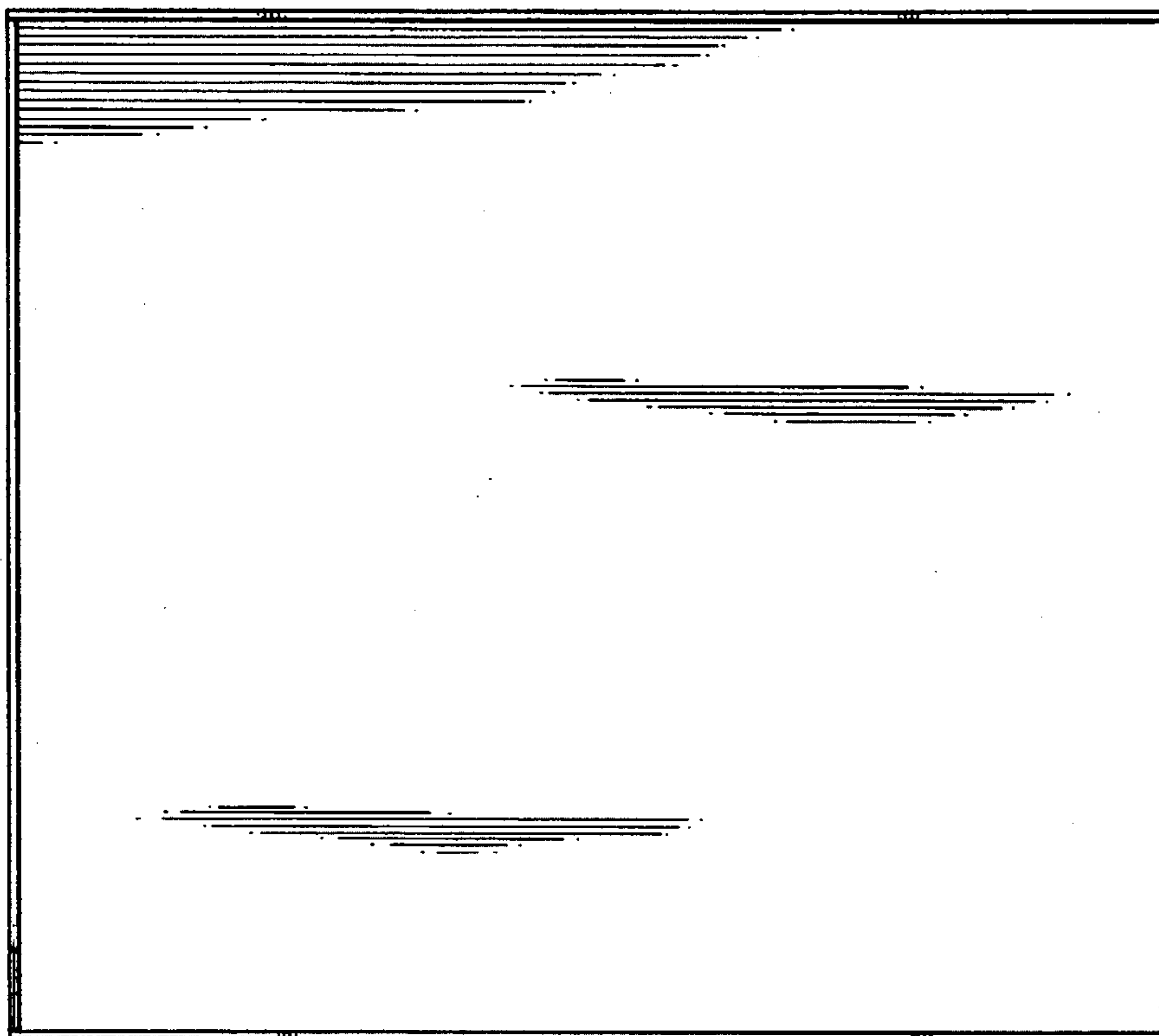


FIG. 5

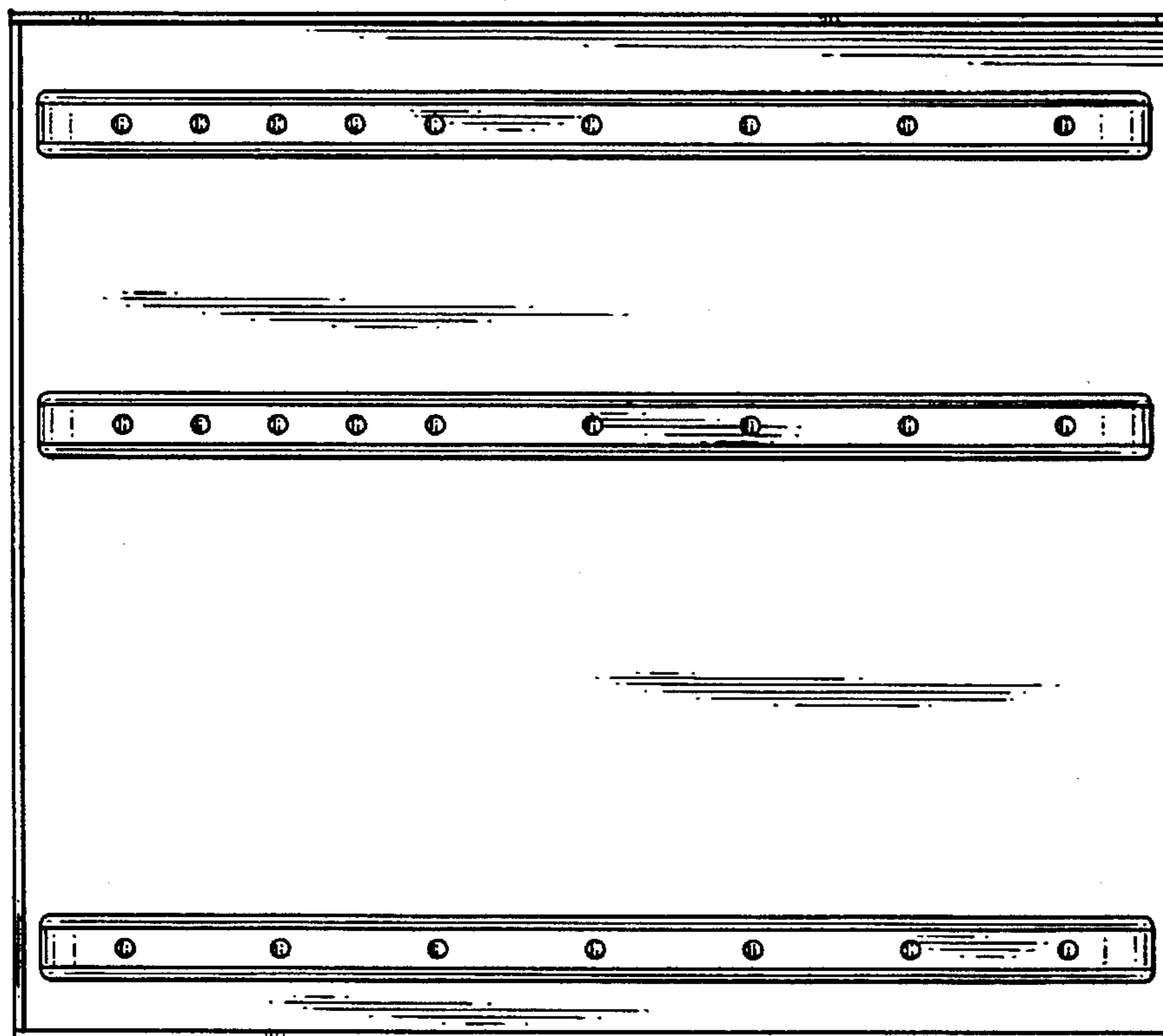


FIG. 6