



US00D369001S

United States Patent [19]

[11] Patent Number: **Des. 369,001**

Hedges

[45] Date of Patent: ****Apr. 16, 1996**

[54] **WATER BOX FOR PRE-PASTED WALLPAPER**

FOREIGN PATENT DOCUMENTS

1258173 2/1961 France 15/257.05

[76] Inventor: **John P. Hedges**, 3920 Prudence Dr., Sarasota, Fla. 34235

Primary Examiner—A. Hugo Word
Assistant Examiner—Robin V. Taylor

[**] Term: **14 Years**

[57] CLAIM

[21] Appl. No.: **31,640**

The ornamental design for the water box for pre-pasted wallpaper, as shown and described.

[22] Filed: **Dec. 1, 1994**

[52] U.S. Cl. **D32/53.1**

DESCRIPTION

[58] Field of Search D32/53, 53.1, D32/54; 15/260, 262, 264, 257.01, 257.05, 257.06; 220/697-702; 118/419

FIG. 1 is a front elevational view of the water box for pre-pasted wallpaper showing my new design; FIG. 2 is a rear elevational view thereof; FIG. 3 is a left side elevational view thereof; FIG. 4 is a right side elevational view thereof; FIG. 5 is a top plan view thereof; and FIG. 6 is a bottom plan view thereof; FIG. 7 is a cross-sectional view thereof taken in a central elevational plane of FIG. 1; and, FIG. 8 is an upper left side perspective view thereof.

[56] References Cited

U.S. PATENT DOCUMENTS

D. 157,213	2/1950	Stevens	D32/53.1
1,428,528	9/1922	Bryan	15/257.05
2,988,243	6/1961	Ames	220/701
4,676,188	6/1987	McCurdy	.	
5,040,483	8/1991	Lieberman	.	
5,050,529	9/1991	Pardee	.	
5,134,966	8/1992	Allen	.	
5,217,534	6/1993	Hernandez et al.	.	

1 Claim, 5 Drawing Sheets

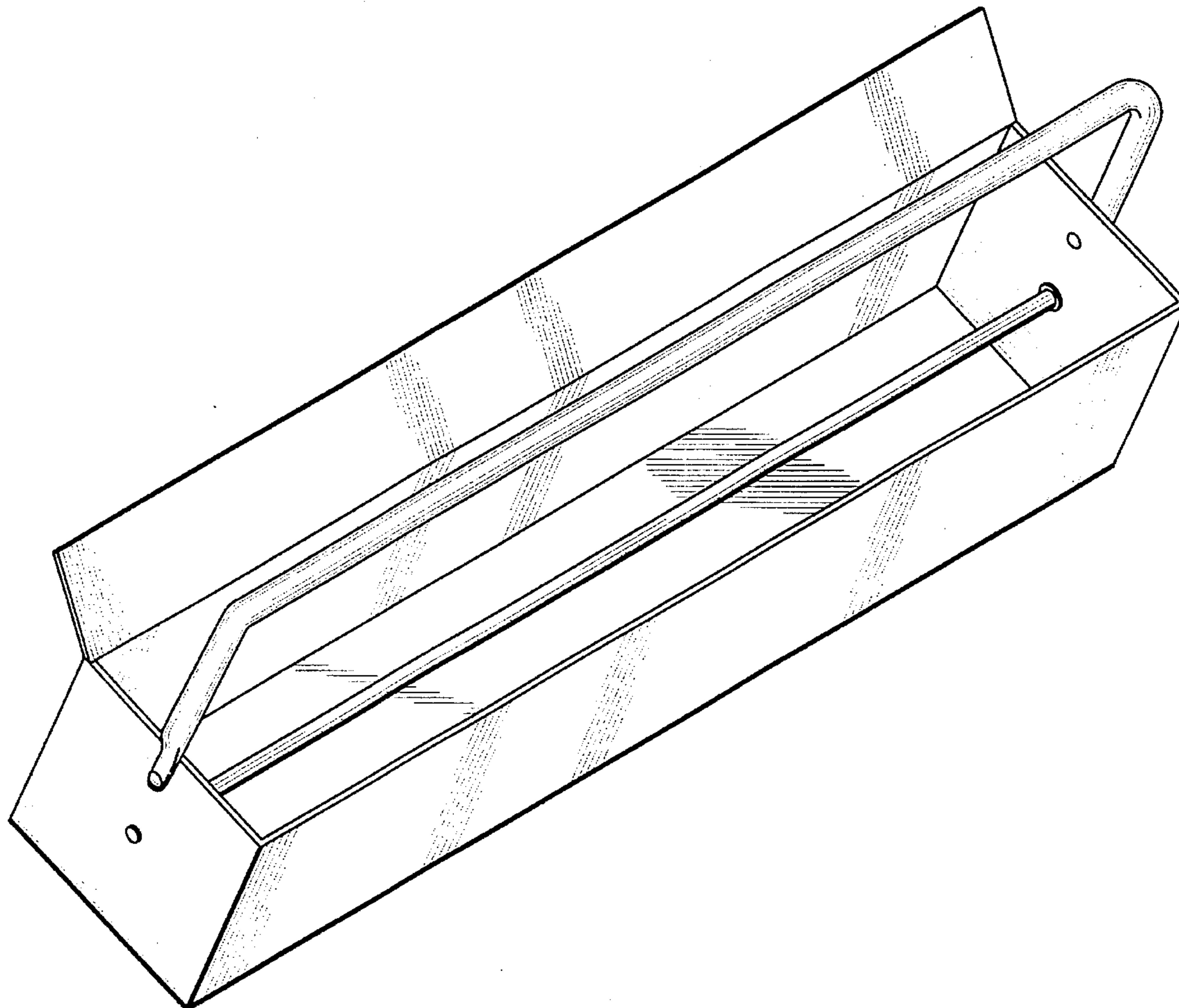


FIG. 1

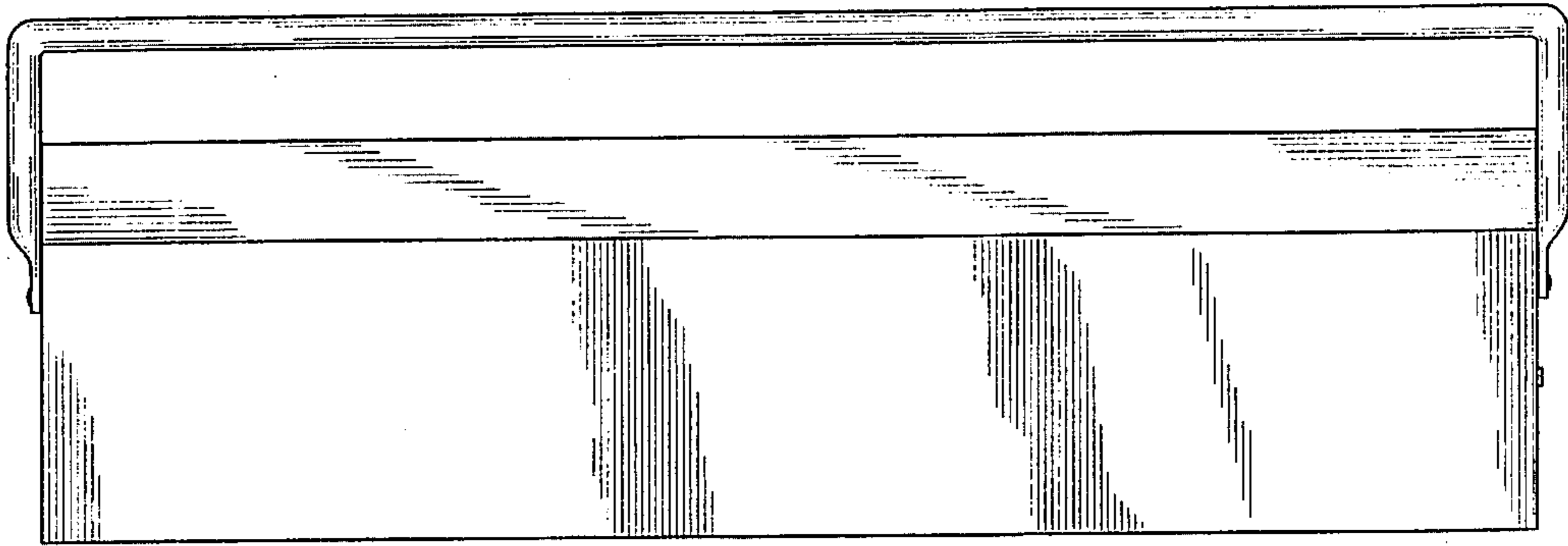


FIG. 2

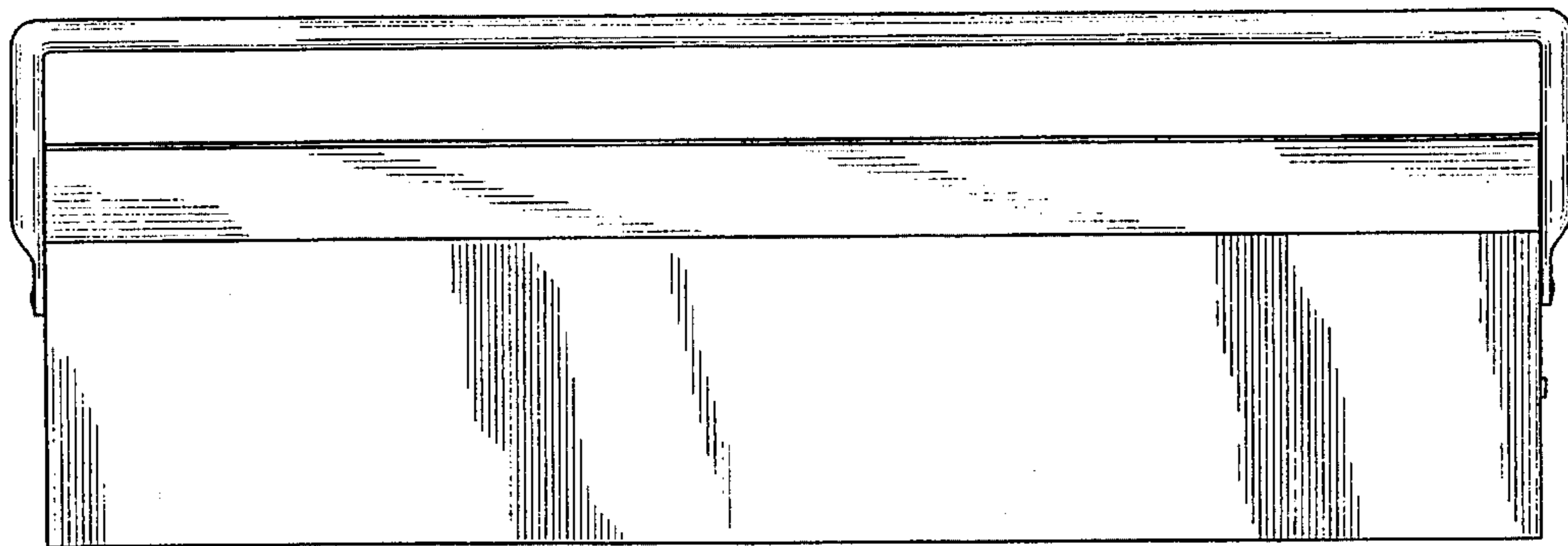


FIG. 3

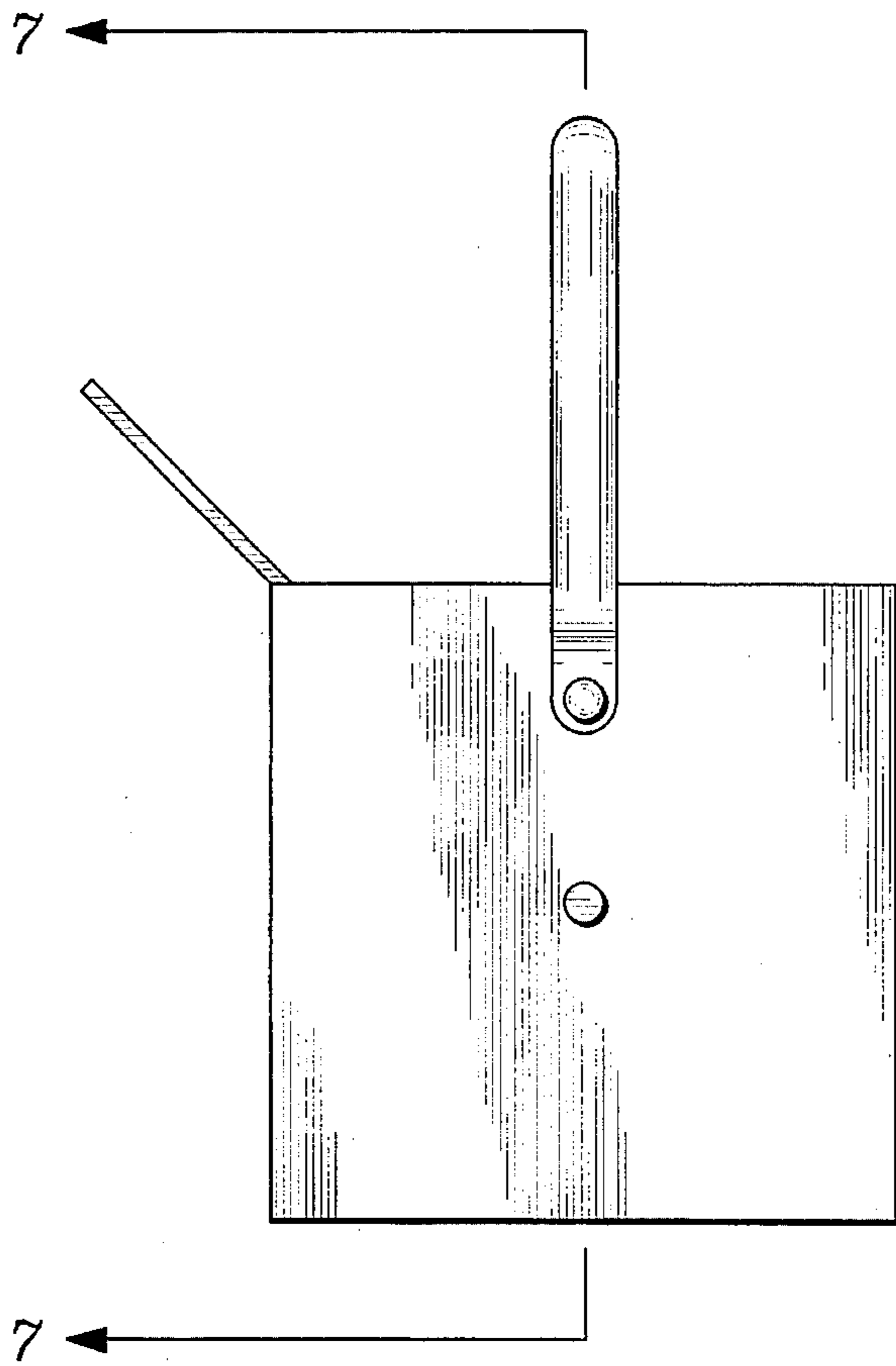


FIG. 4

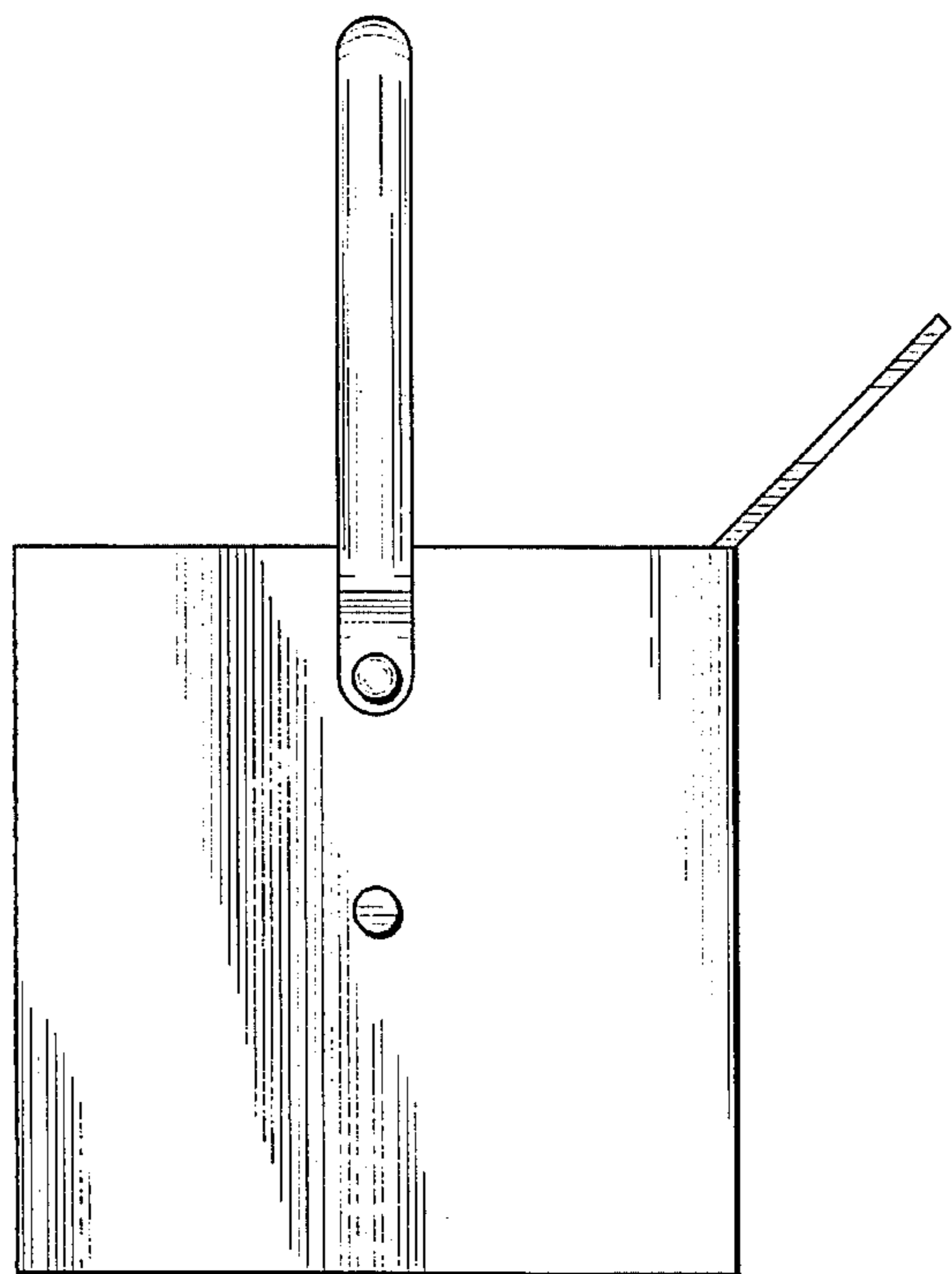


FIG. 5

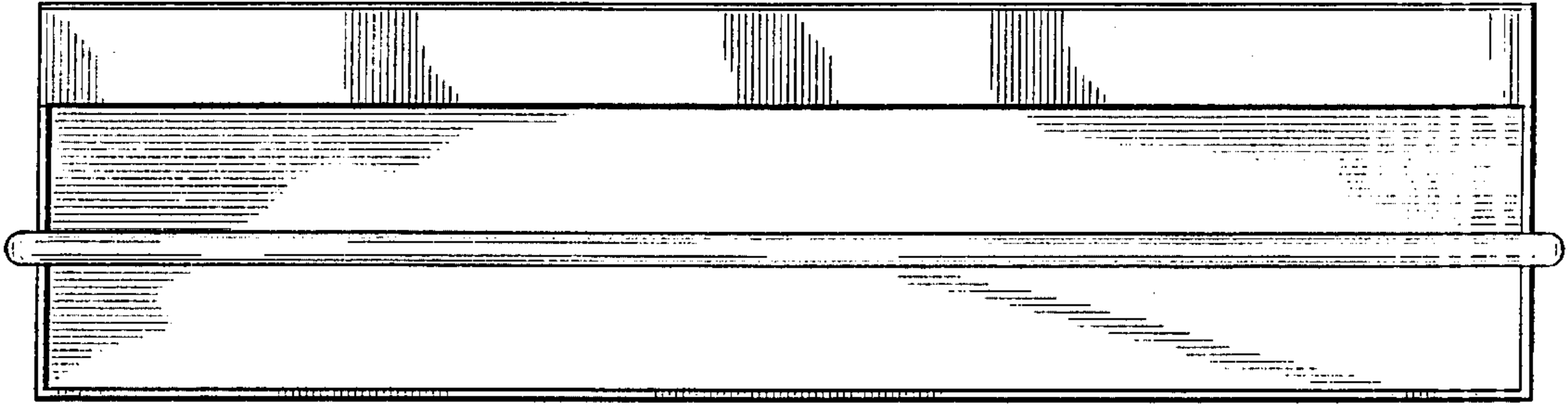


FIG. 6

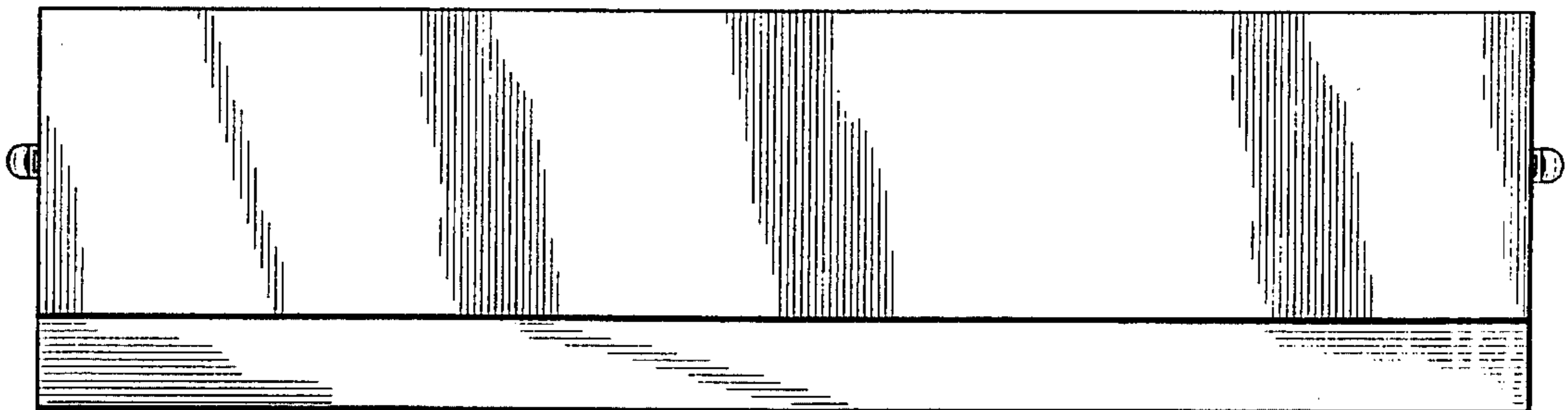


FIG. 7

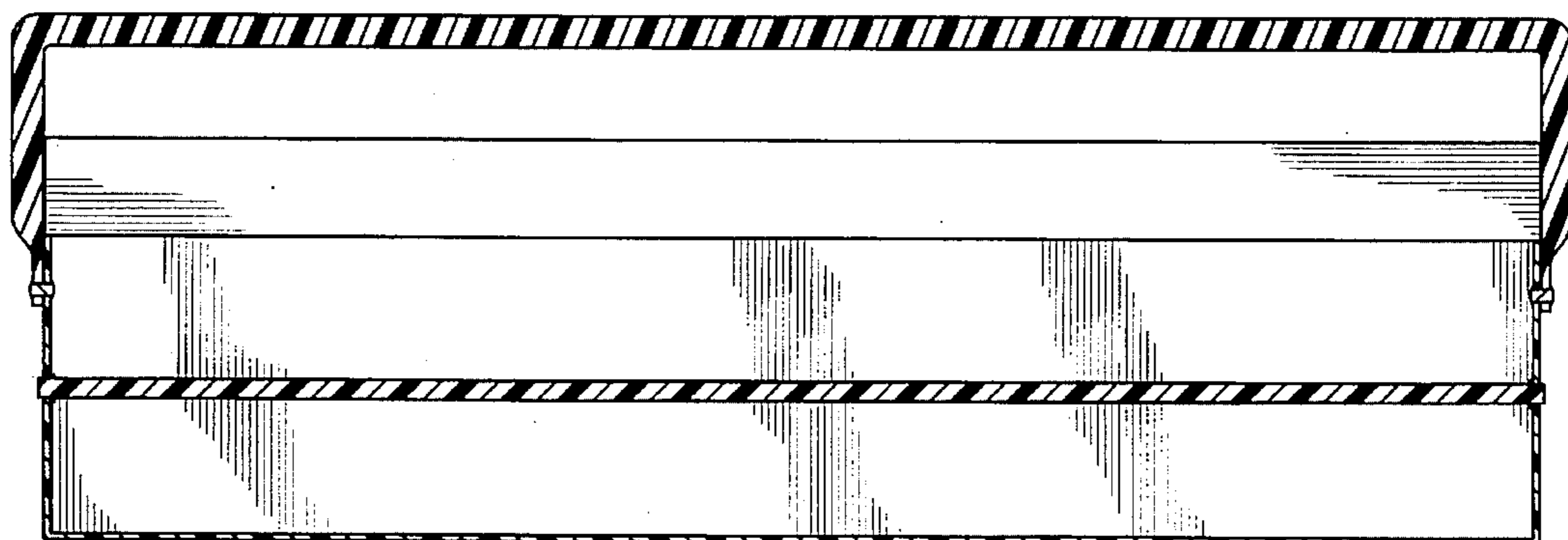


FIG. 8

