



US00D368998S

United States Patent [19] King

[11] Patent Number: **Des. 368,998**

[45] Date of Patent: ****Apr. 16, 1996**

[54] **PAINT CAN SCRAPER**

[76] Inventor: **Gary R. King**, 3324 Elmira Rd.,
Eugene, Oreg. 97402

[**] Term: **14 Years**

[21] Appl. No.: **36,750**

[22] Filed: **Mar. 27, 1995**

[52] U.S. Cl. **D32/46; D8/19**

[58] Field of Search **D32/35, 40, 41,
D32/42, 43, 47, 49, 48, 52; 15/236.01,
236.02-236.09, 237; D8/14, 18, 16, 19,
21, 33, 48, 89; 30/169**

[56] **References Cited**

U.S. PATENT DOCUMENTS

D. 243,312	2/1977	Chaney	D32/46
D. 246,283	11/1977	Saponith	D8/14
2,777,676	1/1957	Canter	15/236.09 X
2,860,858	11/1958	Kurs	15/236.09 X
4,628,563	12/1986	Kramer	15/236.1 X
4,930,177	6/1990	Rastutis	15/105

Primary Examiner—A. Hugo Word
Assistant Examiner—Cynthia E. Ramirez
Attorney, Agent, or Firm—Harold H. Dutton, Jr.

[57] **CLAIM**

The ornamental design for a paint can scraper, as shown and described.

DESCRIPTION

FIG. 1 is a perspective view of a paint can scraper showing my new design;
FIG. 2 is a perspective view thereof with a paint can shown in dotted lines;
FIG. 3 is a plan view thereof;
FIG. 4 is a left edge view thereof;
FIG. 5 is a right edge view thereof;
FIG. 6 is a top edge view thereof; and,
FIG. 7 is a bottom edge view thereof.

The broken line showing of the paint can is for illustrative purposes only and forms no part of the claimed design.

1 Claim, 3 Drawing Sheets

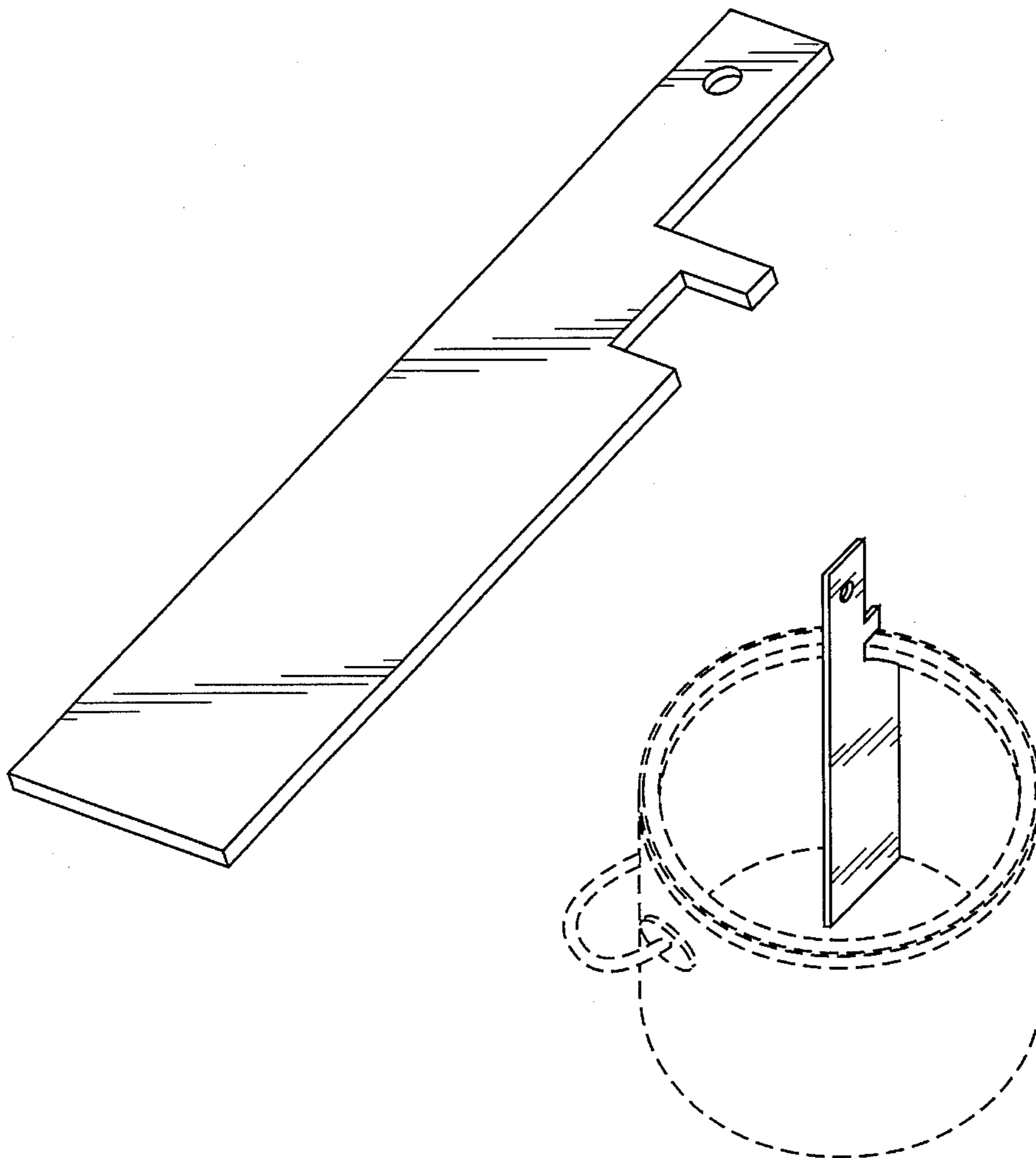


FIG. 1

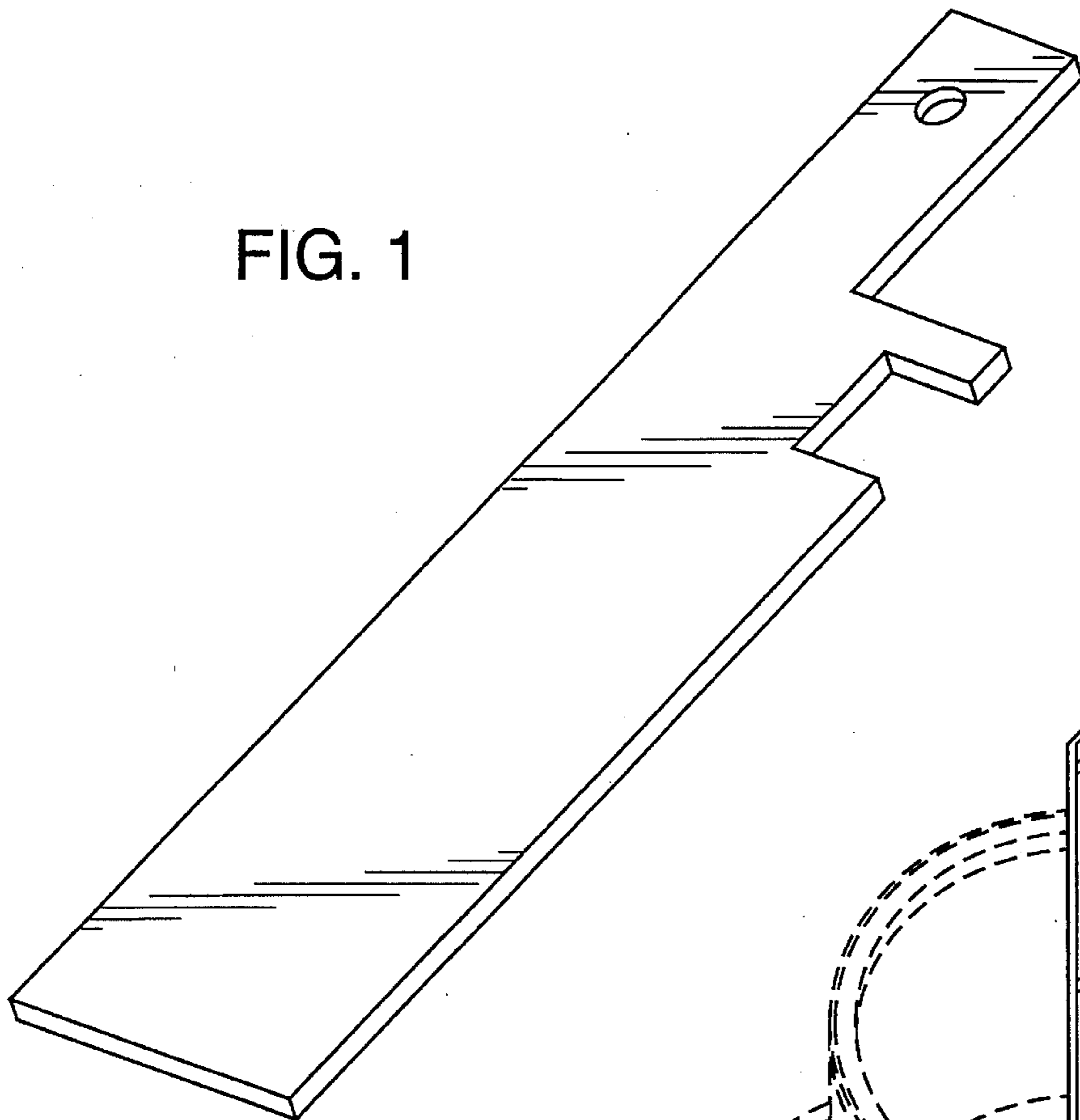


FIG. 2

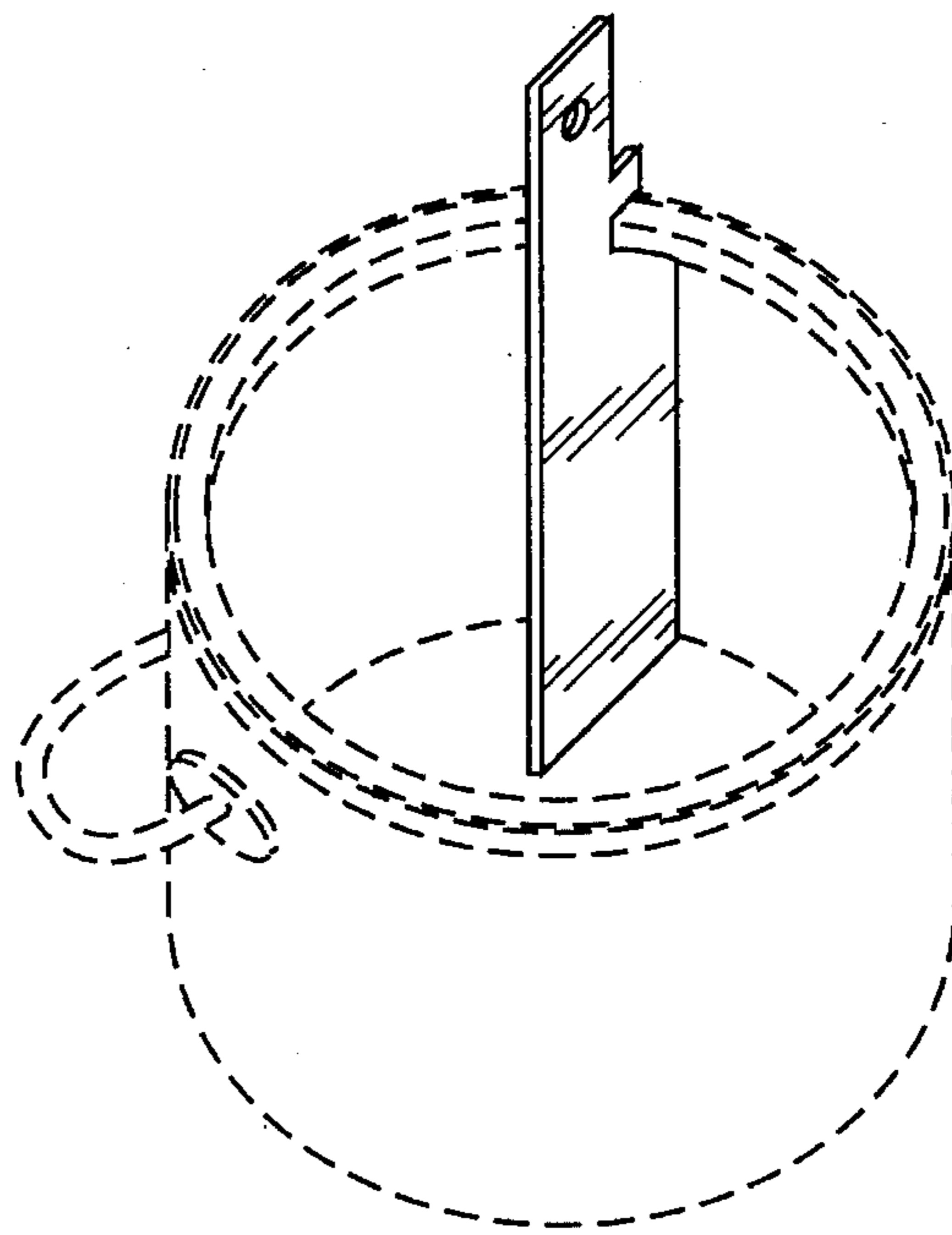


FIG. 3

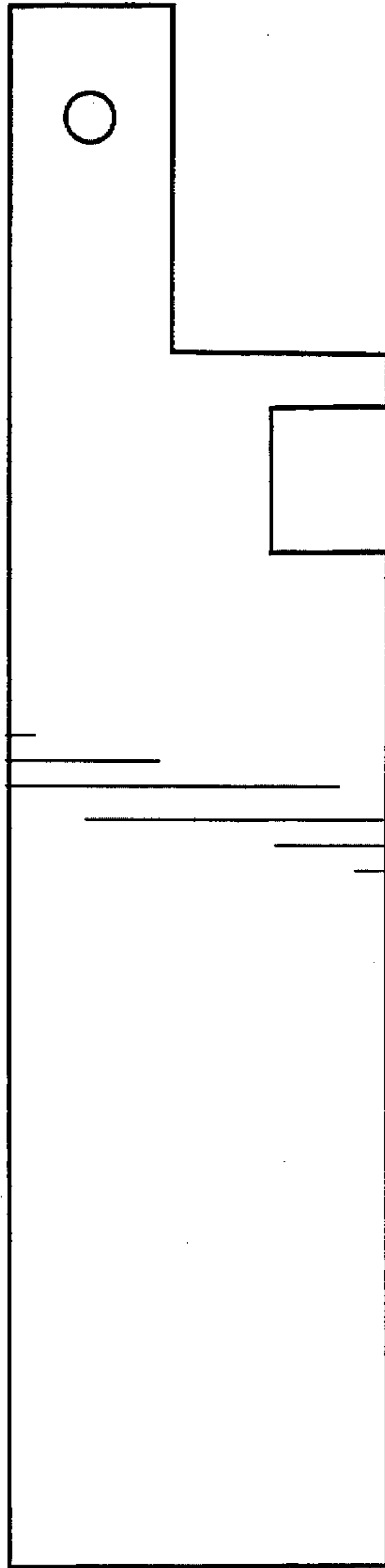


FIG. 4

FIG. 5





FIG. 6



FIG. 7