



US00D368995S

United States Patent [19]

Stryffeler

[11] Patent Number: Des. 368,995

[45] Date of Patent: **Apr. 16, 1996

[54] **POOL CLEANER NOZZLE**

[76] Inventor: **Judy L. Stryffeler**, 536 W. Maryland,
Sebring, Ohio 44672

[**] Term: **14 Years**

[21] Appl. No.: **29,339**

[22] Filed: **Oct. 3, 1994**

[52] U.S. Cl. **D32/32**

[58] Field of Search D32/32, 33; 15/1.7,
15/414, 415.1, 421; 239/106

2,740,153 4/1956 Bishop 15/415
 3,074,078 1/1963 Varian 4/172
 4,240,173 12/1980 Sherrill 15/1.7
 4,365,375 12/1982 Grodin et al. 15/1.7
 4,553,284 11/1985 Strumbos 15/414
 4,797,206 1/1989 Lynch 210/169

Primary Examiner—Ruth McInroy
 Attorney, Agent, or Firm—Calfee Halter & Griswold

[57] CLAIM

The ornamental design for a pool cleaner nozzle, as shown and described.

DESCRIPTION

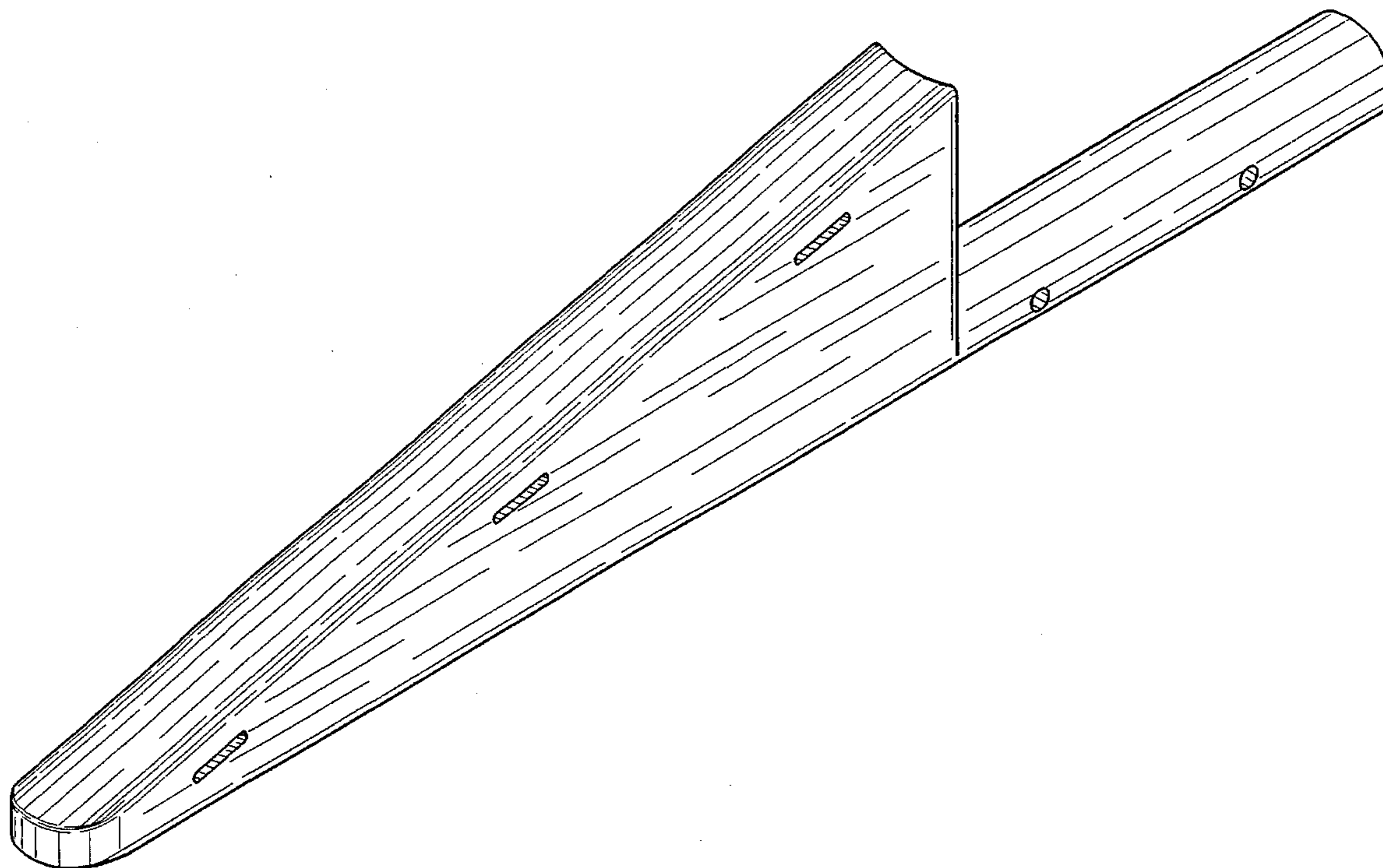
FIG. 1 is a perspective view of a pool cleaner nozzle showing my new design;
 FIG. 2 is a side elevational view thereof;
 FIG. 3 is a top plan view thereof;
 FIG. 4 is a bottom plan view thereof;
 FIG. 5 is a front elevational view thereof; and,
 FIG. 6 is a rear elevational view thereof.

1 Claim, 3 Drawing Sheets

[56] **References Cited**

U.S. PATENT DOCUMENTS

D. 147,125	7/1947	Harrout	D32/32
D. 158,774	5/1950	Lippincott	D32/32
D. 200,093	1/1965	Frost	D32/32
D. 243,610	3/1977	Craig	D32/15
D. 244,532	5/1977	Poston	D32/15
D. 279,227	6/1985	Price	D32/33
D. 303,026	8/1989	Kilakis	D32/32
2,068,496	1/1937	Linghammar	15/155



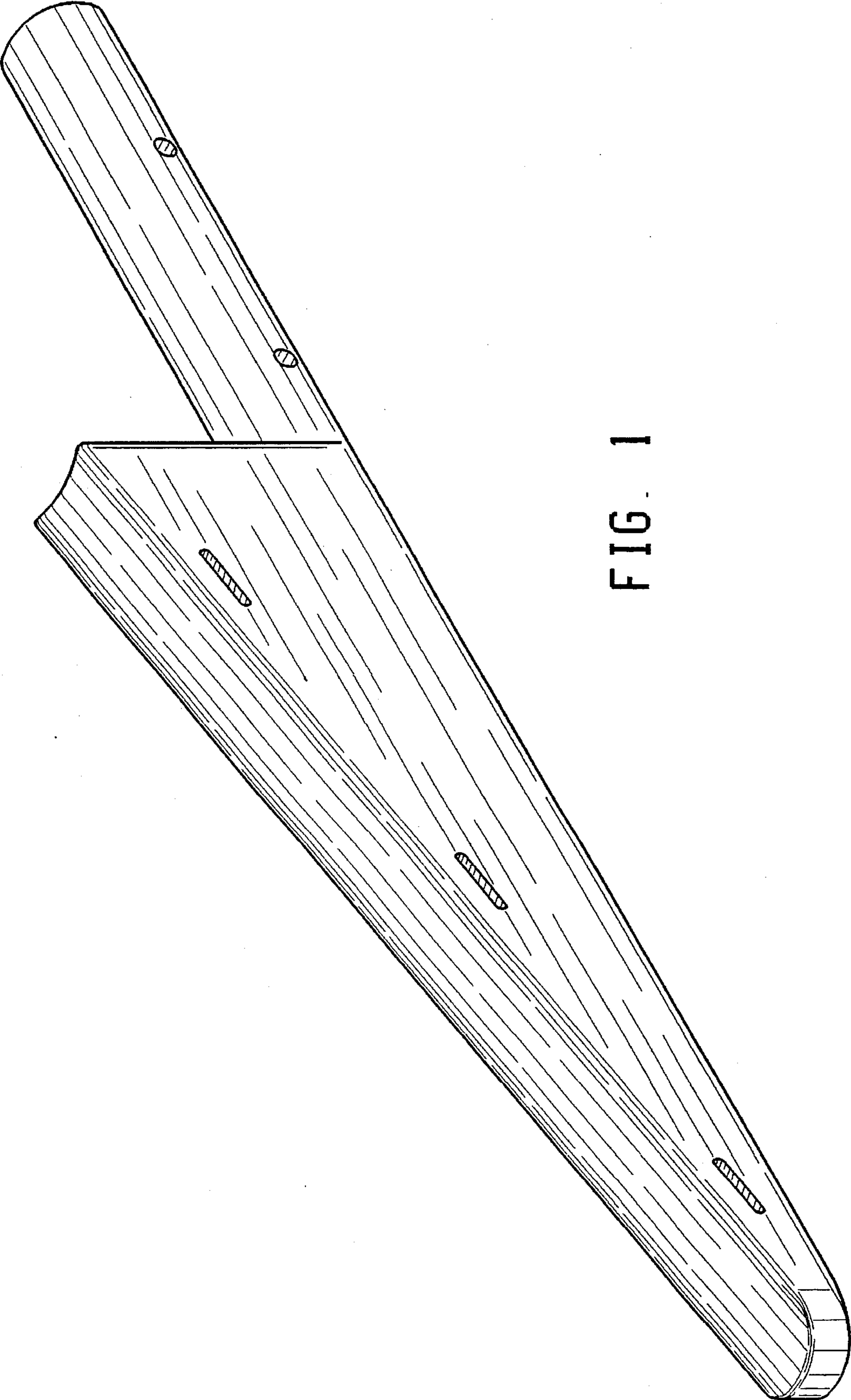


FIG. 1

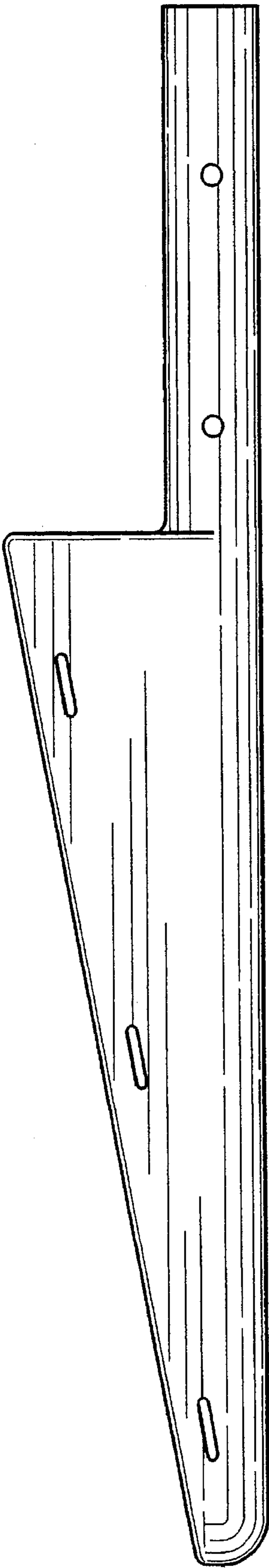


FIG. 2

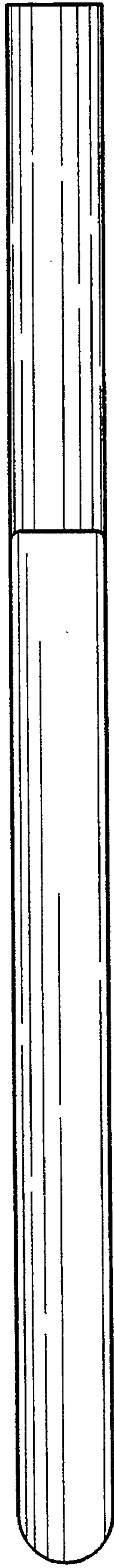


FIG. 3

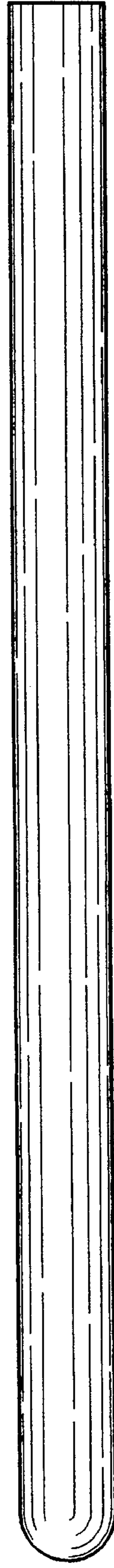


FIG. 4



FIG. 5

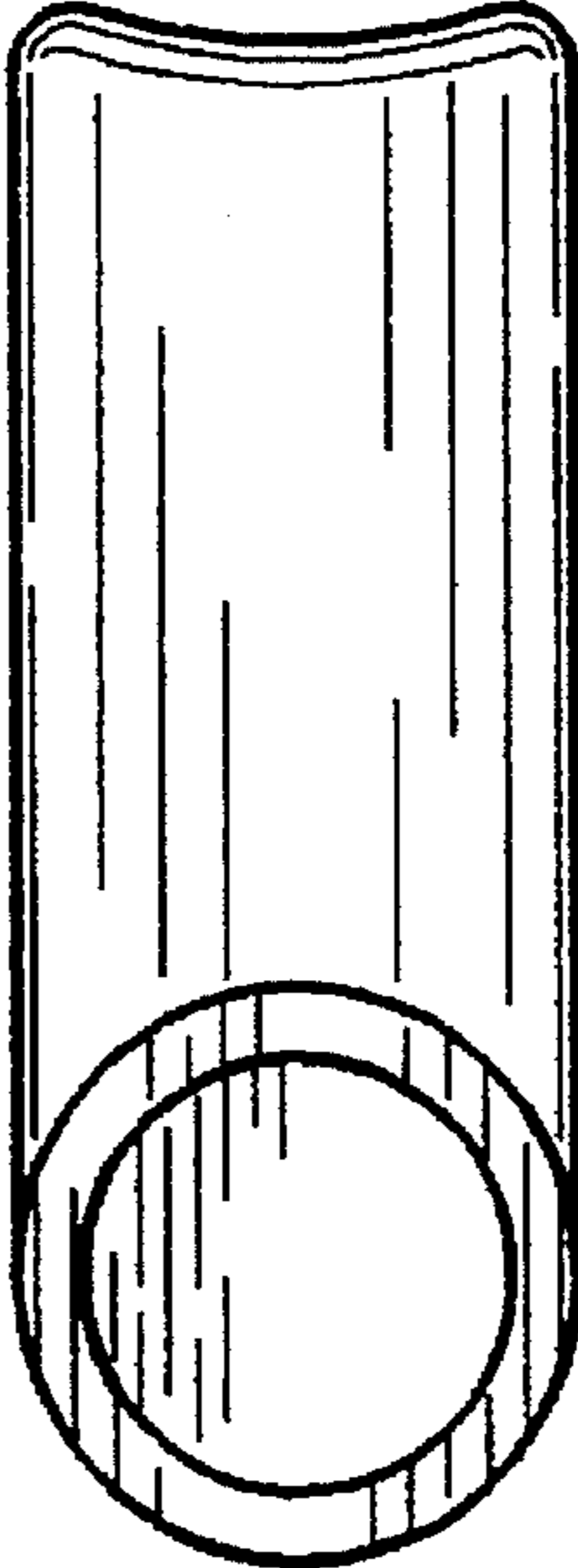


FIG. 6