



US00D368990S

United States Patent [19]

Thomas

[11] Patent Number: **Des. 368,990**

[45] Date of Patent: ****Apr. 16, 1996**

[54] **HORSE STALL TOY**

[76] Inventor: **Rachel A. Thomas**, P.O. Box 4637, Huachura City, Ariz. 85616

[**] Term: **14 Years**

[21] Appl. No.: **628**

[22] Filed: **Oct. 29, 1992**

[52] U.S. Cl. **D30/160; D24/194**

[58] **Field of Search** D7/398, 512, 669, D7/700, 558; D24/193, 140, 194; 606/234-235; 119/700, 706-707, 709-711; 206/372; 273/417; D16/135; D3/38, 30.1; D22/108; 42/74; 248/188.8; 2/59; D32/31, 23, 33; D1/116, 106, 124, 118; 132/333; D8/402; D14/204; 426/104, 143, 514; 181/177; D6/607; D9/434; D19/73

[56] **References Cited**

U.S. PATENT DOCUMENTS

D. 255,363	6/1980	Johansson	D16/135
D. 292,940	12/1987	DiPietro	D1/124
D. 300,343	3/1989	Gannon	D22/108
1,079,067	11/1913	Shaw	D7/512
1,113,660	10/1914	Lerio	D7/512
1,587,960	6/1926	Jorgensen	606/235
1,835,719	12/1931	Parr	D1/118
2,755,477	7/1956	Hubbman	2/59
3,488,772	1/1970	Sturm	132/333
3,596,754	8/1971	Peterson, Jr.	D3/30.1
4,262,909	4/1981	Becker et al.	273/417
4,825,812	5/1989	Visalli et al.	119/709
5,207,420	5/1993	Crawford	119/707
5,239,717	8/1993	Sue	2/59

FOREIGN PATENT DOCUMENTS

2402346	7/1975	Germany	119/709
2710576	9/1978	Germany	119/709
611811	10/1960	Italy	248/188.8
6472	5/1885	United Kingdom	2/59
6059	3/1907	United Kingdom	2/59
16472	8/1908	United Kingdom	2/59
9570	7/1912	United Kingdom	606/234
645167	10/1950	United Kingdom	606/235

OTHER PUBLICATIONS

Till Engineering Handbook of Design; ©1947; Item 14 in FIG. 1.
Wholesale Veterinary Supply Catalog-Companion Animal Edition; p. 139 #50335 & #07366 Horse Stall Toys; (Horse Pet Catalogs).
Sinclair & Rush, Inc. Catalog; p. 6; Vinyl Grips.
Manny's Mailbox Music Catalog; Summer/Fall 1992; p. 101; Cowbell-CP148.

Primary Examiner—Cathy Anne MacCormac

[57] **CLAIM**

The ornamental design for a horse stall toy, as shown and described.

DESCRIPTION

FIG. 1 is a front elevational view of the horse stall toy showing my new design;
FIG. 2 is a rear elevational view thereof;
FIG. 3 is a left side elevational view thereof;
FIG. 4 is a right side elevational view thereof;
FIG. 5 is a top plan view thereof; and,
FIG. 6 is a bottom plan view thereof.

1 Claim, 3 Drawing Sheets

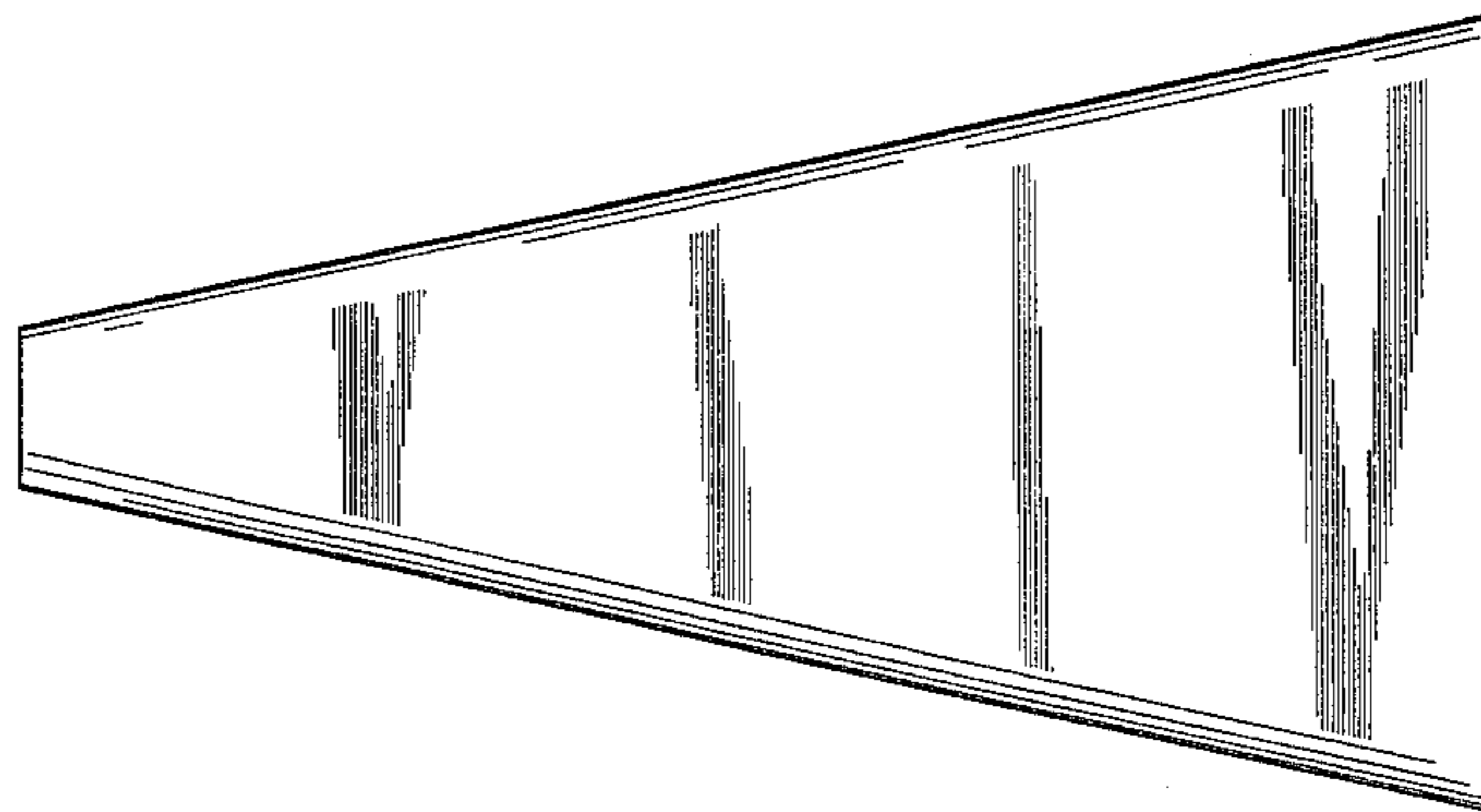


FIG. 1

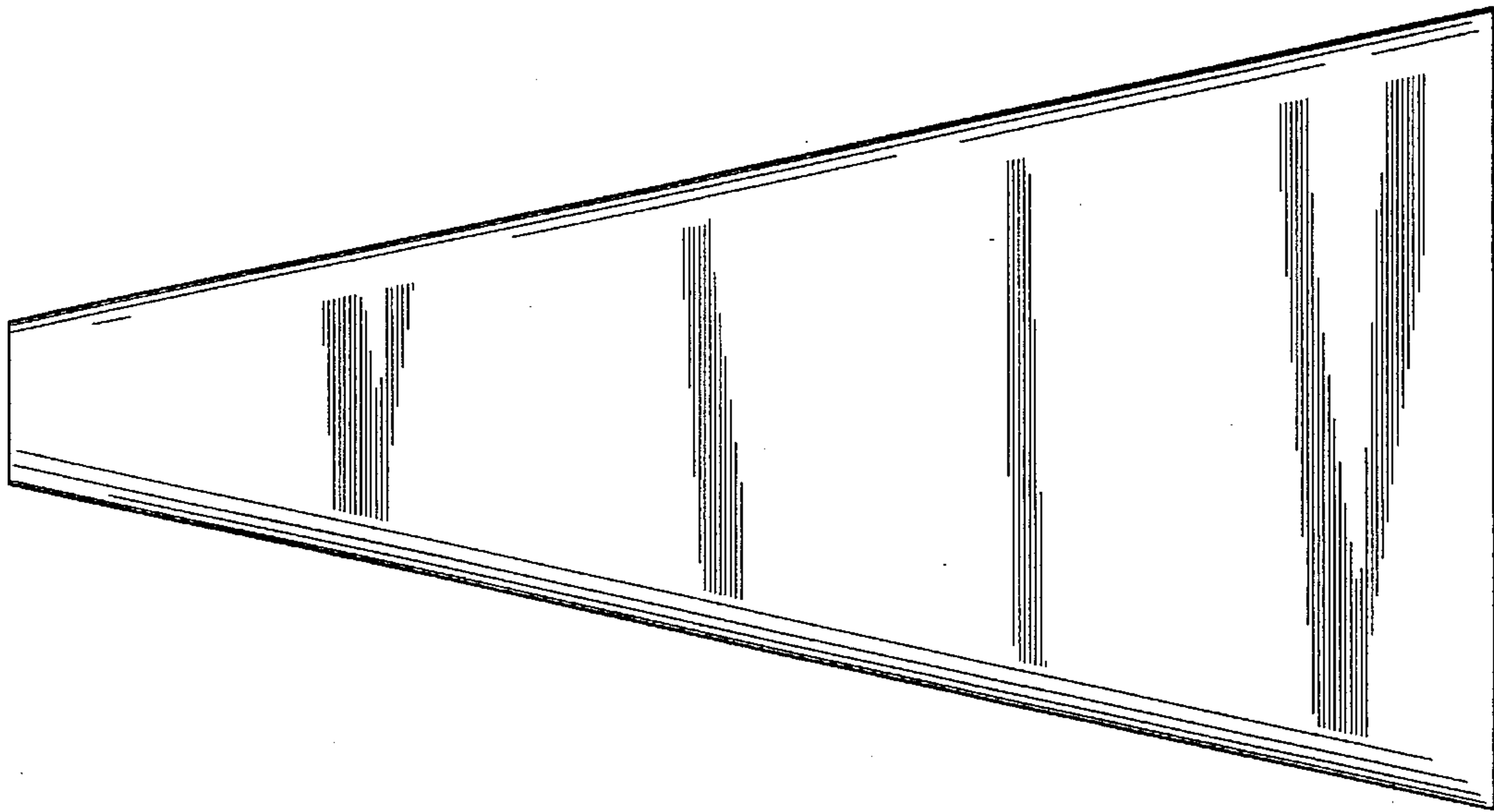


FIG. 2

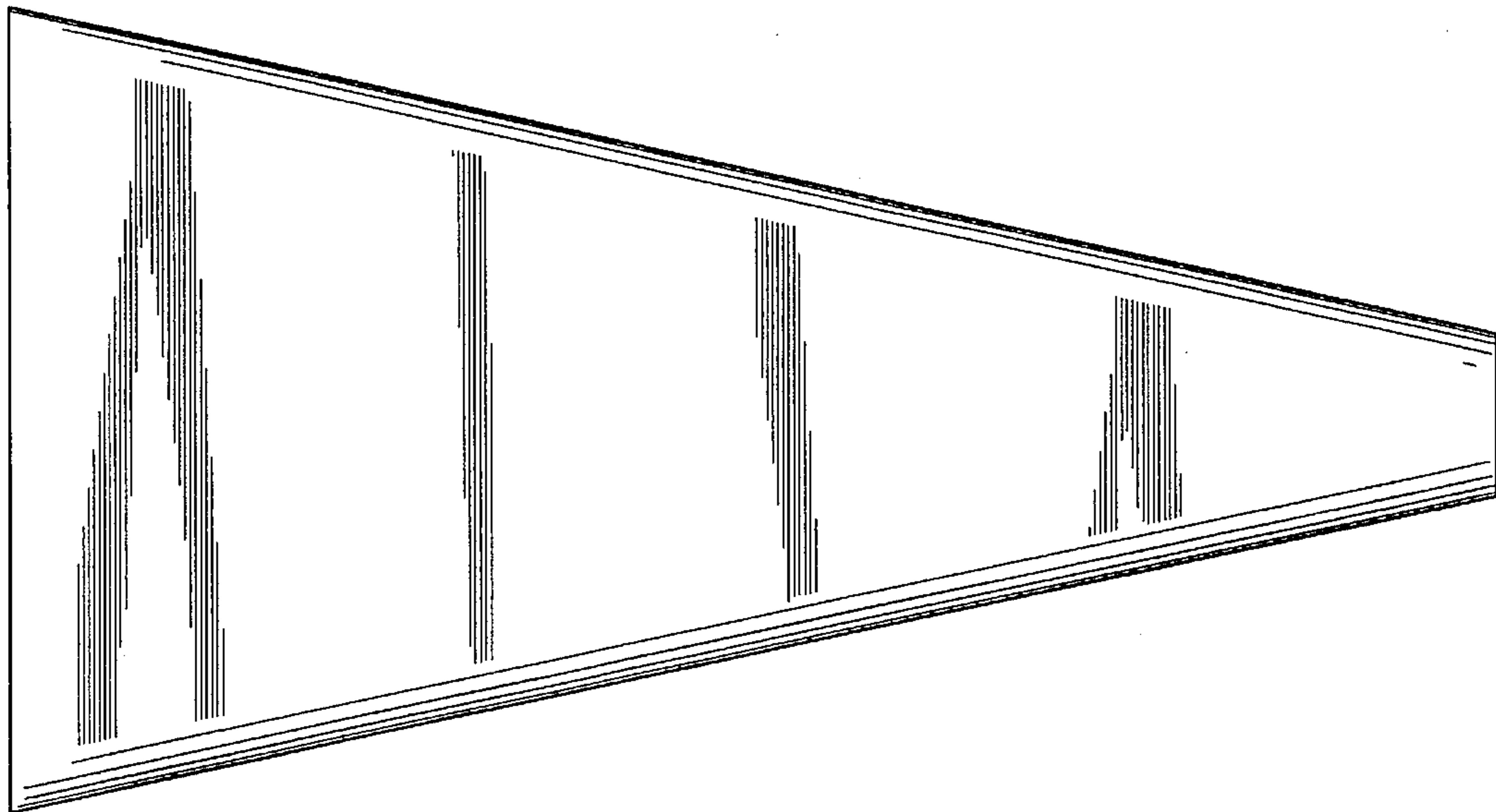


FIG. 3

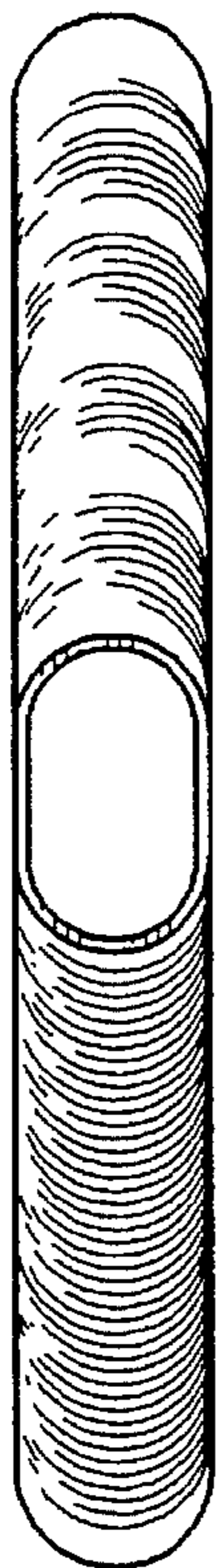


FIG. 4

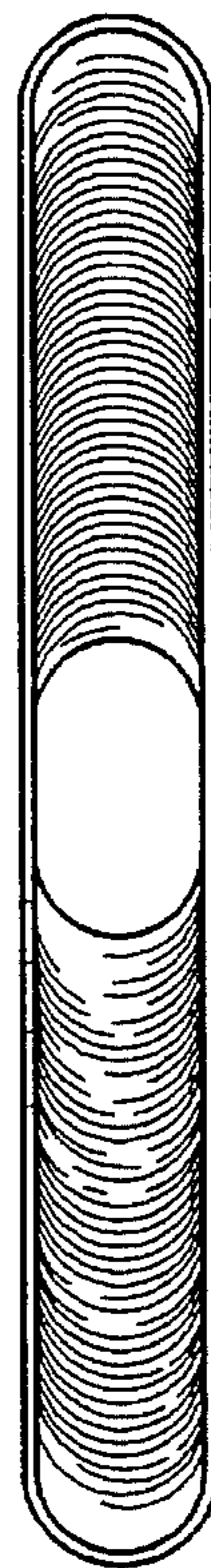


FIG. 5

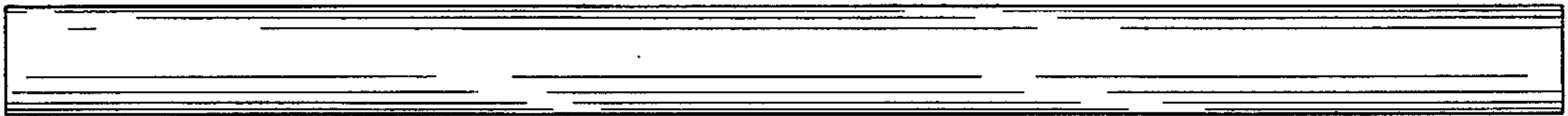


FIG. 6

