



US00D368988S

United States Patent [19]

Lonnstedt

[11] Patent Number: **Des. 368,988**

[45] Date of Patent: ****Apr. 16, 1996**

[54] **SWIVEL ARM ATTACHMENT FOR A HELMET**

[76] Inventor: **Bo G. Lonnstedt**, Kvarnbergsvagan 23, S-141 45 Huddinge, Sweden

[**] Term: **14 Years**

[21] Appl. No.: **12,440**

[22] Filed: **Sep. 2, 1993**

[30] Foreign Application Priority Data

Mar. 2, 1993 [SE] Sweden 93-0513

[52] U.S. Cl. **D29/122**

[58] Field of Search D29/107-108, D29/103, 122, 112; 2/6.1, 6.2, 410, 423

[56] References Cited

U.S. PATENT DOCUMENTS

D. 193,381 8/1962 Churchill D29/103

D. 202,097 8/1965 Gilbert D29/103
D. 323,225 1/1992 Gallet D29/107
D. 343,258 1/1994 Greer D29/103

Primary Examiner—Ralf Seifert
Attorney, Agent, or Firm—Young & Thompson

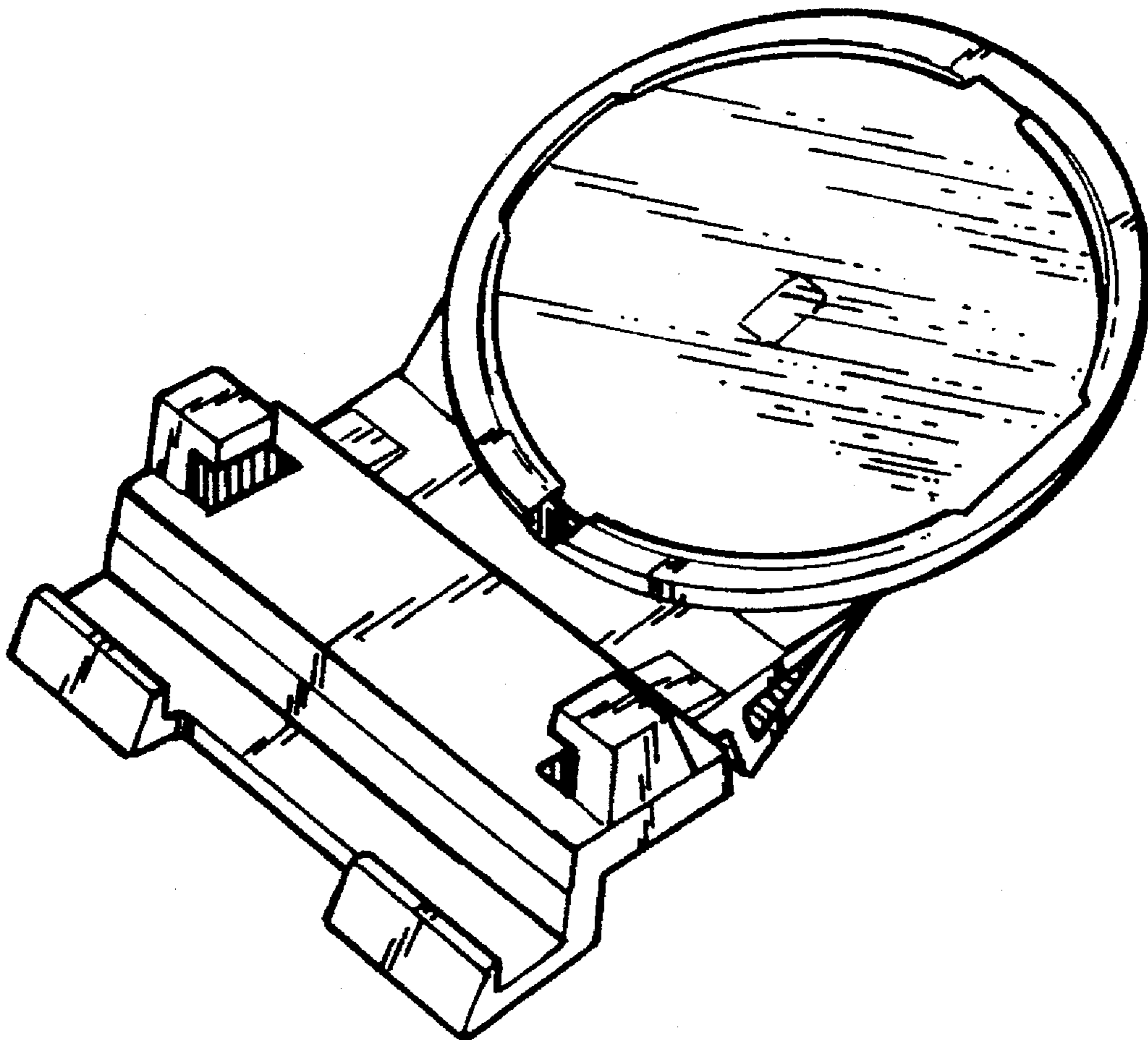
[57] CLAIM

The ornamental design for a swivel arm attachment for a helmet, as shown and described.

DESCRIPTION

FIG. 1 is an elevational view of a swivel arm attachment for a helmet, showing my new design; FIG. 2 is an elevational view seen from the right side thereof, the opposite side being a mirror image; and, FIG. 3 is a perspective view of the side opposite that shown in FIG. 1.

1 Claim, 1 Drawing Sheet



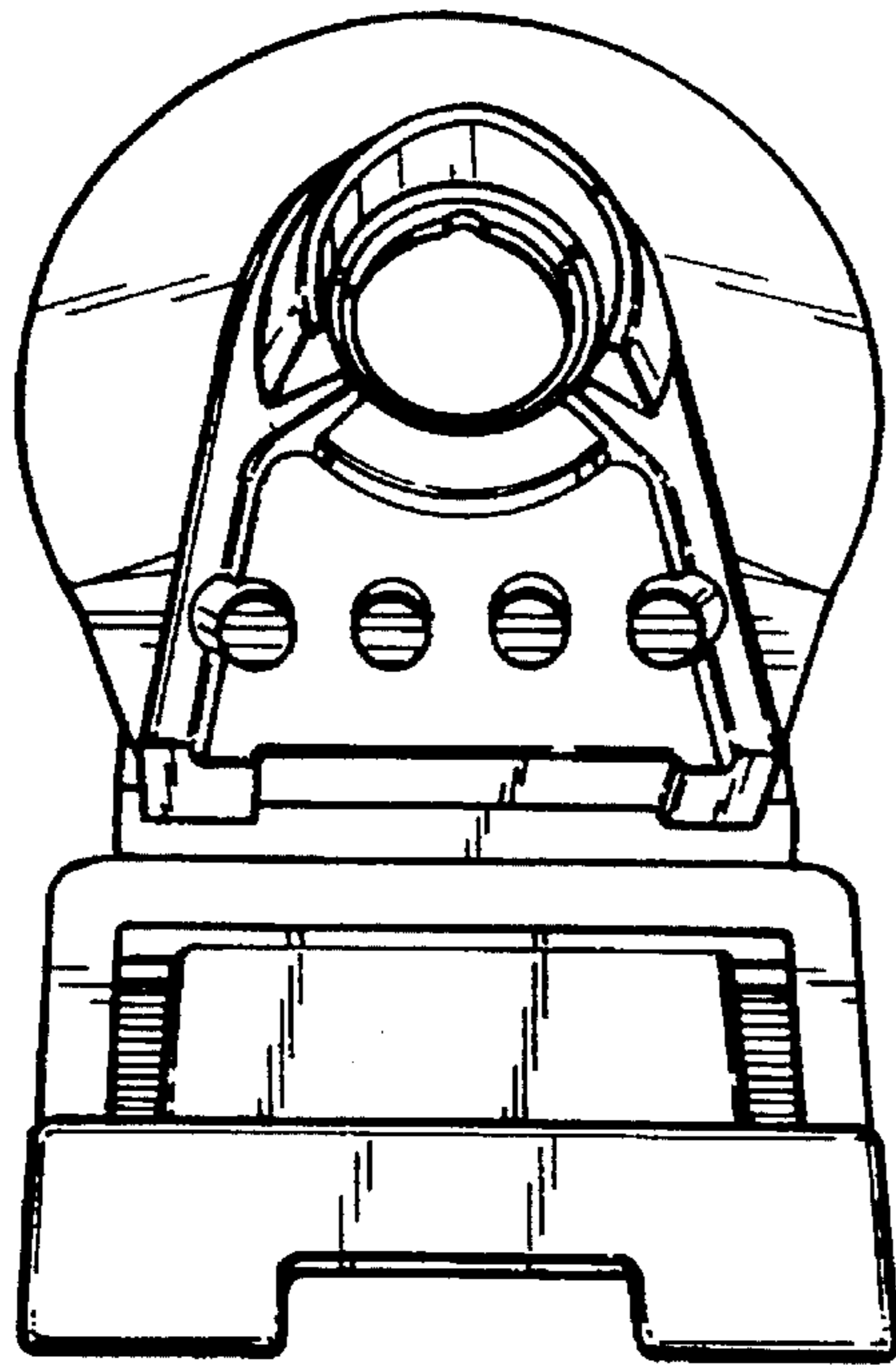


FIG. 1

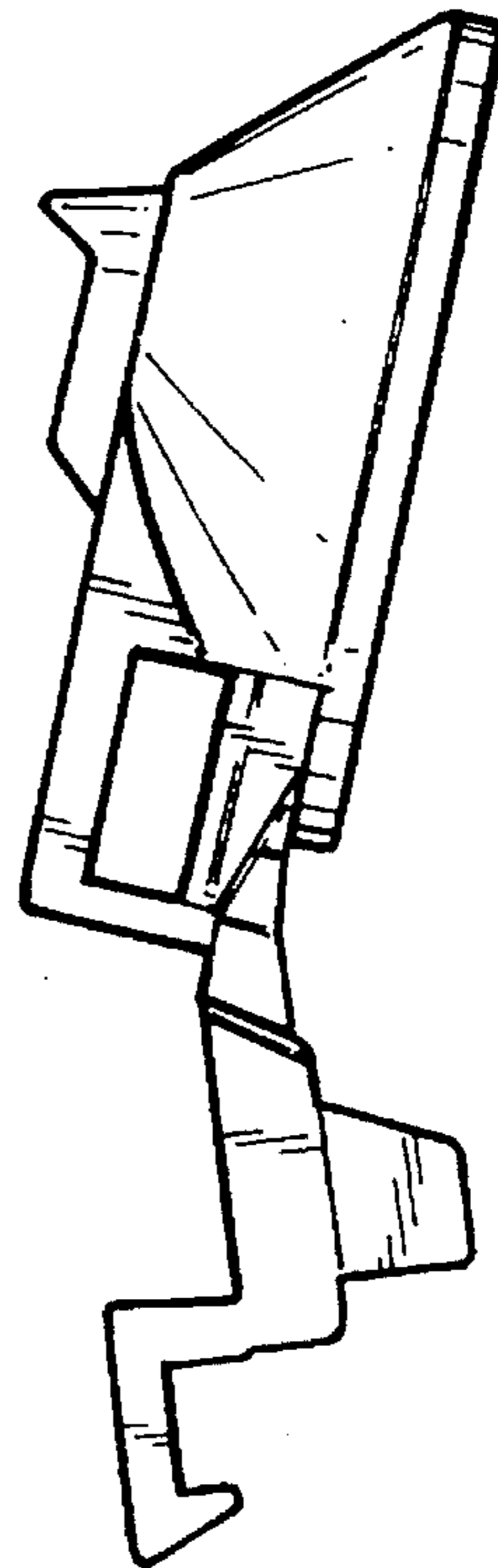


FIG. 2

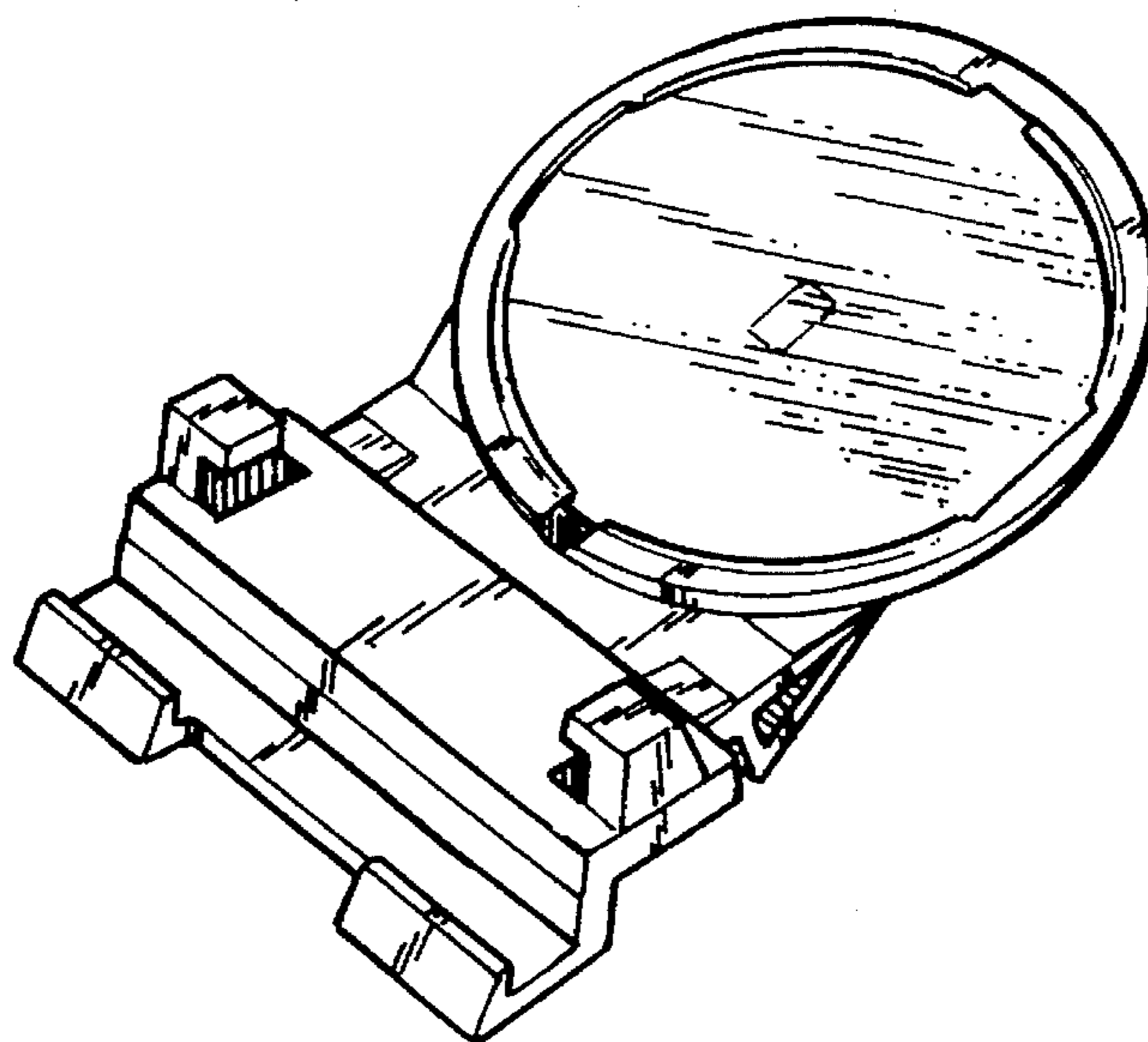


FIG. 3