



US00D368974S

United States Patent [19]

Belisle

[11] Patent Number: **Des. 368,974**

[45] Date of Patent: ****Apr. 16, 1996**

[54] **SUSPENDED PRISMAIRE LIGHTING
FIXTURE**

D. 321,408 11/1991 Hughes et al. D26/85
D. 332,504 1/1993 Ewing et al. D26/88
4,903,180 2/1990 Taylor et al. 362/340 X

[75] Inventor: **William W. Belisle**, Newark, Ohio

[73] Assignee: **Holophane Corporation**, Newark, Ohio

[**] Term: **14 Years**

Primary Examiner—Susan J. Lucas
Attorney, Agent, or Firm—Brooks & Kushman

[21] Appl. No.: **29,781**

[57] **CLAIM**

The ornamental design for a suspended prismaire lighting fixture, as shown.

[22] Filed: **Oct. 17, 1994**

DESCRIPTION

[52] U.S. Cl. **D26/88**

[58] Field of Search D2/72, 80-86,
D2/88, 89, 90; 362/147, 404-408, 341,
344, 350, 351, 326, 327, 329, 334, 337,
338

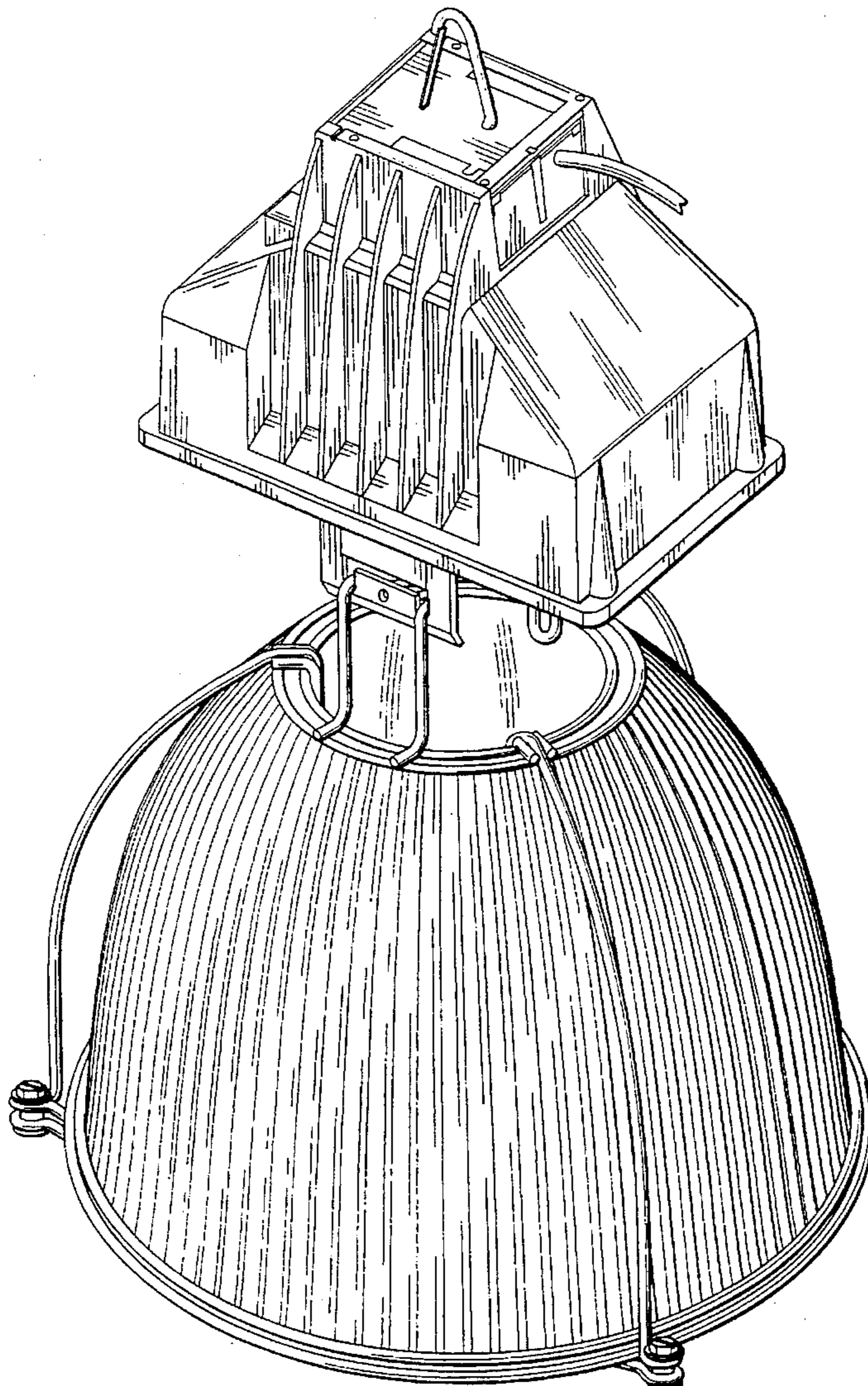
FIG. 1 is a front elevational view of my new design;
FIG. 2 is a right side elevational view;
FIG. 3 is a rear elevational view;
FIG. 4 is a left side elevational view;
FIG. 5 is a top plan view;
FIG. 6 is a bottom plan view; and,
FIG. 7 is a perspective view thereof.

[56] **References Cited**

U.S. PATENT DOCUMENTS

D. 298,862 12/1988 Tharp et al. D26/88

1 Claim, 6 Drawing Sheets



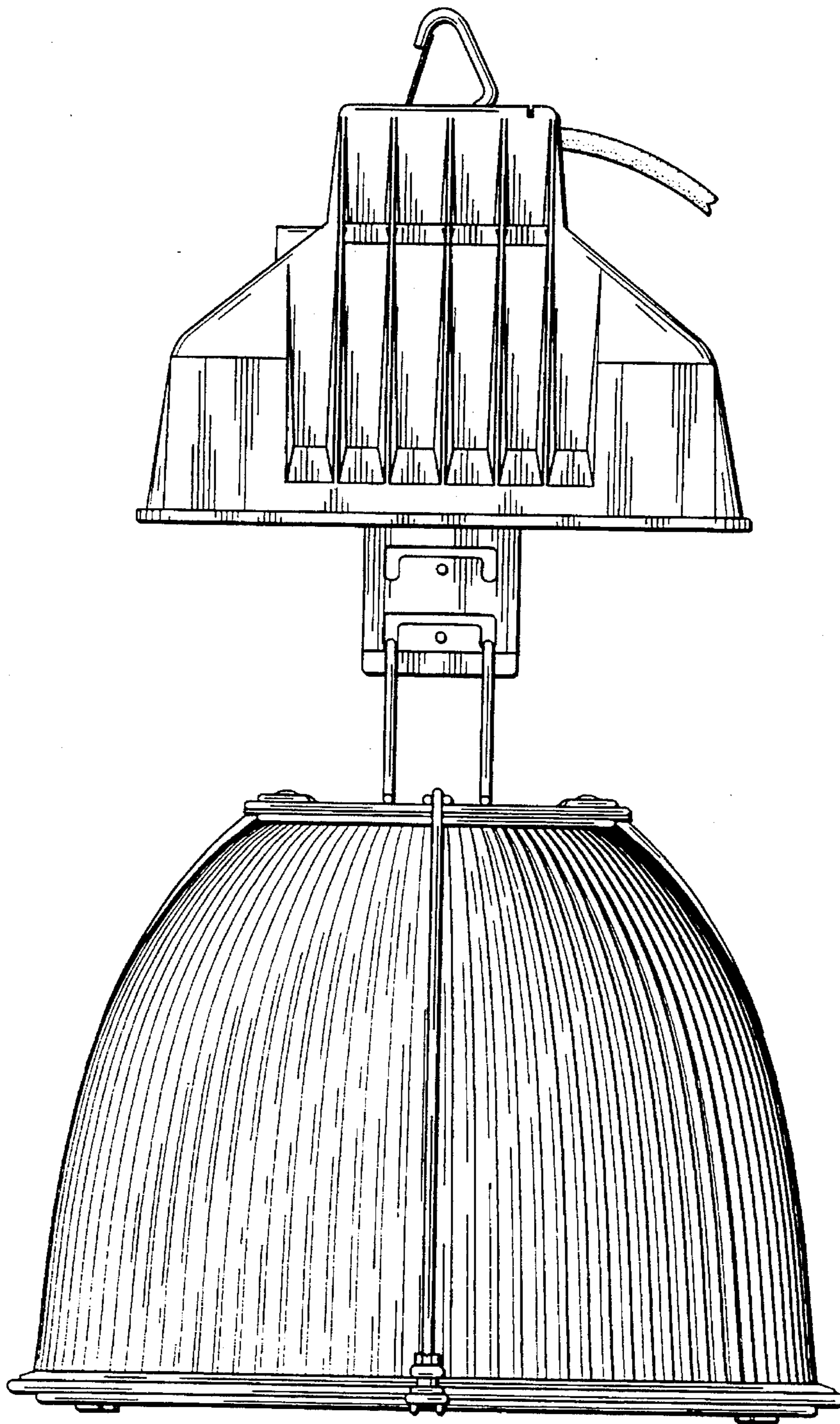


Fig. 1

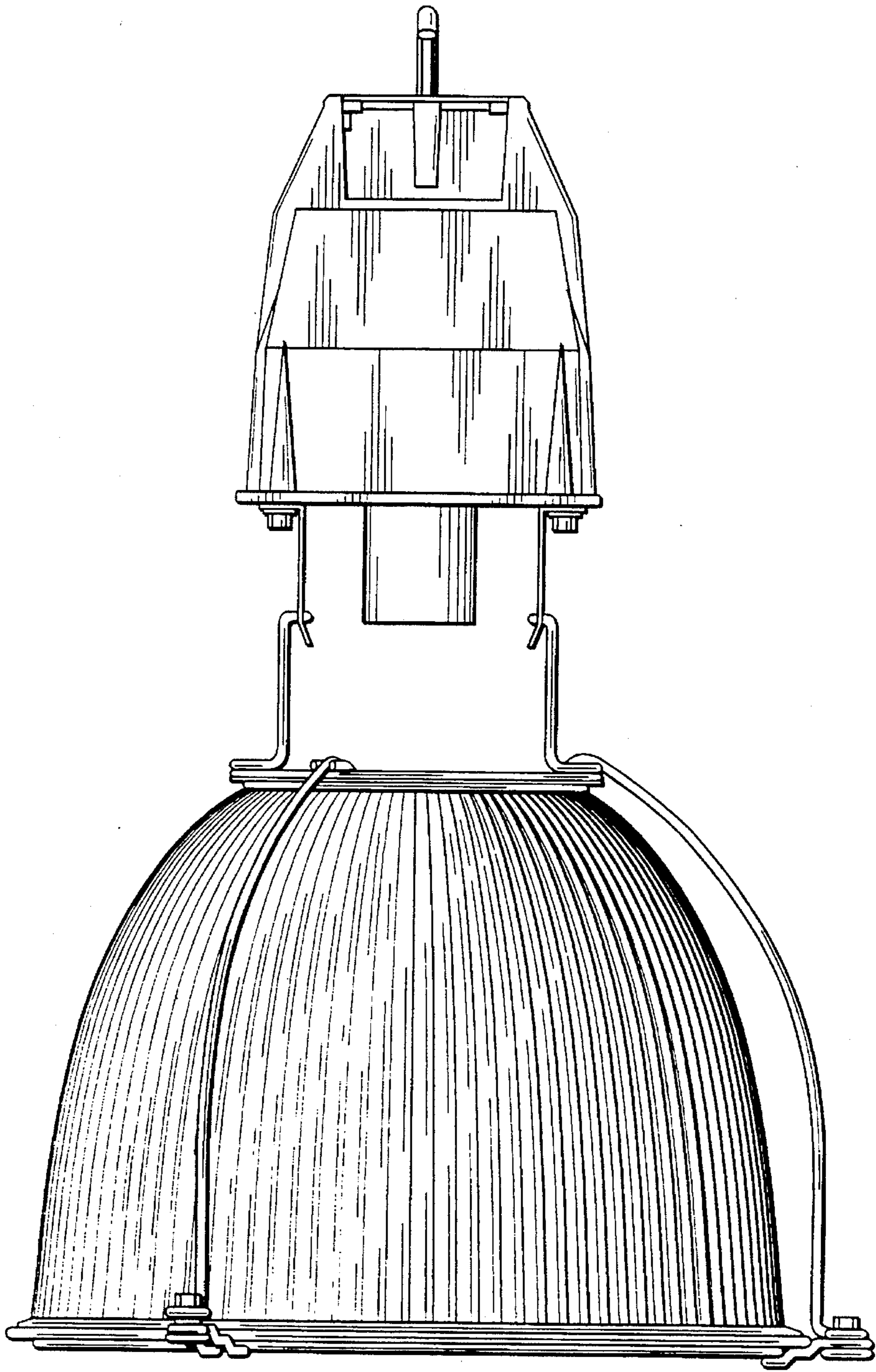


Fig. 2

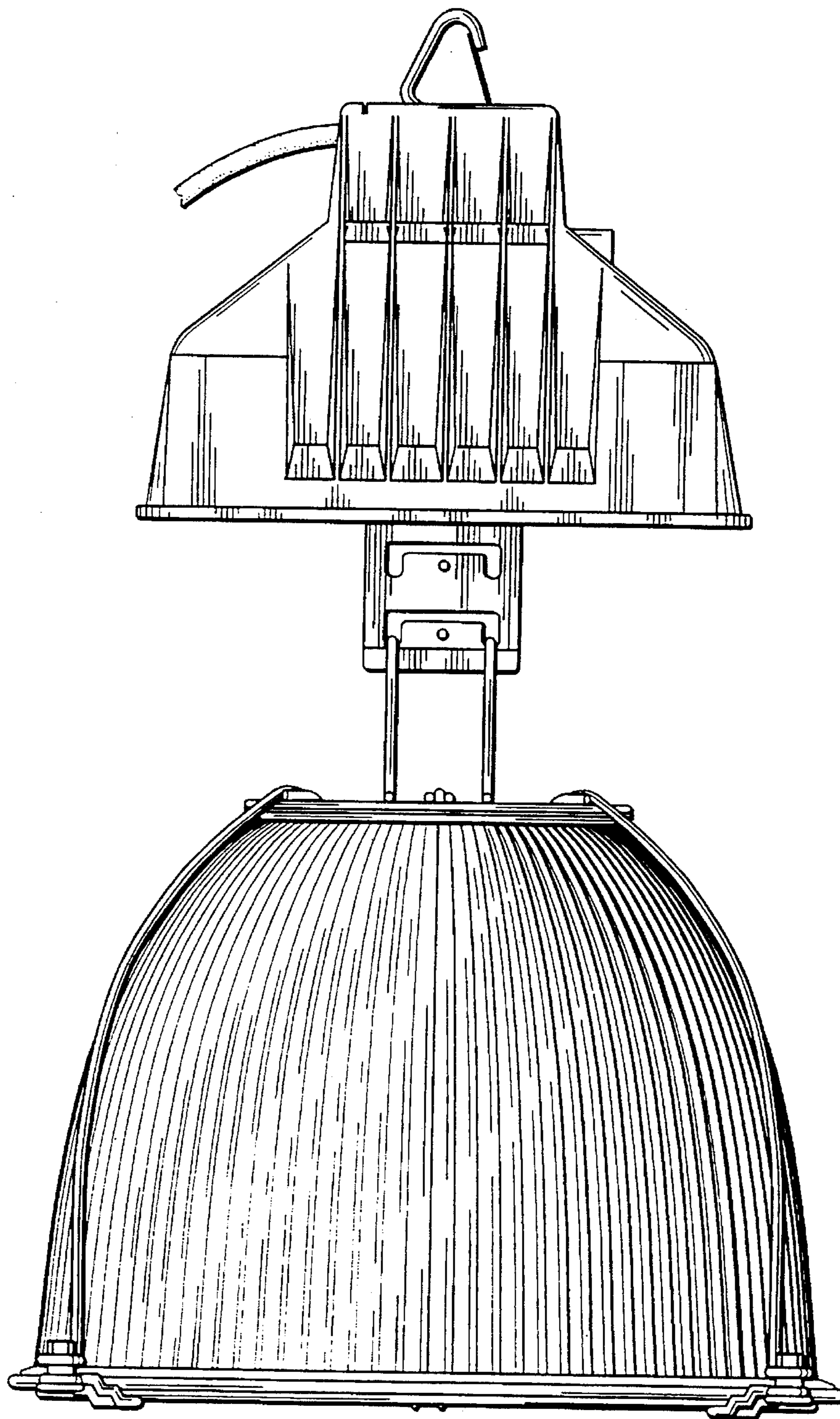


Fig. 3

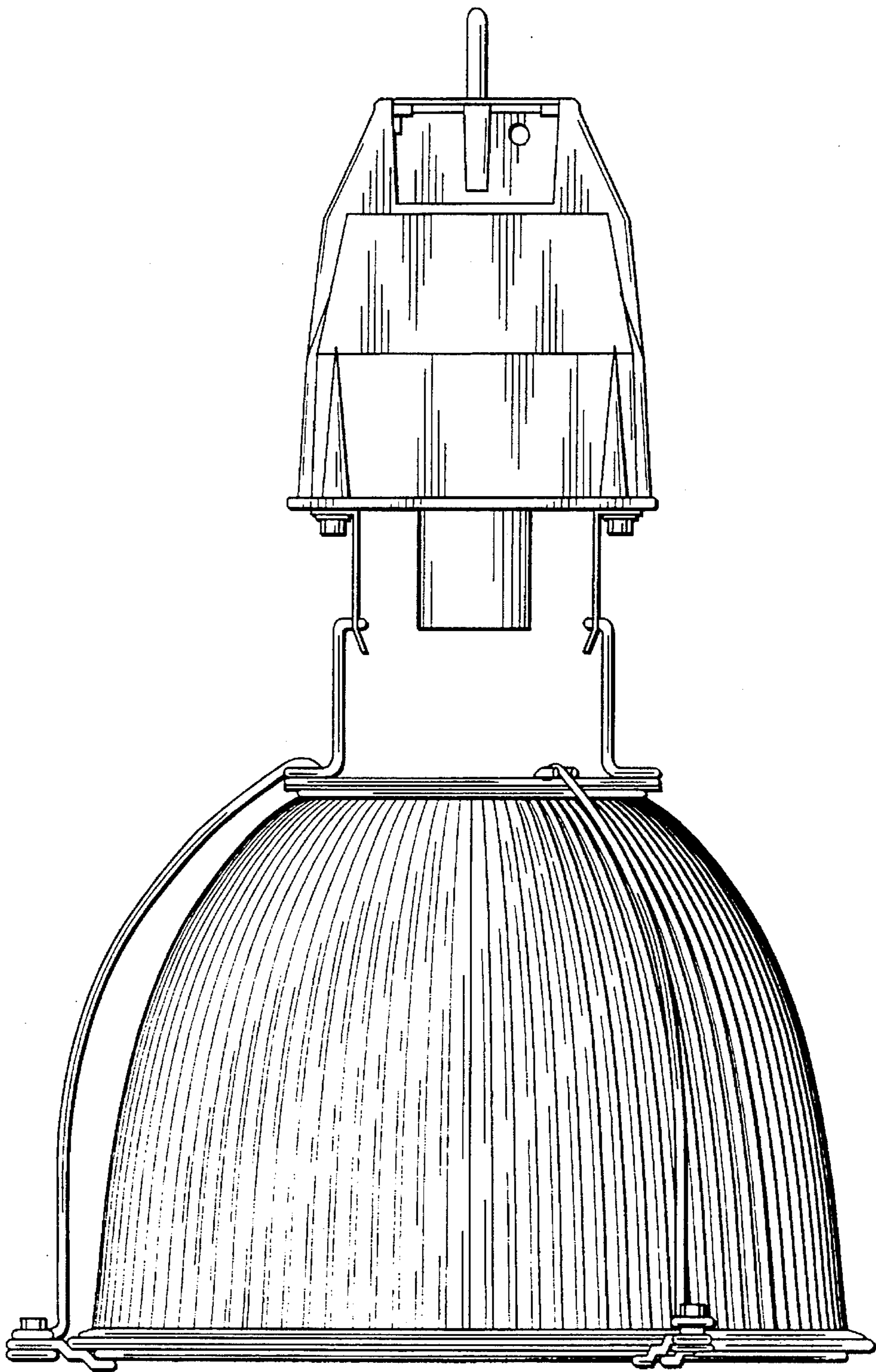


Fig. 4

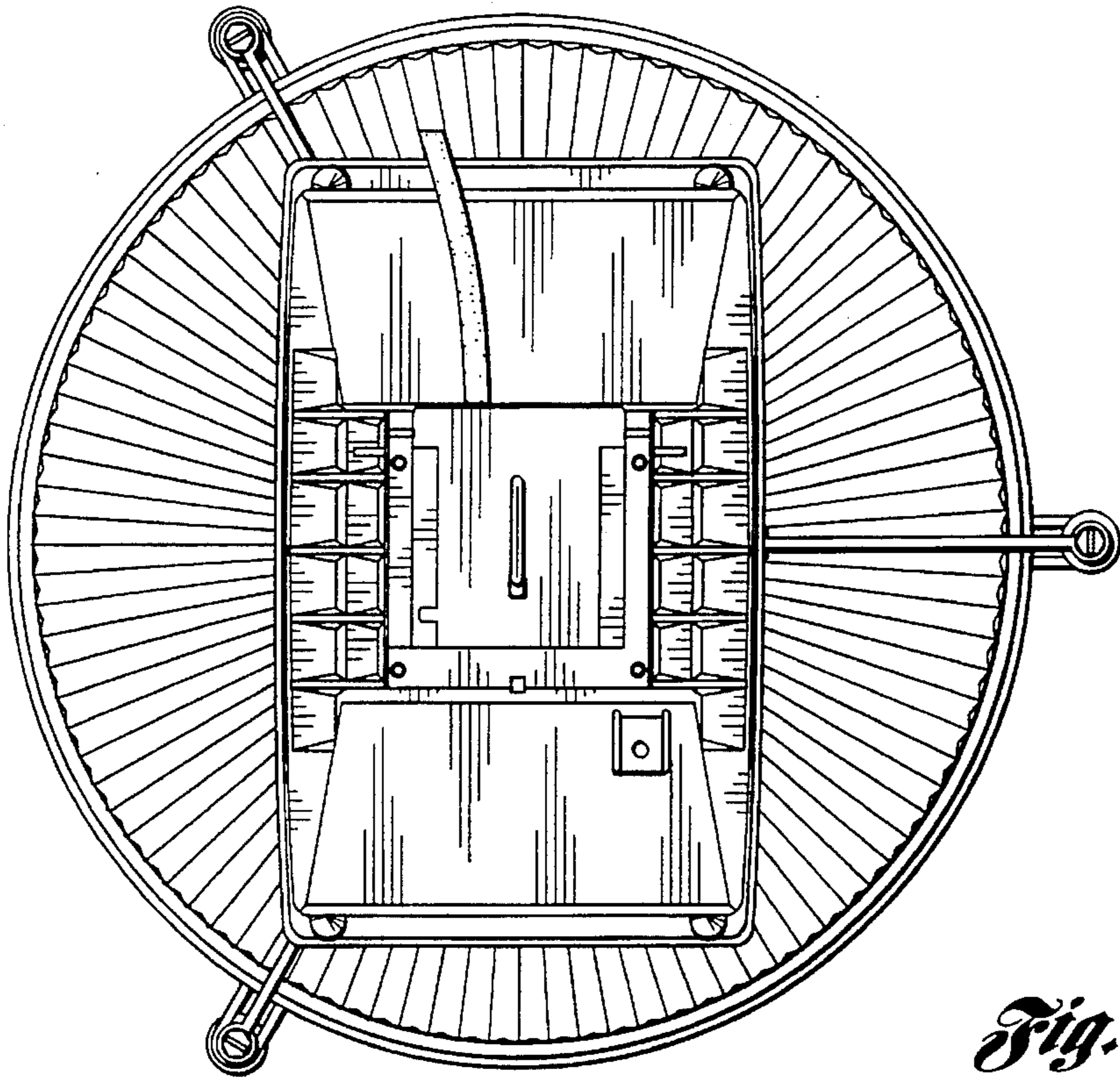


Fig. 5

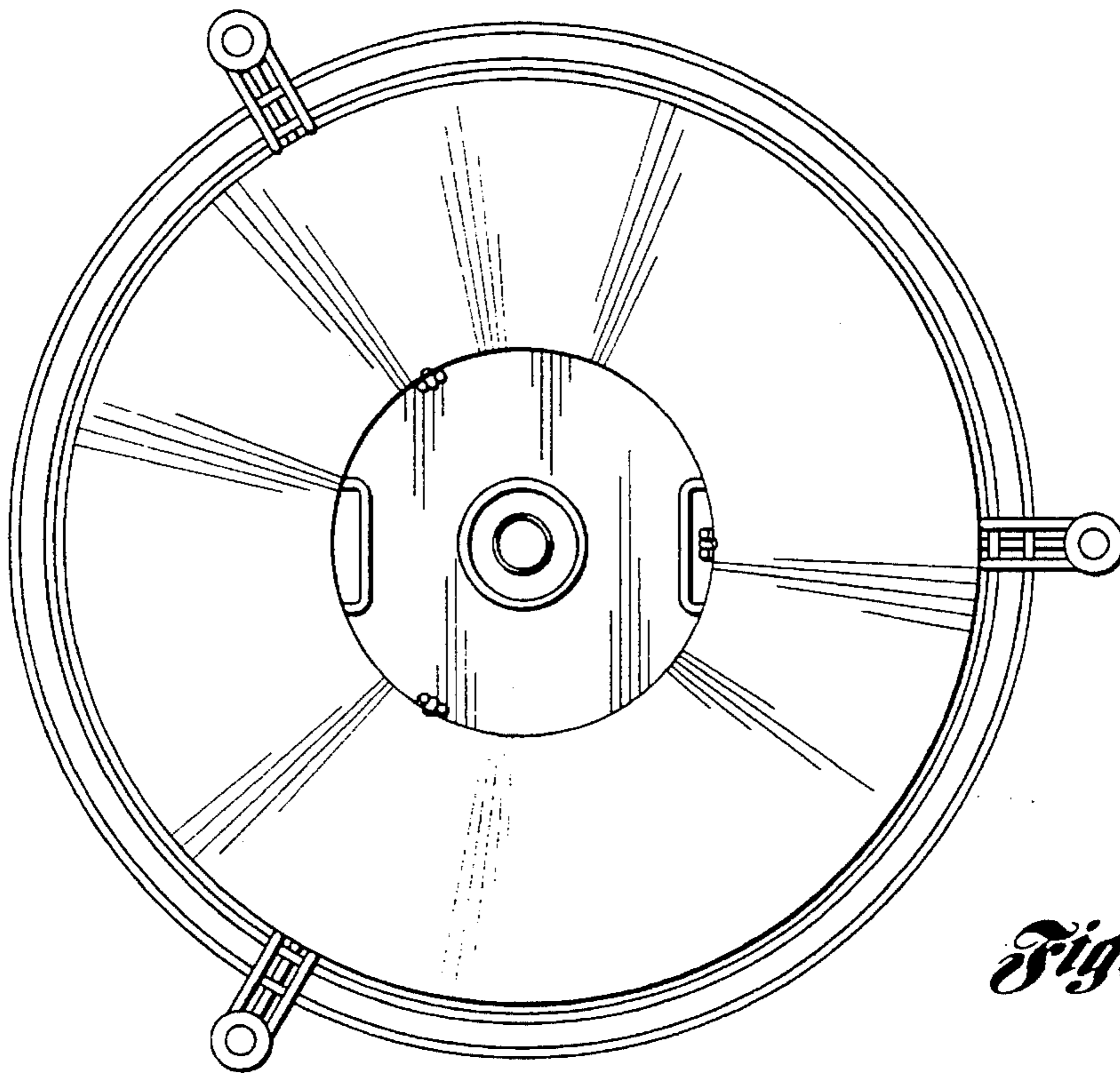


Fig. 6

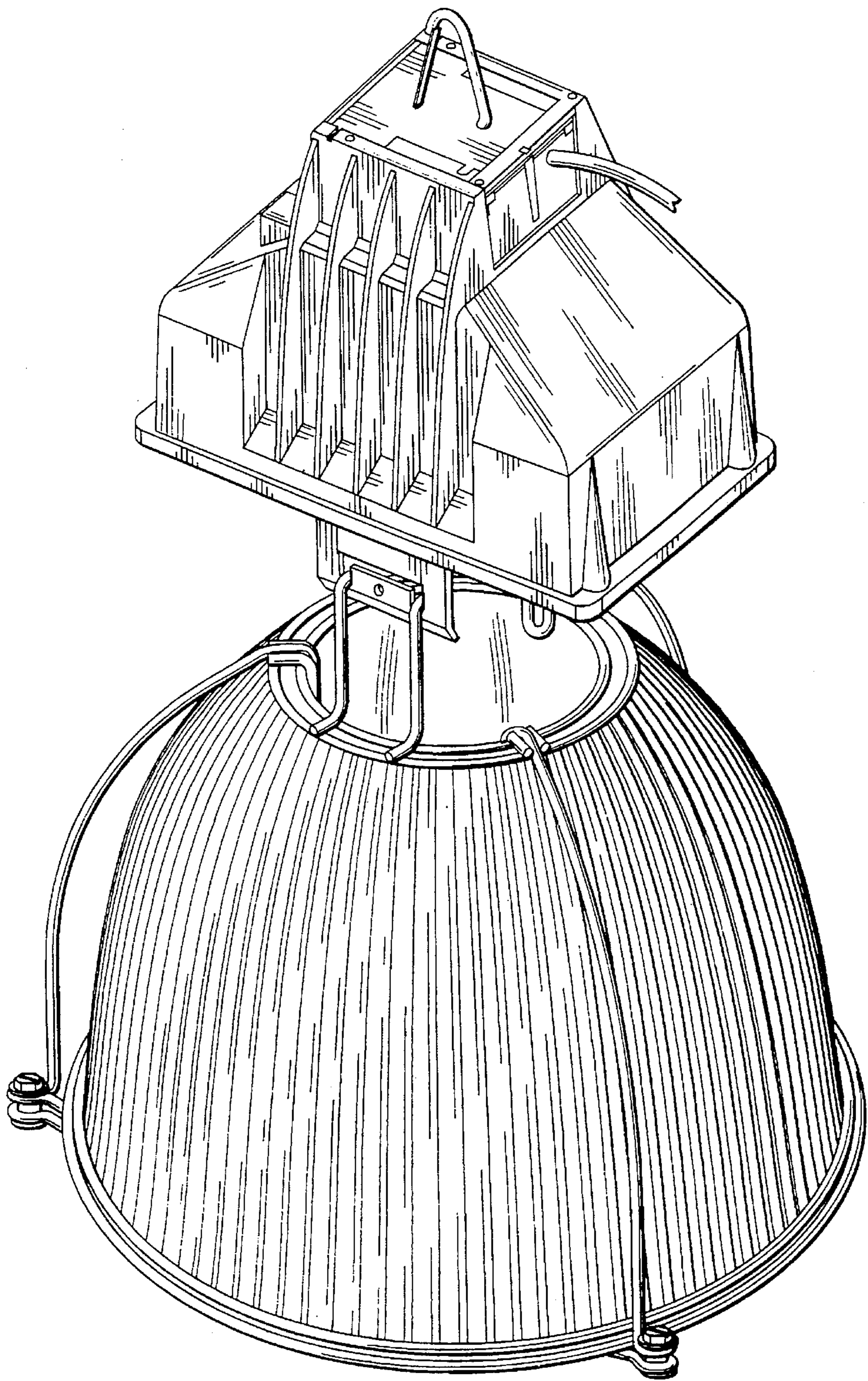


Fig. 7